



US00D436065S

(12) **United States Design Patent**
Peng

(10) **Patent No.:** **US D436,065 S**

(45) **Date of Patent:** **** Jan. 9, 2001**

(54) **TRAILER GOLF-BALL HITCH**

(76) Inventor: **Vincent Peng**, 14317 E. Don Julian Rd., Industry, CA (US) 91746

(**) Term: **14 Years**

(21) Appl. No.: **29/127,234**

(22) Filed: **Jul. 31, 2000**

(51) **LOC (7) Cl.** **12-16**

(52) **U.S. Cl.** **D12/162**

(58) **Field of Search** D12/162, 400,
D12/199; D9/307, 441, 451; 280/507, 511,
477, 490.1; D29/106; 211/14; D21/709,
708

(56) **References Cited**

U.S. PATENT DOCUMENTS

D. 68,391	*	10/1925	Miller	D12/199
D. 319,170	*	8/1991	Franke	D21/709 X
D. 342,472	*	12/1993	Harper	D12/162
D. 375,065	*	10/1996	Duvernay et al.	D12/162
D. 397,175	*	8/1998	Sanchez	D21/709
D. 401,194	*	11/1998	Harwood	D12/162

D. 401,648	*	11/1998	Kasasima et al.	D21/709
D. 402,599	*	12/1998	Adelaar	D12/162
D. 402,601	*	12/1998	Julian	D12/162
D. 402,719	*	12/1998	Kasasima	D21/709
D. 404,349	*	1/1999	Julian	D12/162
D. 404,696	*	1/1999	Julian	D12/162
D. 409,537	*	5/1999	Adelaar	D12/162
D. 415,986	*	11/1999	Stech	D12/162

* cited by examiner

Primary Examiner—Stacia Cadmus

(74) *Attorney, Agent, or Firm*—Albert O. Cota

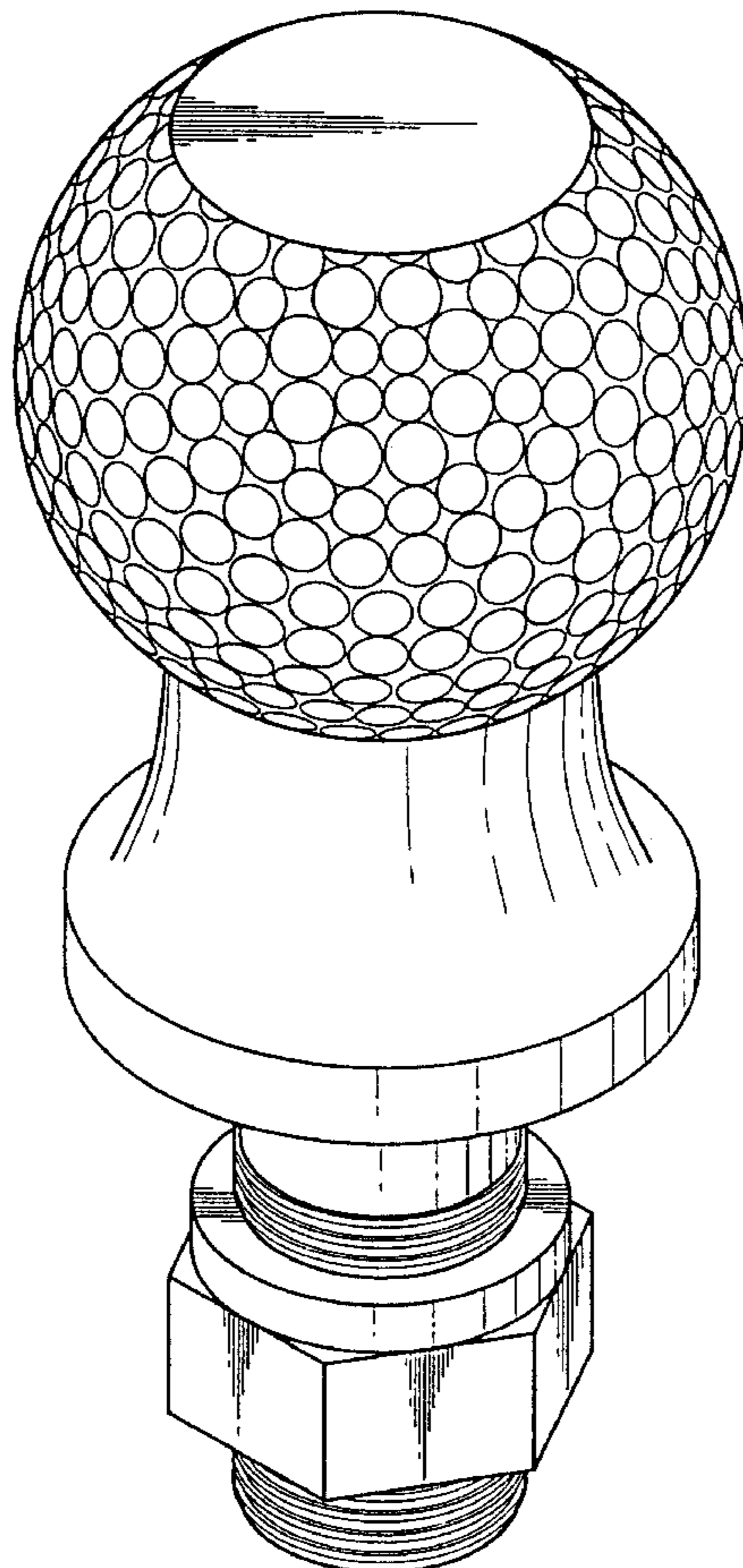
(57) **CLAIM**

The ornamental design for a trailer golf-ball hitch, as shown and described.

DESCRIPTION

FIG. 1 is a perspective view of a trailer golf-ball hitch showing my new design; FIG. 2 is a reduced left-side elevational view thereof, all other side elevational views being mirror images thereof; FIG. 3 is a reduced top plan view thereof; and, FIG. 4 is a reduced bottom plan view thereof.

1 Claim, 2 Drawing Sheets



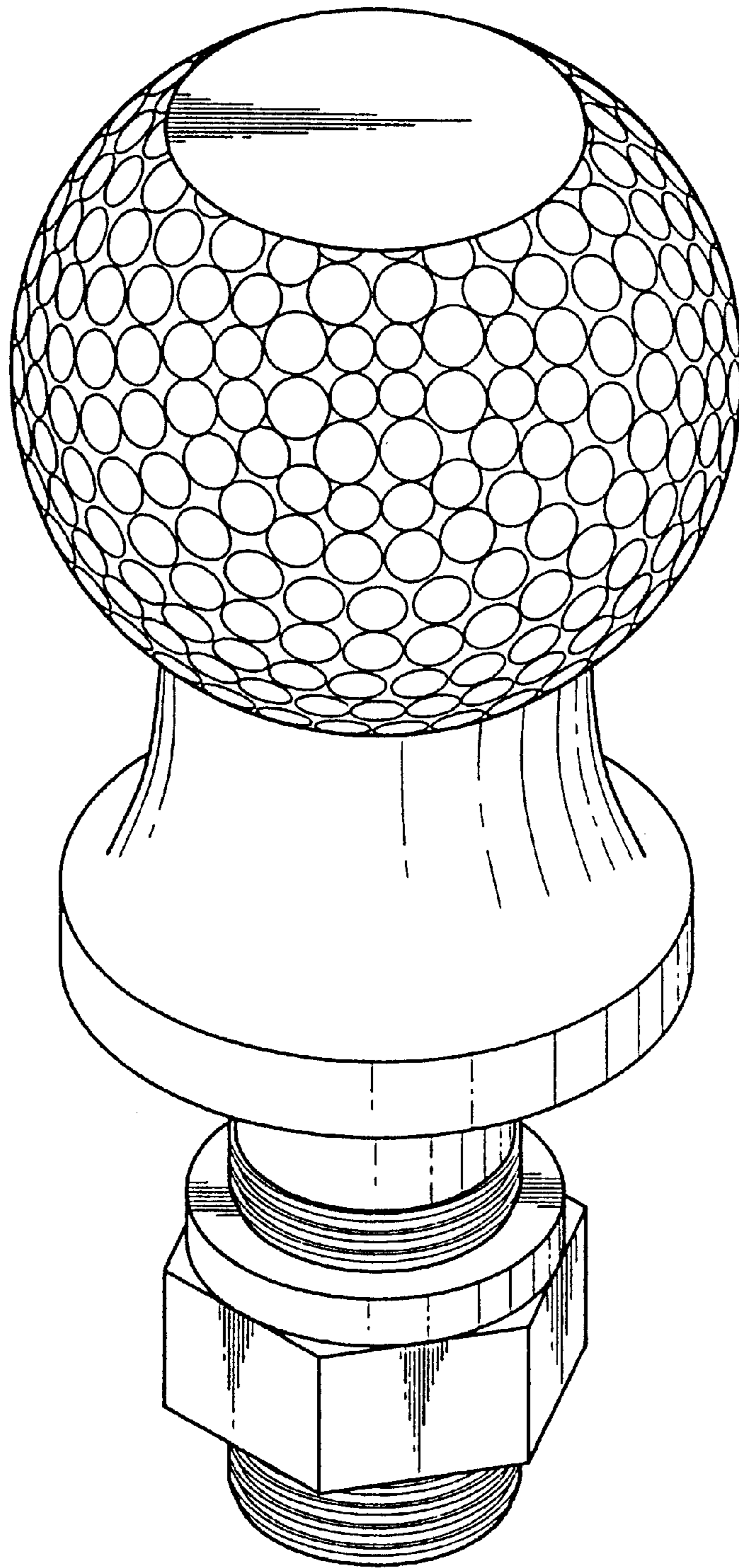


FIG. 1

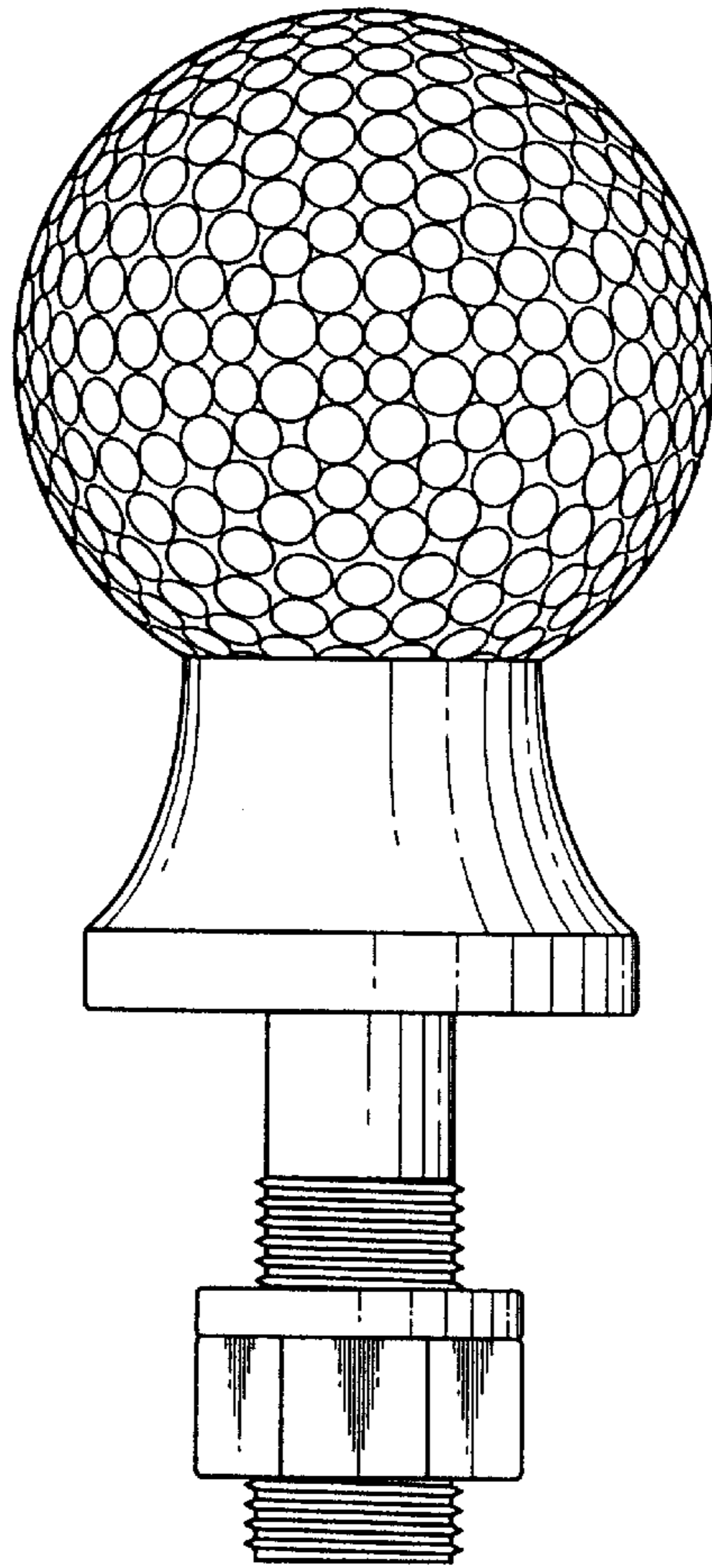


FIG. 2

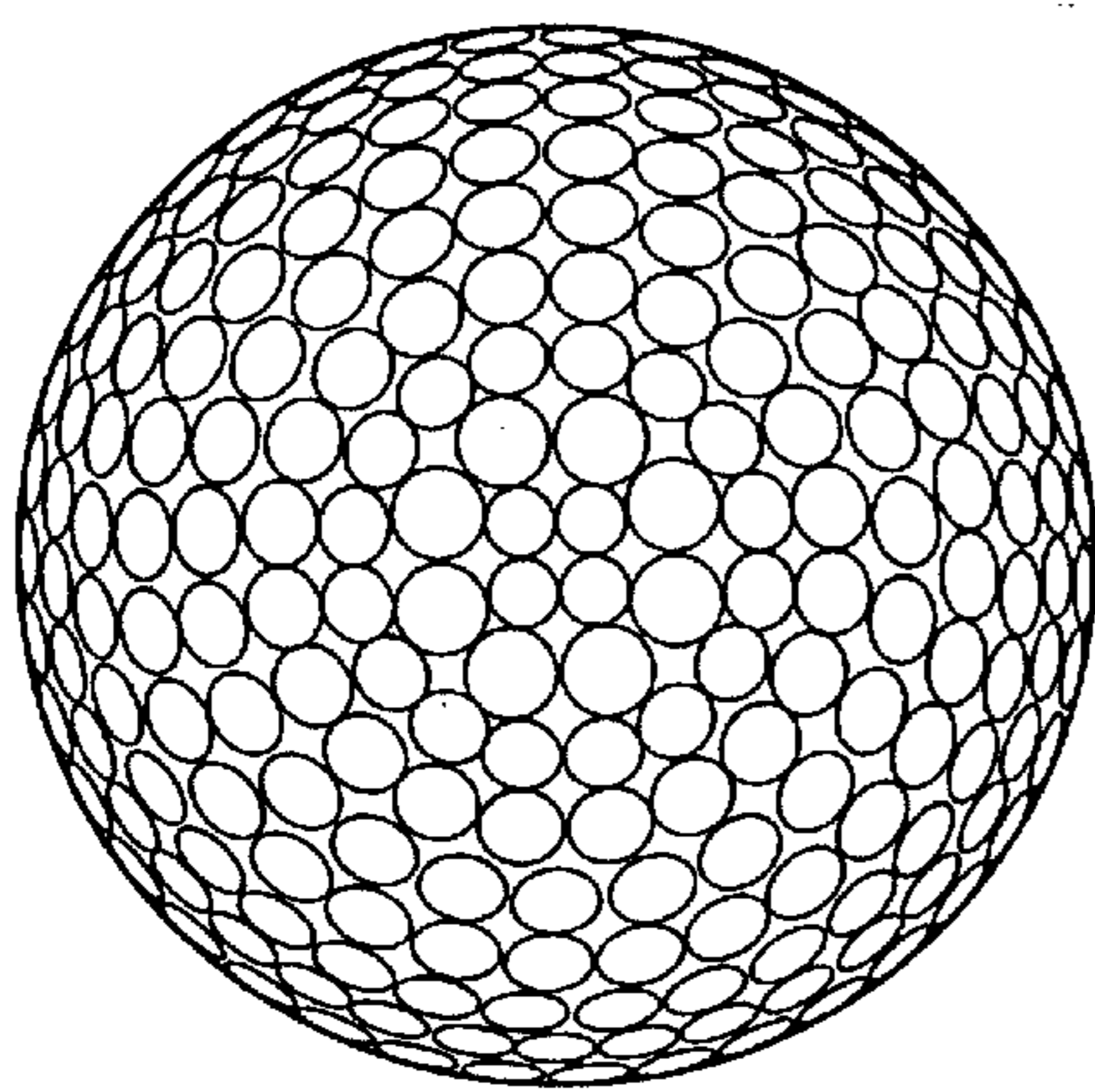


FIG. 3

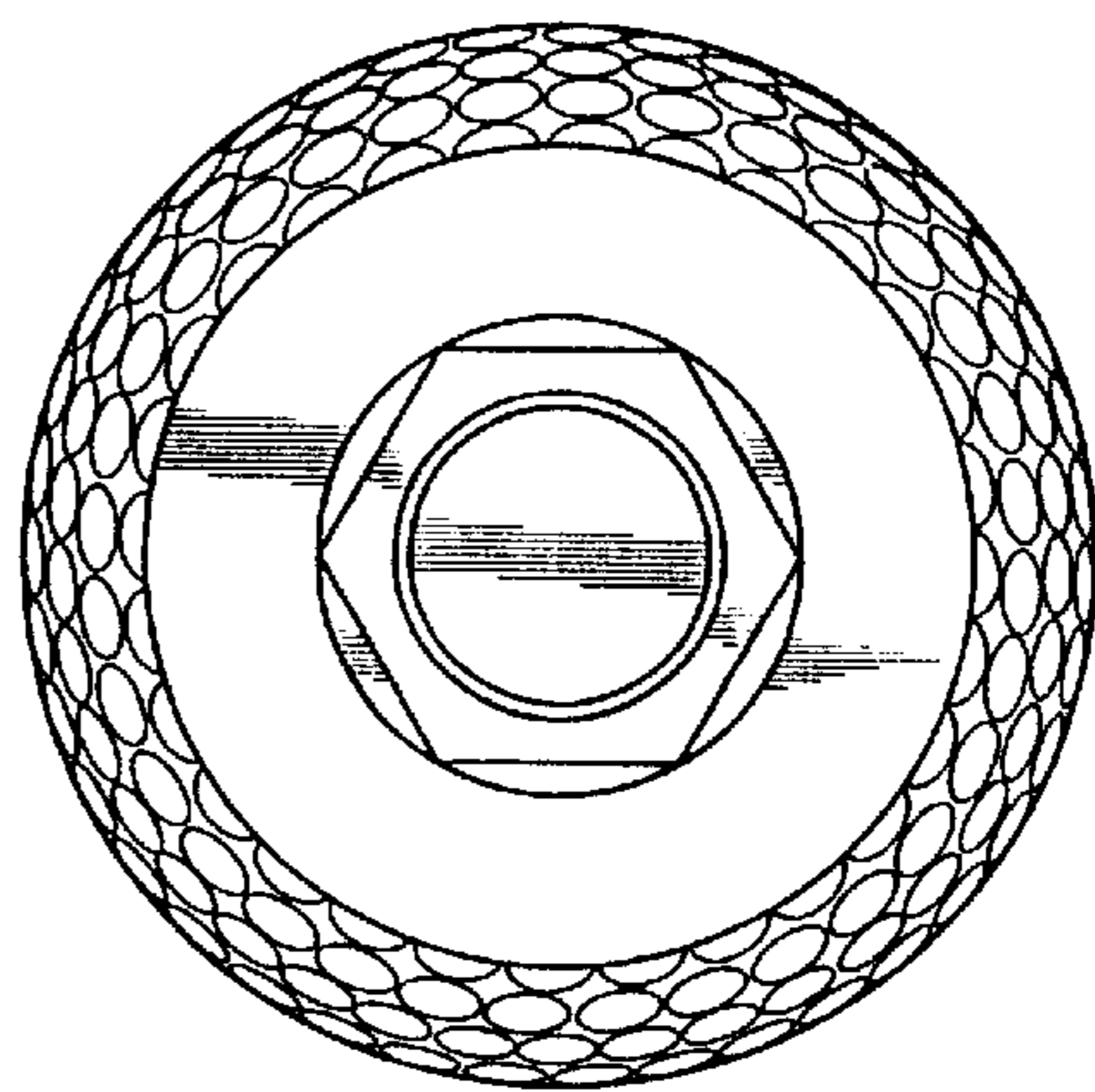


FIG. 4