



US00D436064S

(12) **United States Design Patent**
Niswanger

(10) **Patent No.:** **US D436,064 S**

(45) **Date of Patent:** **** Jan. 9, 2001**

(54) **UNIVERSAL TRAILER LOCK**
(75) Inventor: **Raymond A. Niswanger**, Granbury, TX (US)

3,831,982 * 8/1974 Bernhardt et al. 280/511
5,052,203 * 10/1991 Van Cuyk 70/232
5,735,539 * 4/1998 Kravitz 280/506
5,794,961 * 8/1998 Niswanger 280/507

(73) Assignee: **Blaylock Industries, Inc.**, Fort Worth, TX (US)

* cited by examiner

(**) Term: **14 Years**

Primary Examiner—Stacia Cadmus
(74) *Attorney, Agent, or Firm*—Felsman Bradley Vaden Gunter & Dillon, LLP; James E. Bradley

(21) Appl. No.: **29/113,999**

(57) **CLAIM**

(22) Filed: **Nov. 16, 1999**

The ornamental design for a universal trailer lock, as shown and described.

(51) **LOC (7) Cl.** **12-16**

(52) **U.S. Cl.** **D12/162**

(58) **Field of Search** D12/162, 400; D8/330, 331, 336, 343, 345-346; 70/232, 237; D15/28; 224/519, 520; 280/406.2, 433, 415.1, 446.1, 480, 500, 504, 511, 507, 506, 491.1-491.5

DESCRIPTION

(56) **References Cited**

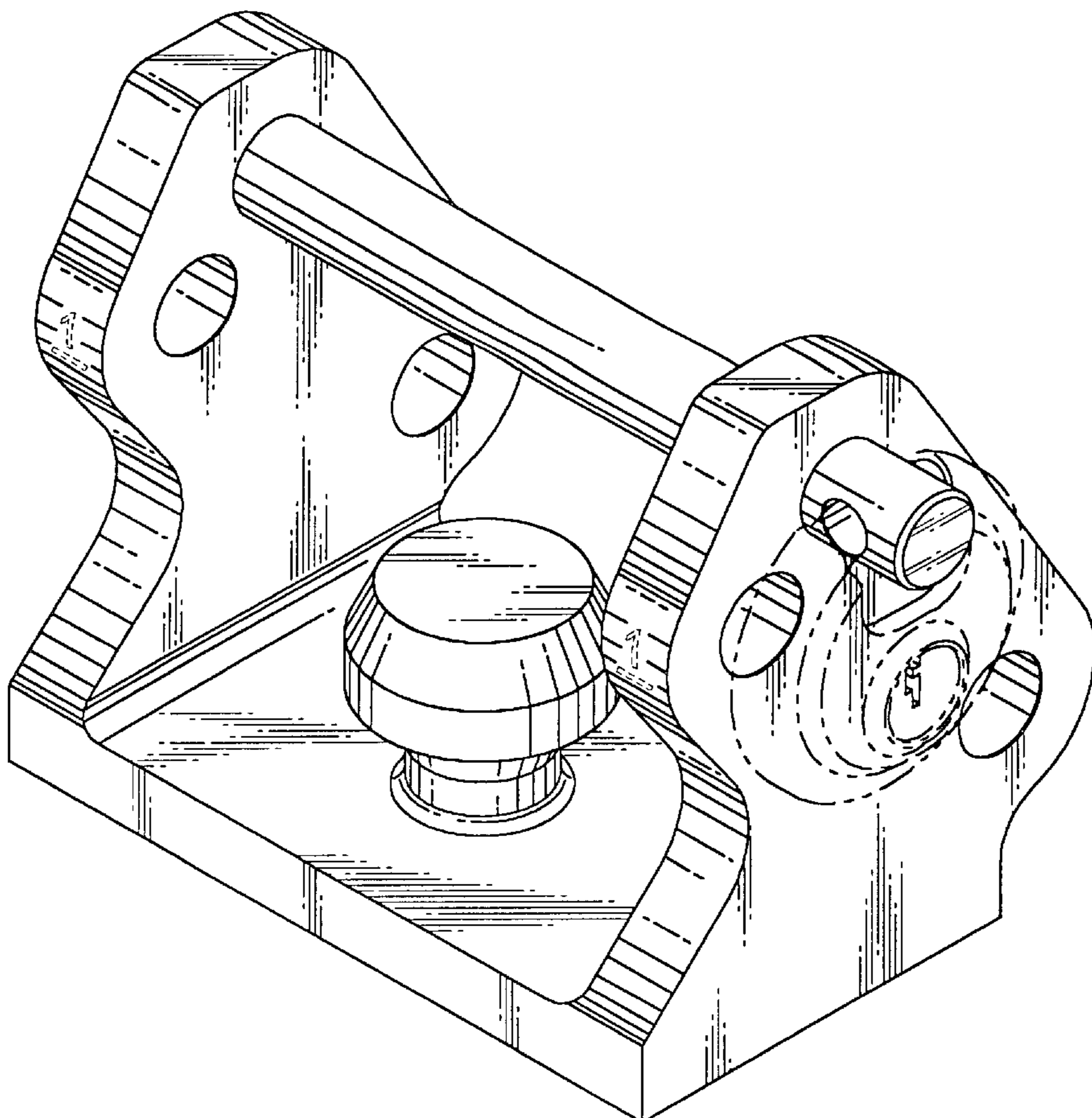
U.S. PATENT DOCUMENTS

- D. 351,604 * 10/1994 Eudy D12/162 X
- D. 402,602 * 12/1998 Niswanger D12/162
- D. 419,122 * 1/2000 Stech D12/162
- 3,650,130 * 3/1972 Thompson 70/232 X

FIG. 1 is a perspective view of the universal trailer lock of the present invention;
FIG. 2 is a left side view thereof;
FIG. 3 is a right side view thereof;
FIG. 4 is a front view thereof;
FIG. 5 is a rear view thereof;
FIG. 6 is a top view thereof; and,
FIG. 7 is a bottom view thereof.

The broken line showing of environment is for illustrative purposes only and forms no part of the claimed design.

1 Claim, 3 Drawing Sheets



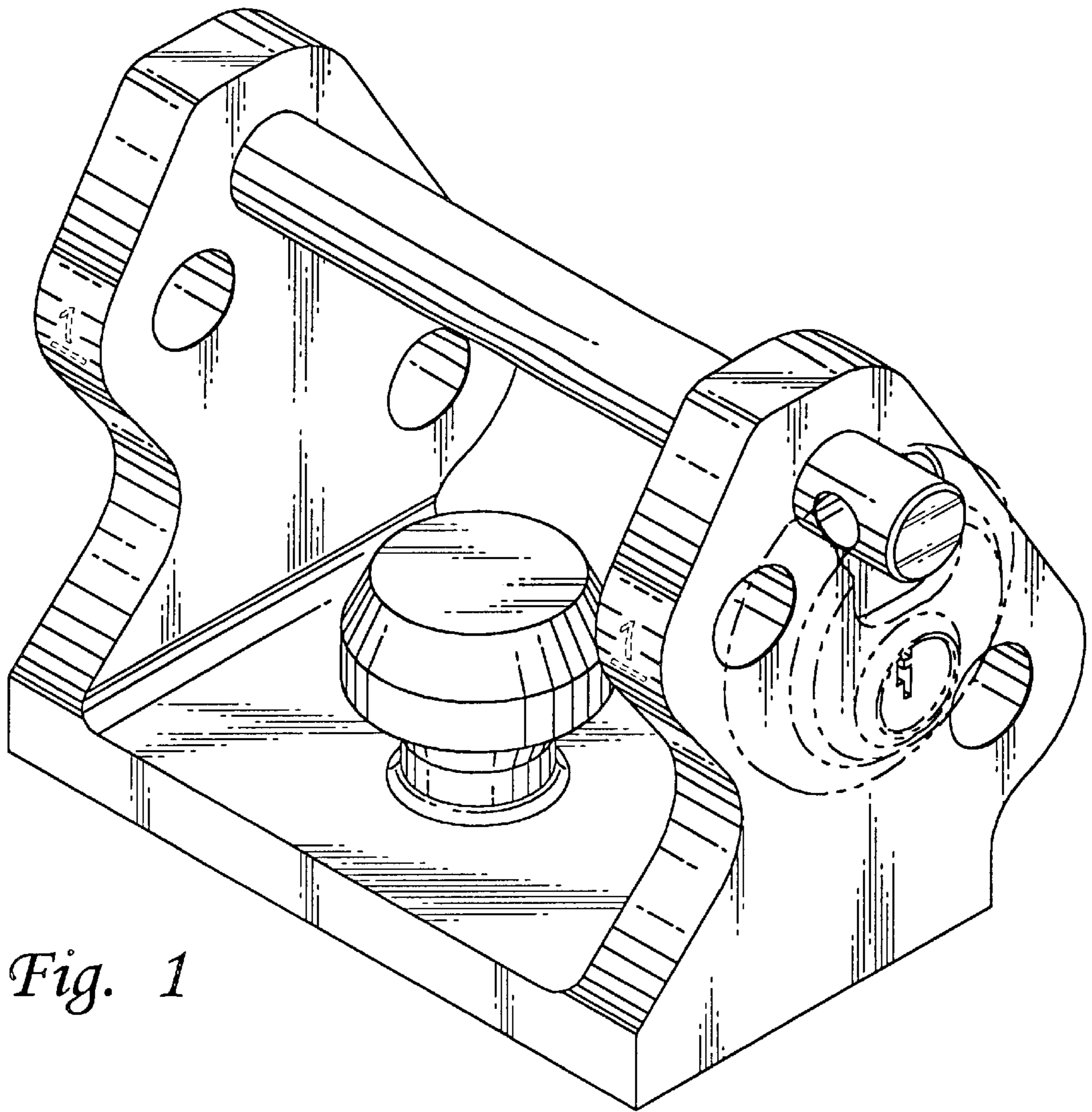


Fig. 1

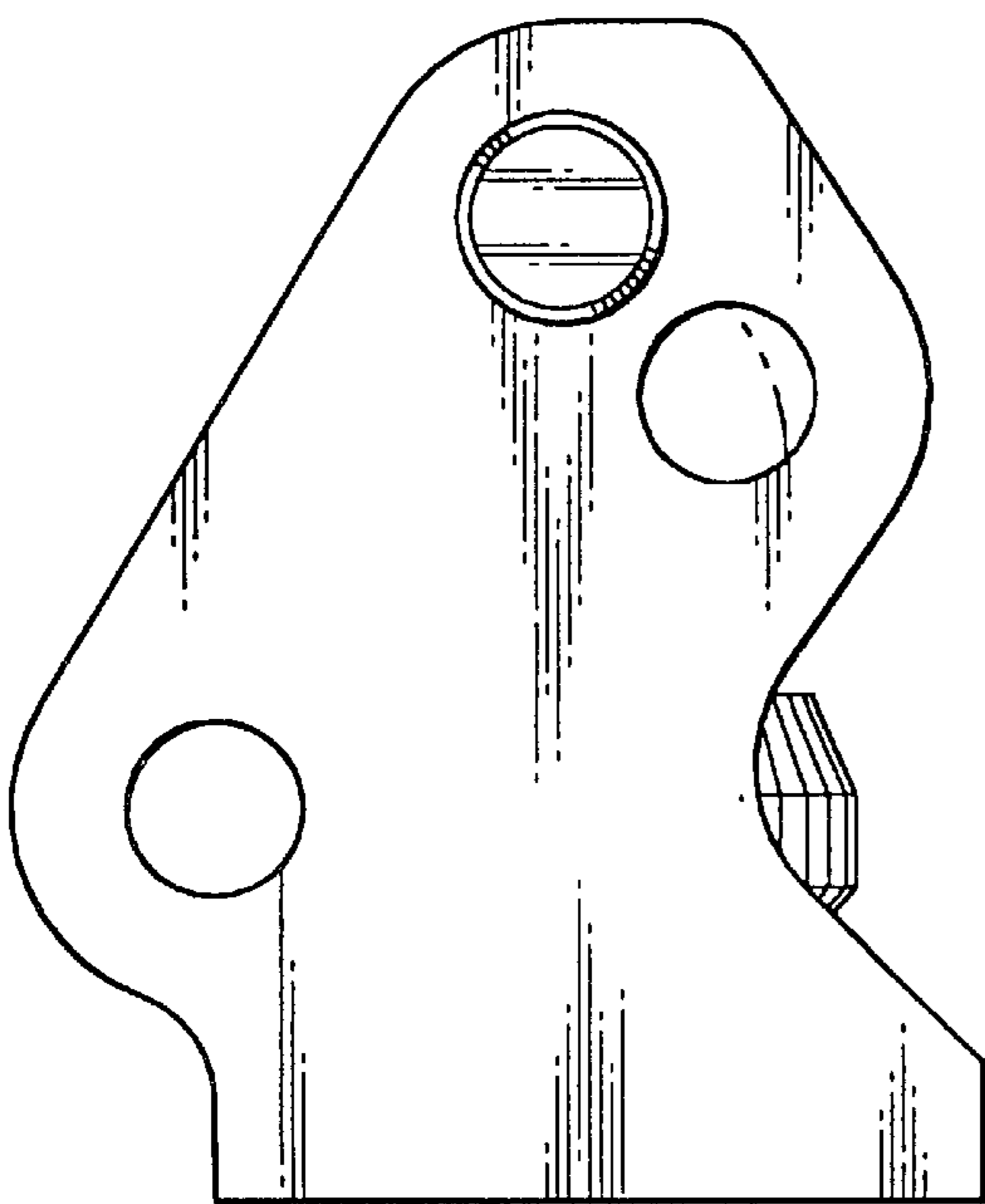


Fig. 2

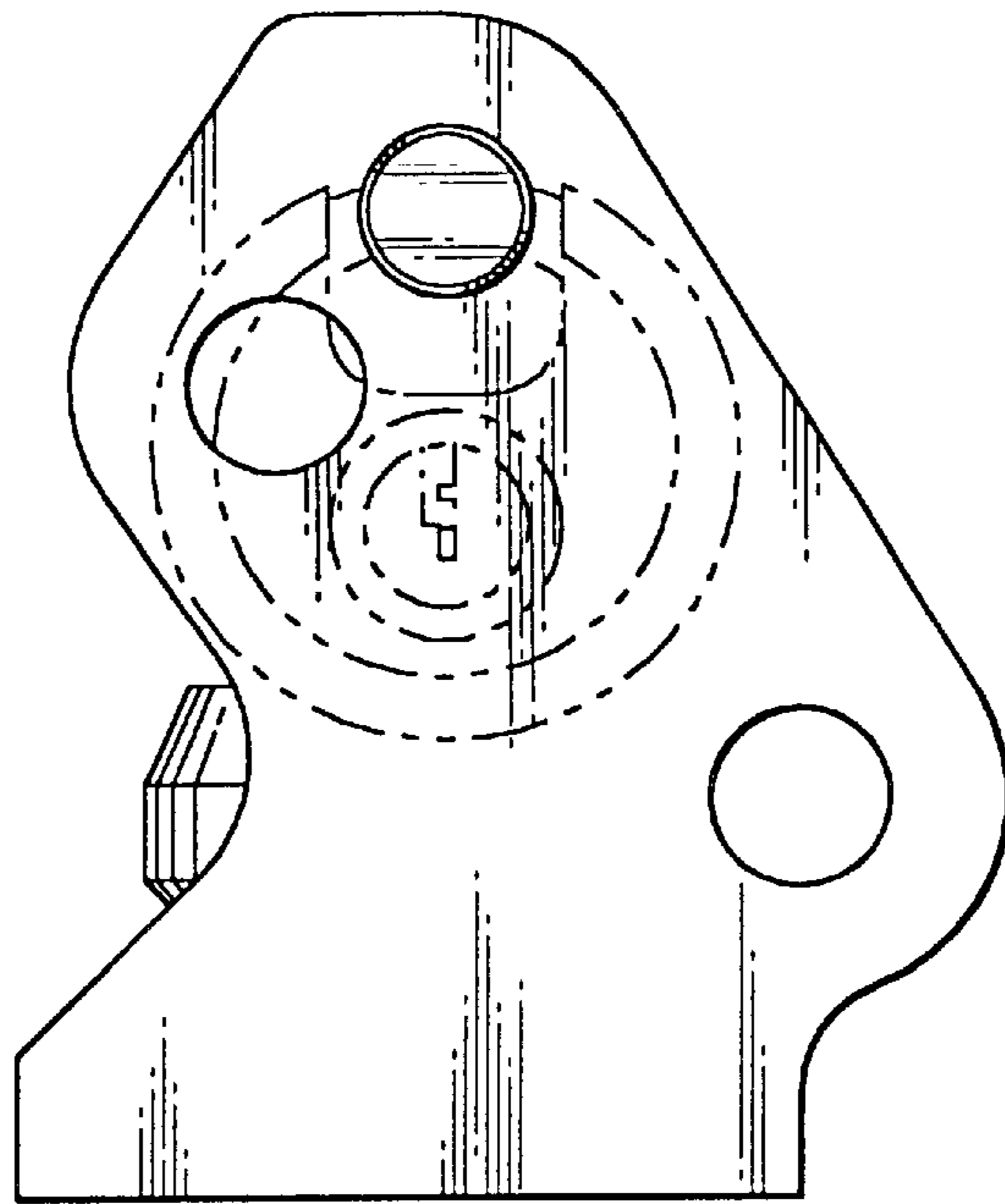


Fig. 3

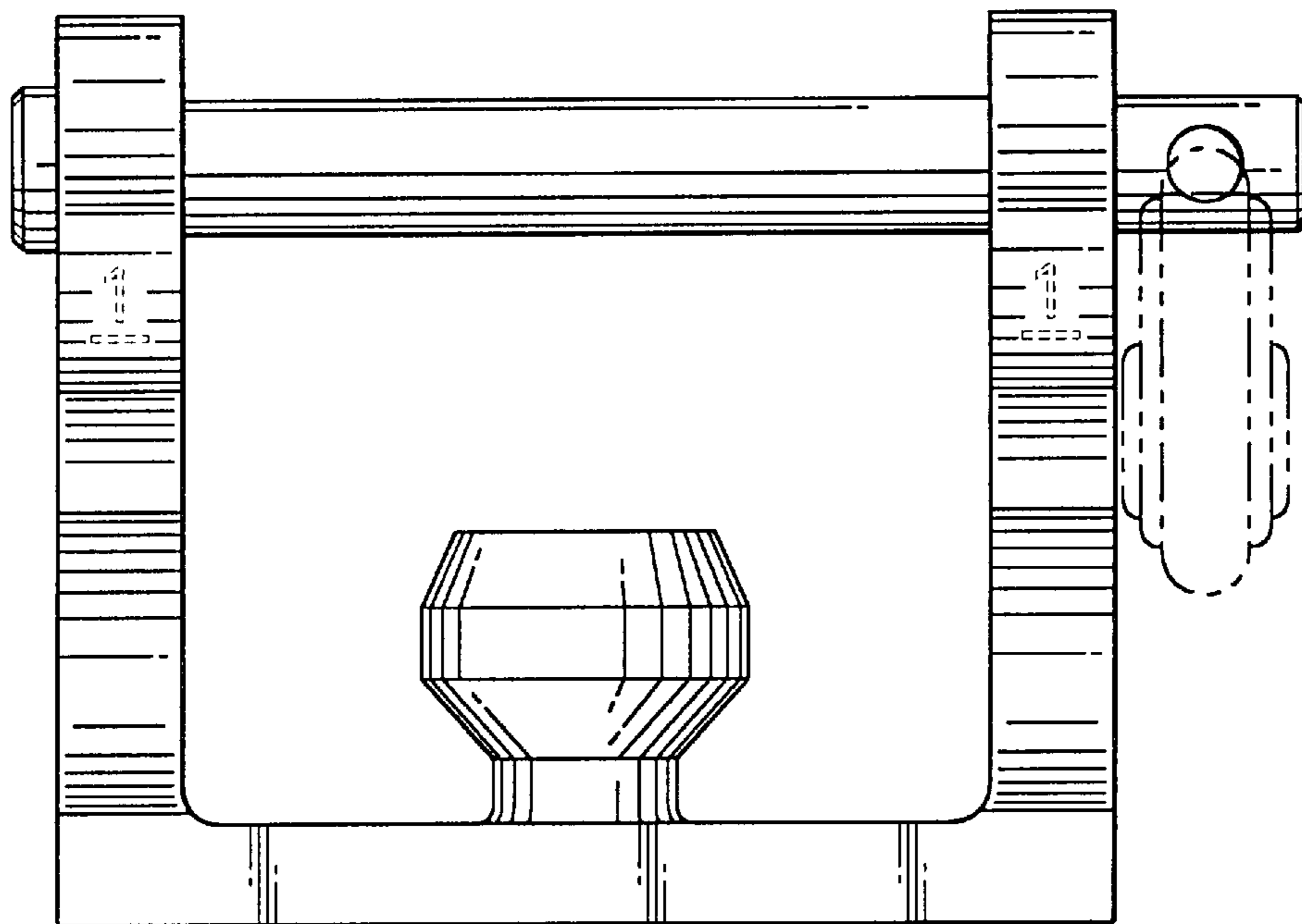


Fig. 4

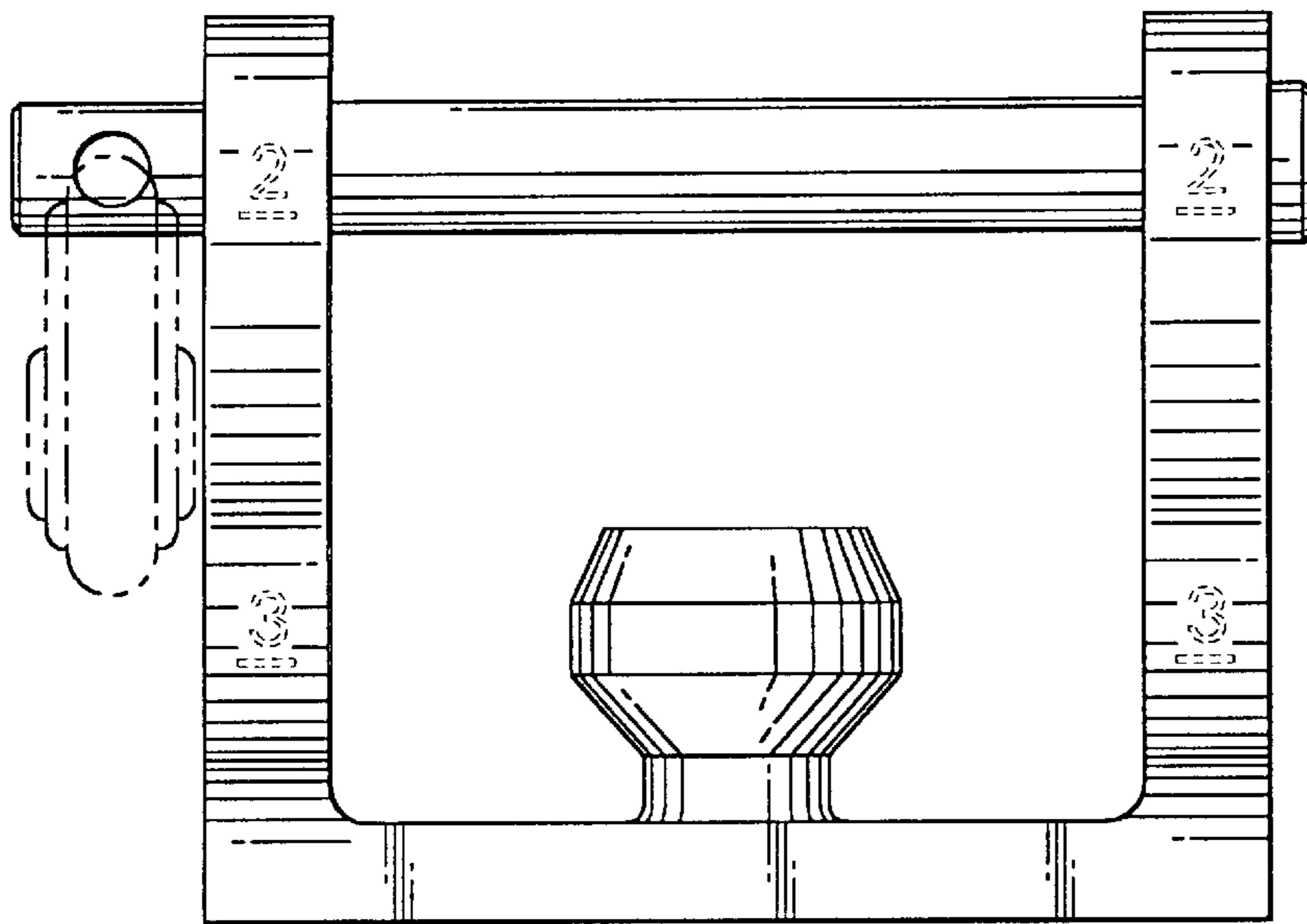


Fig. 5

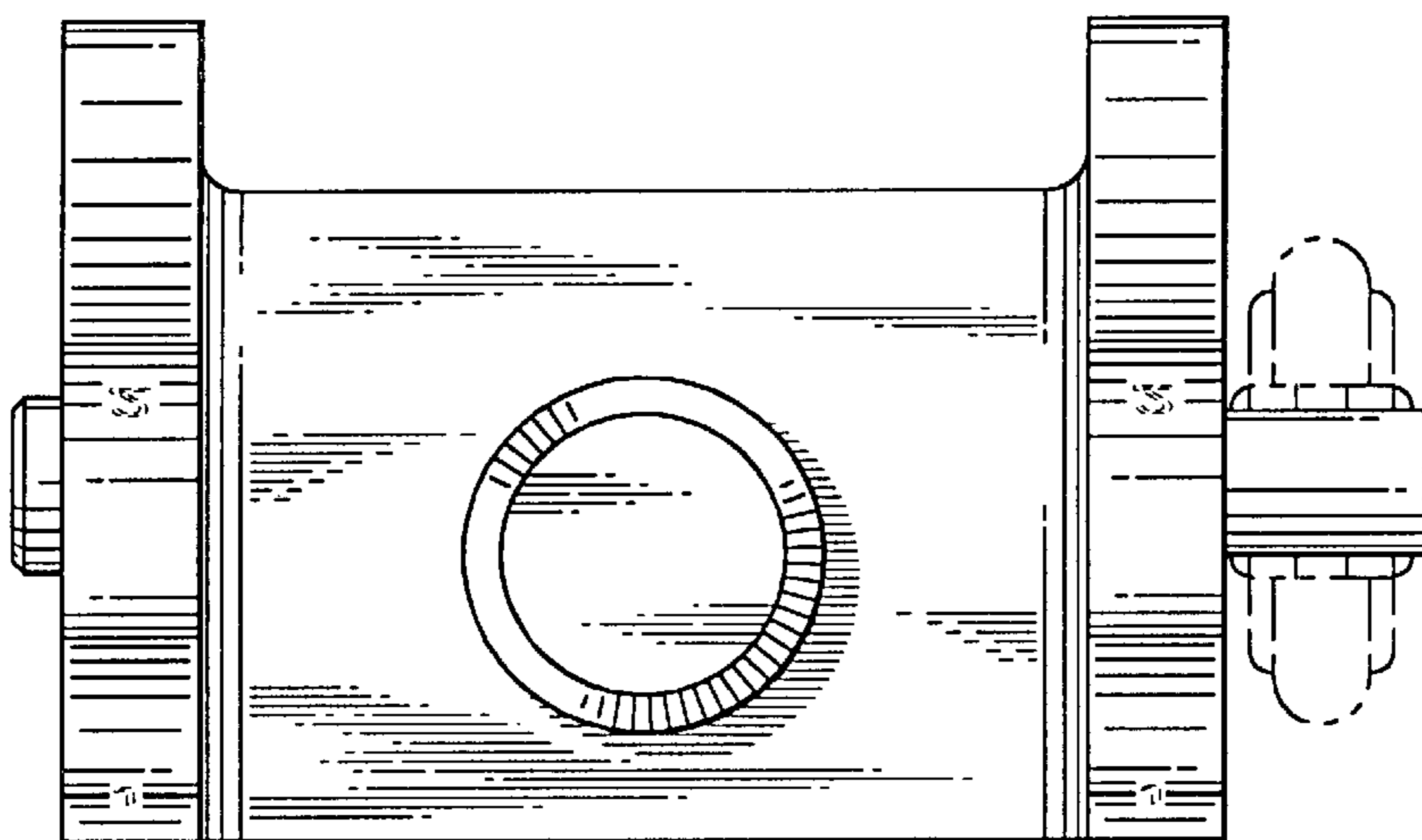


Fig. 6

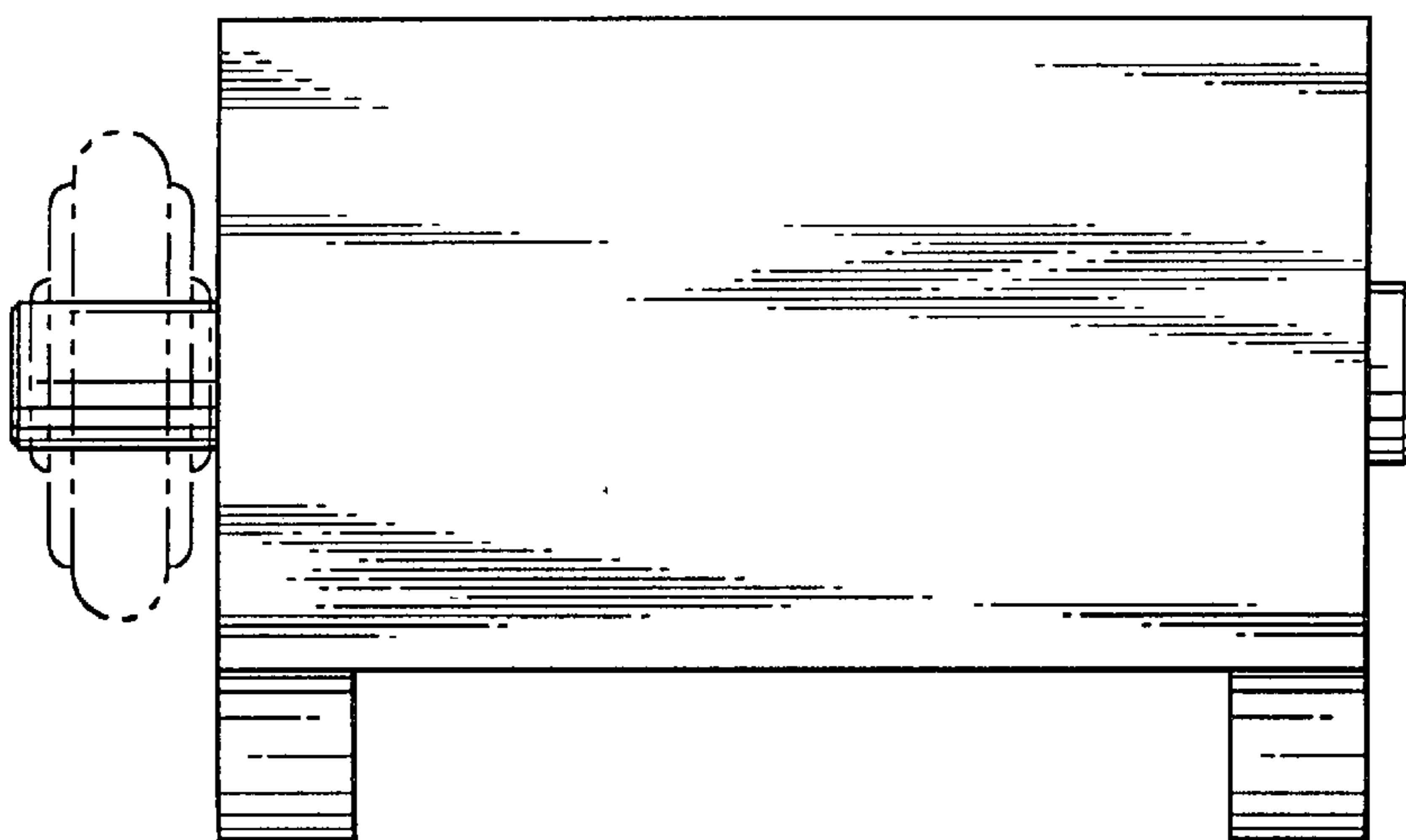


Fig. 7