



US00D436060S

(12) **United States Design Patent**  
**Pfeiffer**

(10) **Patent No.:** **US D436,060 S**

(45) **Date of Patent:** **\*\* Jan. 9, 2001**

(54) **SURFACE CONFIGURATION OF A VEHICLE BODY AND/OR TOY**

**DESCRIPTION**

(75) Inventor: **Peter Pfeiffer**, Böblingen (DE)

(73) Assignee: **DaimlerChrysler AG**, Stuttgart (DE)

(\*\*) Term: **14 Years**

(21) Appl. No.: **29/121,360**

(22) Filed: **Apr. 4, 2000**

(51) **LOC (7) Cl.** ..... **12-08**

(52) **U.S. Cl.** ..... **D12/91**

(58) **Field of Search** ..... D12/90-92; 296/185

(56) **References Cited**

**U.S. PATENT DOCUMENTS**

- D. 376,563 \* 12/1996 Sacco et al. .... D12/91
- D. 378,074 \* 2/1997 Sacco et al. .... D12/91
- D. 407,349 \* 3/1999 Murakani et al. .... D12/91
- D. 428,584 \* 7/2000 Warkuss ..... D12/91

\* cited by examiner

*Primary Examiner*—Melody N. Brown

(74) *Attorney, Agent, or Firm*—Evenson, McKeown, Edwards & Lenahan, P.L.L.C.

(57) **CLAIM**

The ornamental design for a surface configuration of a vehicle body and/or toy, as shown and described.

FIG. 1 is a front, left perspective view of a surface configuration of a vehicle body and/or toy according to my novel design;

FIG. 2 is a front, right perspective view of the surface configuration of a vehicle body and/or toy according to my novel design;

FIG. 3 is a rear, left perspective view of the surface configuration of a vehicle body and/or toy according to my novel design;

FIG. 4 is a rear, right perspective view of the surface configuration of a vehicle body and/or toy according to my novel design;

FIG. 5 is a left side view of the surface configuration of a vehicle body and/or toy according to my novel design;

FIG. 6 is a right side view of the surface configuration of a vehicle body and/or toy according to my novel design;

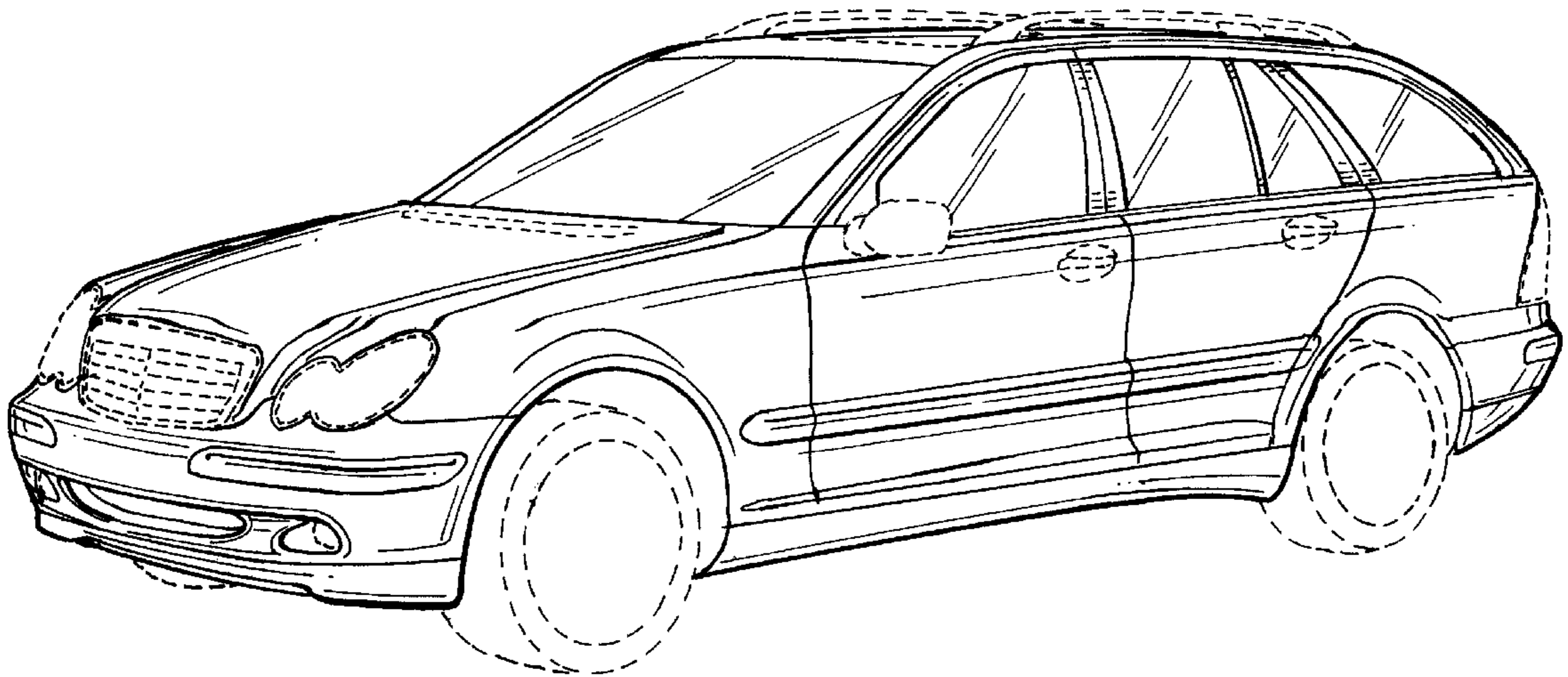
FIG. 7 is a front view of the surface configuration of a vehicle body and/or toy according to my novel design;

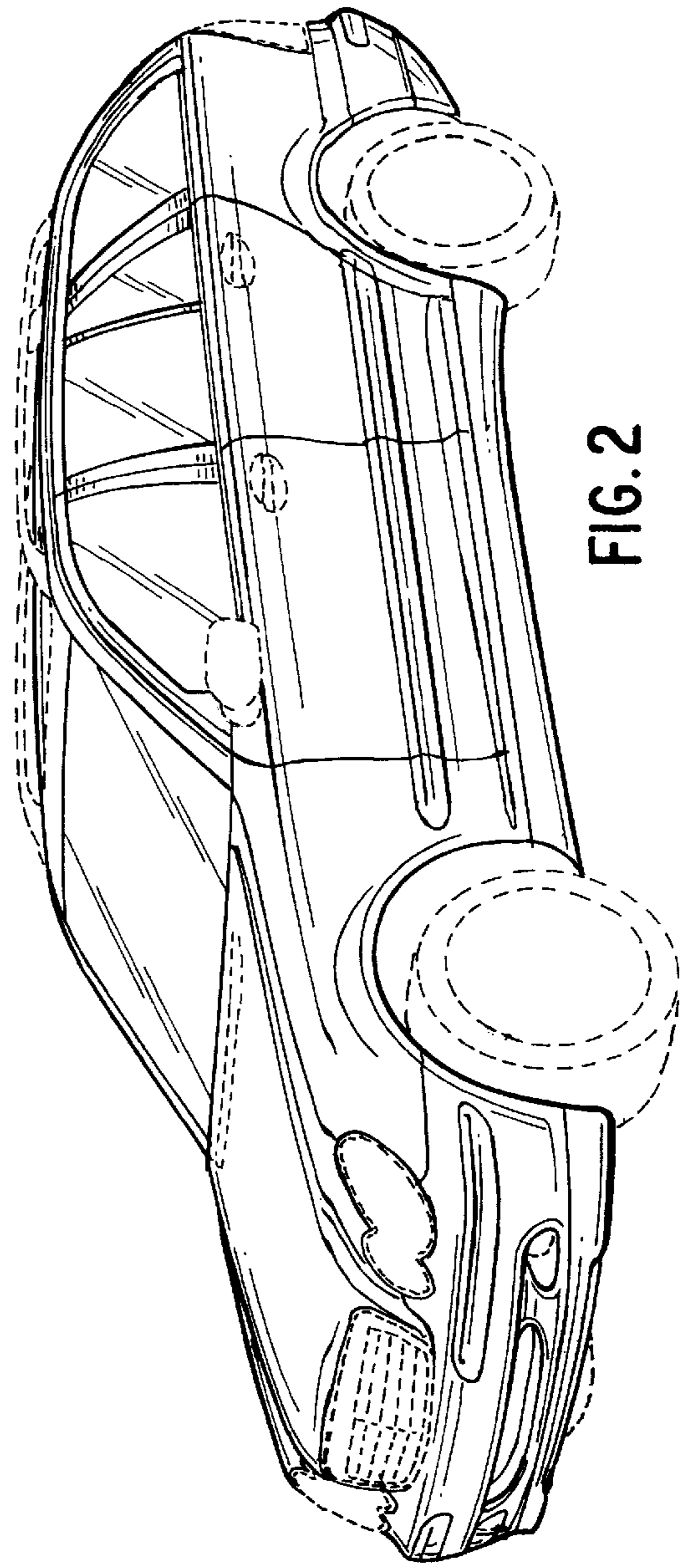
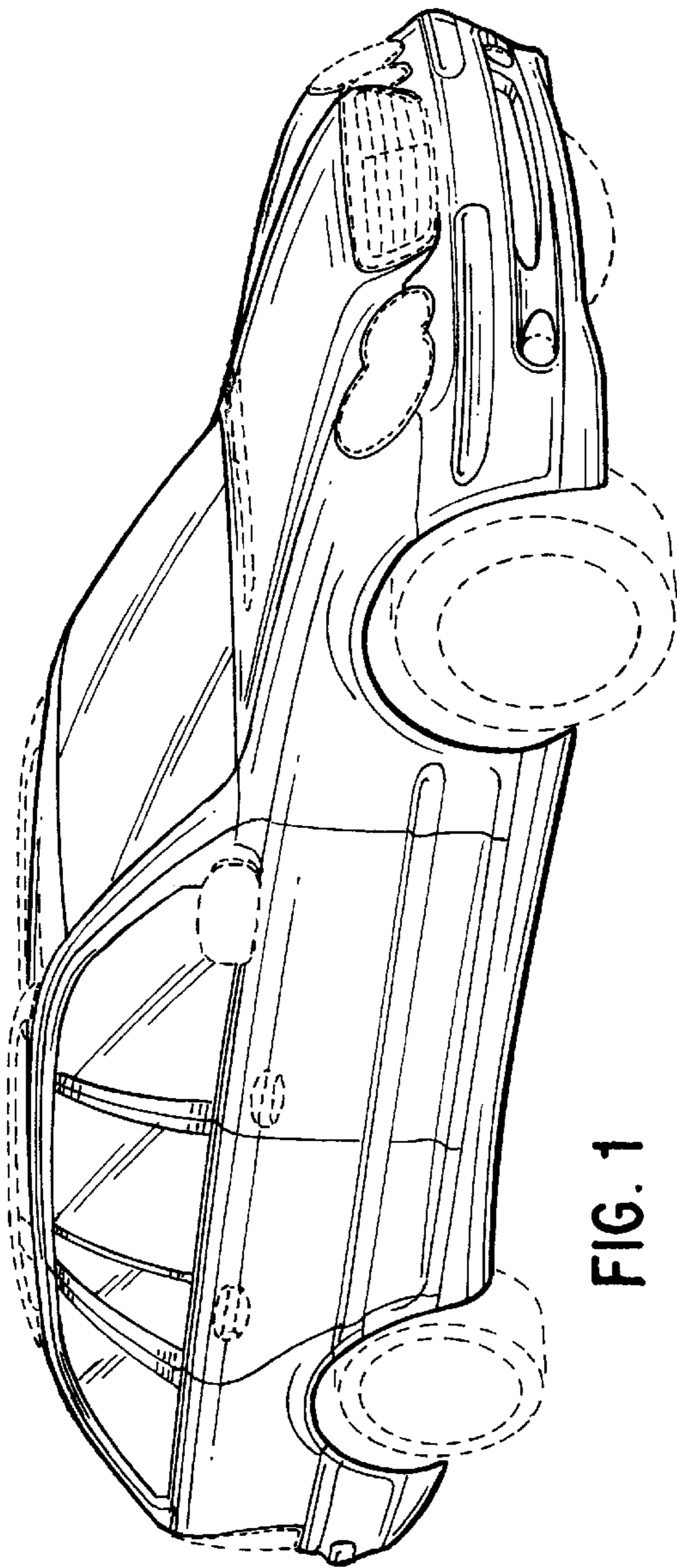
FIG. 8 is a rear view of the surface configuration of a vehicle body and/or toy according to my novel design; and,

FIG. 9 is a top view of the surface configuration of a vehicle body and/or toy according to my novel design.

The broken lines included depict environment and are not part of the claimed design.

**1 Claim, 7 Drawing Sheets**





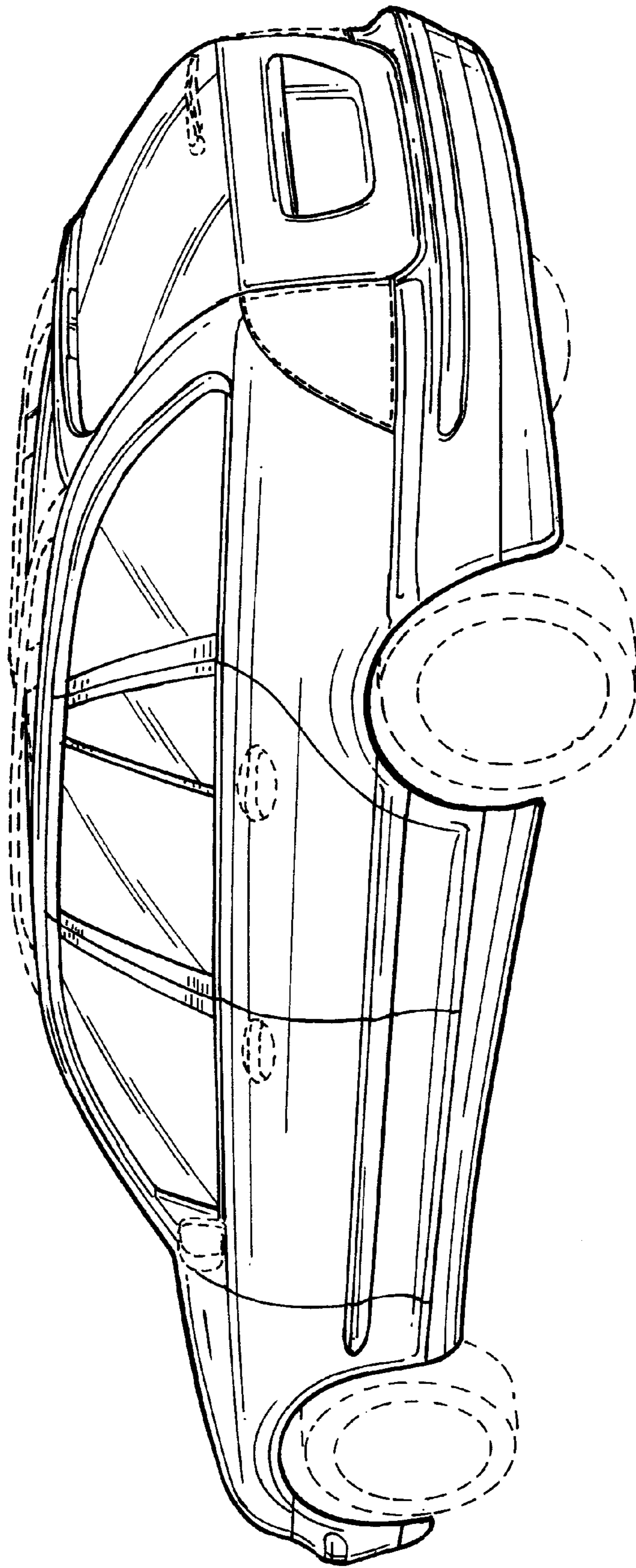


FIG. 3

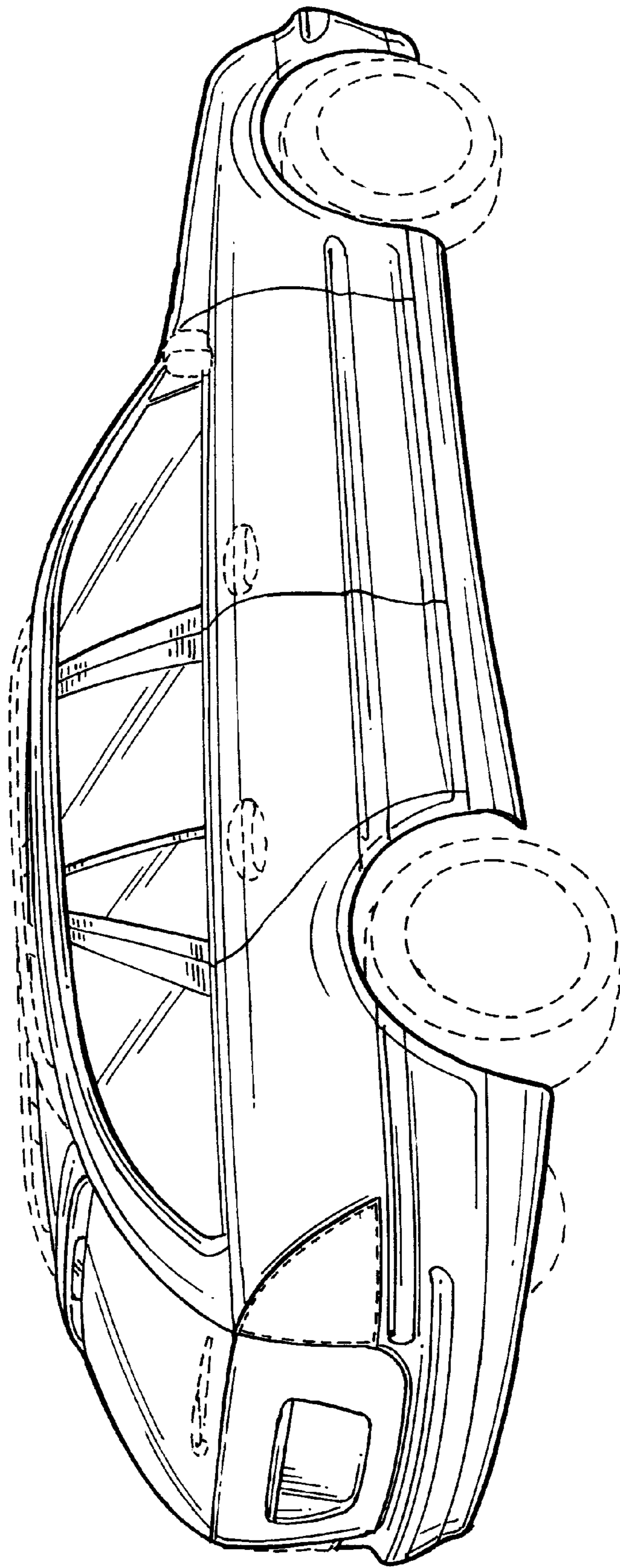


FIG. 4

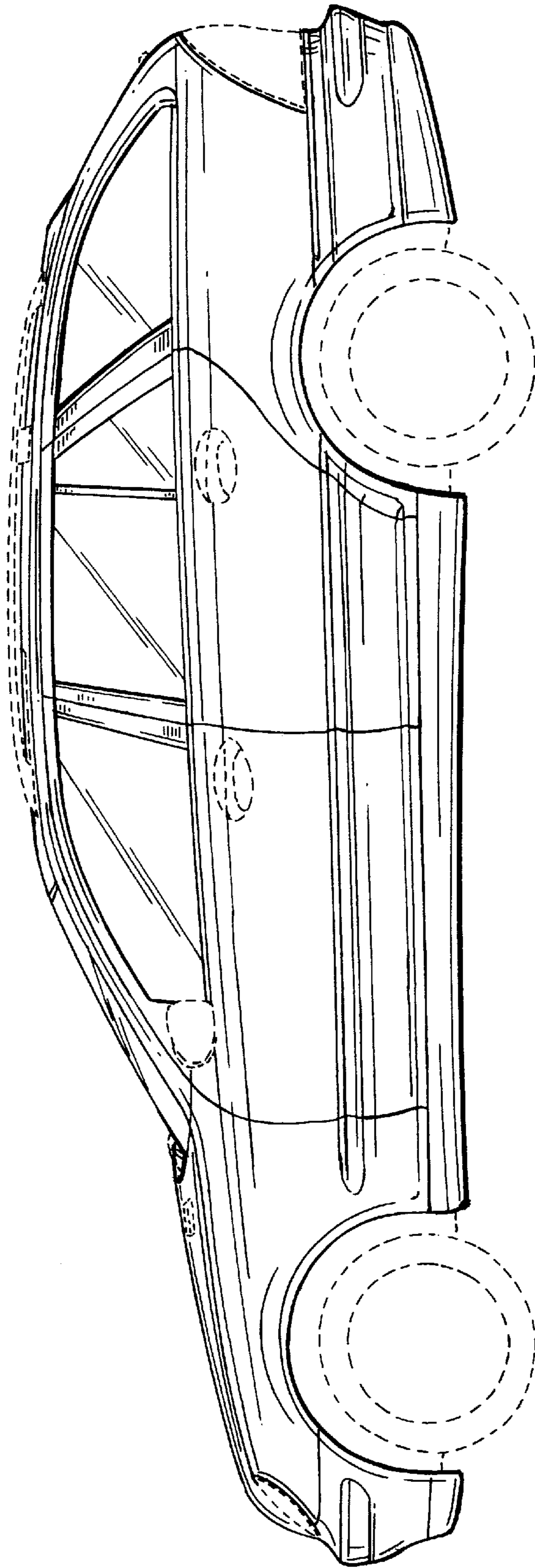


FIG. 5

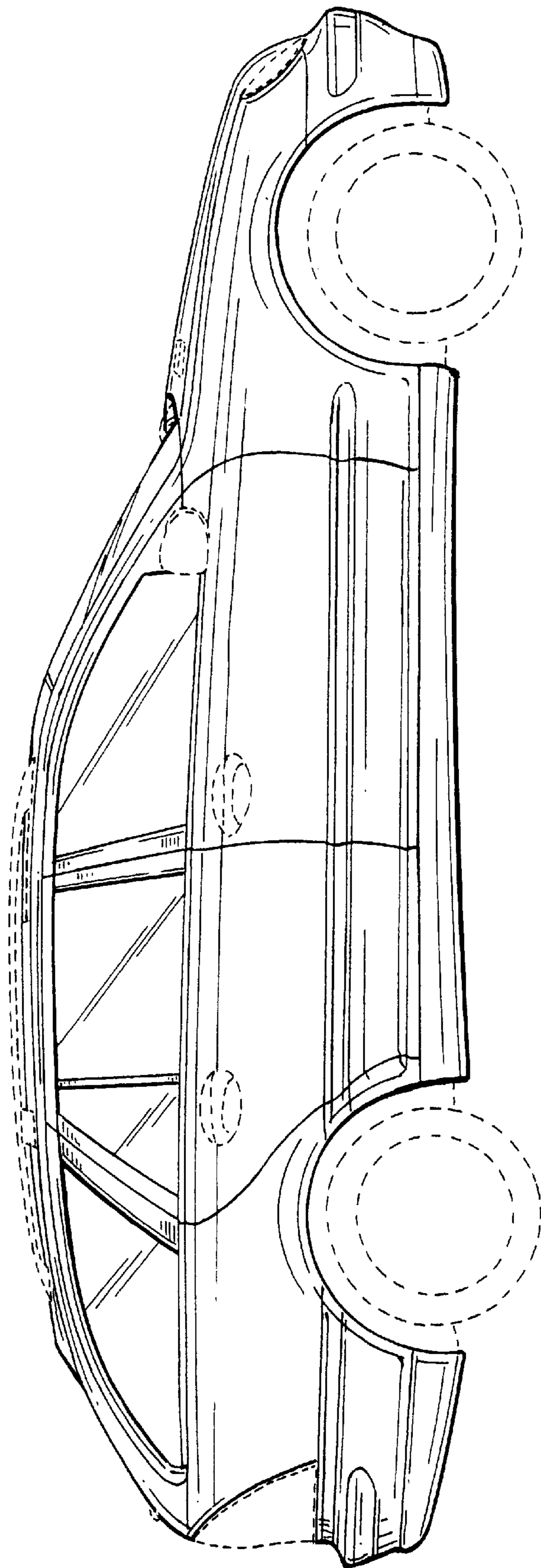


FIG. 6

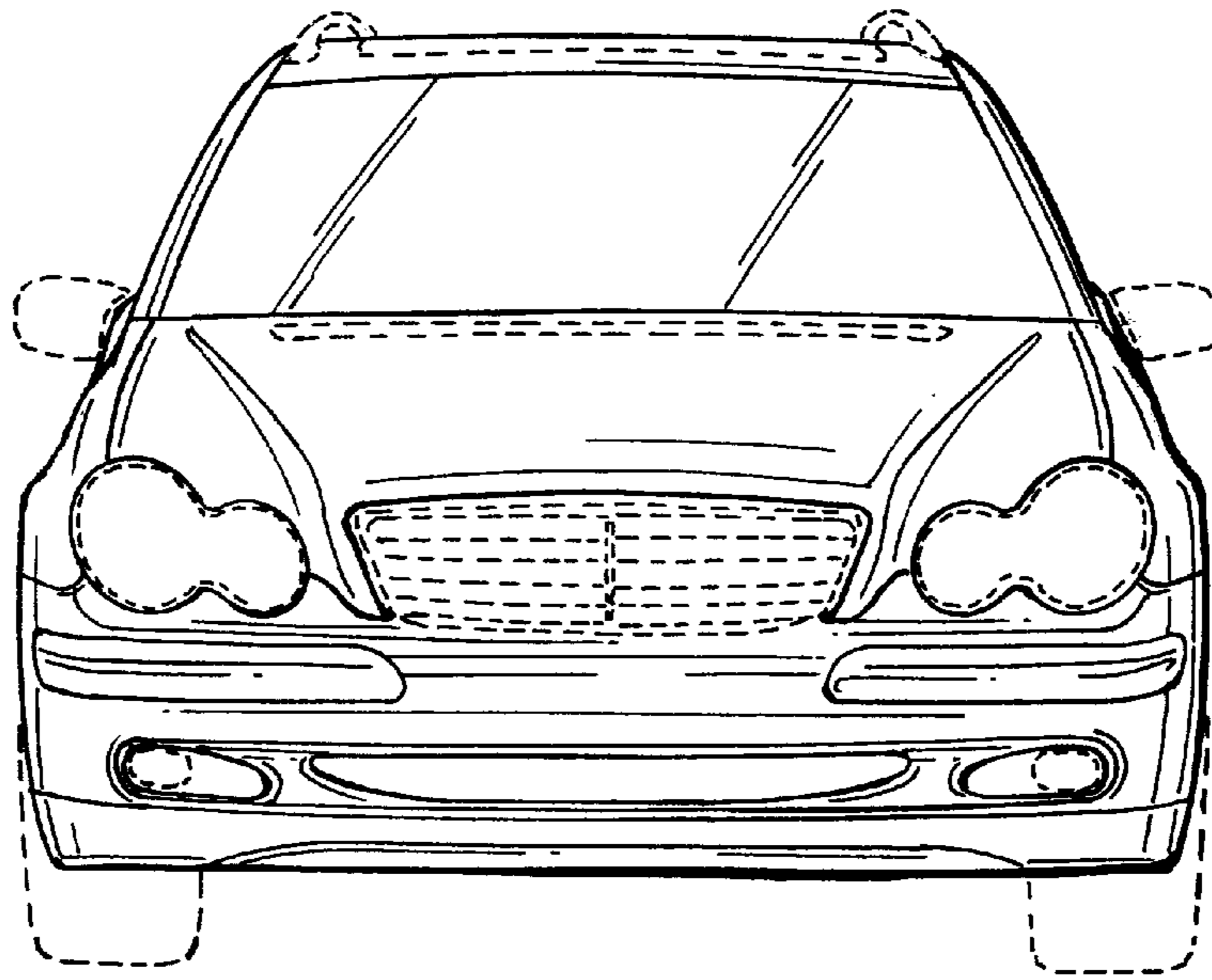


FIG. 7

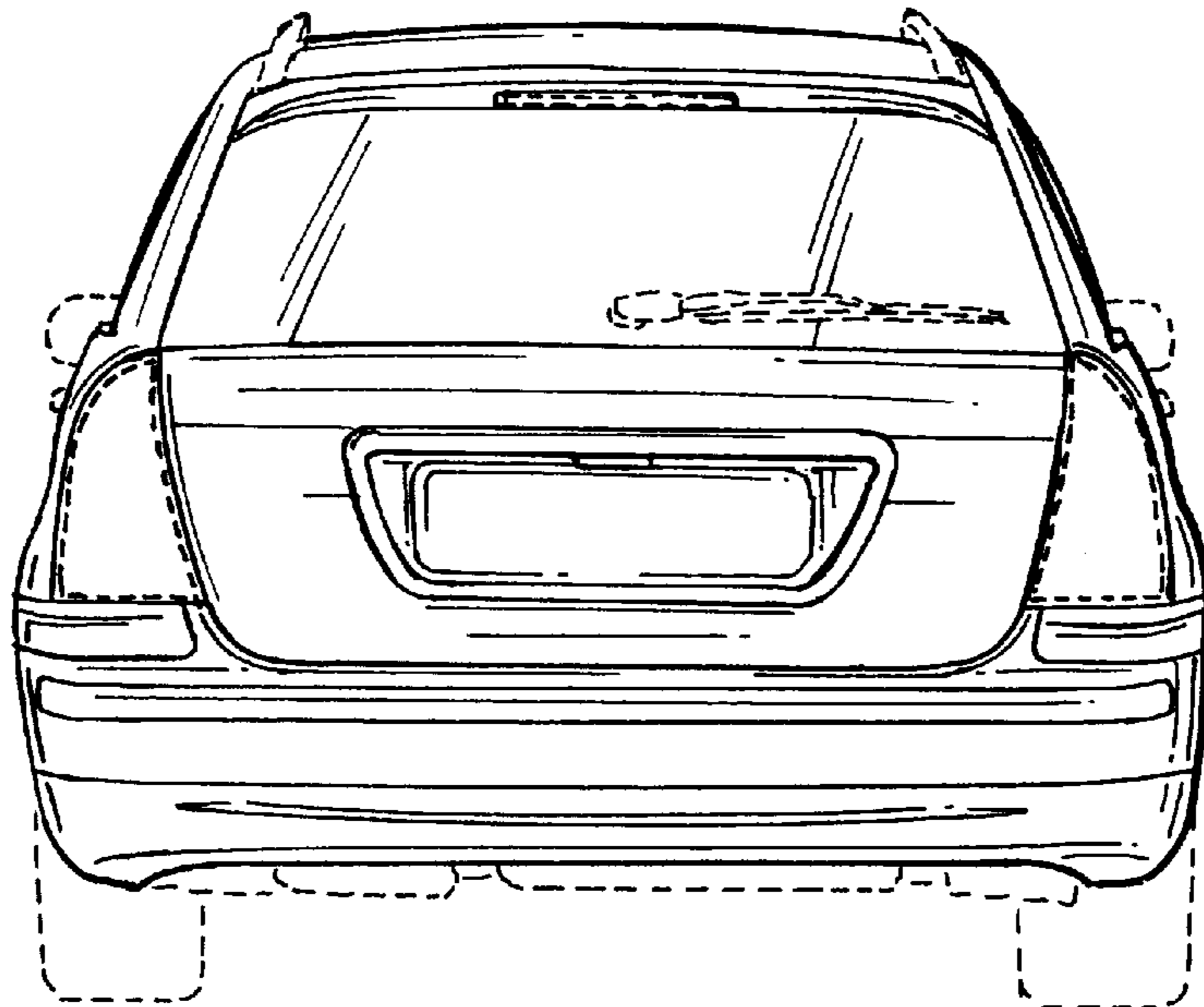


FIG. 8

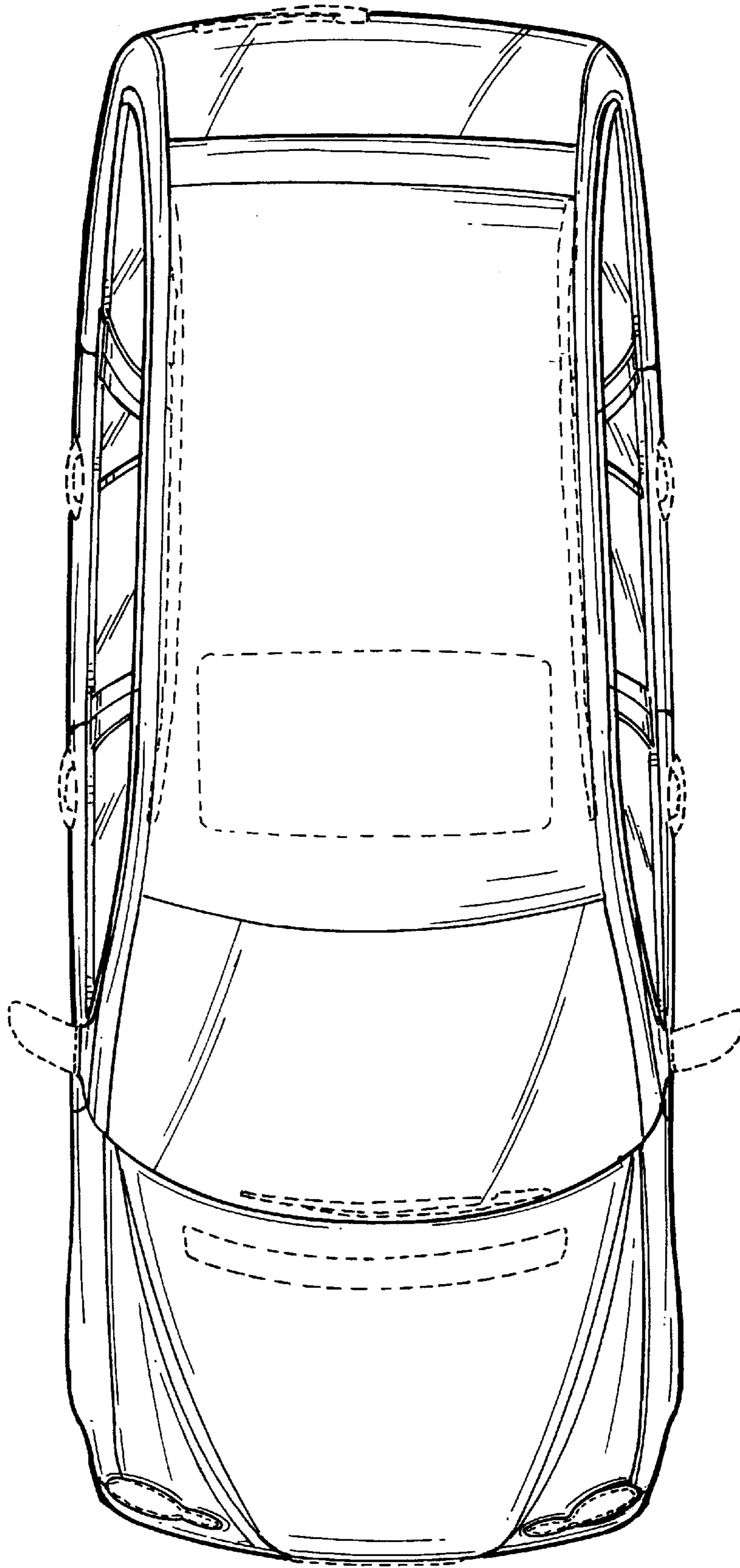


FIG. 9