



US00D436045S

(12) **United States Design Patent**
Giardiello

(10) **Patent No.:** **US D436,045 S**

(45) **Date of Patent:** **** Jan. 9, 2001**

(54) **WRISTWATCH**

(75) **Inventor:** **Barbara Giardiello, Naples (IT)**

(73) **Assignee:** **Sector Group SA, Neuchatel (CH)**

(**) **Term:** **14 Years**

(21) **Appl. No.:** **29/115,186**

(22) **Filed:** **Dec. 10, 1999**

(30) **Foreign Application Priority Data**

Jun. 30, 1999 (XH) DMA/004 566

(51) **LOC (7) Cl.** **10-02**

(52) **U.S. Cl.** **D10/32**

(58) **Field of Search** D10/1-40, 122-132;
D11/3-25; 63/1.1, 3, 5, 11; 368/276-277,
280-282, 285

(56) **References Cited**

U.S. PATENT DOCUMENTS

- D. 326,624 * 6/1992 Cowan D11/19
- D. 327,653 * 7/1992 Versace D10/32
- D. 413,525 * 9/1999 Pun D10/30

- D. 416,810 * 11/1999 Samizo D10/30
- D. 424,952 * 5/2000 Porsche et al. D10/32
- 3,162,007 * 12/1964 Parmentier 63/1.1
- 3,830,414 * 8/1974 Caprielian 224/175

* cited by examiner

Primary Examiner—Nelson C. Holtje

(74) *Attorney, Agent, or Firm*—Sughrue, Mion, Zinn, Macpeak & Seas, PLLC

(57) **CLAIM**

The ornamental design for a wristwatch, as shown and described.

DESCRIPTION

FIG. 1 is a perspective view of the front and one side of a wristwatch showing my new design without the clasp; FIG. 2 is a front view thereof; FIG. 3 is an end view of one end thereof; FIG. 4 is an end view of the opposite end thereof; FIG. 5 is a side view of an opposite side thereof; and, FIG. 6 is a side view of said one side thereof.

The rear of the wristwatch is plain and un-ornamented.

1 Claim, 2 Drawing Sheets



FIG. 1



FIG. 2

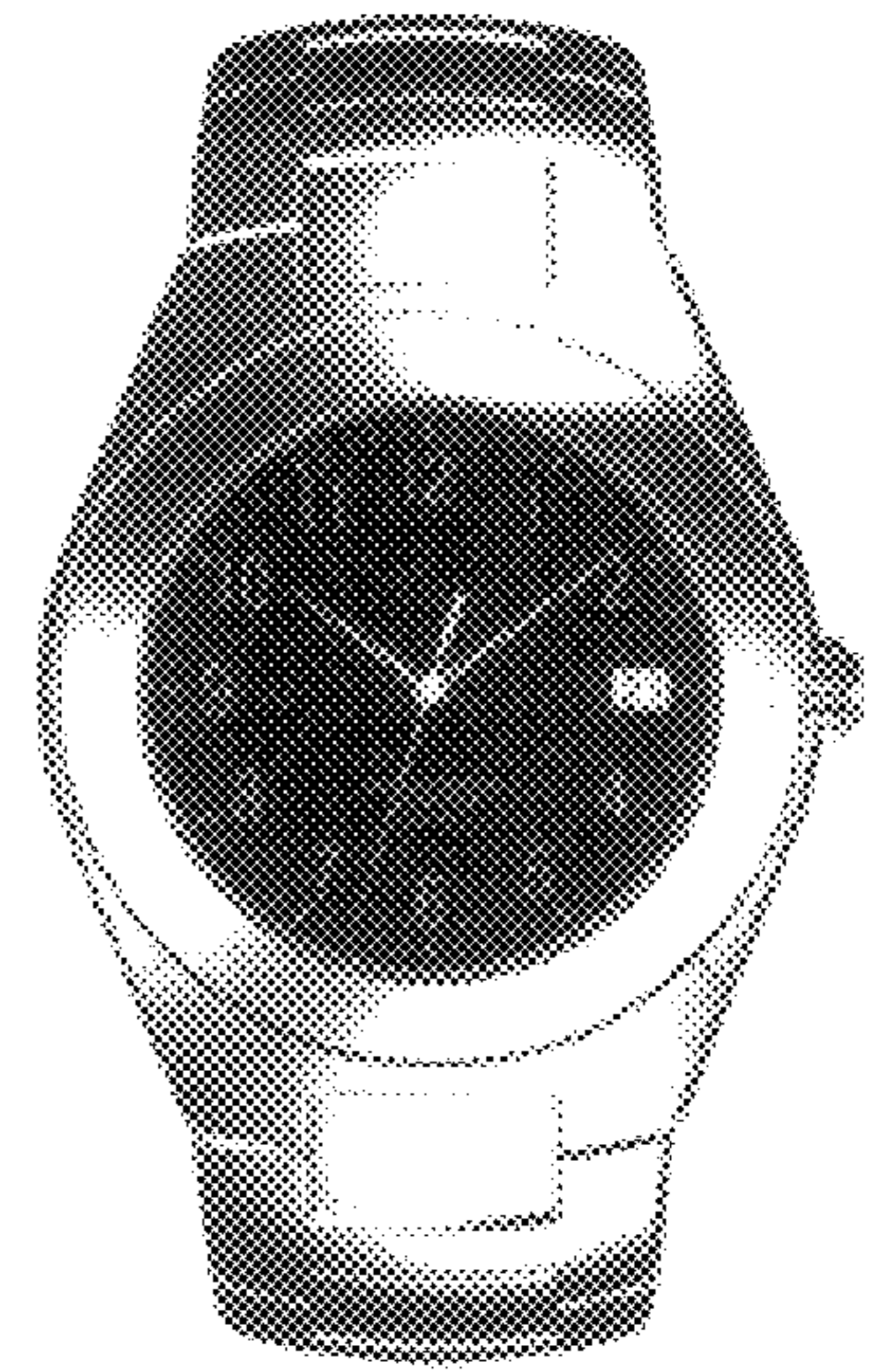


FIG. 3

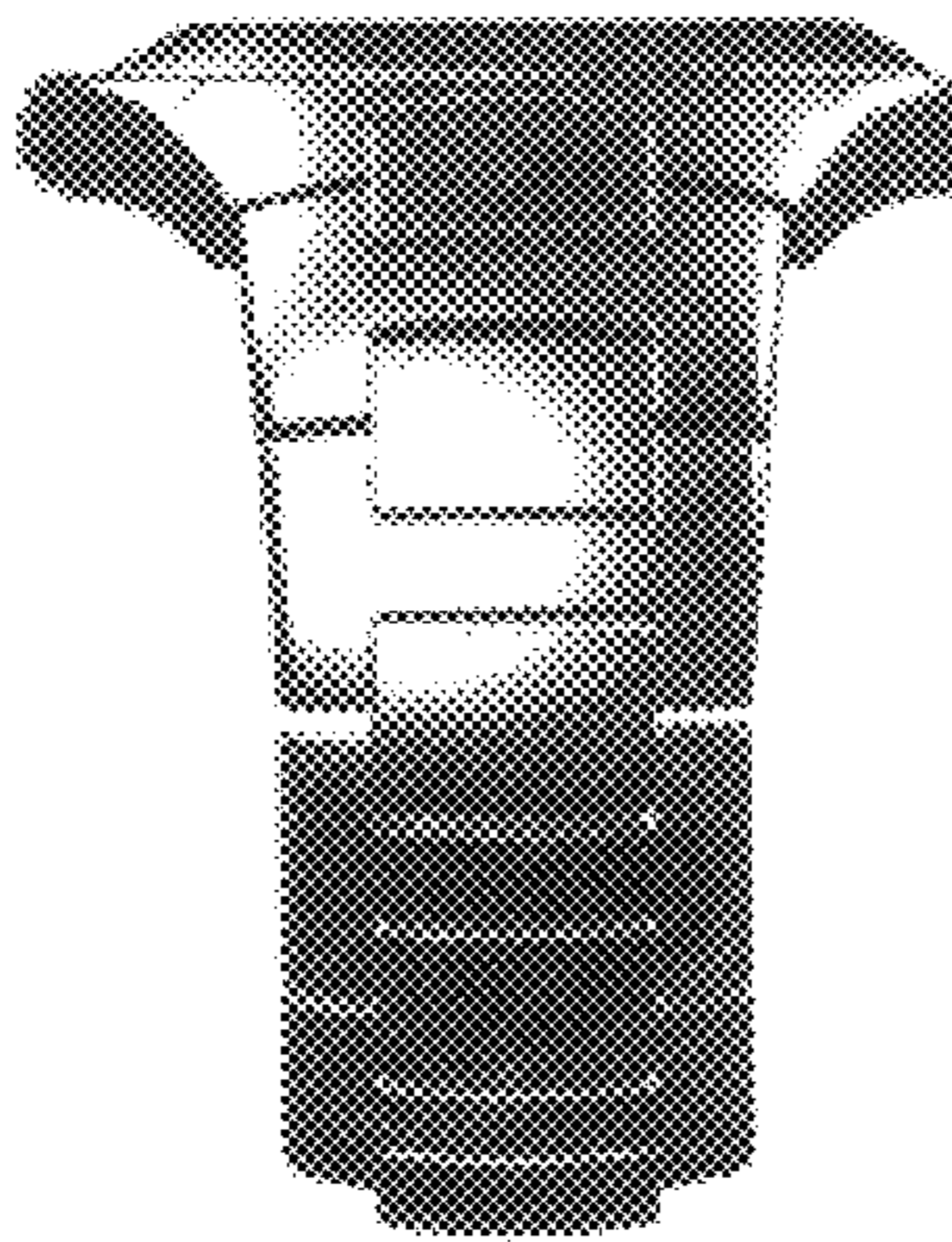


FIG. 4

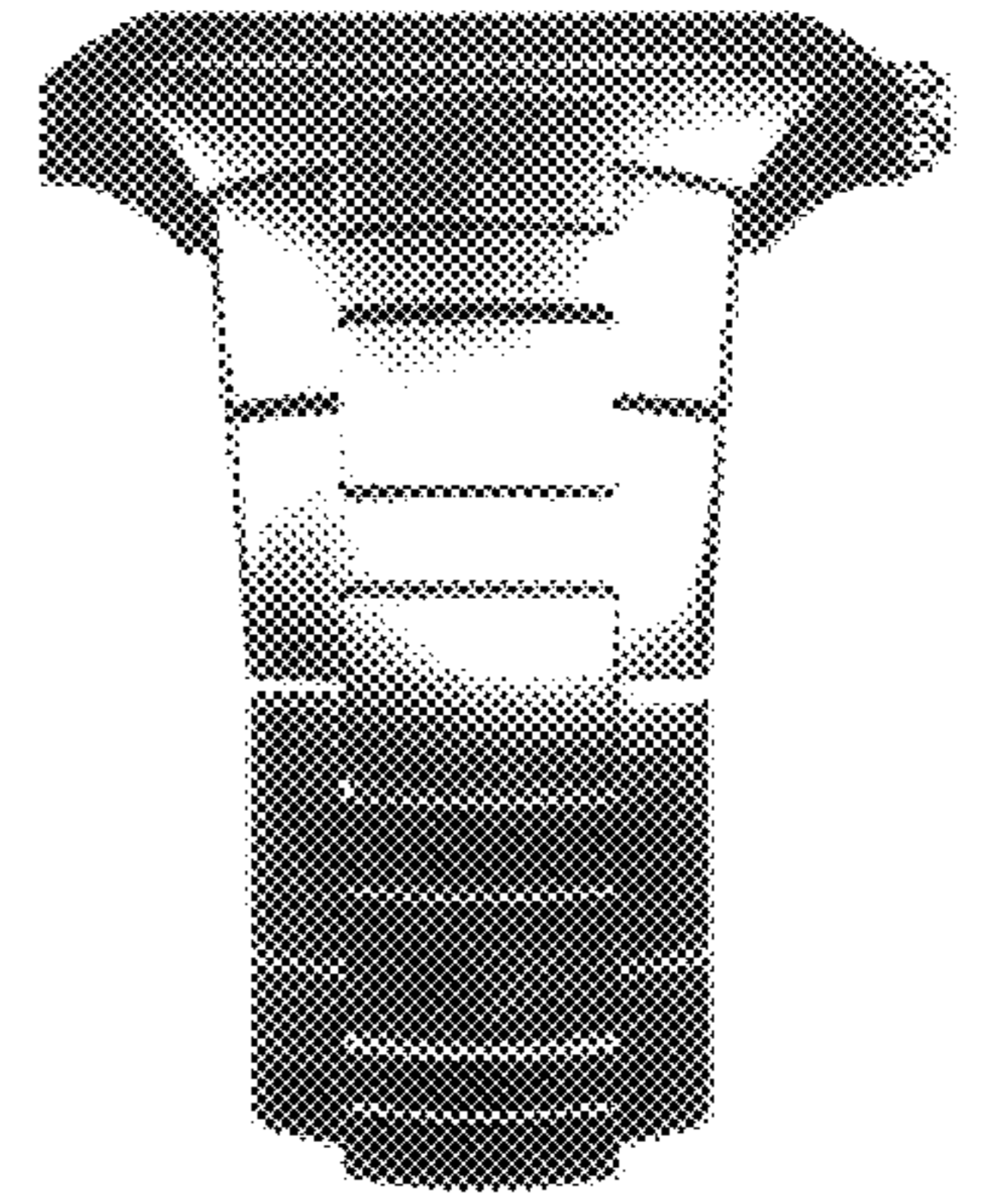


FIG. 5

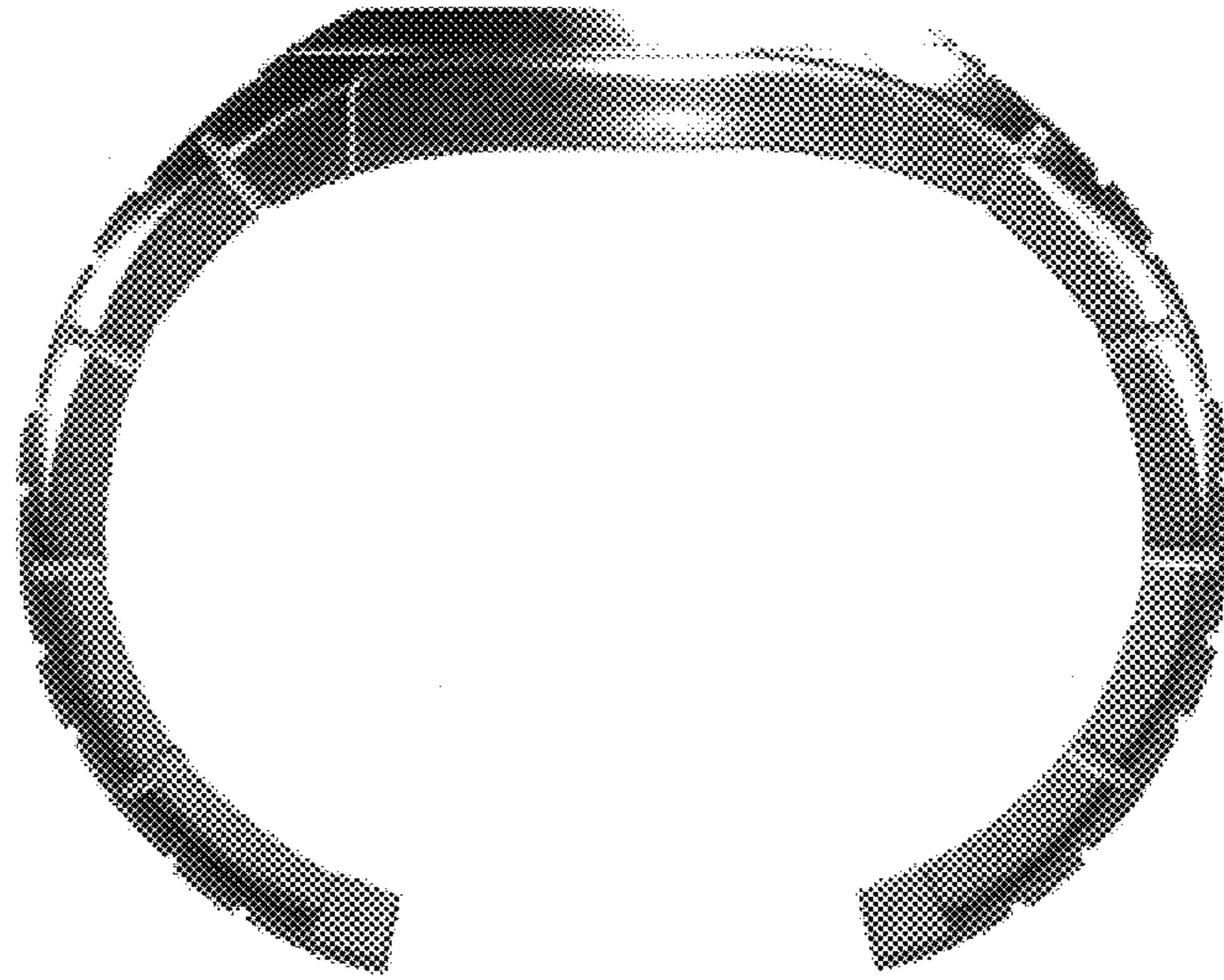


FIG. 6

