



US00D436044S

(12) **United States Design Patent**
Subilia

(10) **Patent No.:** **US D436,044 S**

(45) **Date of Patent:** **** Jan. 9, 2001**

(54) **WATCH CASE**

(75) **Inventor:** **Philippe Subilia, Lausanne (CH)**

(73) **Assignee:** **Rustioni S.A., Lausanne (CH)**

(**) **Term:** **14 Years**

(21) **Appl. No.:** **29/119,342**

(22) **Filed:** **Feb. 25, 2000**

(30) **Foreign Application Priority Data**

Nov. 2, 1999 (XH) 148.356.501

(51) **LOC (7) Cl.** **10-02**

(52) **U.S. Cl.** **D10/30**

(58) **Field of Search** D10/1-40, 122-132;
368/280-282, 276-277, 285

(56) **References Cited**

U.S. PATENT DOCUMENTS

D. 221,289 * 7/1971 Van Haaften D10/39

D. 352,006 * 11/1994 Giardiello D10/30

D. 361,521 * 8/1995 Koga D10/30

D. 371,082 * 6/1996 Oba D10/39

D. 416,498 * 11/1999 Blondin D10/39

* cited by examiner

Primary Examiner—Nelson C. Holtje

(74) *Attorney, Agent, or Firm*—John L. Chiatas;
Marguerite Del Valle

(57) **CLAIM**

I claim the ornamental design for the watch case, as shown and described.

DESCRIPTION

FIG. 1 is a front plan view of the new ornamental watch case of the present invention.

FIG. 2 is a rear plan view thereof.

FIG. 3 is a front perspective view thereof.

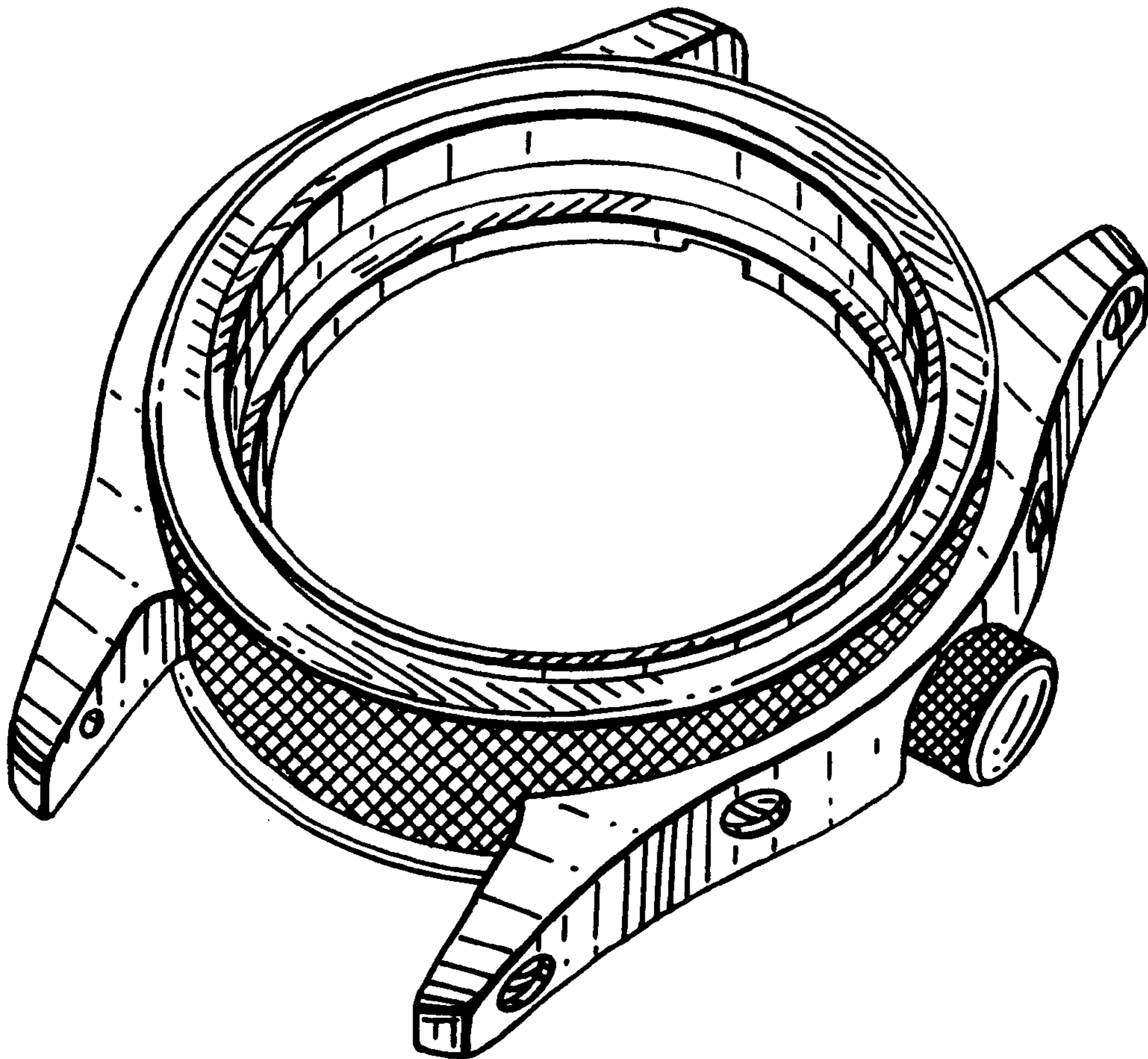
FIG. 4 is a left side view thereof.

FIG. 5 is a right side view thereof.

FIG. 6 is a bottom plan view thereof; and,

FIG. 7 is a top plan view thereof.

1 Claim, 3 Drawing Sheets



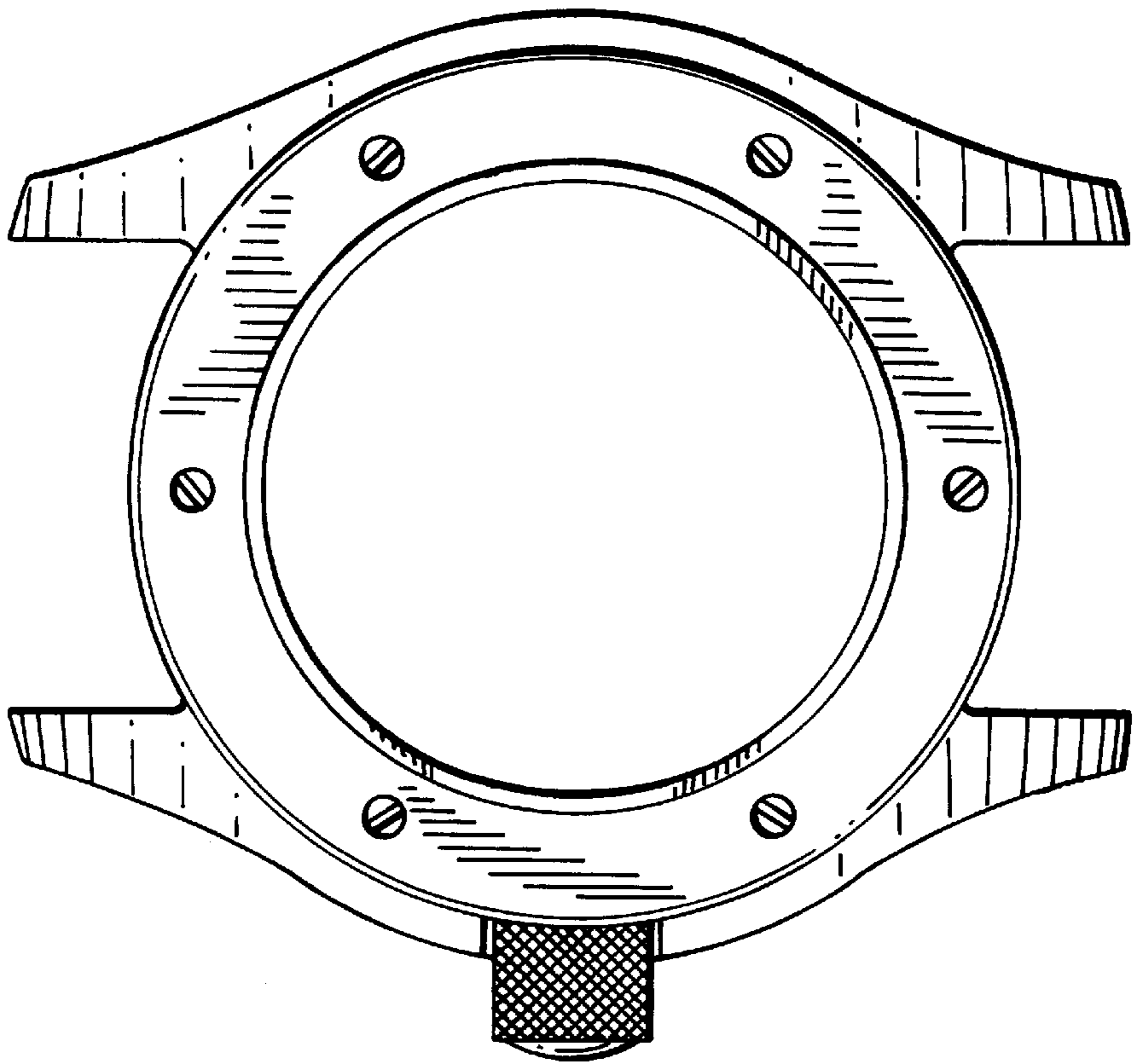


FIG. 2

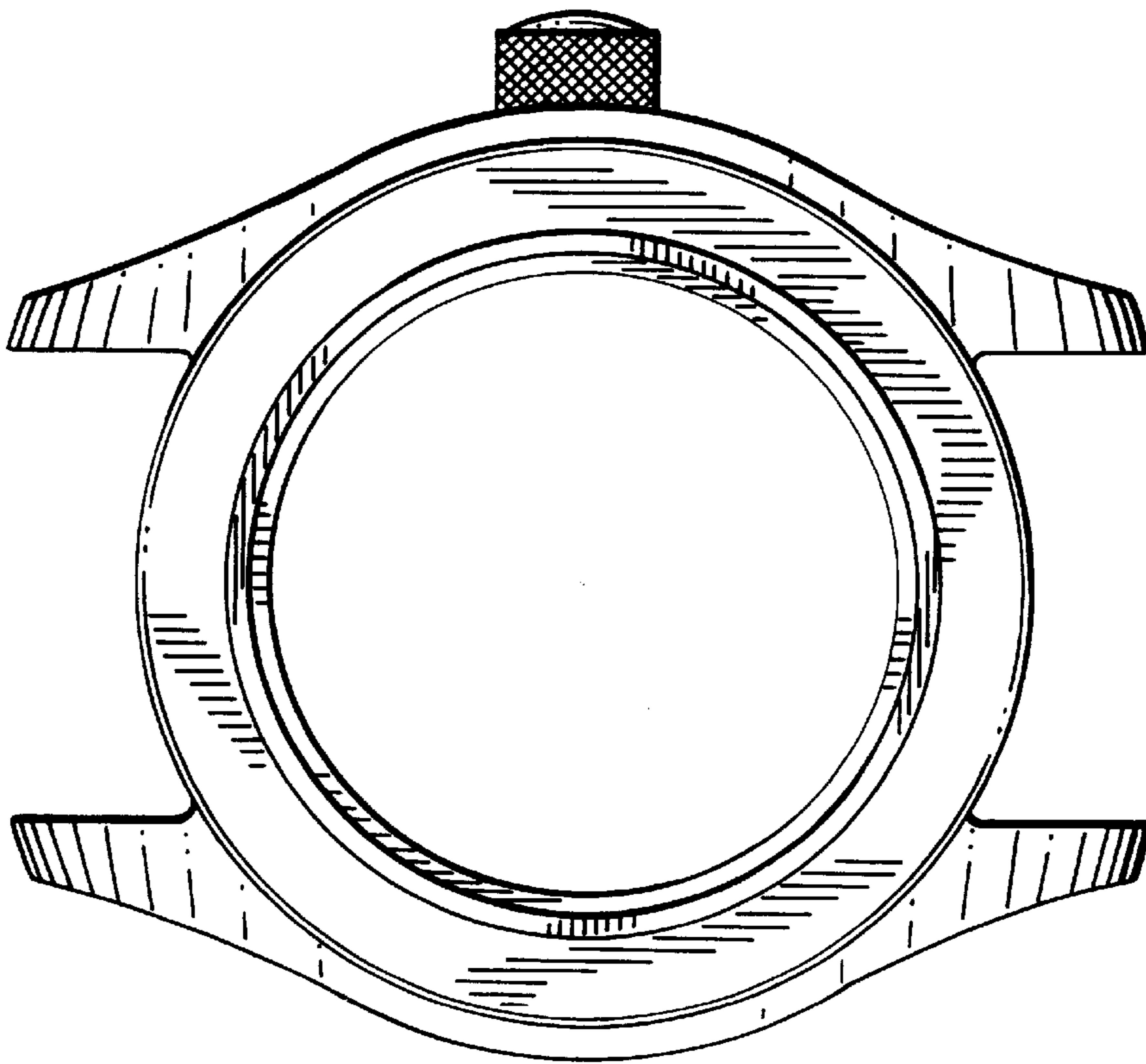


FIG. 1

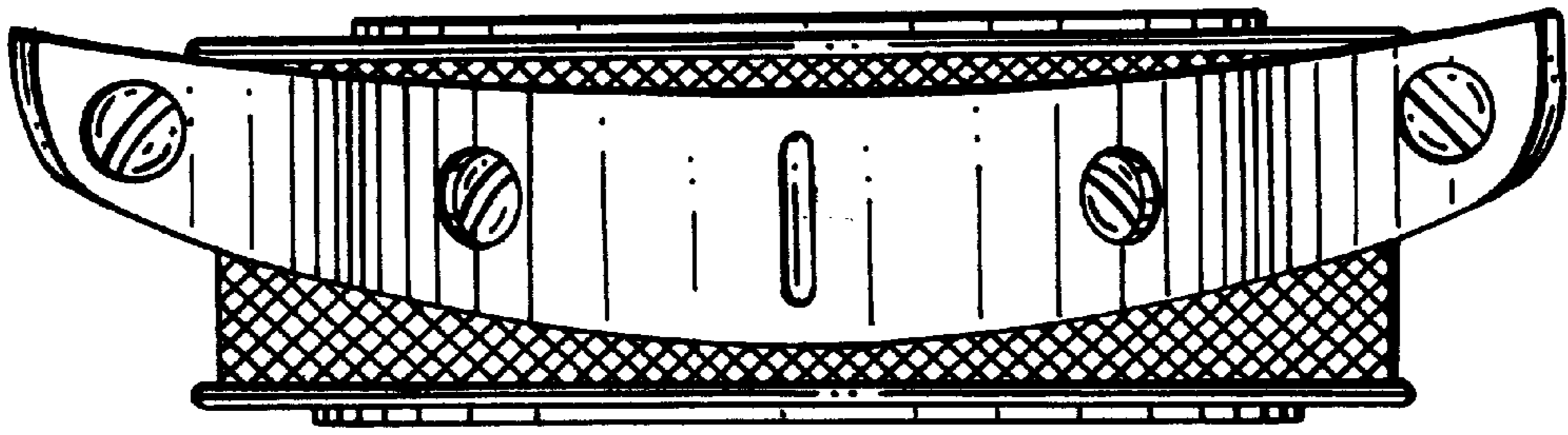


FIG. 4

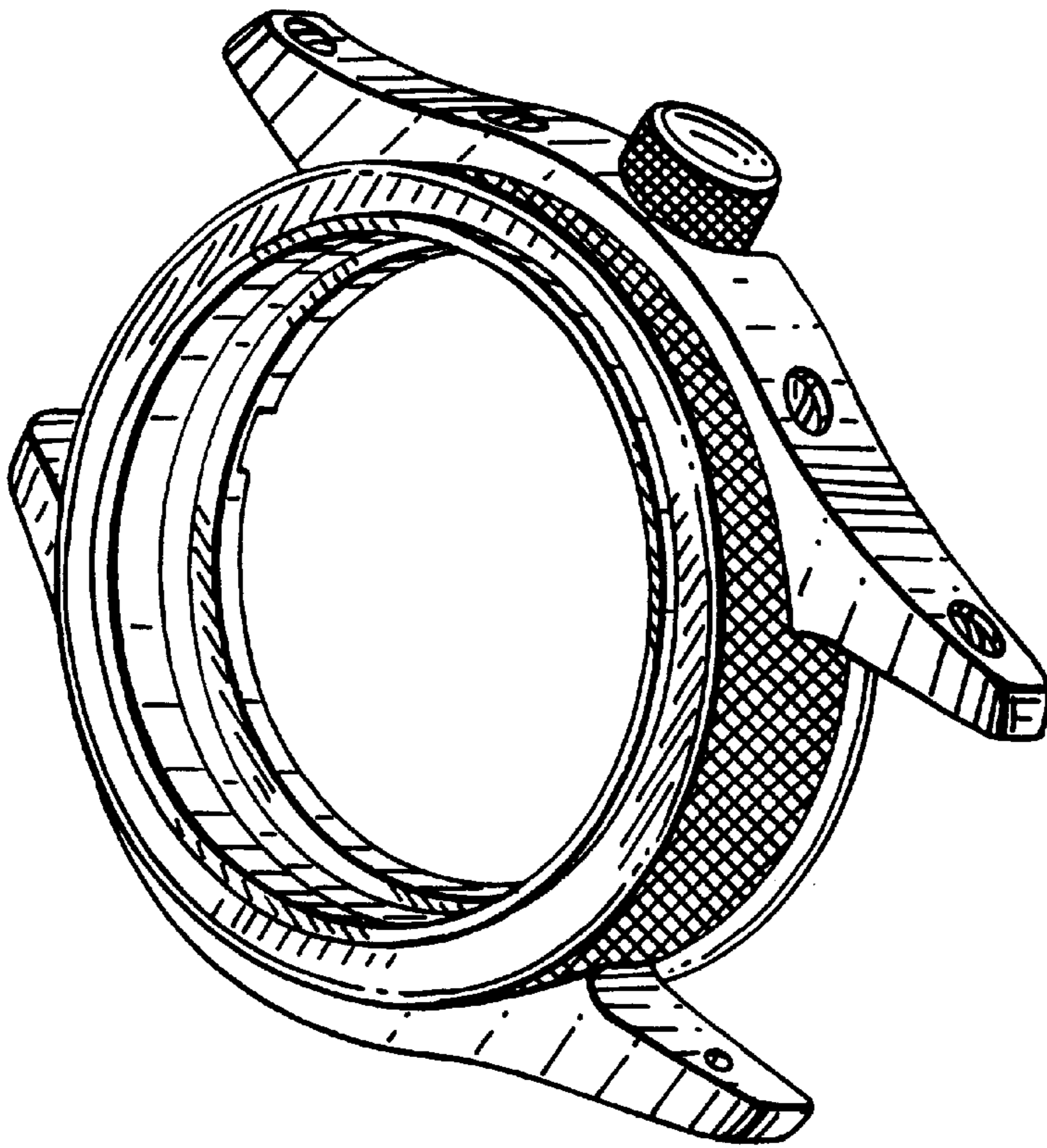


FIG. 3

FIG. 5

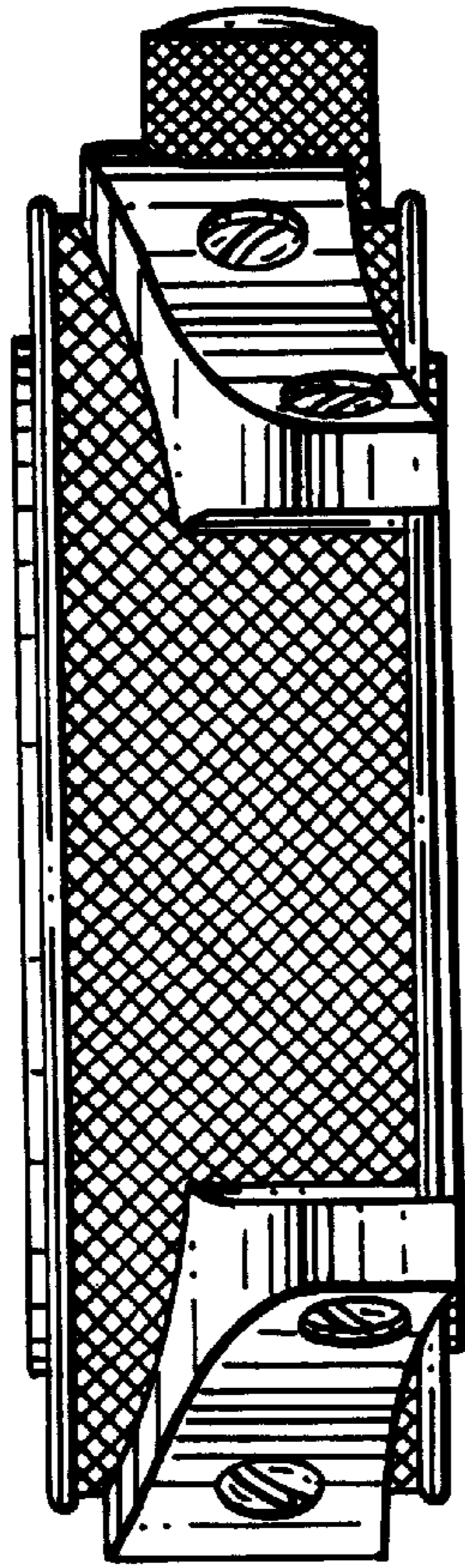
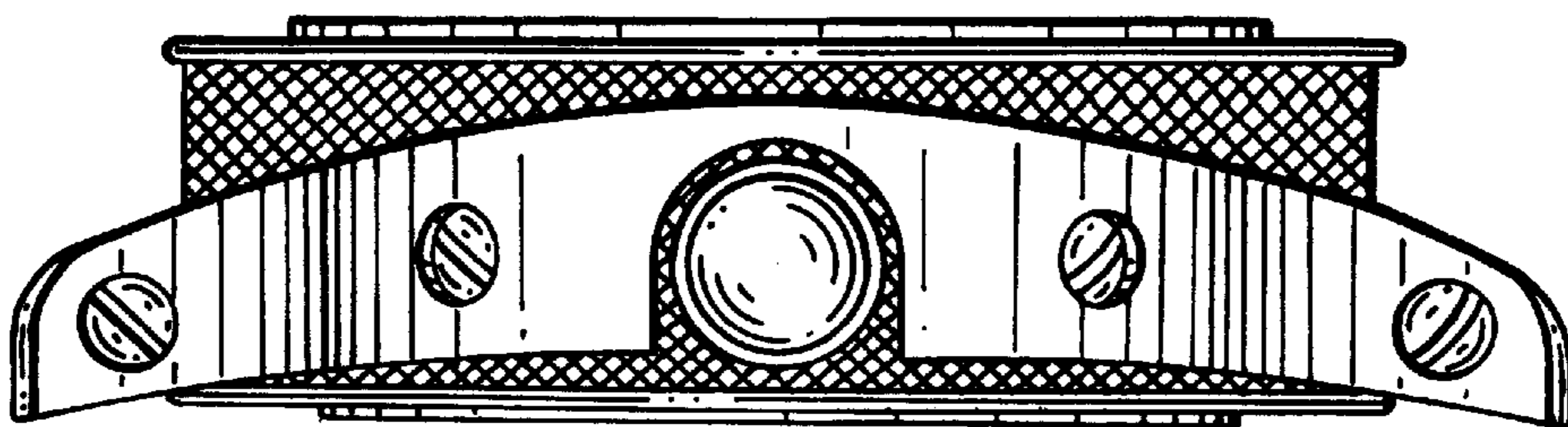


FIG. 6

FIG. 7

