



US00D436042S

(12) **United States Design Patent**
Krishnakumar et al.

(10) **Patent No.:** **US D436,042 S**
(45) **Date of Patent:** **** Jan. 9, 2001**

(54) **BOTTLE**

(75) Inventors: **Suppayan M. Krishnakumar**, Nashua;
David P. Piccioli, Auburn, both of NH
(US); **Jeff Lichtman**, Evanston, IL
(US); **Jeffrey L. Pattee**, Palatine, IL
(US); **Christopher D. Rowe**,
Barrington, IL (US); **Tia-Maria Smith**,
Chicago, IL (US)

(73) Assignee: **Stokely-Van Camp, Inc.**, Chicago, IL
(US)

(**) Term: **14 Years**

(21) Appl. No.: **29/078,536**

(22) Filed: **Oct. 28, 1997**

(51) **LOC (7) Cl.** **09-01**

(52) **U.S. Cl.** **D9/537**

(58) **Field of Search** D9/520, 537, 540,
D9/550, 551, 553, 434, 516, 570; 215/381,
383, 384

D. 382,807	8/1997	Silvers et al. .	
D. 396,413	7/1998	Duboff	D9/539
D. 396,640	8/1998	Conrad et al.	D9/502
D. 397,297	8/1998	Yang	D9/523
D. 397,941	9/1998	Lauth	D9/502
D. 401,860	12/1998	Granelli	D9/538
4,863,046	9/1989	Collette et al.	215/1 C
4,993,565	2/1991	Ota et al. .	
5,002,199	3/1991	Frahm .	
5,005,716	4/1991	Eberle	215/1 C
5,024,341	6/1991	Dekerle	215/11.1
5,064,081	11/1991	Hayashi et al.	215/1 C
5,178,289	1/1993	Krishnakumar et al.	215/1 C
5,303,833	4/1994	Hayashi et al.	215/1 C
5,385,250	1/1995	Pasquale	215/1 C
5,472,105	12/1995	Krishnakumar et al. .	
5,579,937	* 12/1996	Valyi	215/384
5,632,397	5/1997	Fandoux et al. .	
5,635,229	6/1997	Ray .	
5,704,503	1/1998	Krishnakumar et al.	215/381
5,746,339	5/1998	Petre et al.	215/383
5,758,790	* 6/1998	Ewing, Jr.	215/384
5,836,469	* 11/1998	Zebrowski	215/384
5,971,184	10/1999	Krishnakumar	215/384

FOREIGN PATENT DOCUMENTS

5553	2/1993 (PH)	D9/502
------	-------------------	--------

(56) **References Cited**

U.S. PATENT DOCUMENTS

D. 64,152	3/1924	Sweeney .	
D. 154,563	* 7/1949	Peters	D9/551
D. 214,158	5/1969	Pettengill	D9/100
D. 218,019	7/1970	Lattraye et al.	D9/73
D. 235,736	7/1975	Strand et al.	D9/111
D. 269,500	6/1983	Bit	D9/350
D. 294,117	2/1988	Rogler et al.	D9/390
D. 294,463	3/1988	Lang	D9/392
D. 294,678	3/1988	Papa	D9/392
D. 295,381	4/1988	Papa	D9/392
D. 300,805	* 4/1989	Rogler et al.	D9/520
D. 306,262	2/1990	Bit	D9/396
D. 334,342	3/1993	Thompson	D9/502
D. 335,084	4/1993	Snyder	D9/502
D. 344,457	2/1994	Prevot et al.	D9/537
D. 370,178	5/1996	Petre et al.	D9/520
D. 379,224	* 5/1997	McCallister et al.	D9/520
D. 379,306	5/1997	Peykoff	D9/502
D. 382,485	8/1997	Krishnakumar et al. .	

OTHER PUBLICATIONS

Oct. 11, 1997, pictures of bottles (Exhibit A).
Oct. 11, 1997, pictures of bottles (Exhibit B).

* cited by examiner

Primary Examiner—Dominic Simone

(74) *Attorney, Agent, or Firm*—Lars S. Johnson

(57) **CLAIM**

The ornamental design for a bottle, as shown and described.

DESCRIPTION

FIG. 1 is a perspective view of a bottle showing our new design;
FIG. 2 is a front view of the bottle depicted in FIG. 1;
FIG. 3 is a side view of the bottle depicted in FIG. 2, representing a partial rotation of the bottle about its vertical center axis from the front view depicted in FIG. 2;

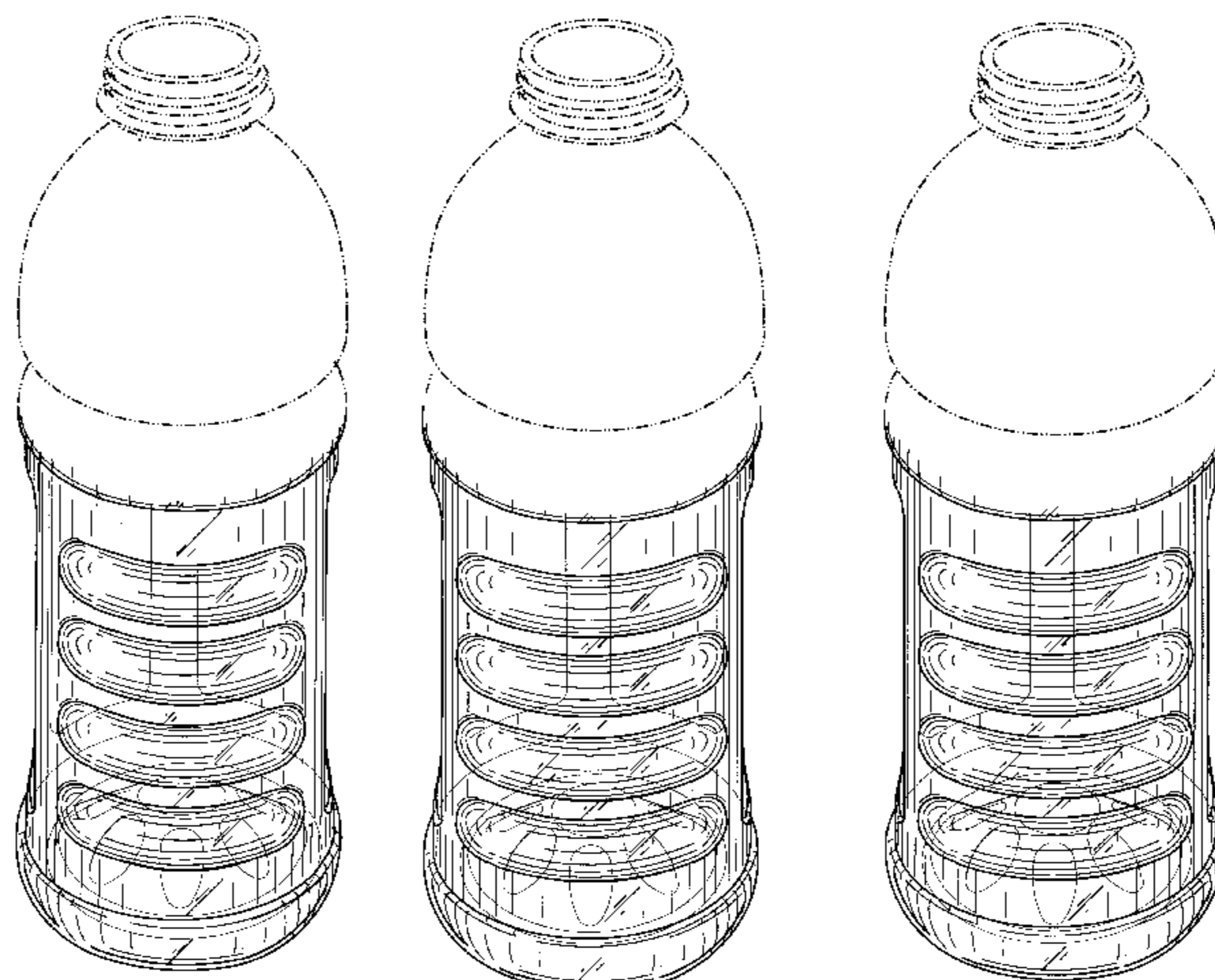


FIG. 4 is a back view of the bottle depicted in FIG. 2, representing a partial rotation of the bottle about its vertical center axis from the front view depicted in FIG. 2, said back view being opposite the front view depicted in FIG. 2;
FIG. 5 is a side view of the bottle depicted in FIG. 2, representing a partial rotation of the bottle about its vertical axis from the front view depicted in FIG. 2, said side view being opposite the side view depicted in FIG. 3;
FIG. 6 is a bottom view of the bottle depicted in FIG. 2;
FIG. 7 is a perspective view of a second embodiment of a bottle as depicted in FIG. 1;
FIG. 8 is a front view of the bottle depicted in FIG. 7;
FIG. 9 is a side view of the bottle depicted in FIG. 8, representing a partial rotation of the bottle about its vertical center axis from the front view depicted in FIG. 8;
FIG. 10 is a back view of the bottle depicted in FIG. 8, representing a partial rotation of the bottle about its vertical center axis from the front view depicted in FIG. 8, said back view being opposite the front view depicted in FIG. 8;
FIG. 11 is a side view of the bottle depicted in FIG. 8, representing a partial rotation of the bottle about its vertical axis from the front view depicted in FIG. 8, said side view being opposite the side view depicted in FIG. 9;
FIG. 12 is a bottom view of the bottle depicted in FIG. 8;
FIG. 13 is a perspective view of a third embodiment of a bottle as depicted in FIG. 1;
FIG. 14 is a front view of the bottle depicted in FIG. 13;
FIG. 15 is a side view of the bottle depicted in FIG. 14, representing a partial rotation of the bottle about its vertical center axis from the front view depicted in FIG. 14;
FIG. 16 is a back view of the bottle depicted in FIG. 14, representing a partial rotation of the bottle about its vertical center axis from the front view depicted in FIG. 14, said back view being opposite the front view depicted in FIG. 14;
FIG. 17 is a side view of the bottle depicted in FIG. 14, representing a partial rotation of the bottle about its vertical axis from the front view depicted in FIG. 14, said side view being opposite the side view depicted in FIG. 15;

FIG. 18 is a bottom view of the bottle depicted in FIG. 14;
FIG. 19 is a perspective view of a fourth embodiment of a bottle as depicted in FIG. 1;
FIG. 20 is a front view of the bottle depicted in FIG. 19;
FIG. 21 is a side view of the bottle depicted in FIG. 20, representing a partial rotation of the bottle about its vertical center axis from the front view depicted in FIG. 20;
FIG. 22 is a back view of the bottle depicted in FIG. 20, representing a partial rotation of the bottle about its vertical center axis from the front view depicted in FIG. 20, said back view being opposite the front view depicted in FIG. 20;
FIG. 23 is a side view of the bottle depicted in FIG. 20, representing a partial rotation of the bottle about its vertical axis from the front view depicted in FIG. 20, said side view being opposite the side view depicted in FIG. 21;
FIG. 24 is a bottom view of the bottle depicted in FIG. 20;
FIG. 25 is a perspective view of a fifth embodiment of a bottle as depicted in FIG. 1;
FIG. 26 is a front view of the bottle depicted in FIG. 25;
FIG. 27 is a side view of the bottle depicted in FIG. 26, representing a partial rotation of the bottle about its vertical center axis from the front view depicted in FIG. 26;
FIG. 28 is a back view of the bottle depicted in FIG. 26, representing a partial rotation of the bottle about its vertical center axis from the front view depicted in FIG. 26, said back view being opposite the front view depicted in FIG. 26;
FIG. 29 is a side view of the bottle depicted in FIG. 26, representing a partial rotation of the bottle about its vertical axis from the front view depicted in FIG. 26, said side view being opposite the side view depicted in FIG. 27; and,
FIG. 30 is a bottom view of the bottle depicted in FIG. 26.
The broken line environmental showing is for illustrative purposes only and does not form part of the claimed design.

1 Claim, 15 Drawing Sheets

FIG. 1

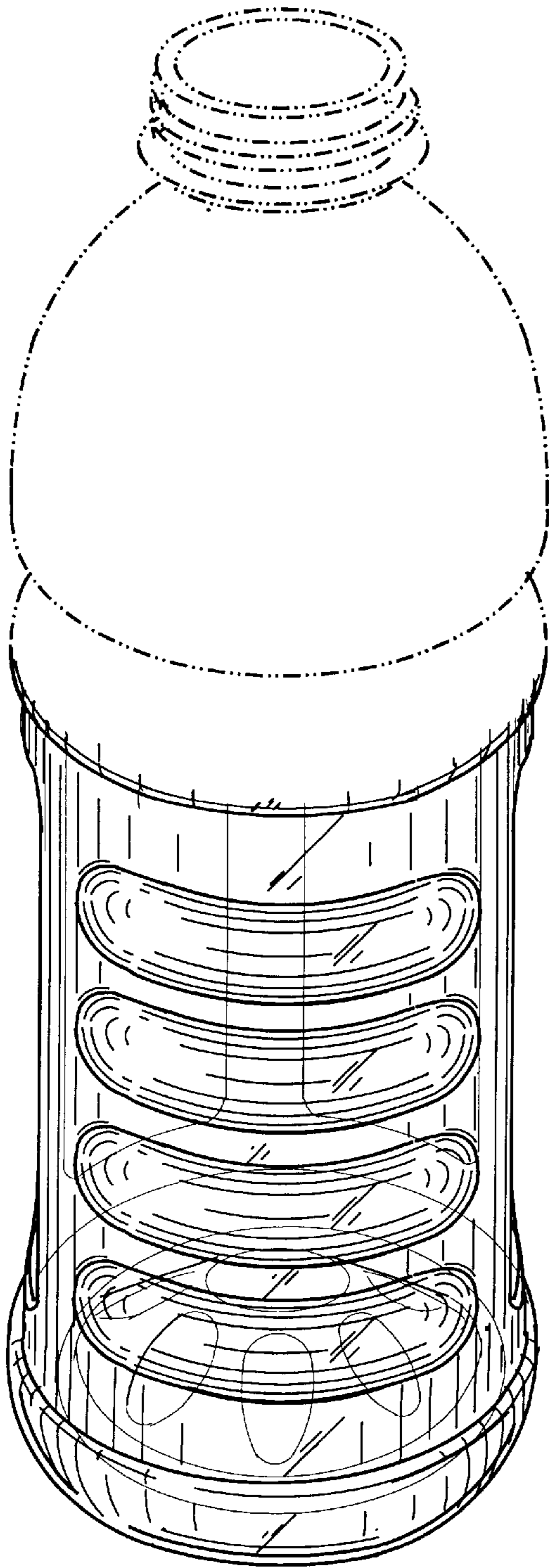


FIG. 6

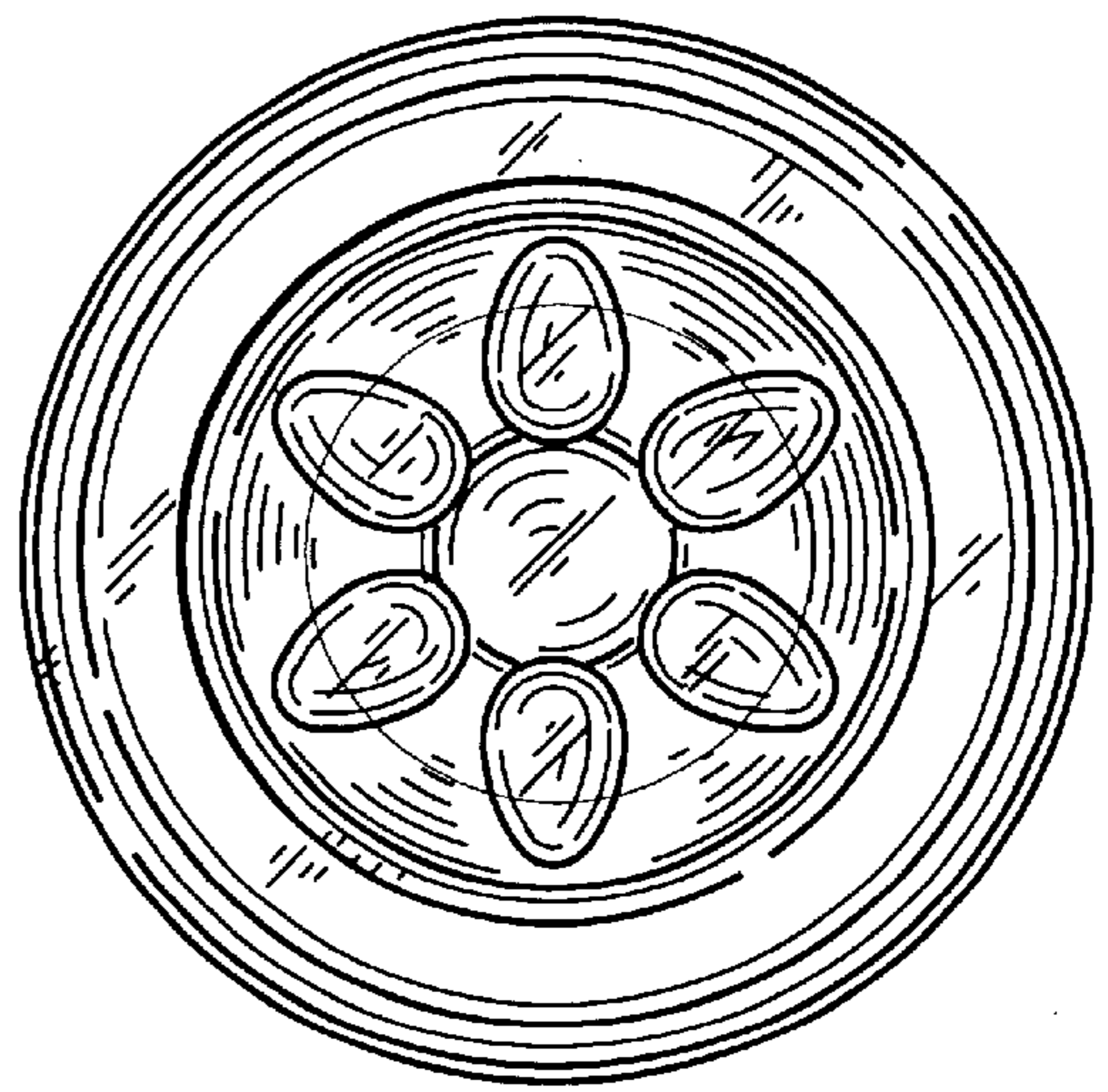


FIG. 2

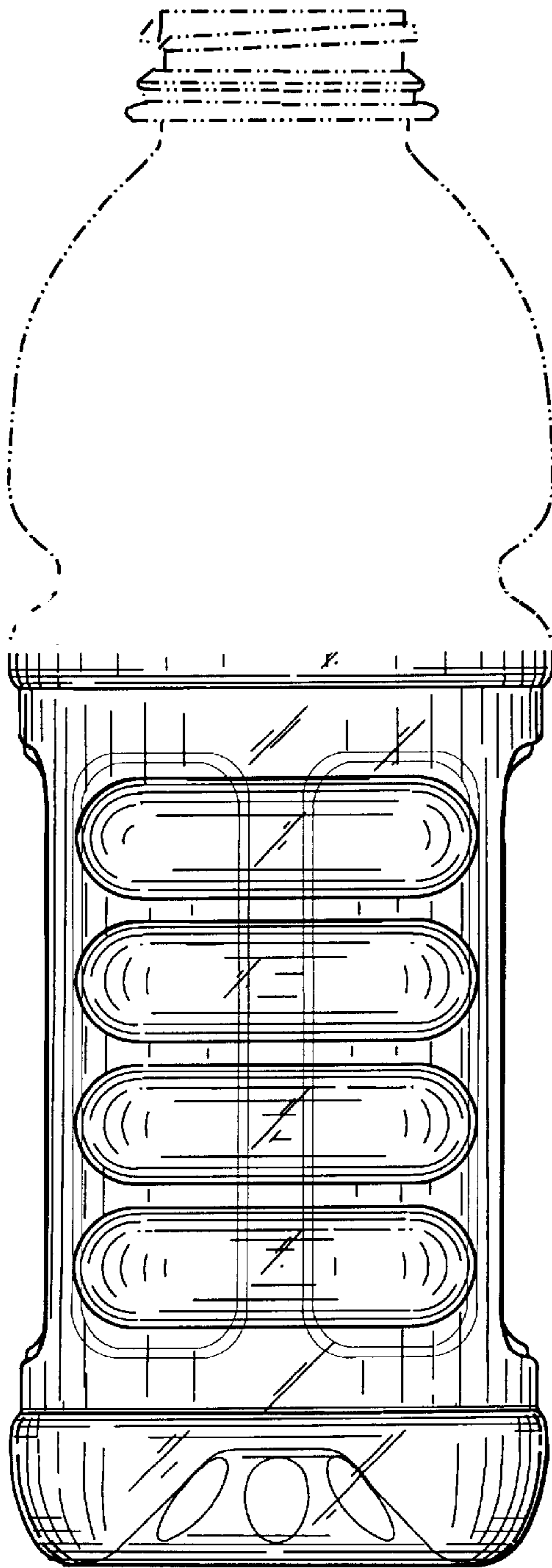


FIG. 3

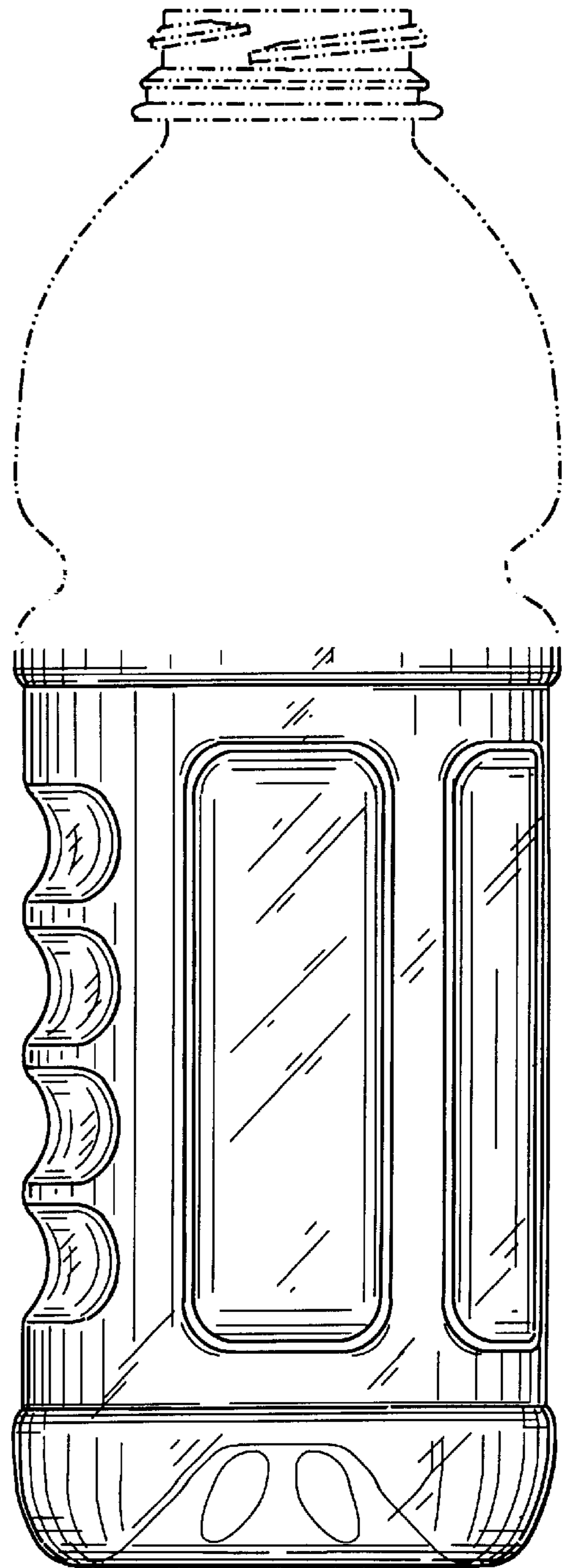


FIG. 4

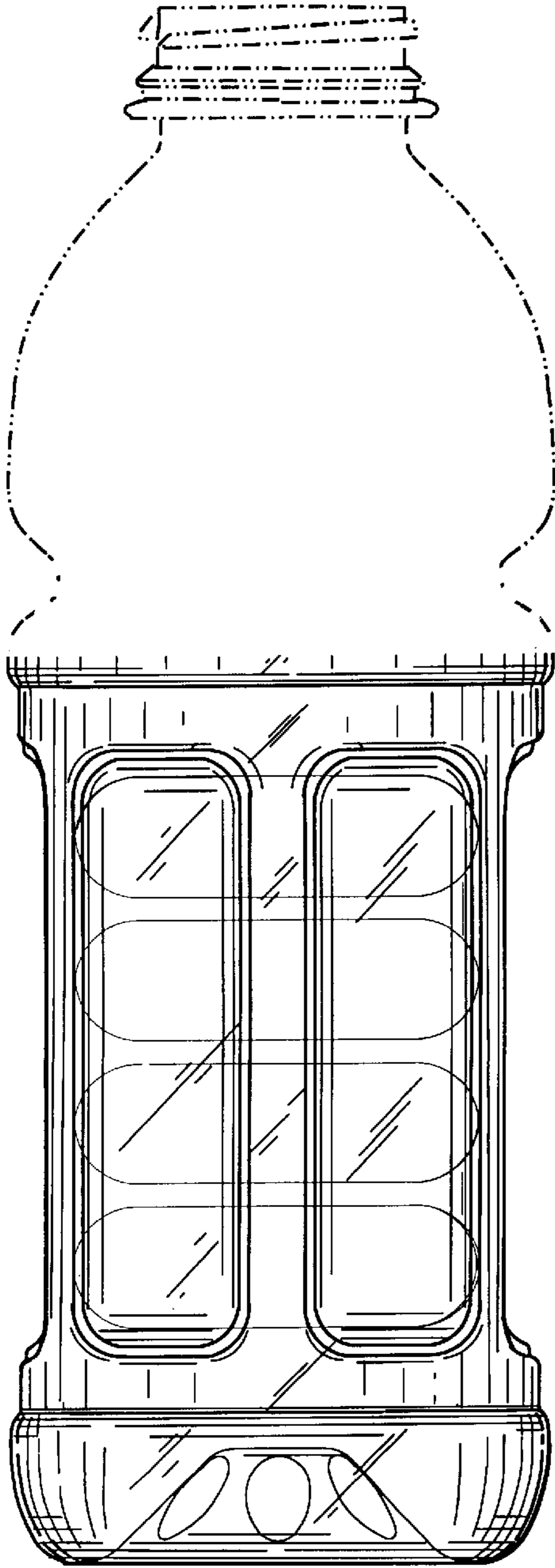


FIG. 5

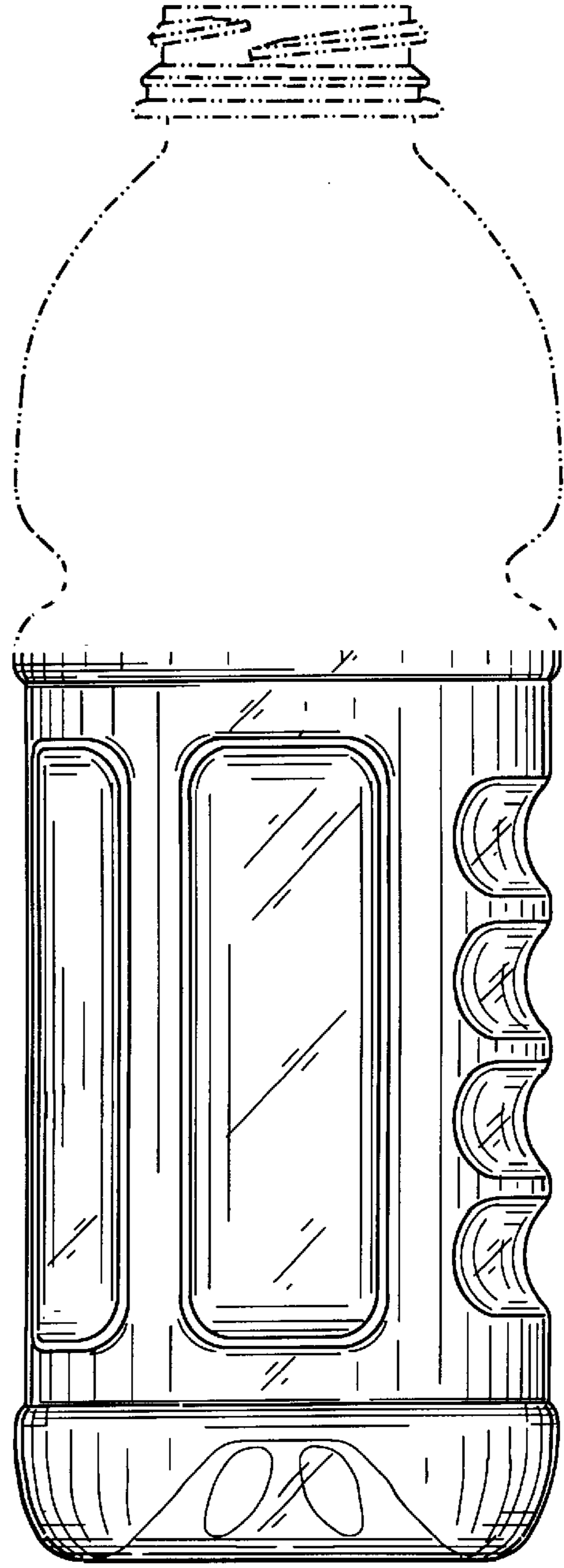


FIG. 7

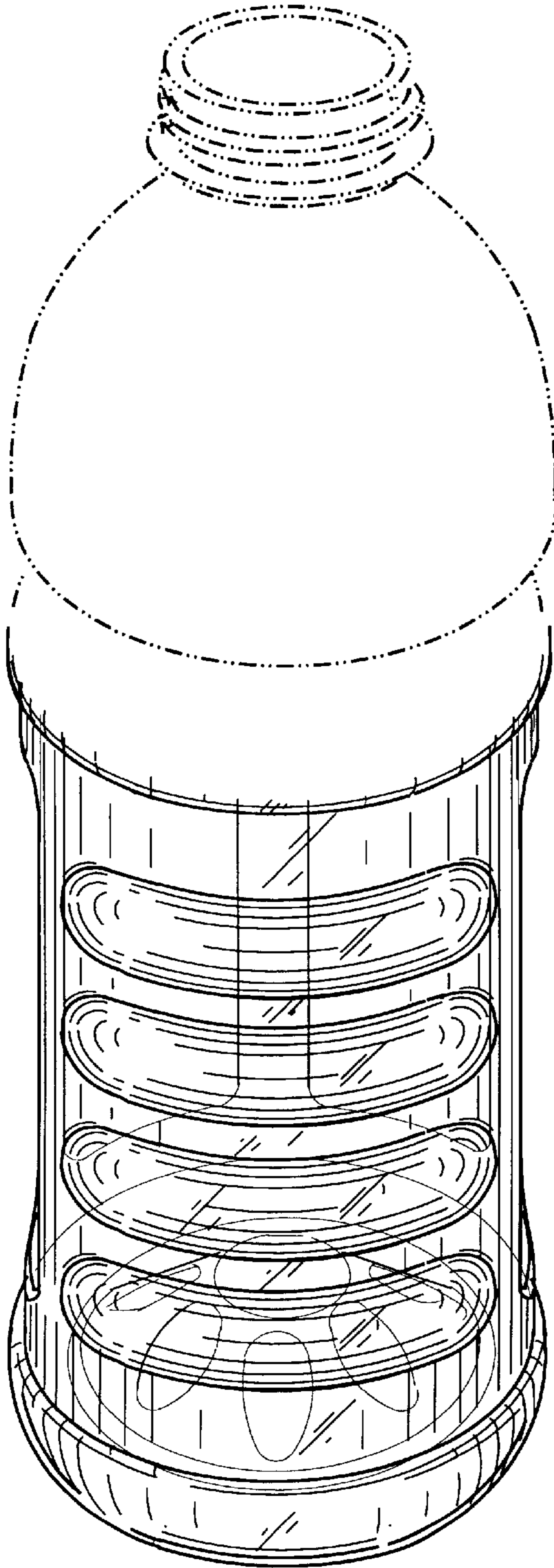


FIG. 12

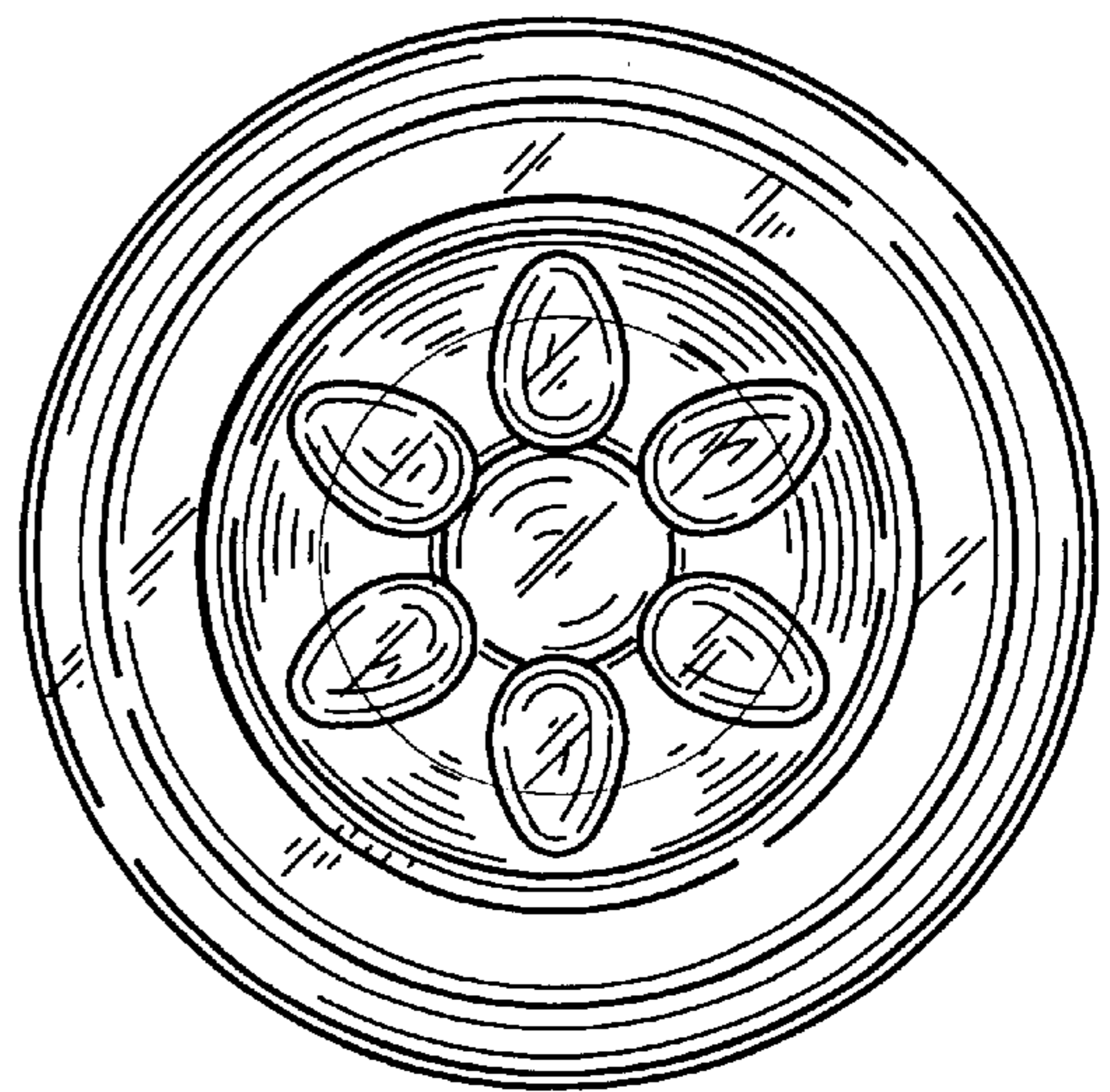


FIG. 8

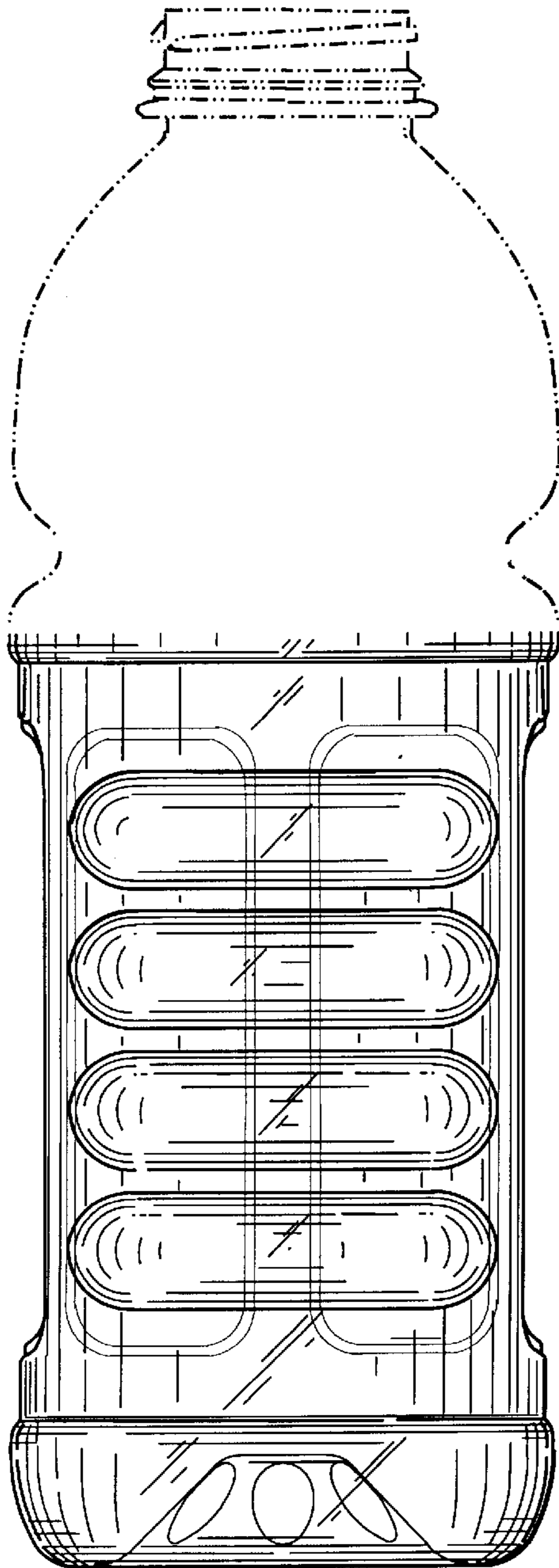


FIG. 9

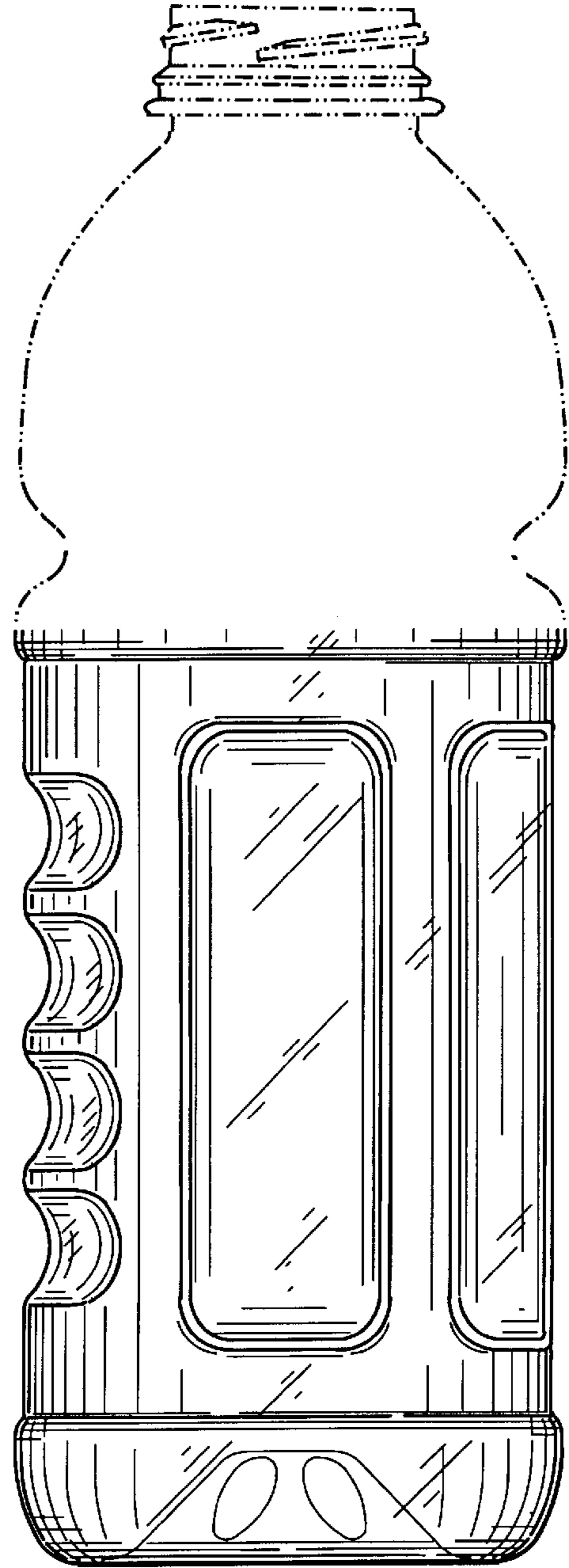


FIG. 10

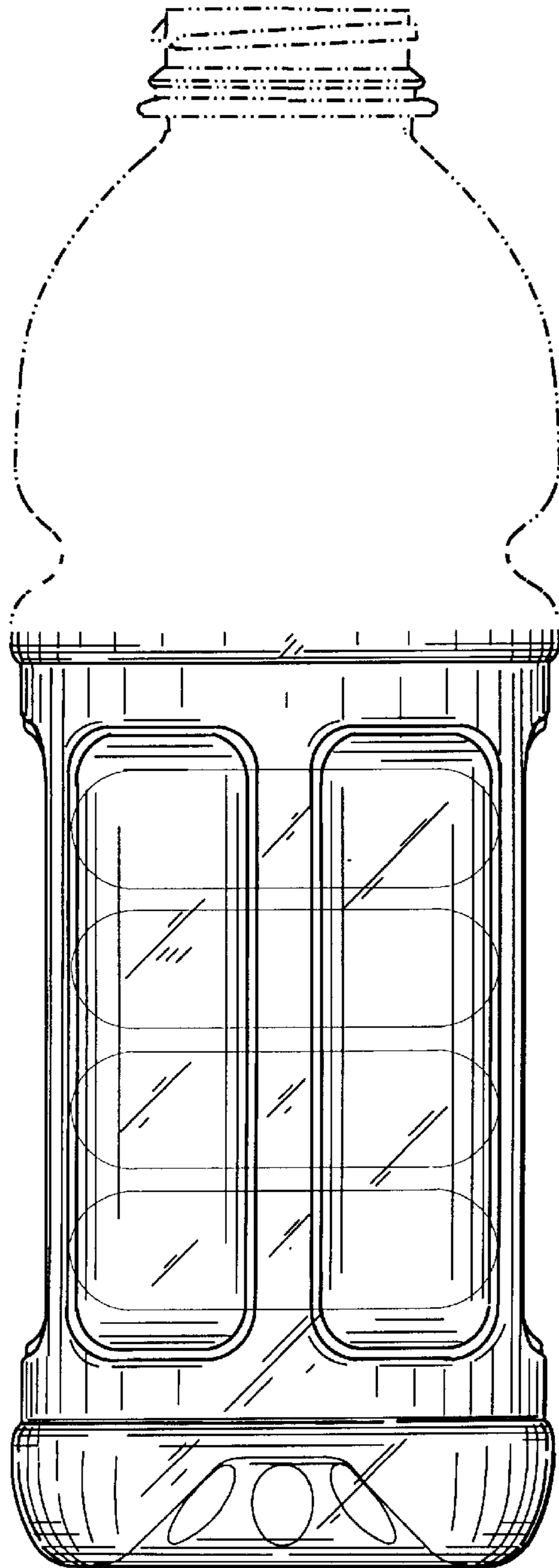


FIG. 11

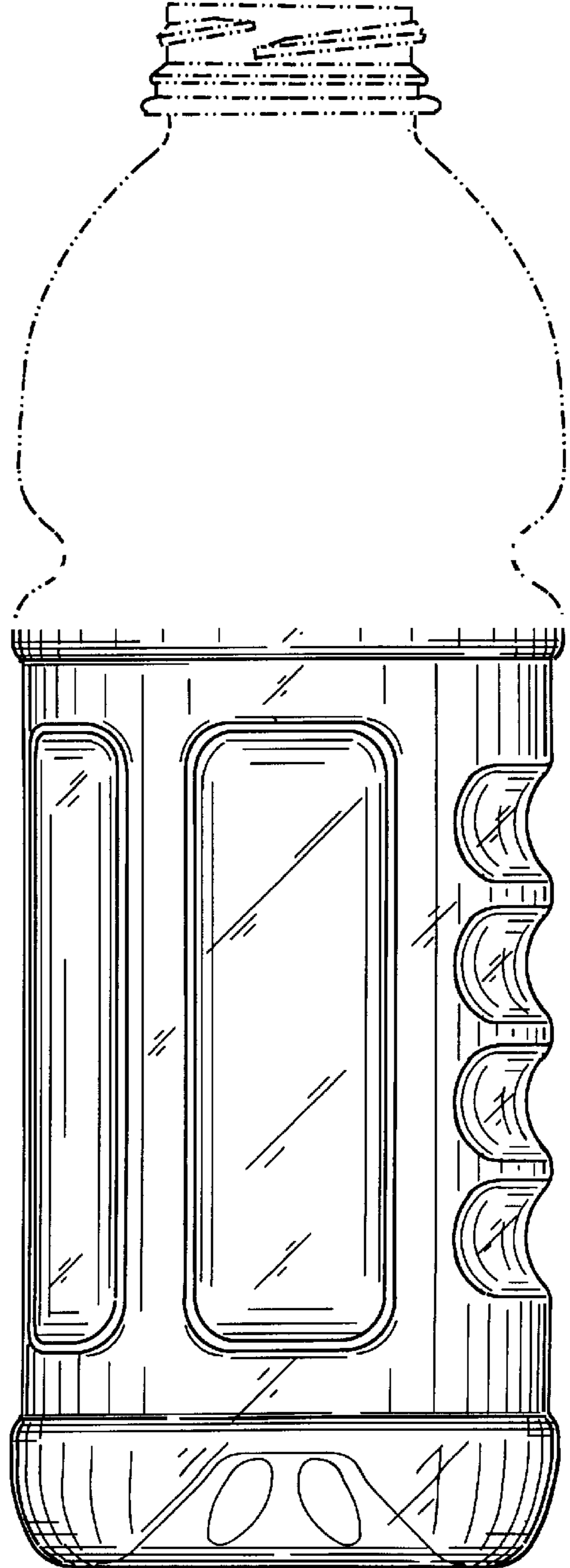


FIG. 13

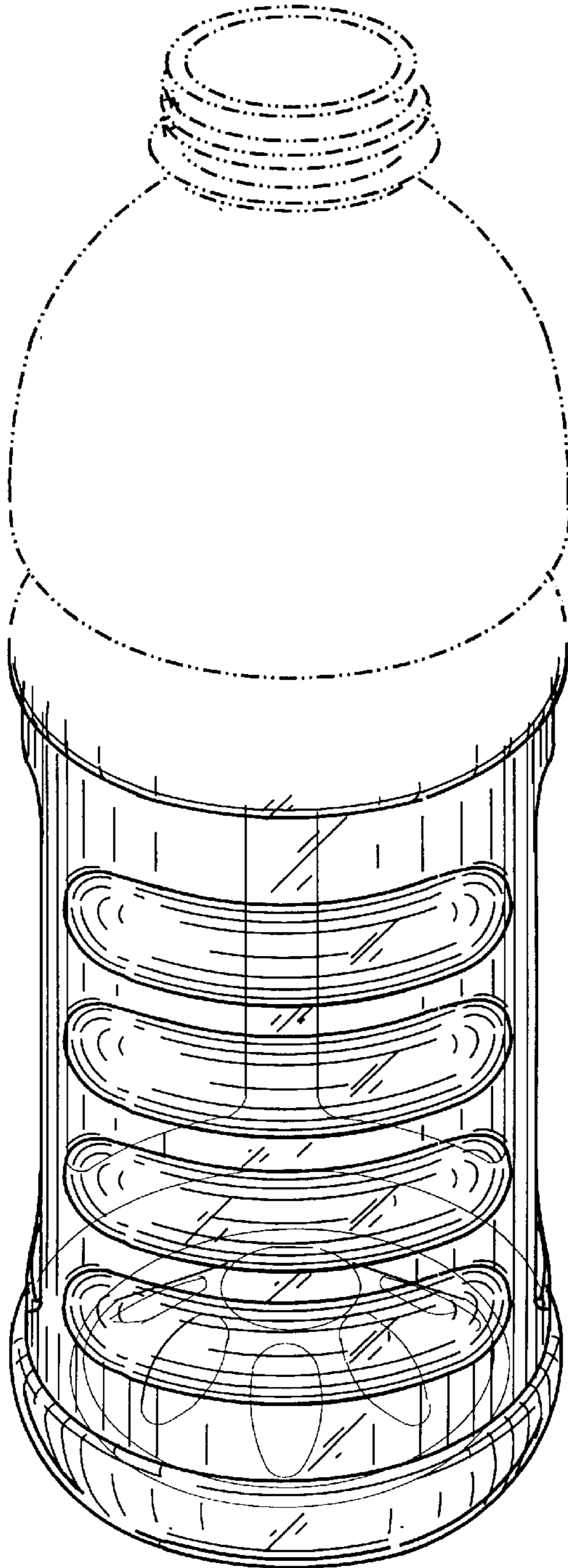


FIG. 18

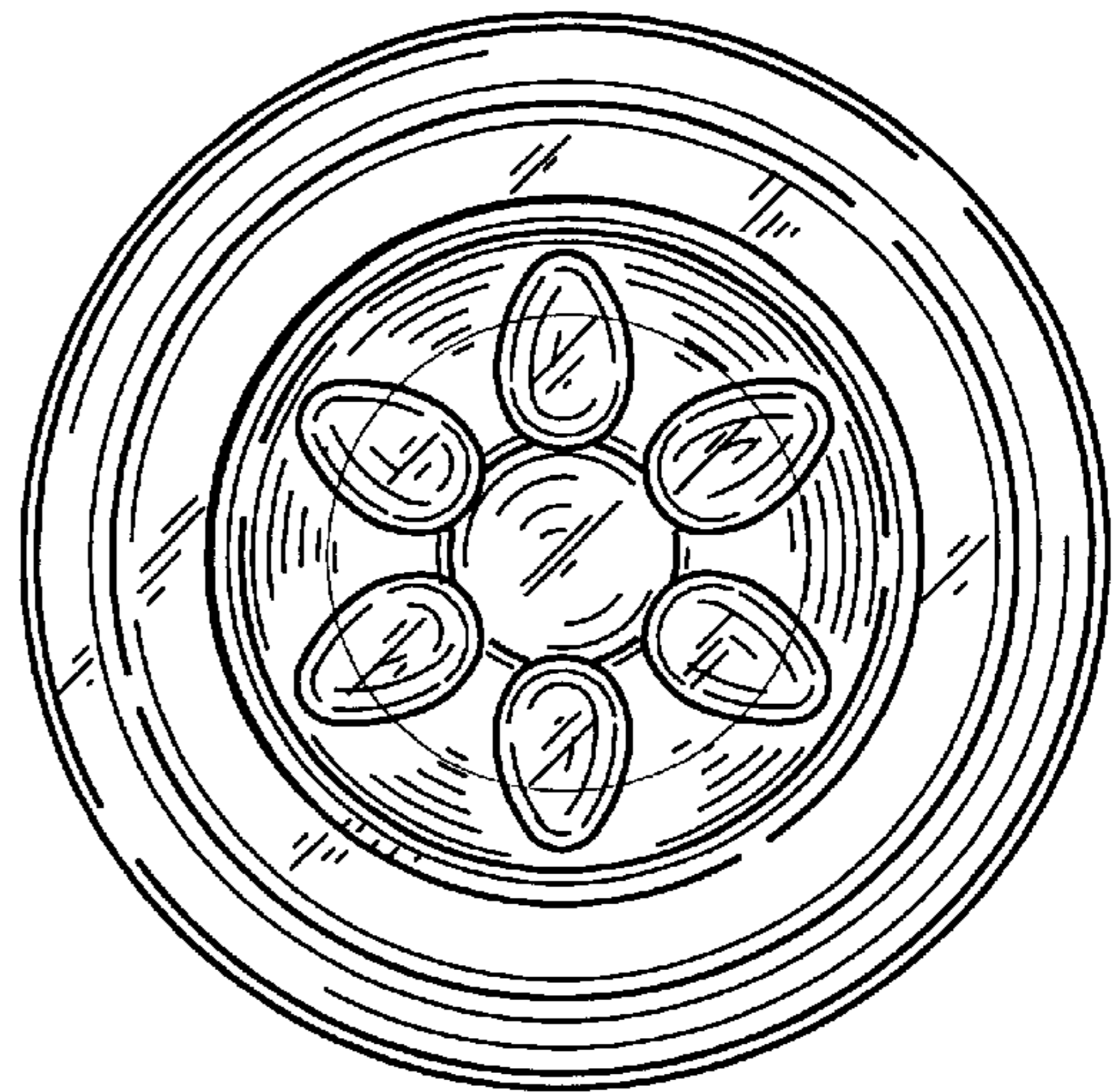


FIG. 14

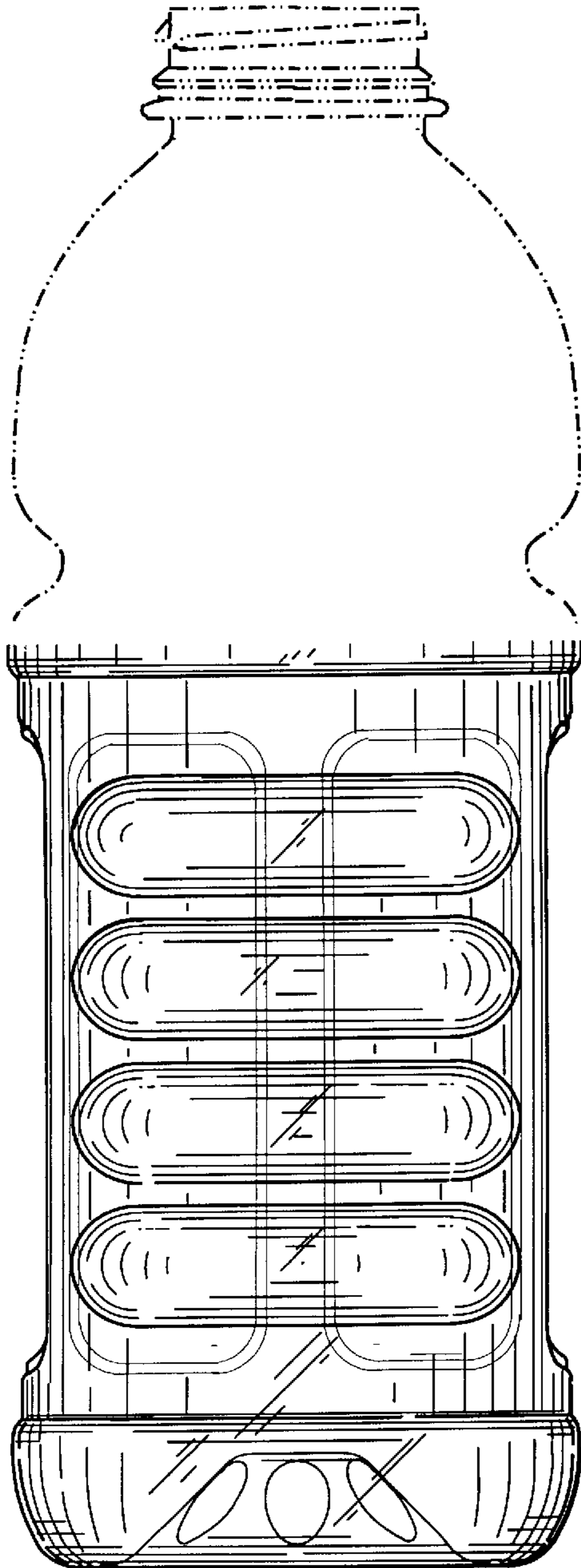


FIG. 15

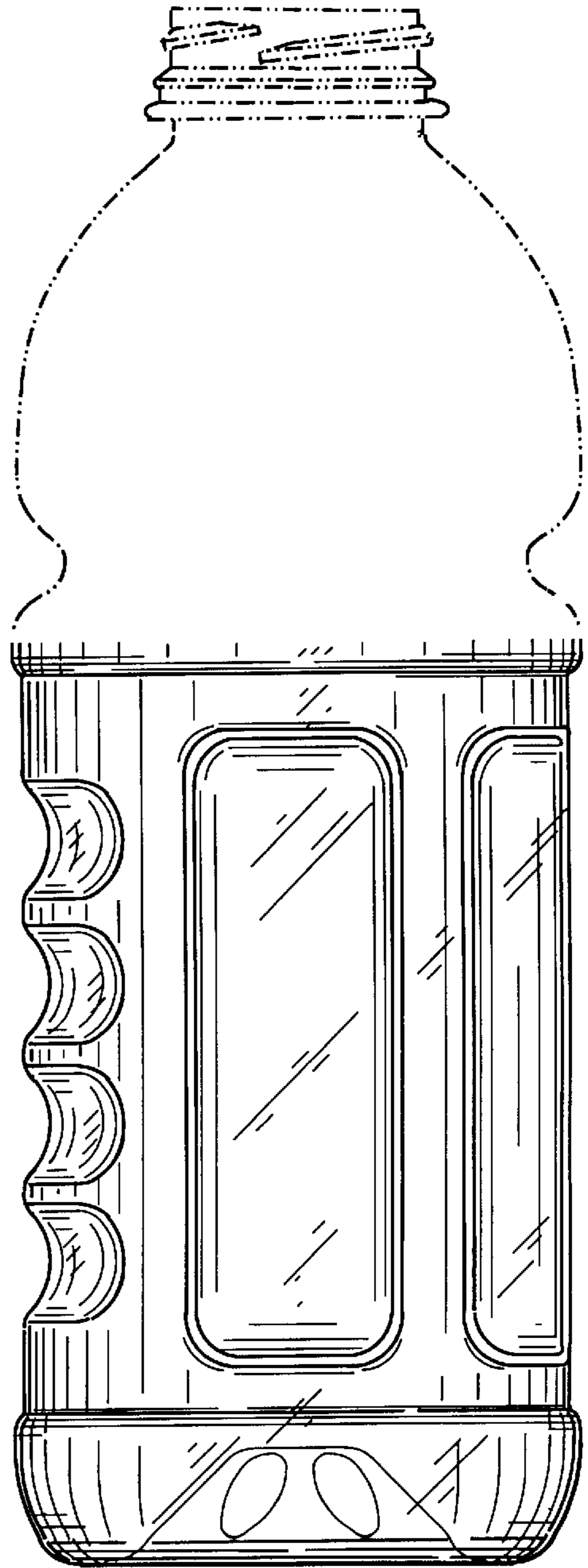


FIG. 16

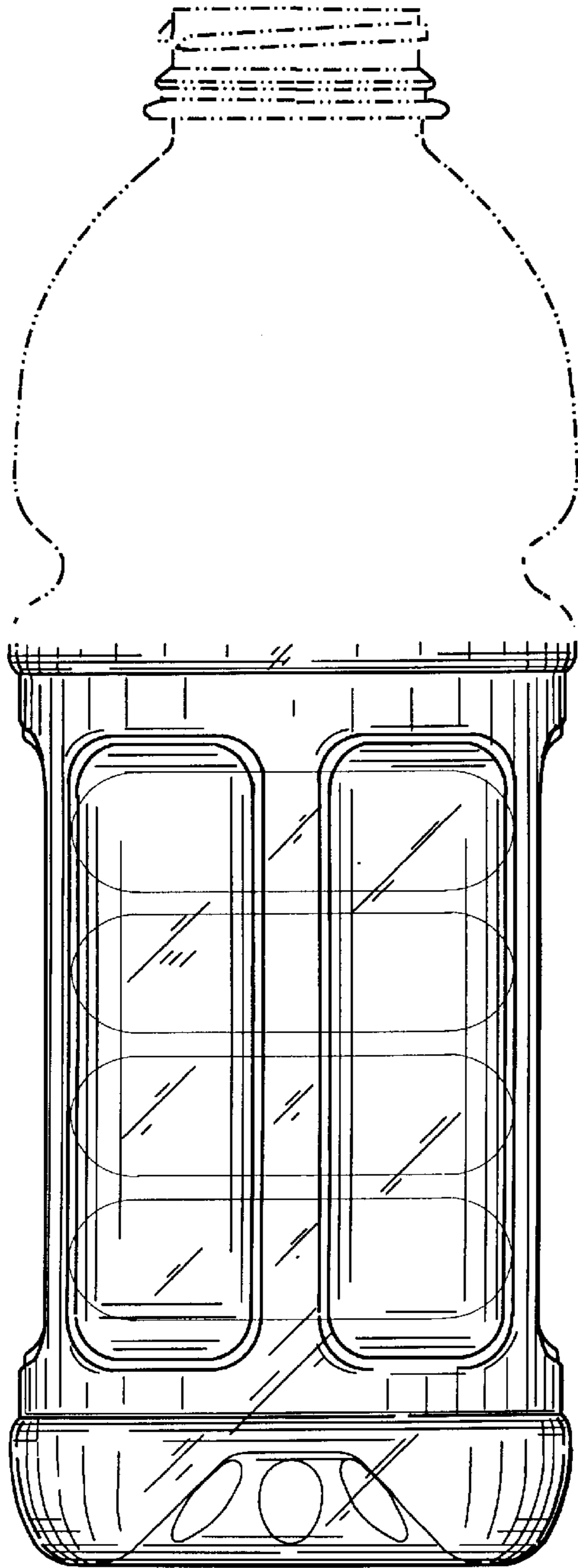


FIG. 17

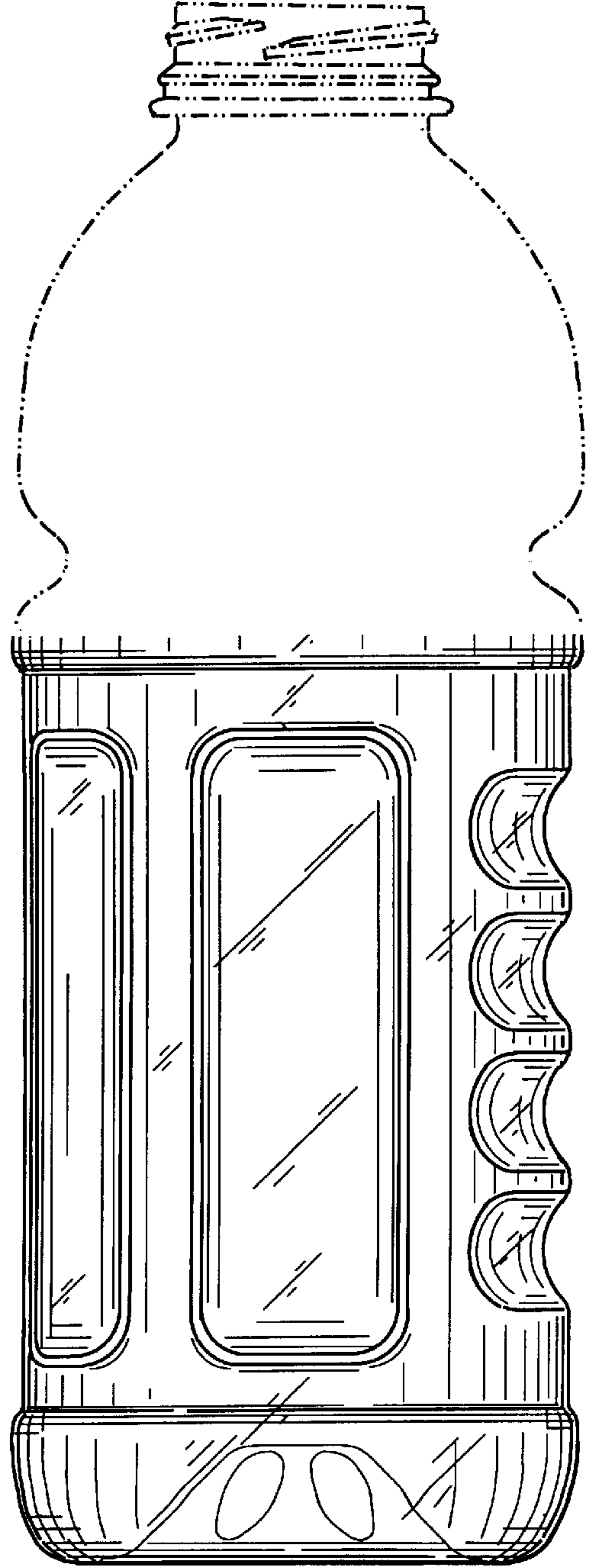


FIG. 19

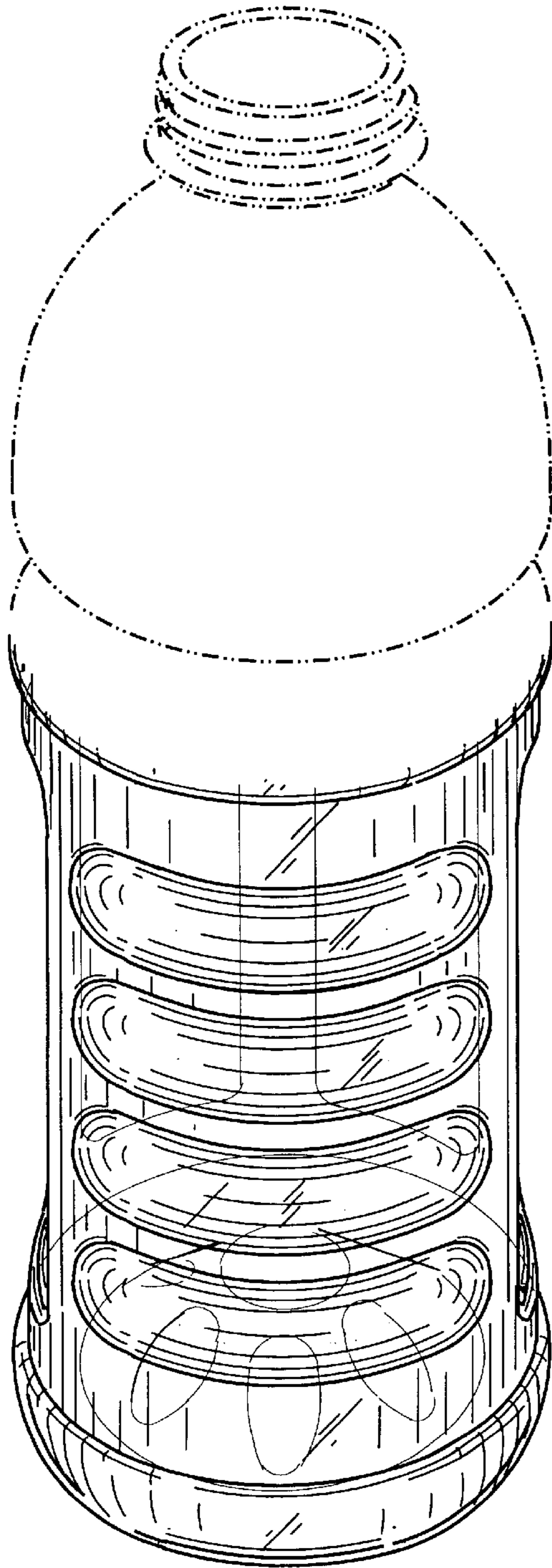


FIG. 24

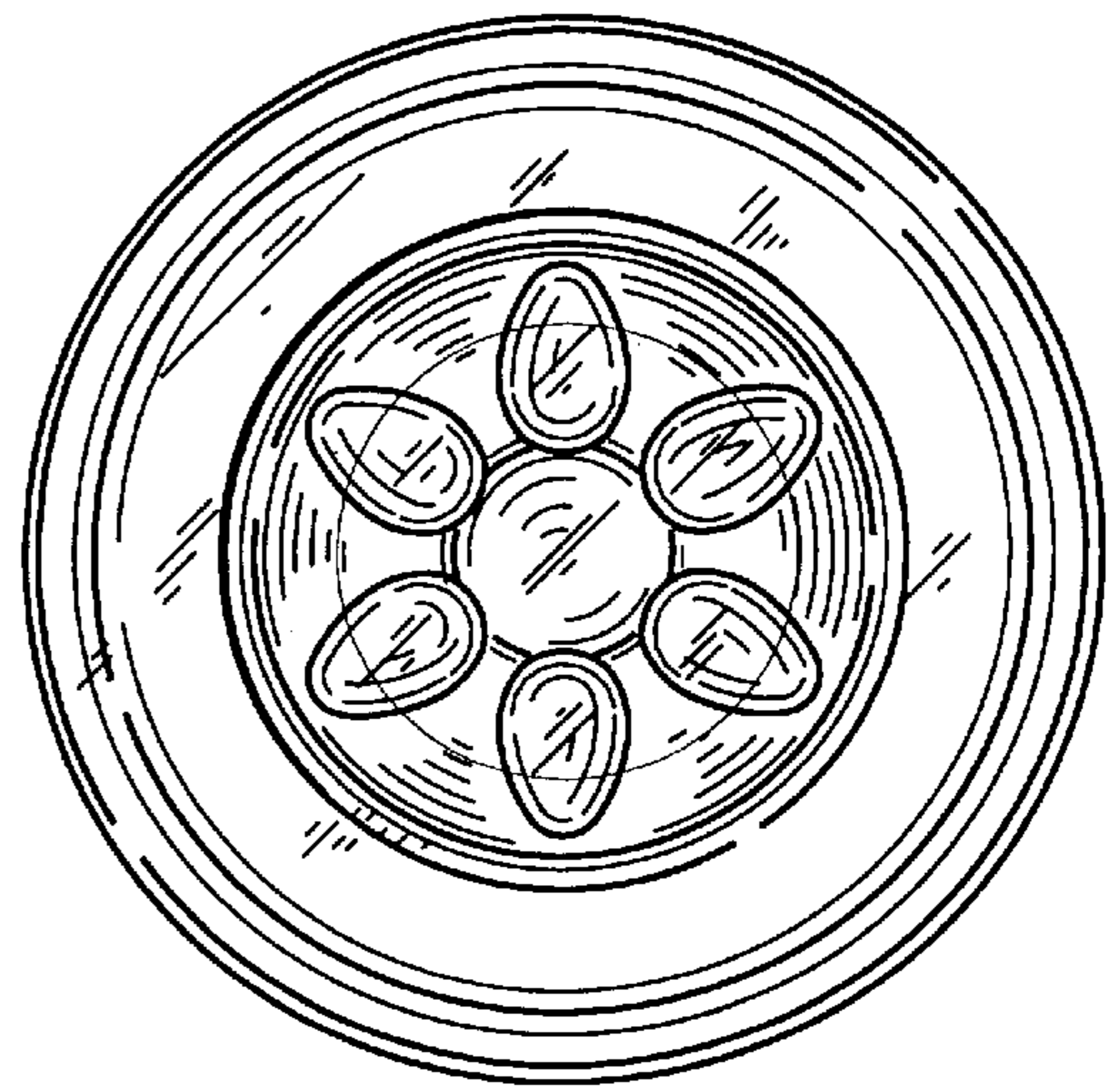


FIG. 20

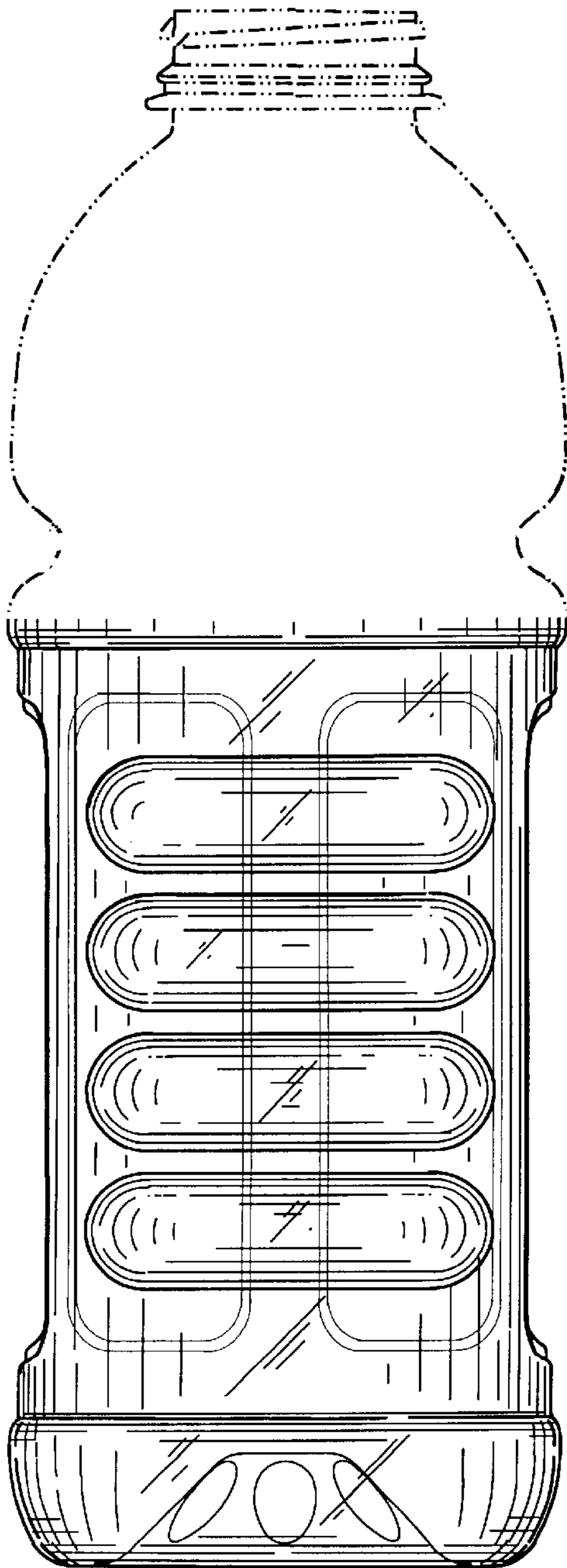


FIG. 21

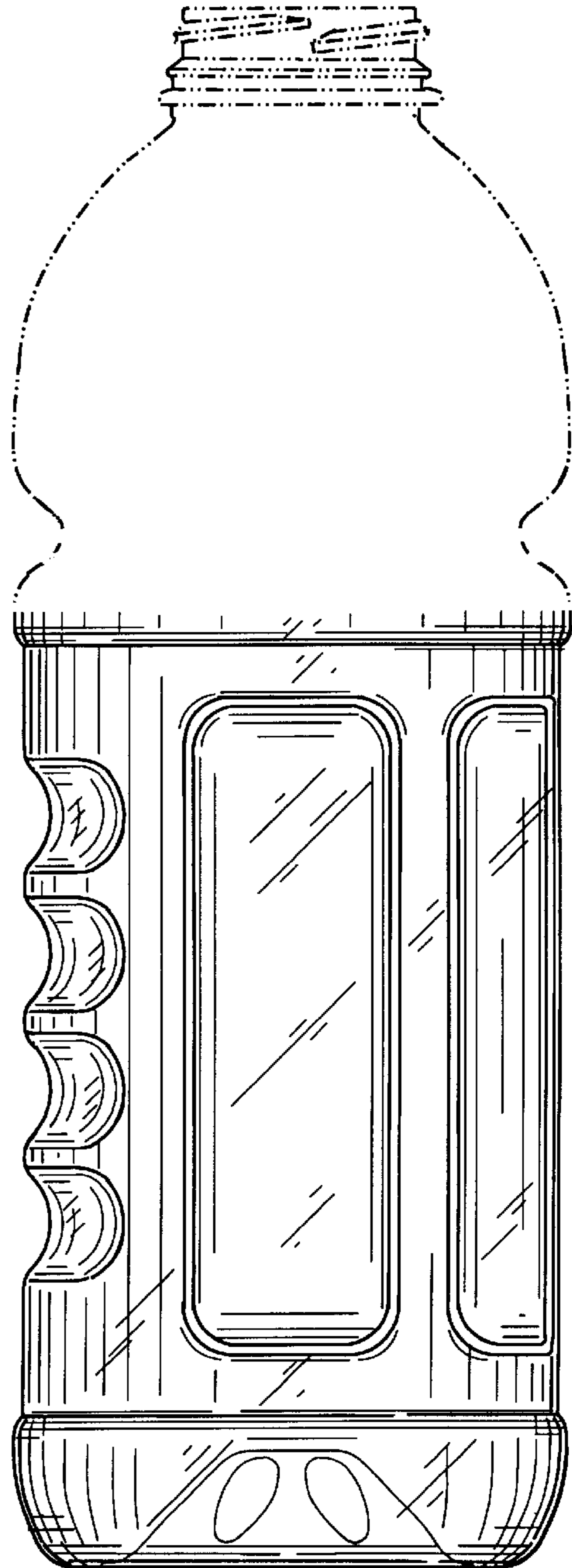


FIG. 22

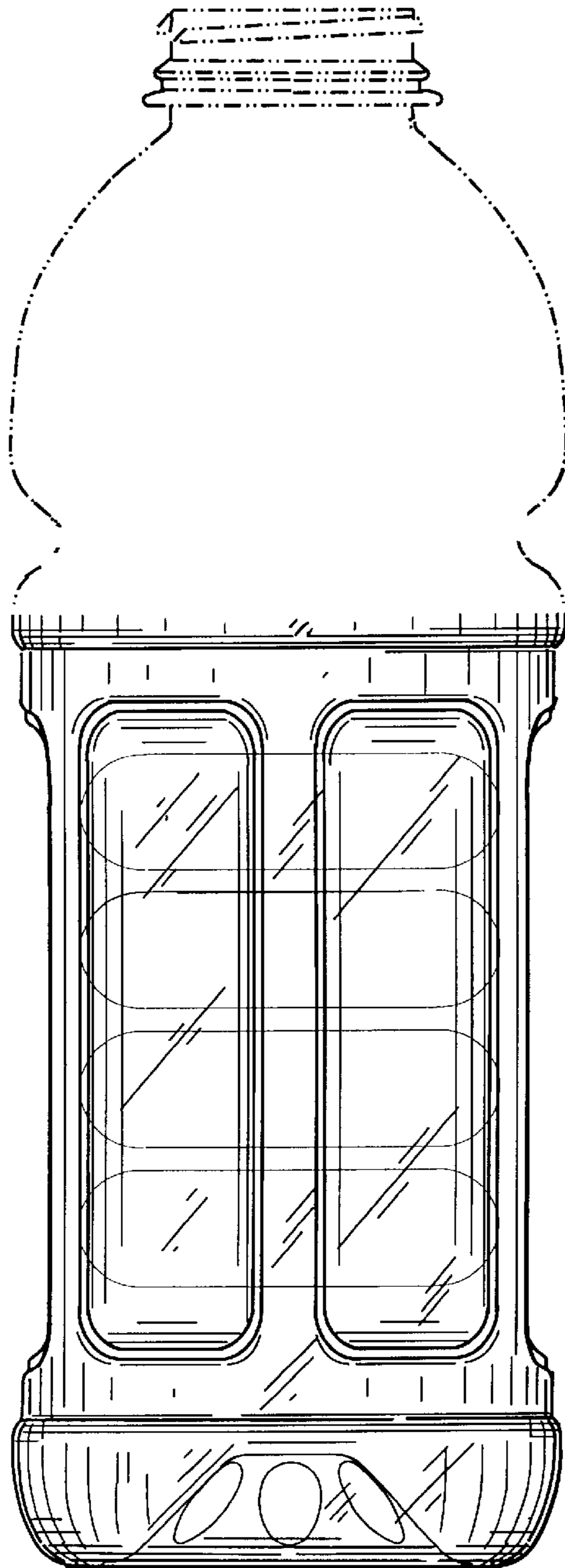


FIG. 23

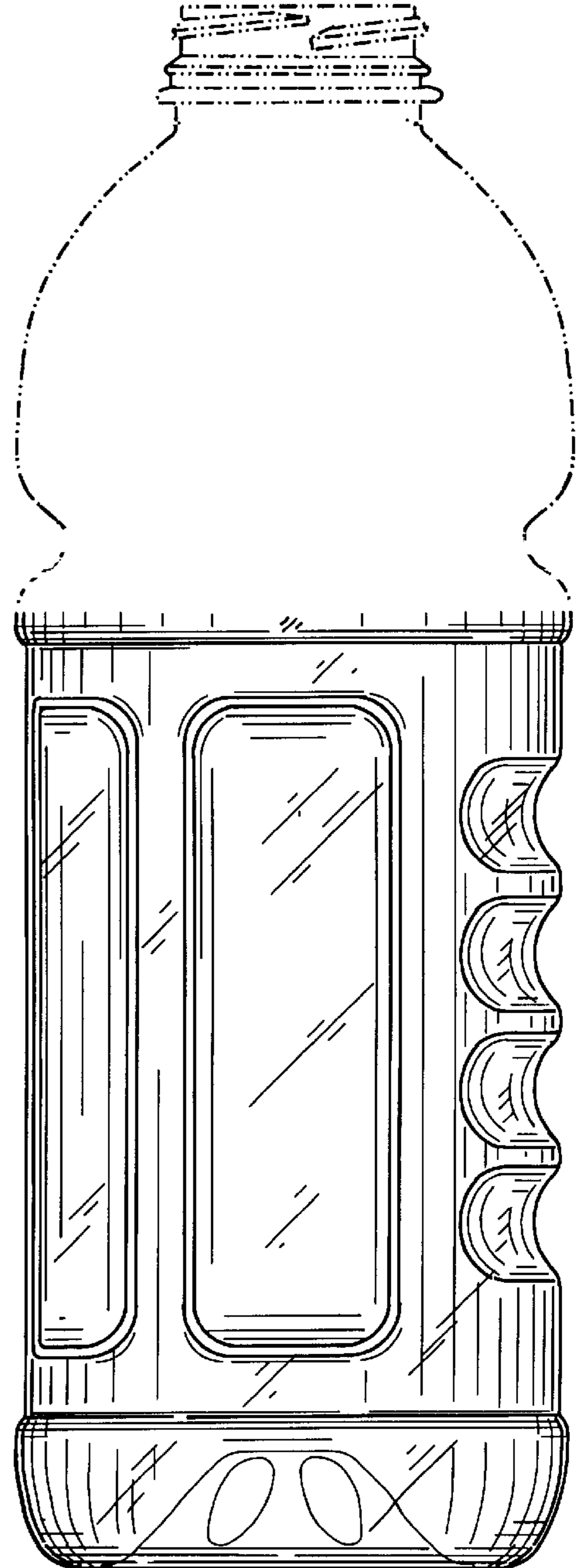


FIG. 25

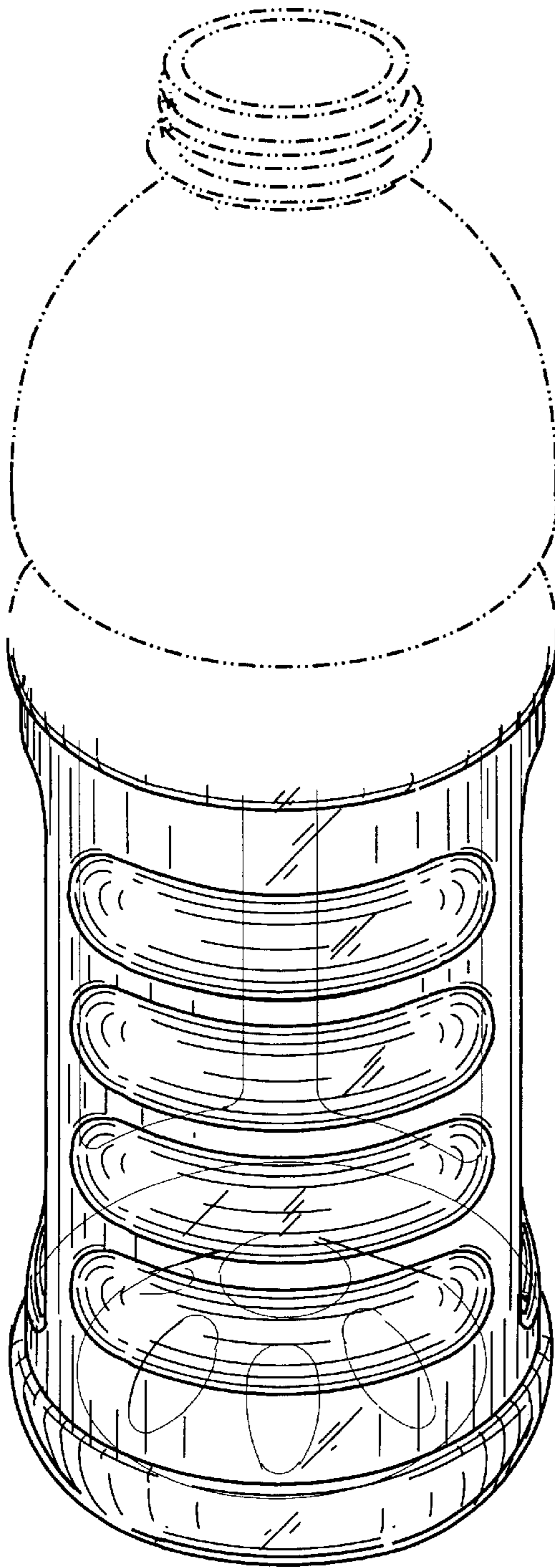


FIG. 30

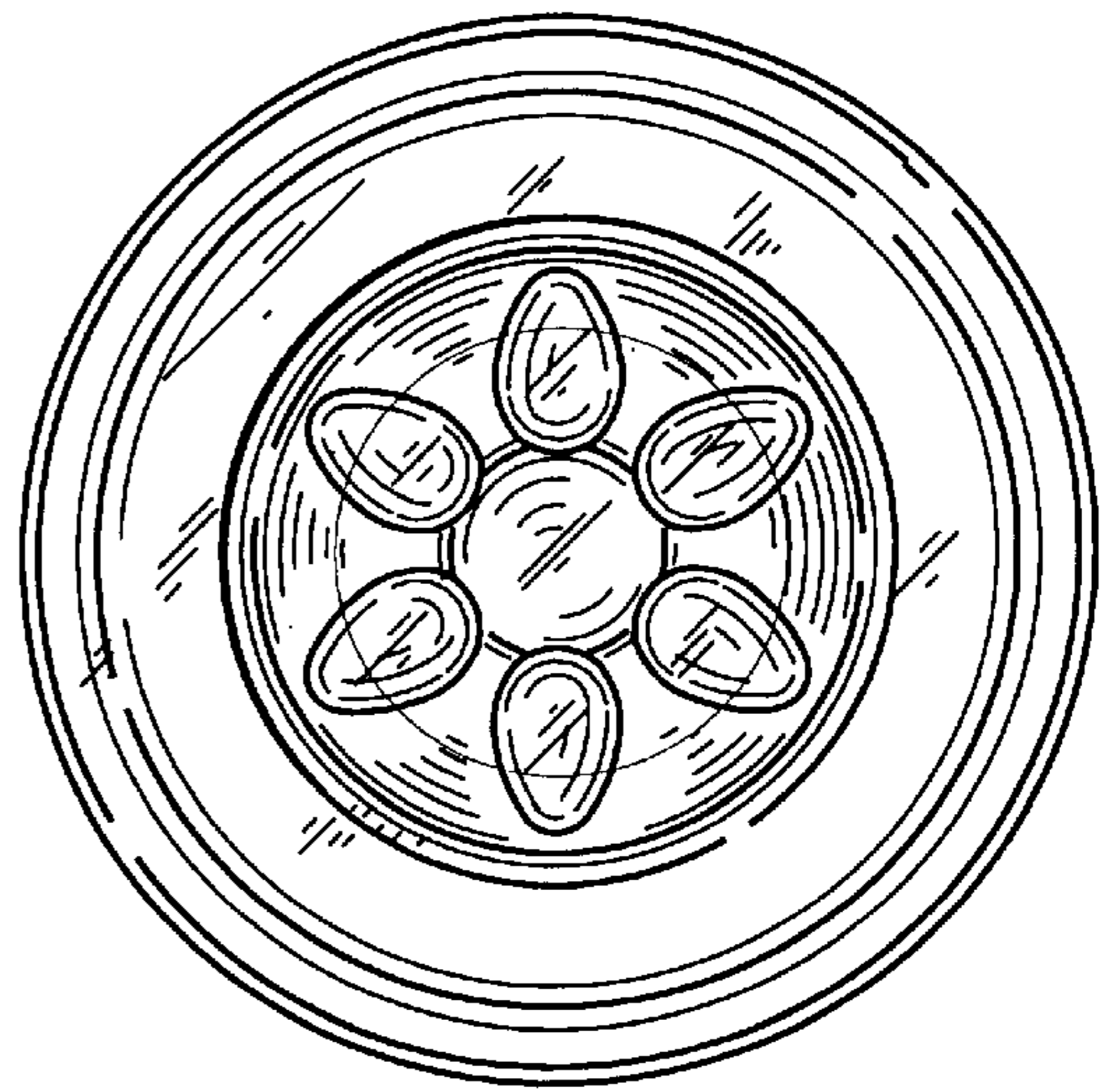


FIG. 26

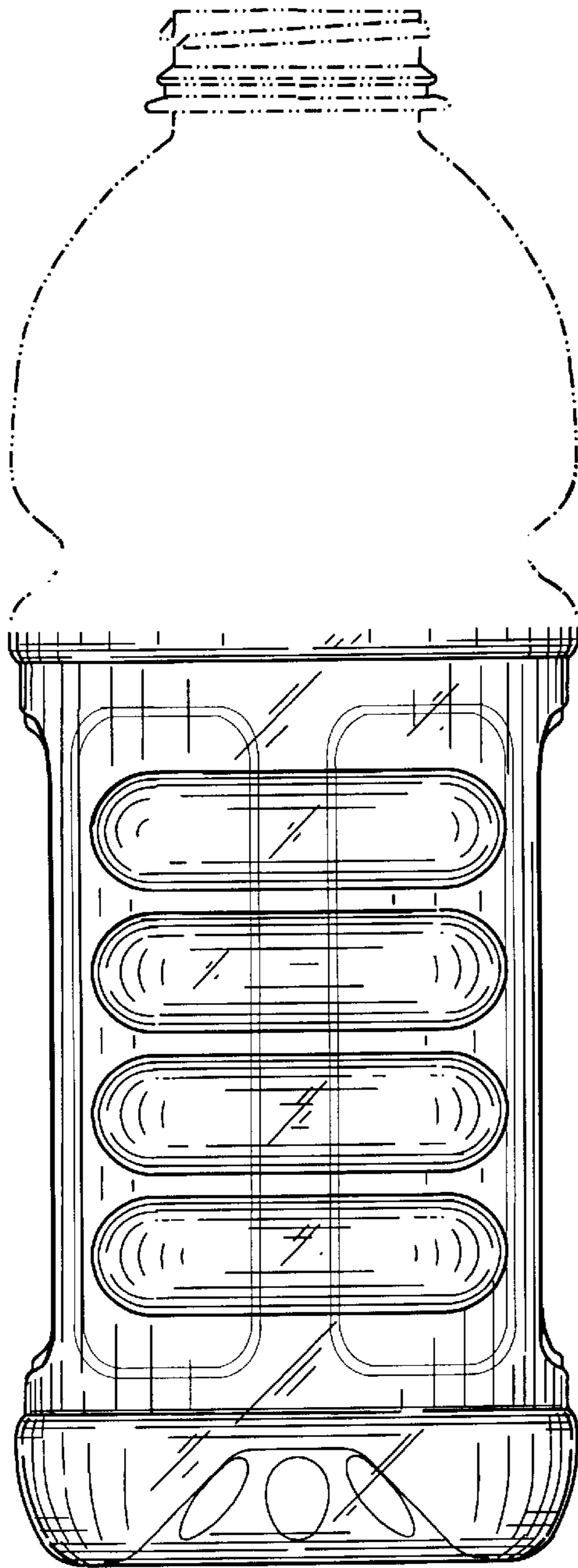


FIG. 27

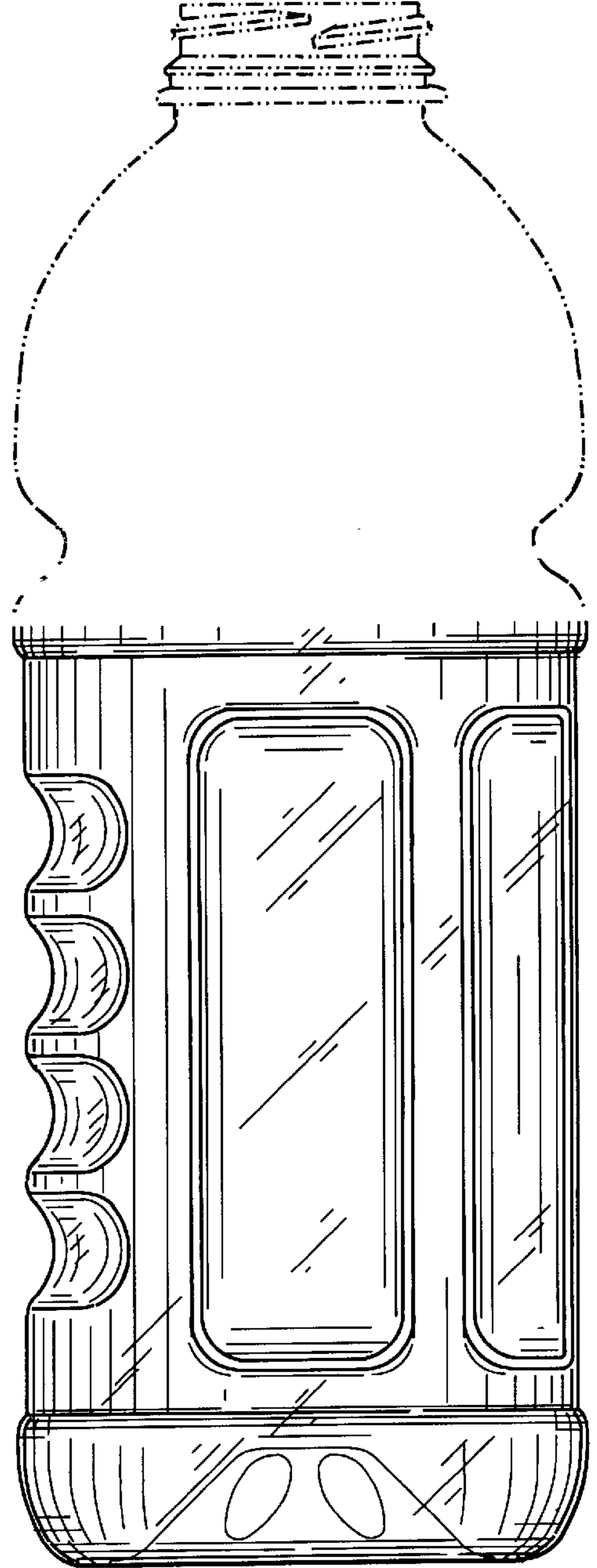


FIG. 28

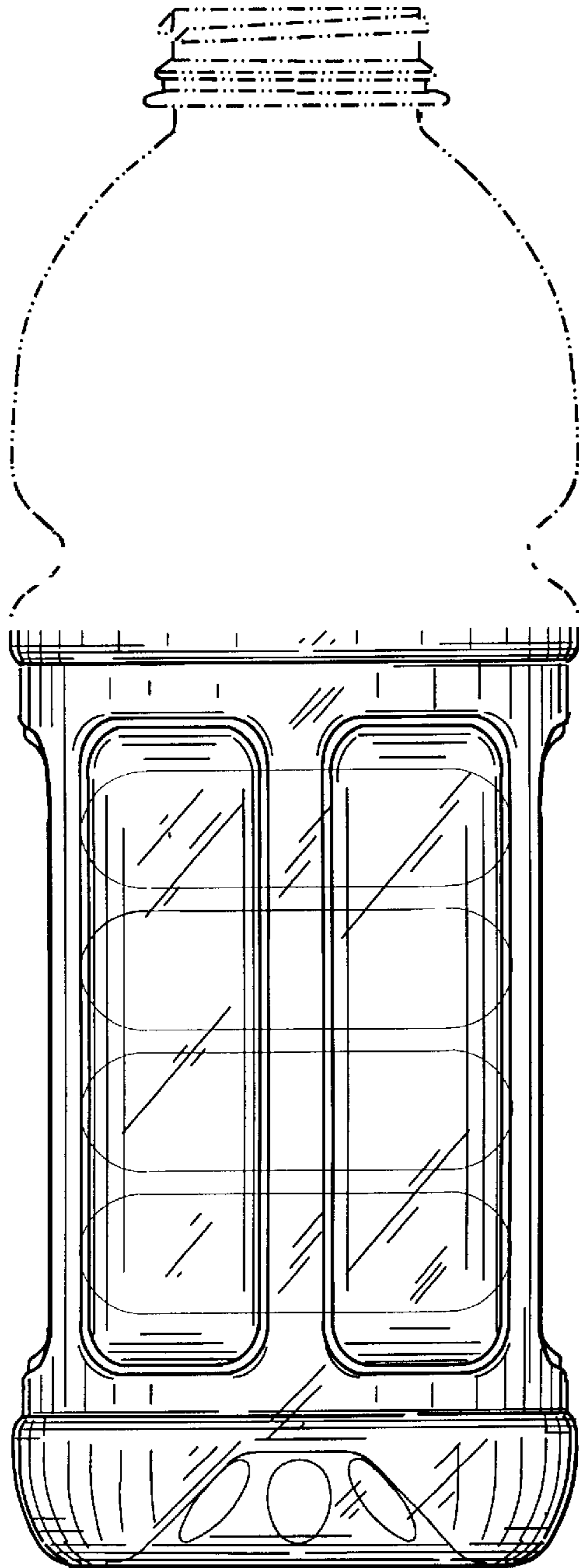


FIG. 29

