



US00D436040S

(12) **United States Design Patent**  
**Warner et al.**

(10) **Patent No.: US D436,040 S**  
(45) **Date of Patent: \*\* Jan. 9, 2001**

(54) **CONTAINER CAP**

(75) Inventors: **Jim F. Warner**, Hoboken; **Robert J. Croft**, Jersey City, both of NJ (US);  
**Martin Short**; **Insun Yun**, both of New York, NY (US)

(73) Assignee: **Nestec S.A.**, Vevey (CH)

(\*\*) Term: **14 Years**

(21) Appl. No.: **29/121,509**

(22) Filed: **Apr. 5, 2000**

(51) **LOC (7) Cl.** ..... **09-07**

(52) **U.S. Cl.** ..... **D9/449**

(58) **Field of Search** ..... D9/302, 503, 529,  
D9/435, 440, 447, 449, 450, 453; 215/235,  
236, 237; 220/244, 254, 334, 336; 222/543,  
544, 546, 556, 562

(56) **References Cited**

**U.S. PATENT DOCUMENTS**

- D. 358,760 \* 5/1995 Sherman et al. .... D9/302
- D. 374,399 \* 10/1996 Neveras et al. .... D9/447
- D. 398,852 \* 9/1998 Gross ..... D9/453
- D. 426,773 \* 6/2000 Warner et al. .... D9/503
- 4,377,247 \* 3/1983 Hazard et al. .... 215/235 X

- 4,463,882 \* 8/1984 Hammett ..... 222/546 X
- 4,506,810 \* 3/1985 Goncalves ..... 222/543 X
- 5,007,555 \* 4/1991 Beck ..... 215/235 X
- 5,927,535 \* 7/1999 Goth ..... 220/254
- 5,938,087 \* 8/1999 Randall ..... 222/556 X
- 6,089,419 \* 7/2000 Gross ..... 222/556 X

\* cited by examiner

*Primary Examiner*—Cathron Brooks

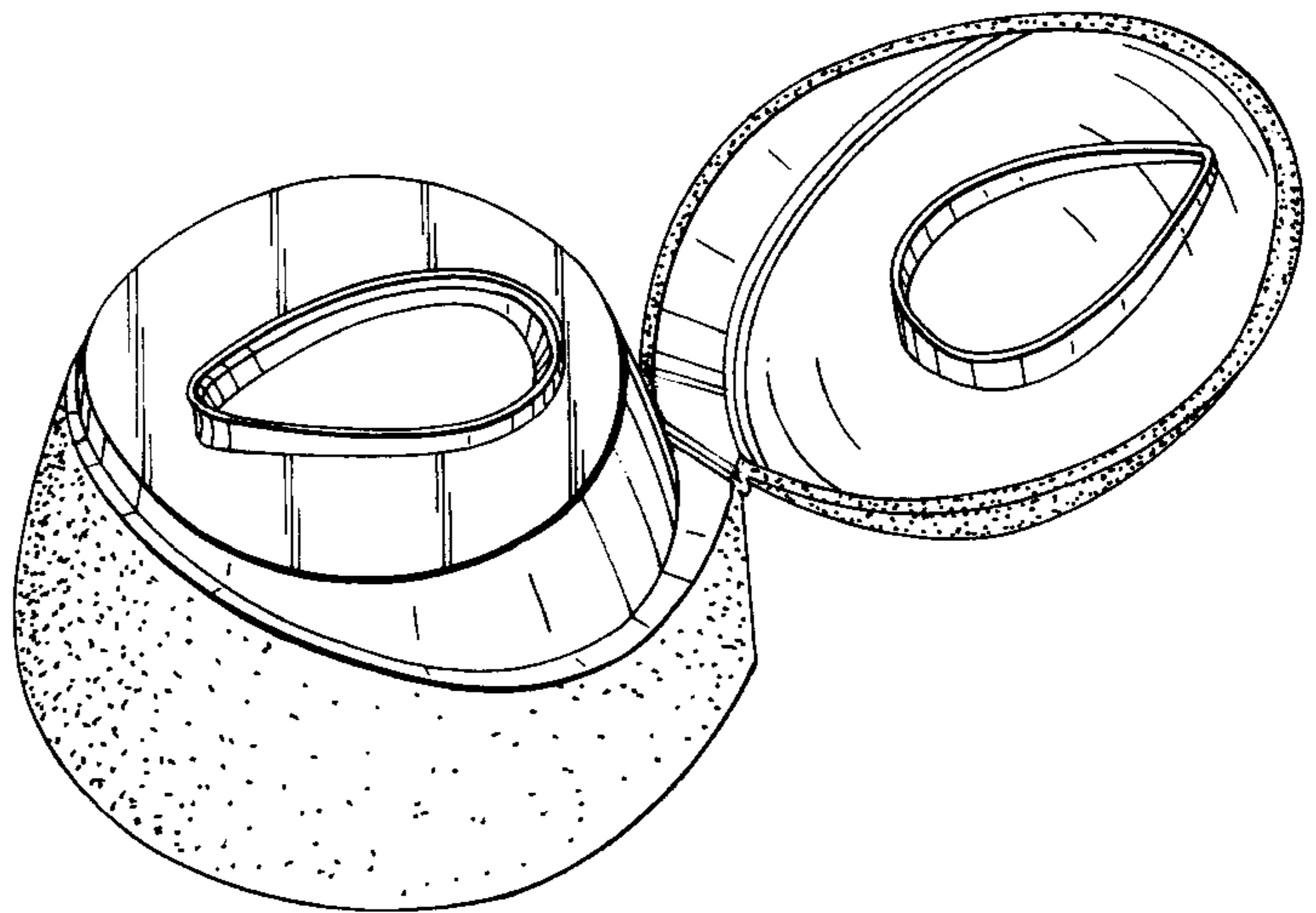
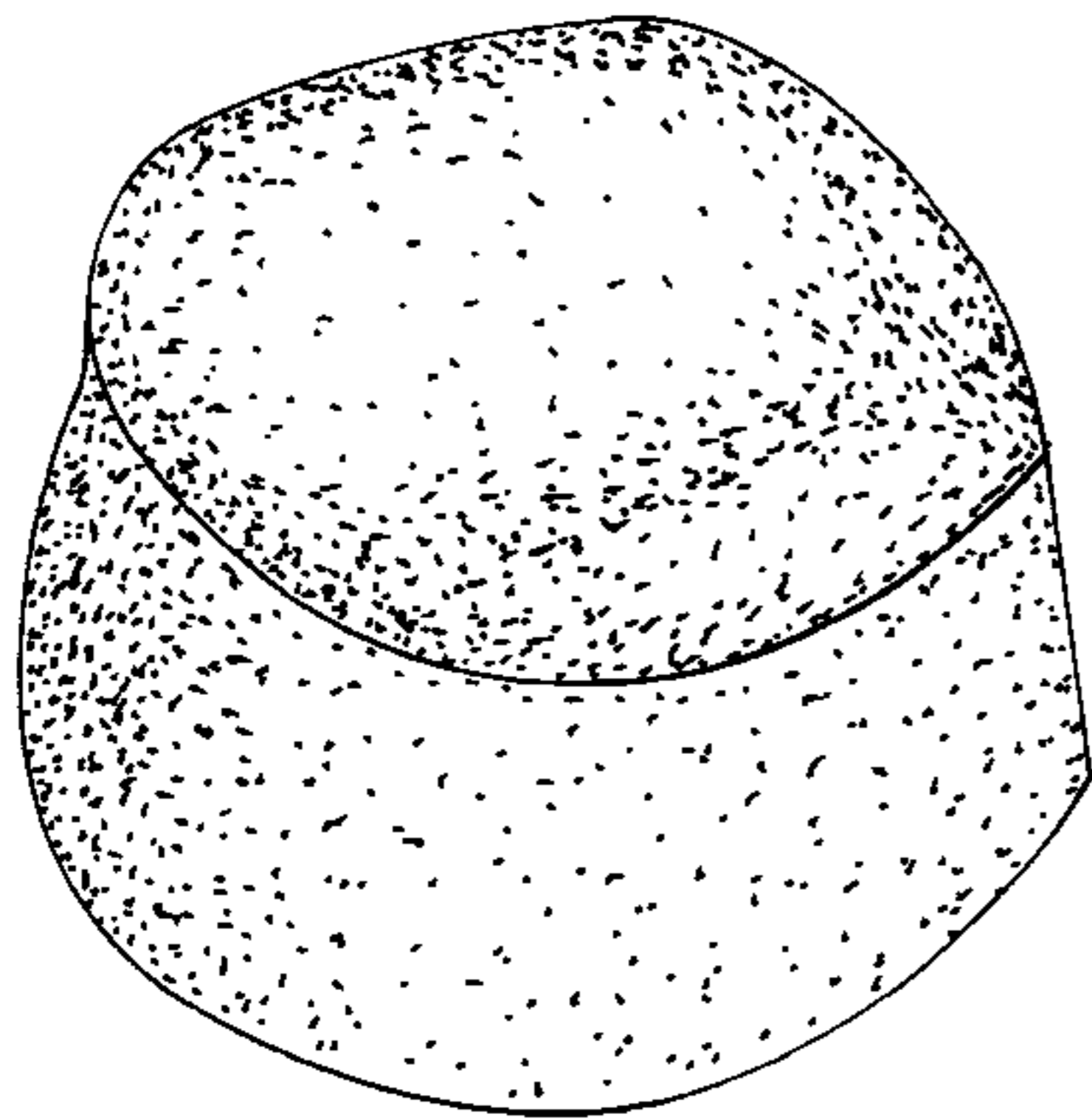
(57) **CLAIM**

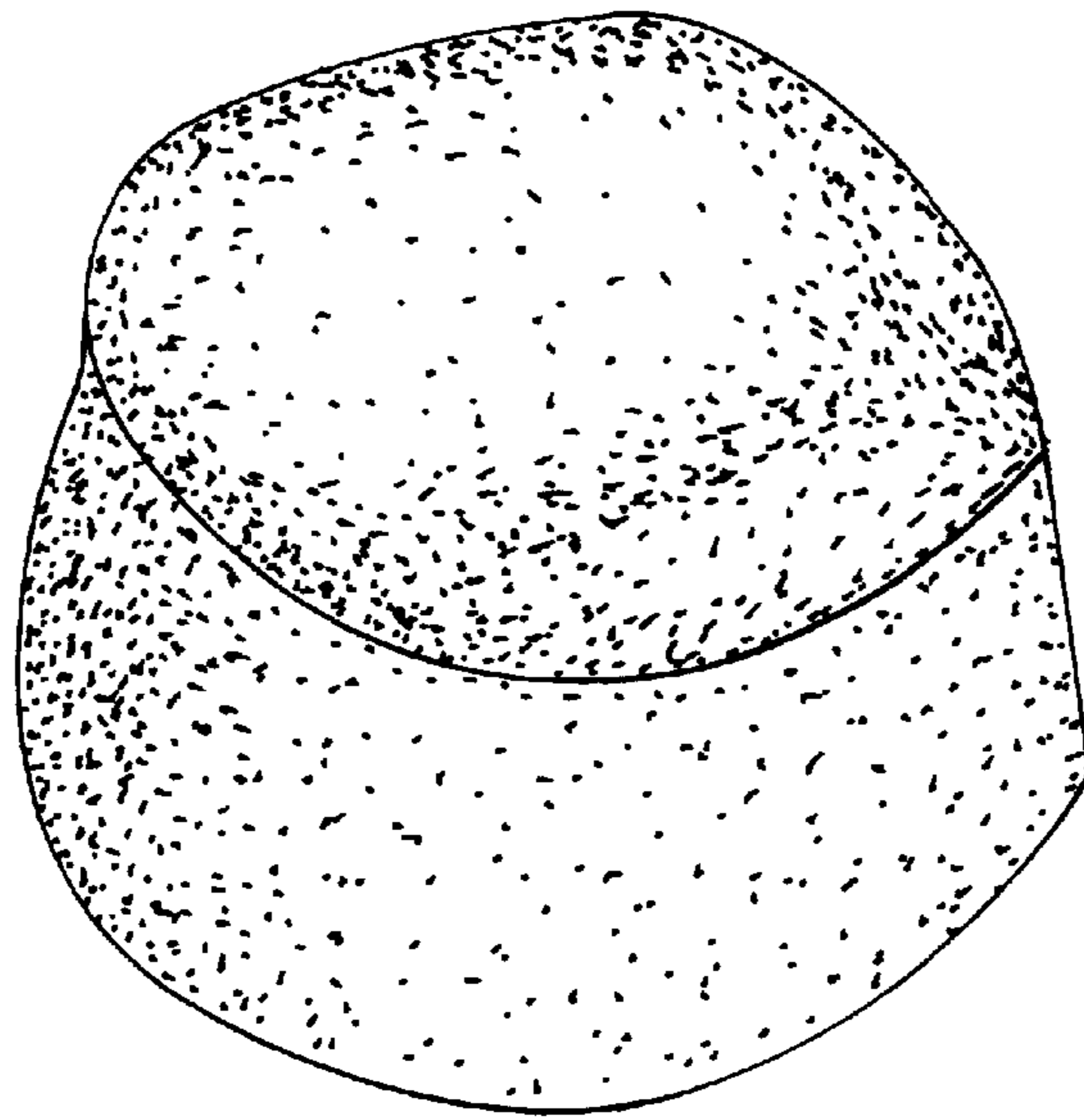
The ornamental design for a container cap, as shown and described.

**DESCRIPTION**

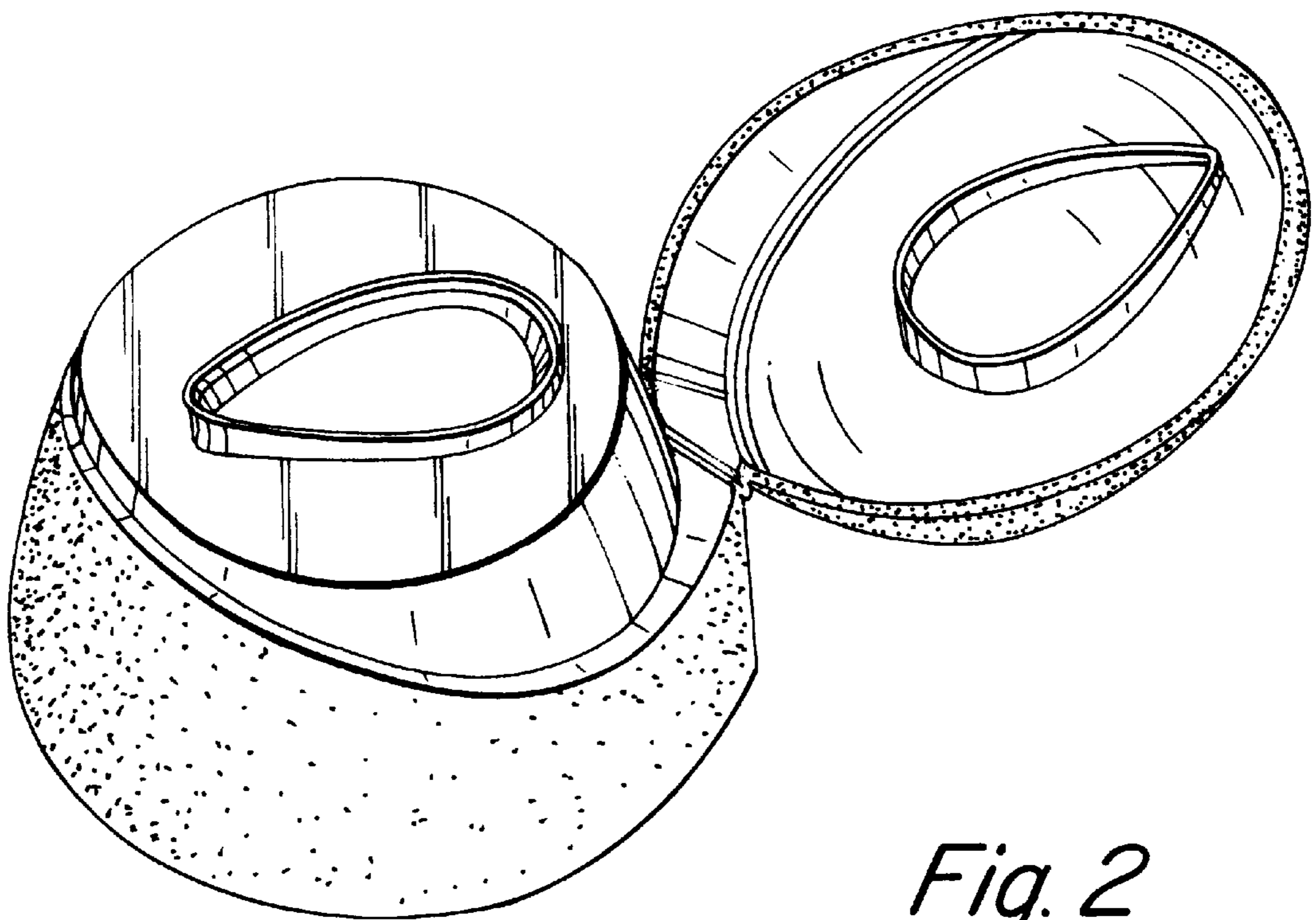
FIG. 1 is a perspective view of the container cap showing our new design in its closed orientation;  
 FIG. 2 is a perspective view of the container cap showing our new design in its open orientation;  
 FIG. 3 is a top plan view thereof;  
 FIG. 4 is a front elevational view thereof;  
 FIG. 5 is a right side elevational view thereof, the left side elevational view being a mirror image thereof;  
 FIG. 6 is a rear elevational view thereof; and,  
 FIG. 7 is a top plan view of the container cap showing our new design in its open orientation.

**1 Claim, 3 Drawing Sheets**

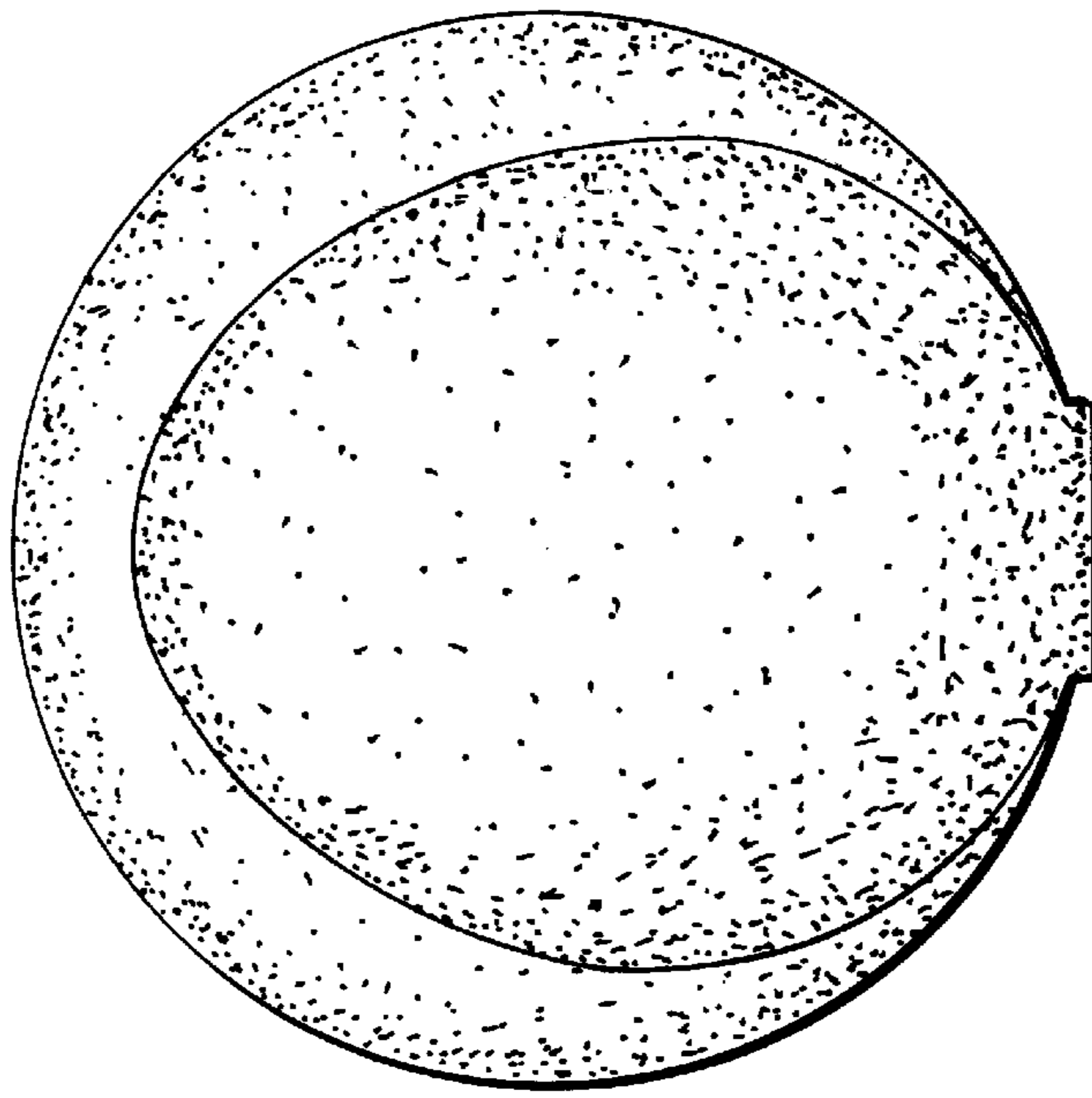




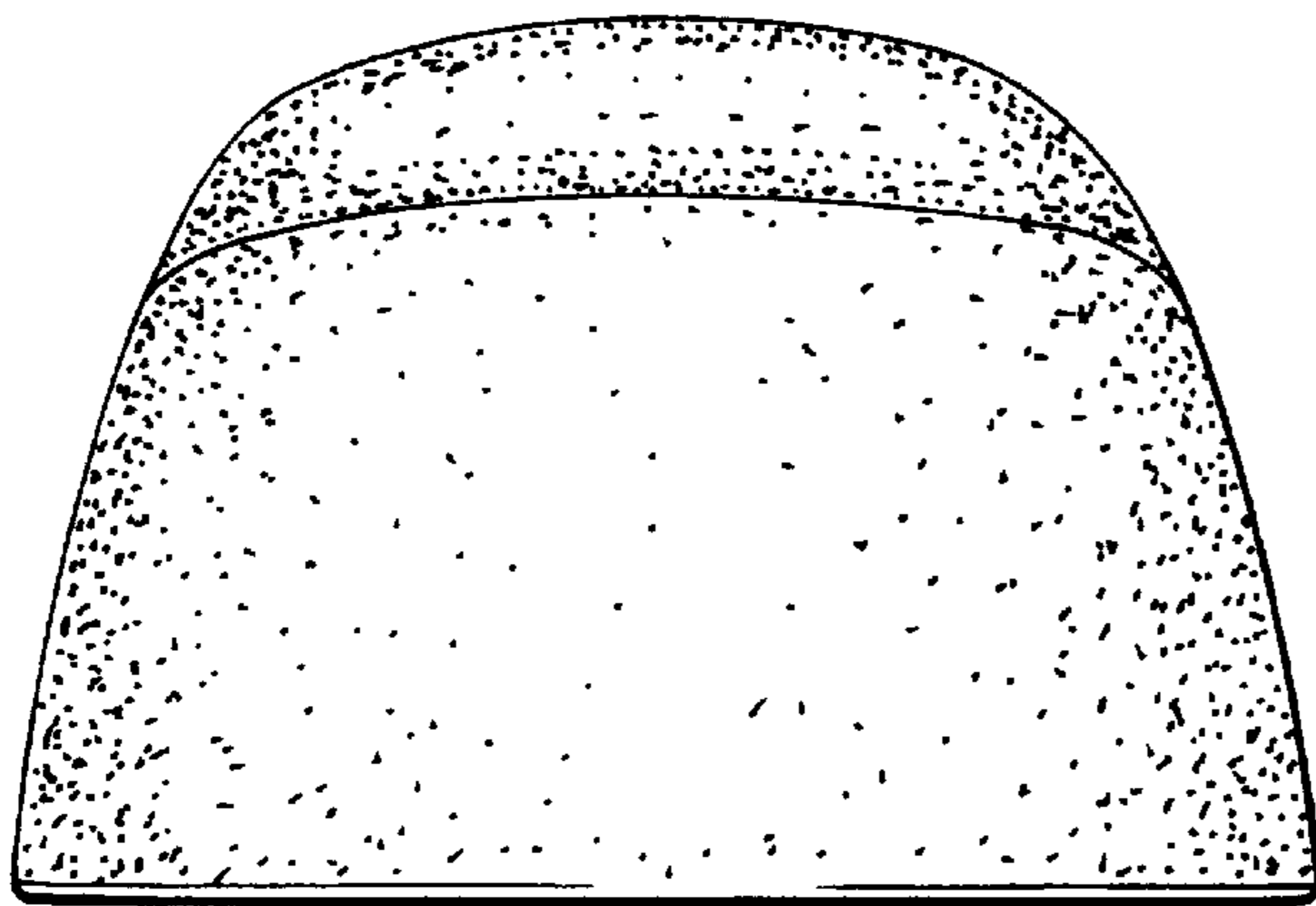
*Fig. 1*



*Fig. 2*

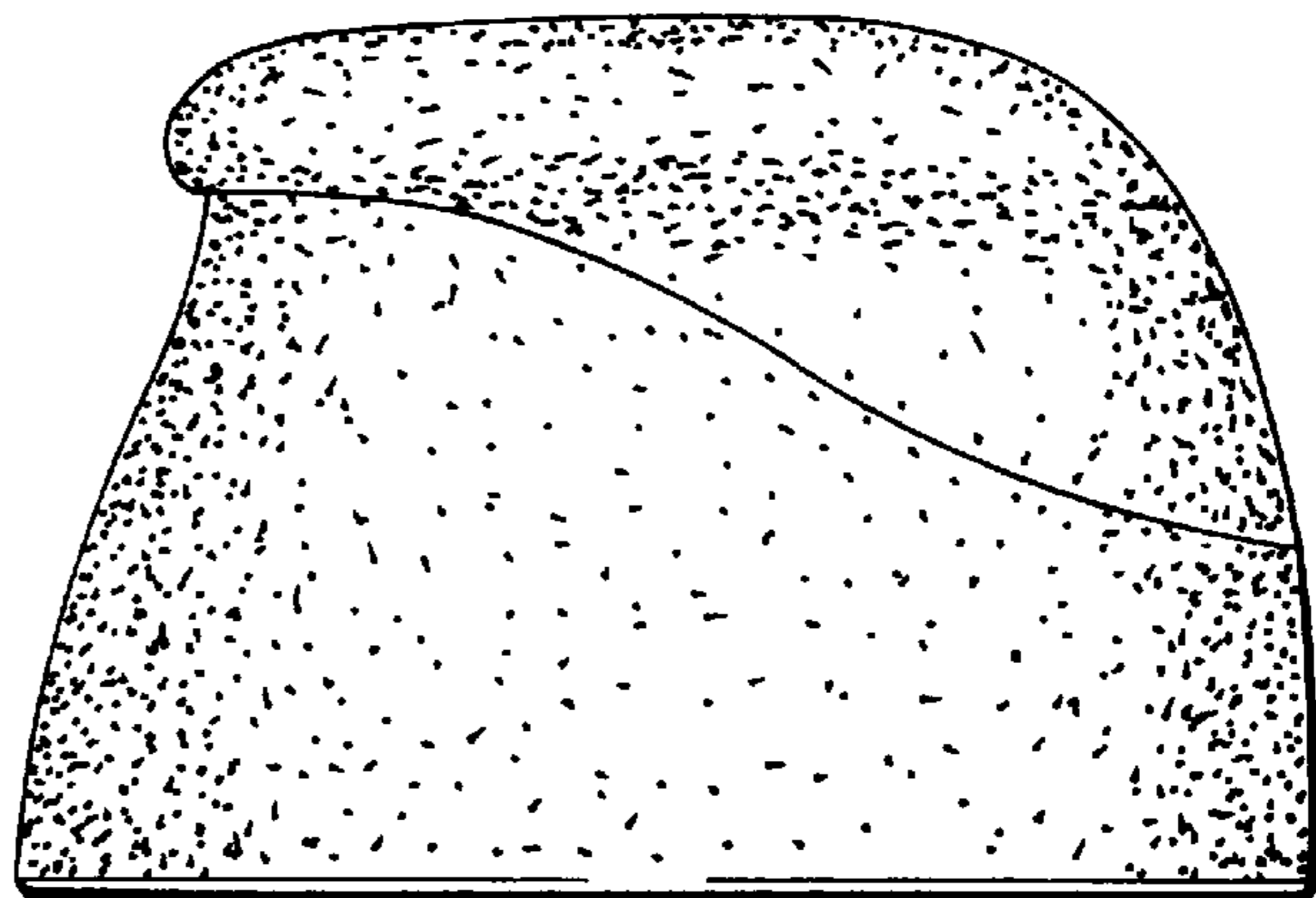


*Fig. 3*

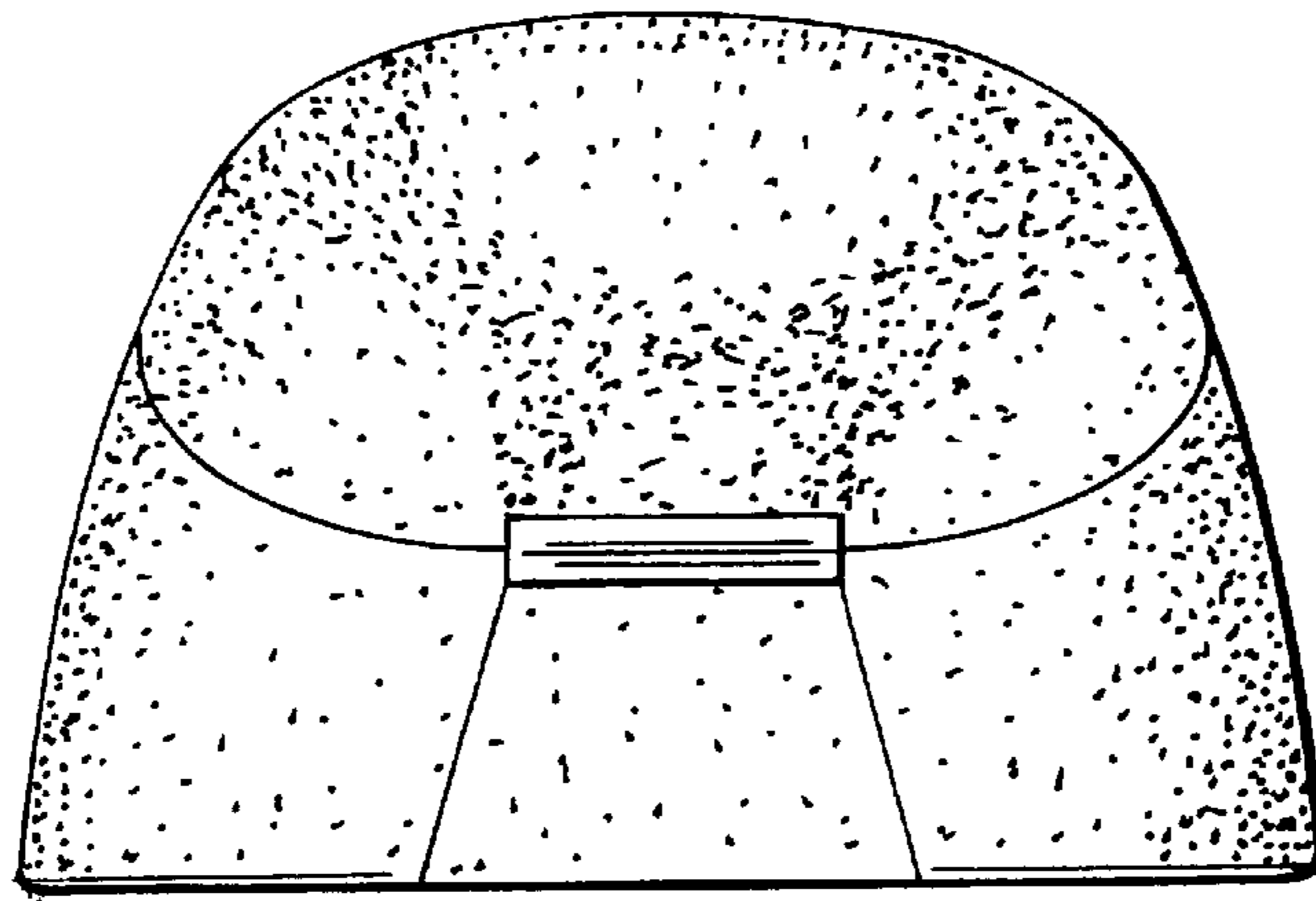


*Fig. 4*

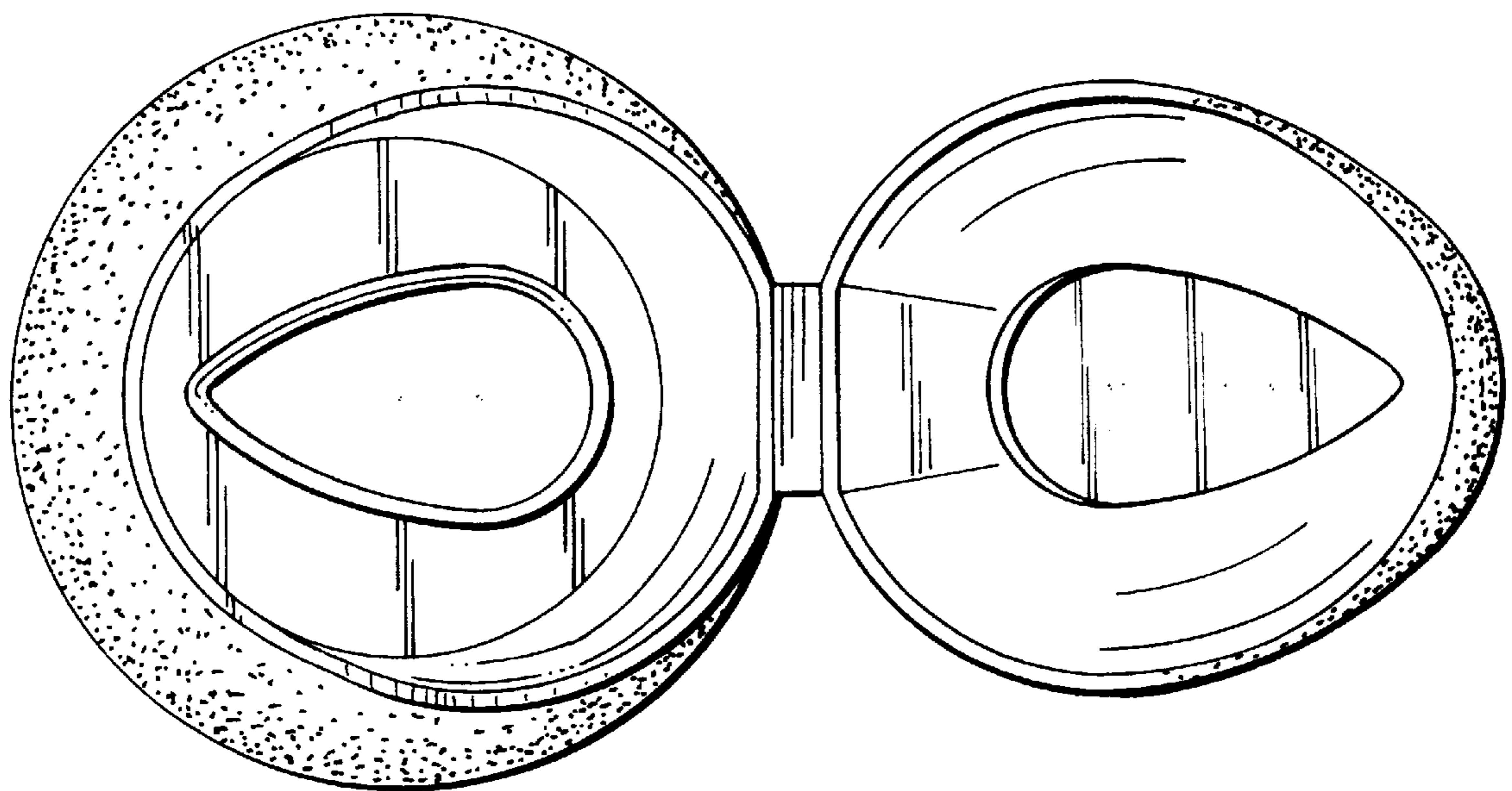
*Fig. 5*







*Fig. 6*



*Fig. 7*