



US00D436031S

(12) **United States Design Patent**
Castaldo

(10) **Patent No.:** **US D436,031 S**

(45) **Date of Patent:** **** Jan. 9, 2001**

(54) **THEATRE TRASH RECEPTACLE**

(76) Inventor: **Jeffrey Castaldo**, 85 Colonial Ave.,
North Andover, MA (US) 01845

(**) Term: **14 Years**

(21) Appl. No.: **29/112,080**

(22) Filed: **Oct. 8, 1999**

(51) **LOC (7) Cl.** **09-05**

(52) **U.S. Cl.** **D9/305**

(58) **Field of Search** D9/305, 306; D32/37;
383/71, 72, 75, 76, 84, 119, 127, 907

(56) **References Cited**

U.S. PATENT DOCUMENTS

D. 322,498	12/1991	McClees et al. .	
D. 372,668	* 8/1996	Greene	D9/305
2,055,086	9/1936	Poppe .	
4,154,383	5/1979	Honatzis .	
4,235,350	11/1980	Valentino .	
4,602,737	* 7/1986	Lorenz	383/119 X
5,226,576	7/1993	Ellsworth .	
5,356,061	10/1994	Yu .	
5,534,276	* 7/1996	Ennis	383/119 X
5,897,208	* 4/1999	Tokuda	383/907 X

* cited by examiner

Primary Examiner—Cathron B. Matta

1 Claim, 4 Drawing Sheets

(57) **CLAIM**

The ornamental design for a theatre trash receptacle, as shown and described.

DESCRIPTION

The nature and intended use of the article being an ornamental design for a trash receptacle that is attachable to the rear of a movie theatre seat.

FIG. 1 is a front elevational view of the theatre trash receptacle of the present invention;

FIG. 2 is a rear elevational view of the theatre trash receptacle of FIG. 1;

FIG. 3 is a left side elevational view of the theatre trash receptacle of FIG. 1;

FIG. 4 is a right side elevational view of the theatre trash receptacle of FIG. 1;

FIG. 5 is a top plan view of the theatre trash receptacle of FIG. 1;

FIG. 6 is a bottom plan view of the theatre trash receptacle of FIG. 1; and,

FIG. 7 is a top, front, left side perspective view of the theatre trash receptacle of FIG. 1, with the receptacle shown attached to the attachment means.

The broken lines showing of a chair in FIG. 7 are for illustrative purposes only and form no part of the claimed design.

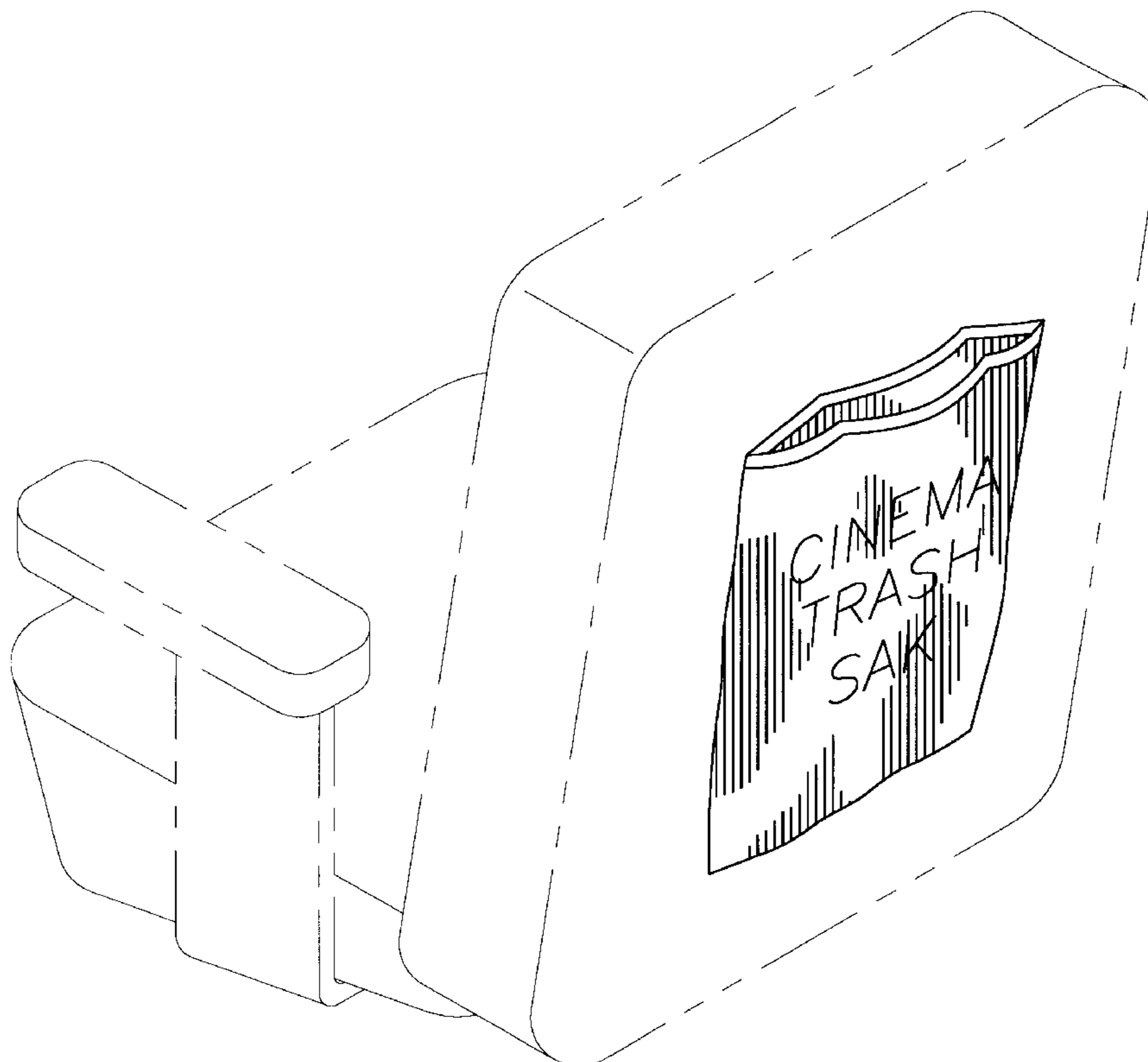




FIG. 1

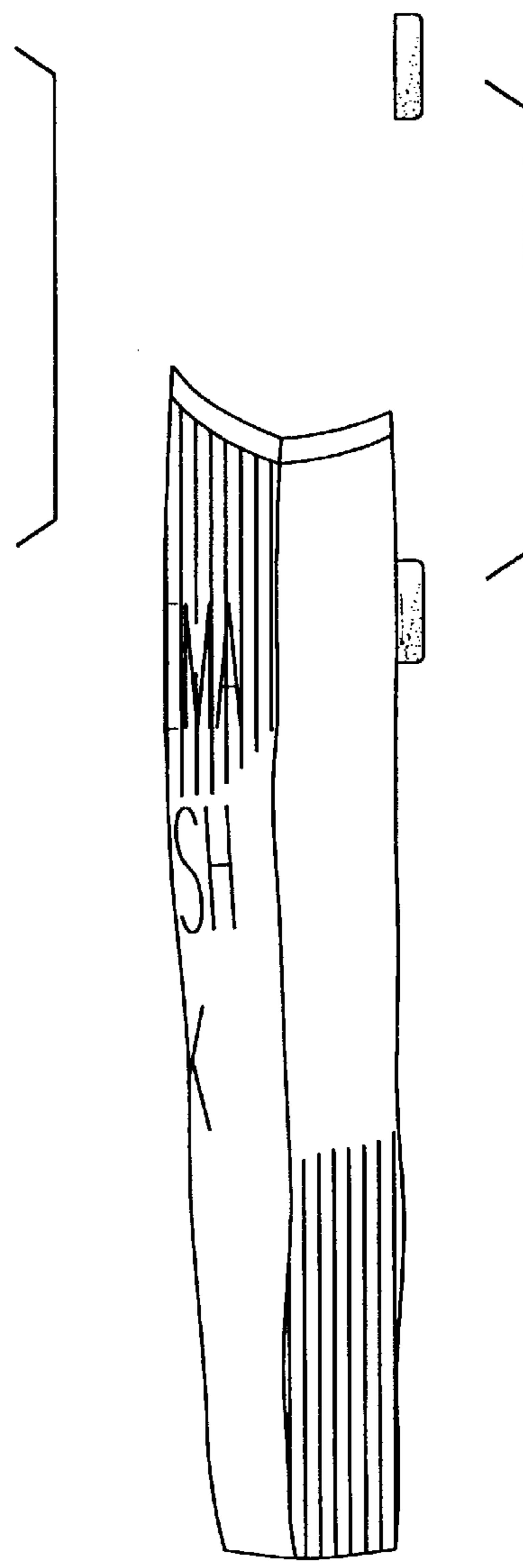


FIG. 4

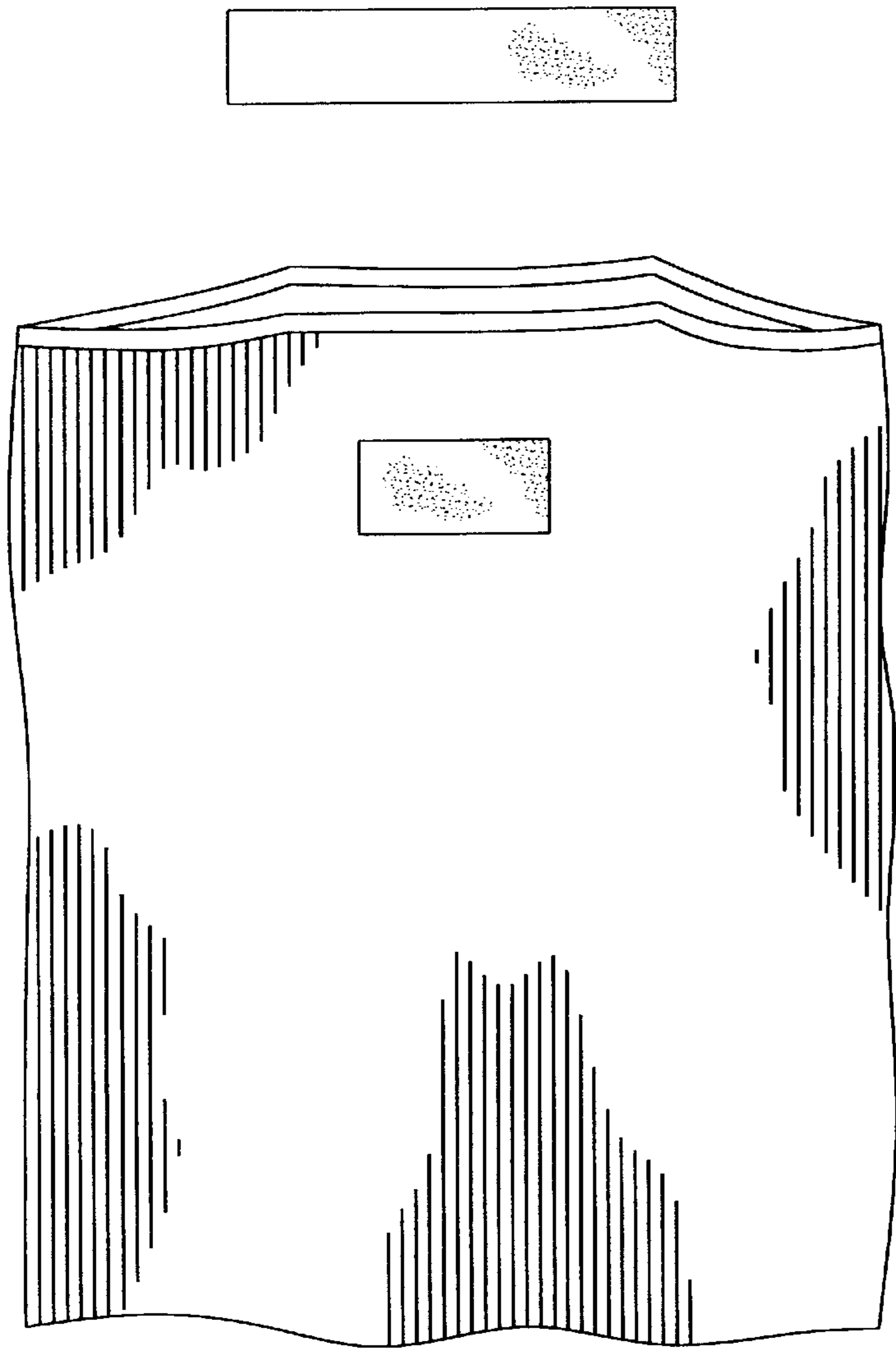


FIG. 2

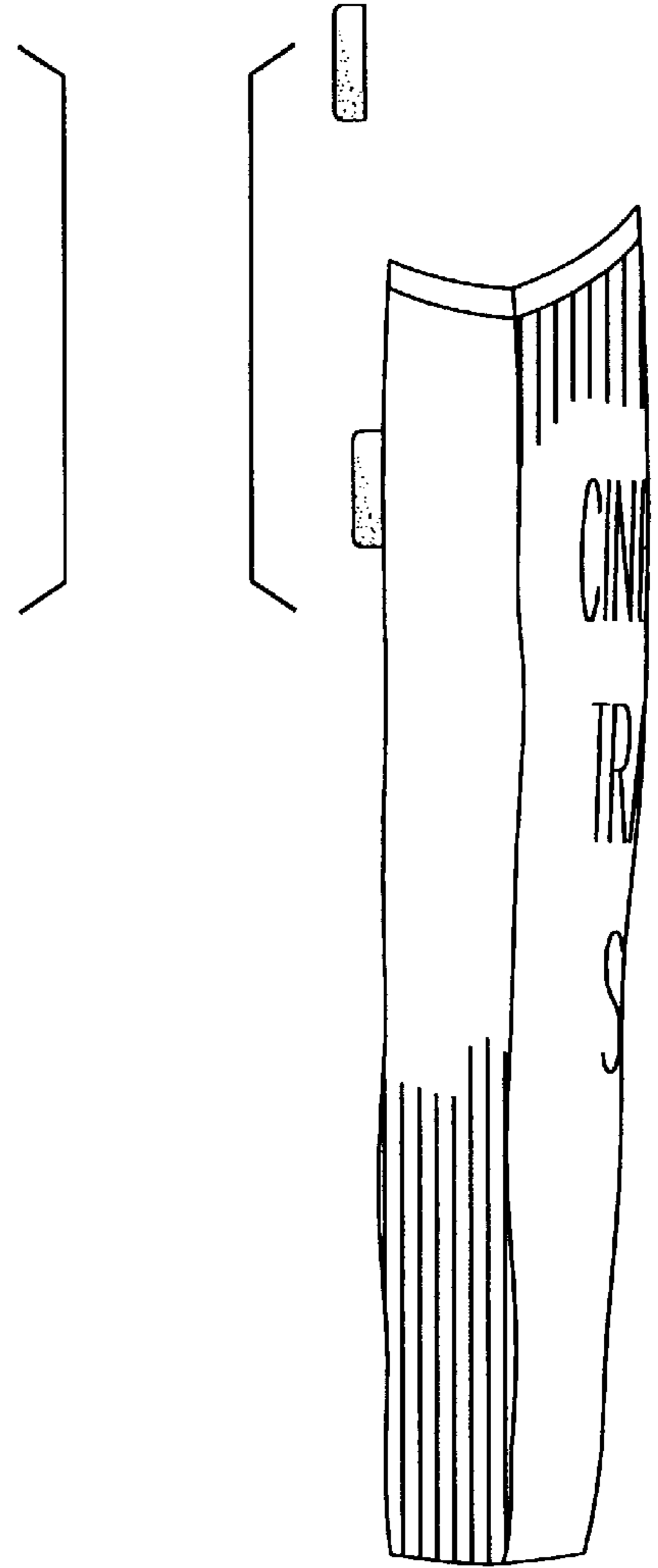


FIG. 3

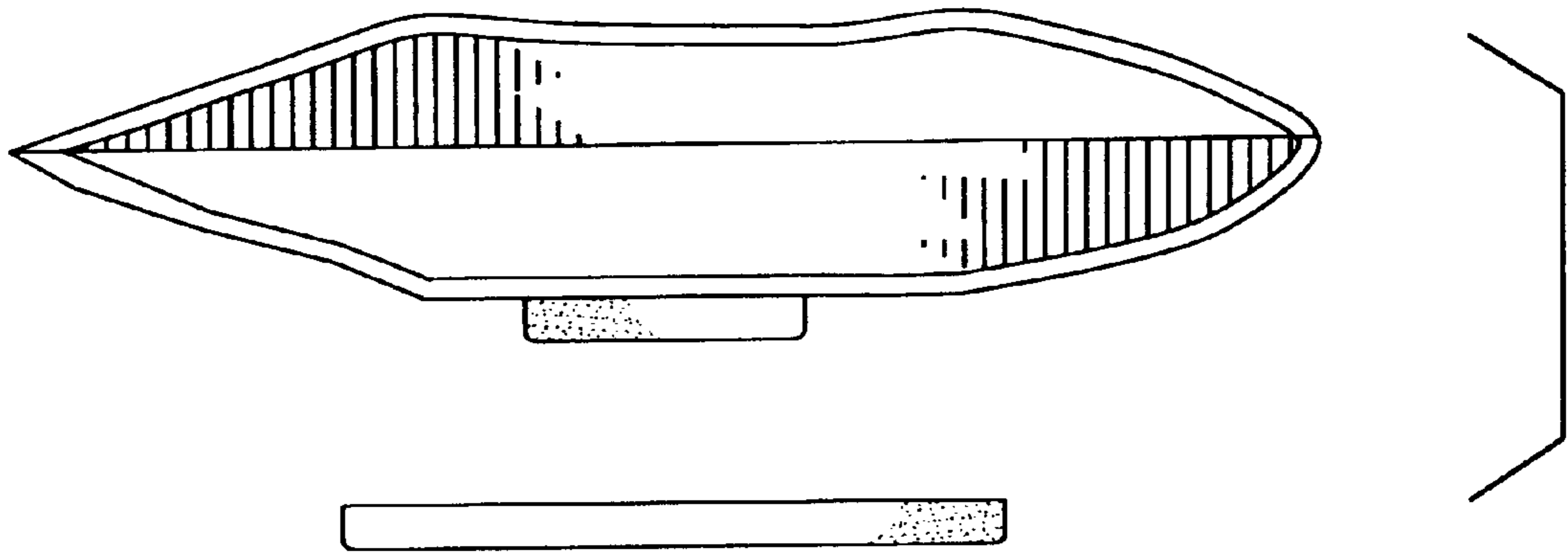


FIG. 5

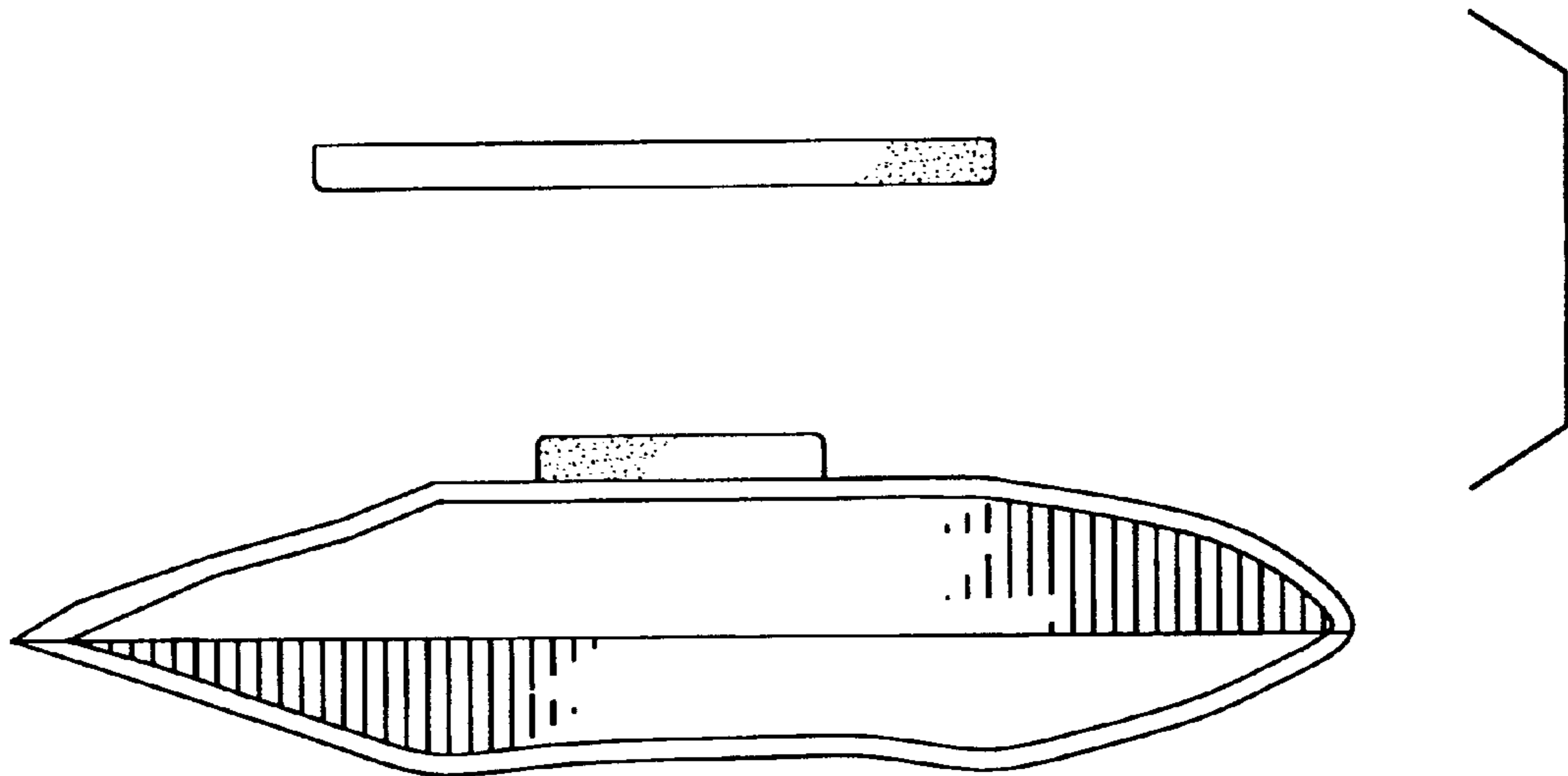


FIG. 6

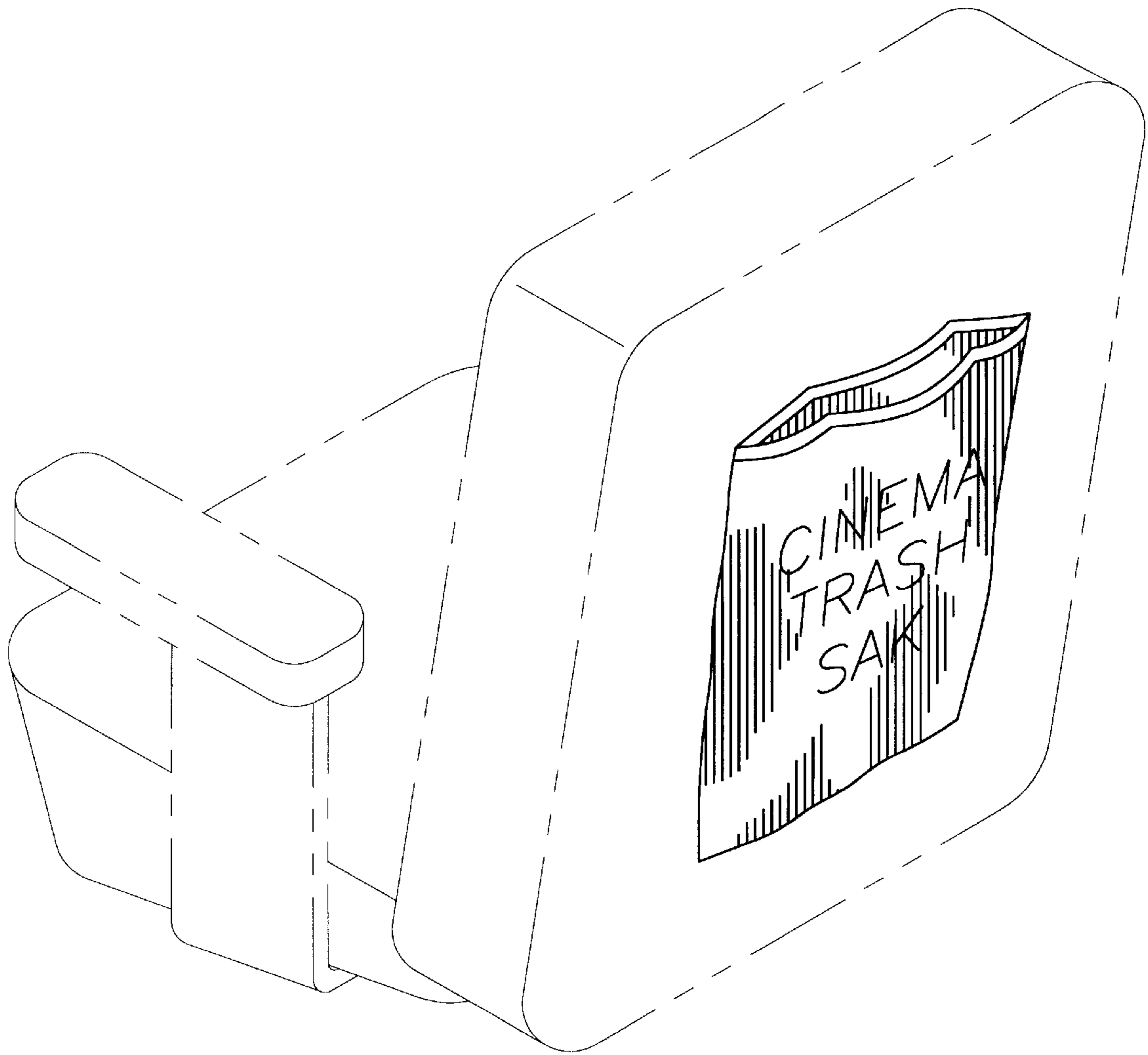


FIG. 7