



US00D436028S

(12) **United States Design Patent**
Wagner et al.

(10) **Patent No.:** **US D436,028 S**

(45) **Date of Patent:** **** Jan. 9, 2001**

(54) **U-BOLT CLAMP**

(75) Inventors: **Wayne M. Wagner**, Apple Valley;
John T. Herman, Dellwood; **Michael J. Protas**, Golden Valley, all of MN (US); **James P. Shields**, Fairbank, IA (US)

(73) Assignee: **Donaldson Company, Inc.**, Minneapolis, MN (US)

(**) Term: **14 Years**

4,388,749	*	6/1983	Sassak	285/420
4,415,188		11/1983	Ginter, Jr. .	
4,479,288	*	10/1984	Jones	24/276
4,485,530		12/1984	Begley et al. .	
4,488,334	*	12/1984	Goforth	285/420
4,506,418		3/1985	Viola et al. .	
4,558,891		12/1985	Wagner et al. .	
4,629,226		12/1986	Cassel et al. .	
4,640,536		2/1987	Printiss, Sr. et al. .	
4,930,732		6/1990	Hardtke .	
5,014,940		5/1991	Sherman .	
5,215,281		6/1993	Sherman .	

FOREIGN PATENT DOCUMENTS

(21) Appl. No.: **29/098,993**

(22) Filed: **Jan. 11, 1999**

(51) **LOC (7) Cl.** **08-08**

(52) **U.S. Cl.** **D8/396**

(58) **Field of Search** D8/394-396; D23/265;
285/322, 420; 24/20 R, 23 R, 22, 20 CS,
276, 279, 280, 277

656476	1/1963	(CA) .
677 817 A5	6/1991	(CH) .
1 113 615	9/1961	(DE) .
0 449 738 A1	10/1991	(EP) .
1.558.373	2/1969	(FR) .

* cited by examiner

Primary Examiner—B. J. Bullock

(74) *Attorney, Agent, or Firm*—Merchant & Gould P.C.

(56) **References Cited**

U.S. PATENT DOCUMENTS

D. 273,938	*	5/1984	Piper	D8/396
1,162,595		11/1915	Forgey .	
1,783,509		12/1930	Lahey .	
2,433,289		12/1947	Morris .	
2,719,345		10/1955	Riker .	
3,022,561		2/1962	Jagiel .	
3,409,259		11/1968	Cross .	
3,735,950		5/1973	Paintin .	
3,879,815	*	4/1975	Dowling et al.	24/277
3,955,250		5/1976	Heckethorn .	
4,063,700		12/1977	Brewer .	
4,113,289		9/1978	Wagner et al. .	
4,122,586	*	10/1978	Nothdurlt	24/277
4,141,577		2/1979	Beebe .	
4,143,844		3/1979	Van Meter .	
4,183,122		1/1980	Wagner .	
4,209,155		6/1980	Florian .	
4,270,689		6/1981	Canfield .	
4,365,399		12/1982	Mahrus .	

(57) **CLAIM**

The ornamental design for a U-bolt clamp, as shown and described.

DESCRIPTION

FIG. 1 is a perspective view of a U-bolt clamp, according to the present invention;
FIG. 2 is a front elevational view of the U-bolt clamp of FIG. 1; the rear elevational view being substantially identical thereto;
FIG. 3 is a right side view of the U-bolt clamp of FIG. 2;
FIG. 4 is a left side view of the U-bolt clamp of FIG. 2;
FIG. 5 is a top plan view of the U-bolt clamp of FIG. 2; and
FIG. 6 is a bottom plan view of the U-bolt clamp of FIG. 2.
The surface(s) or portion(s) of the article not shown in the drawing or described in the specification form(s) no part of the claimed design.

1 Claim, 2 Drawing Sheets

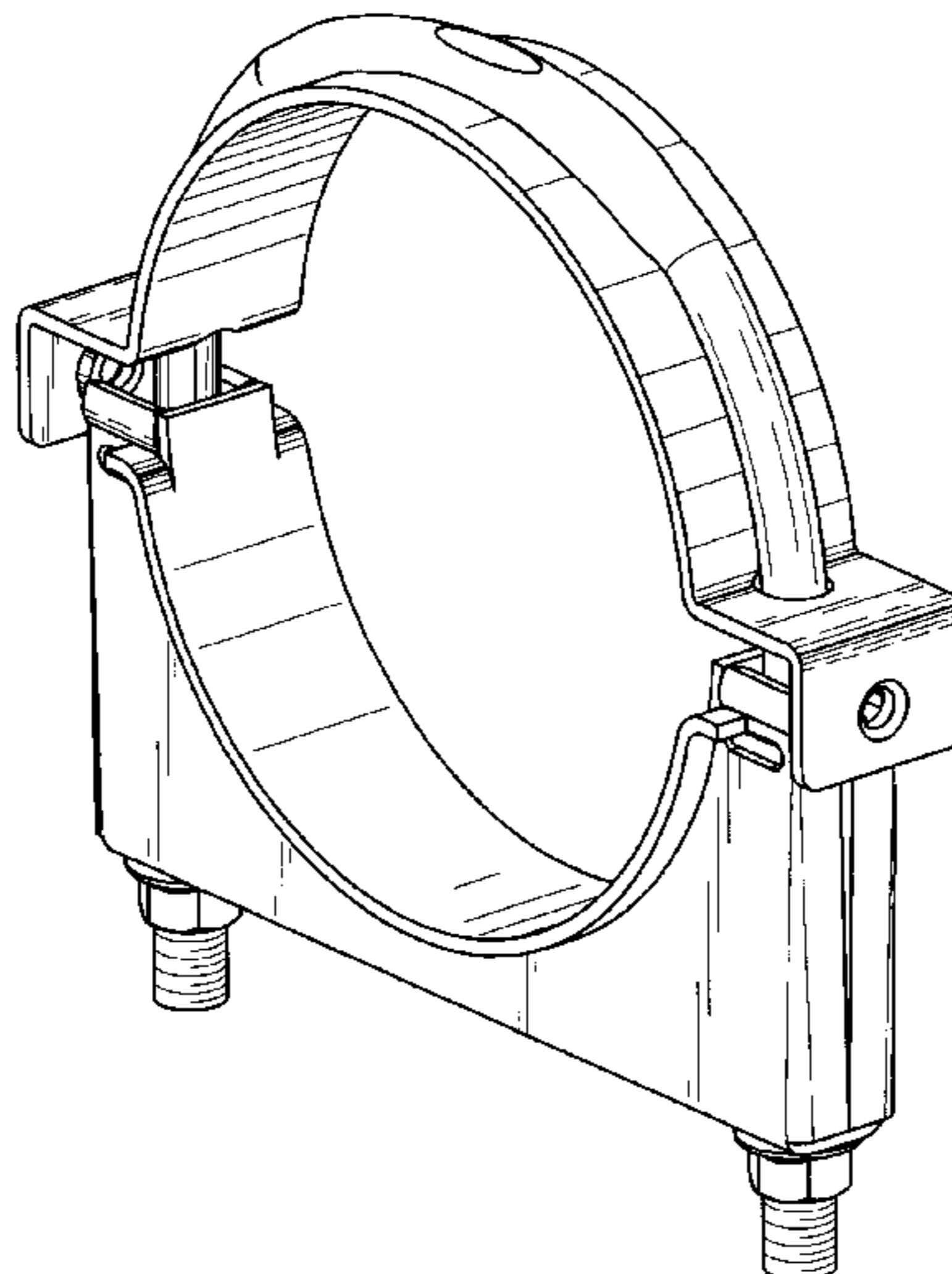


FIG. 1

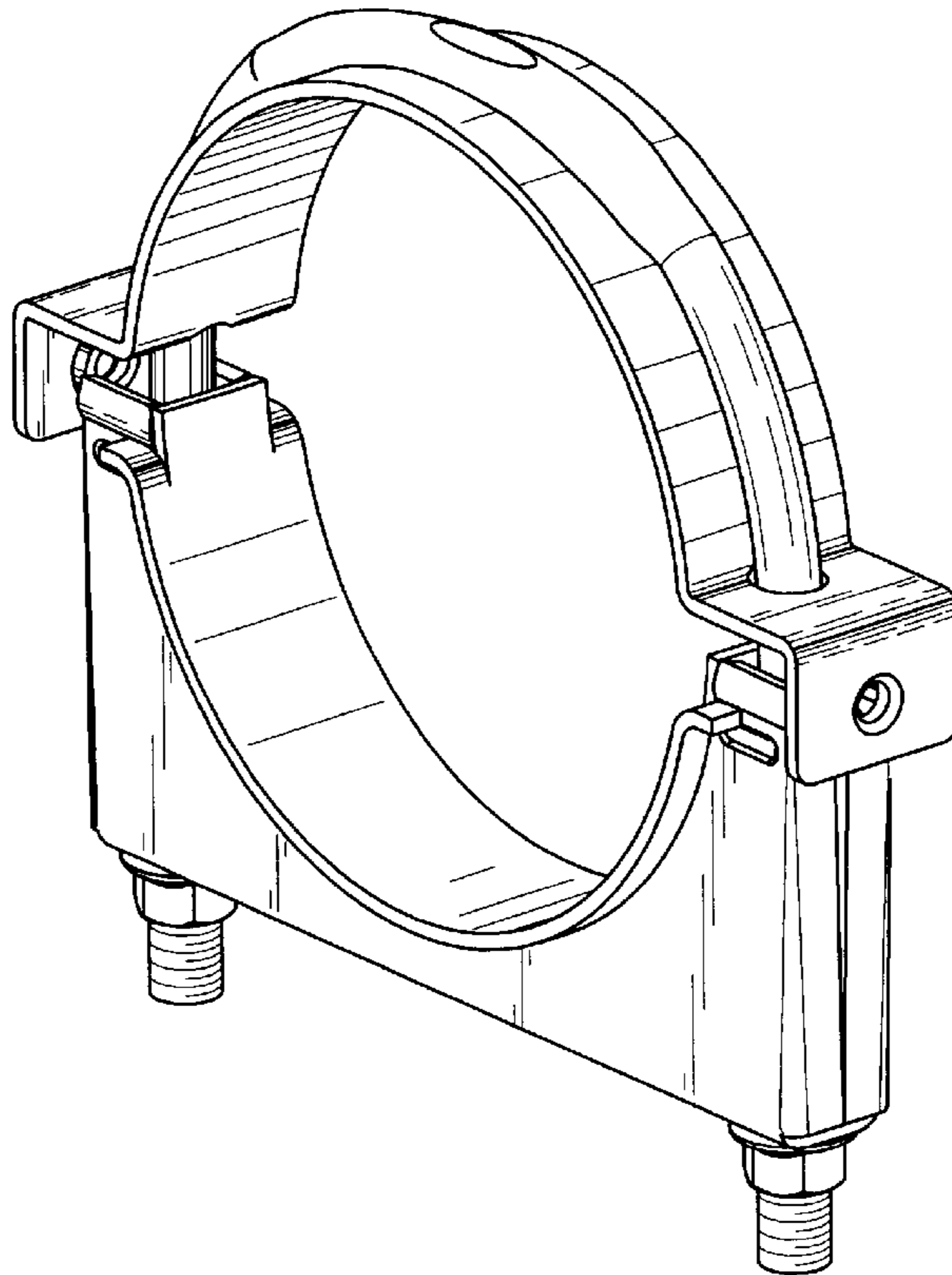


FIG. 2

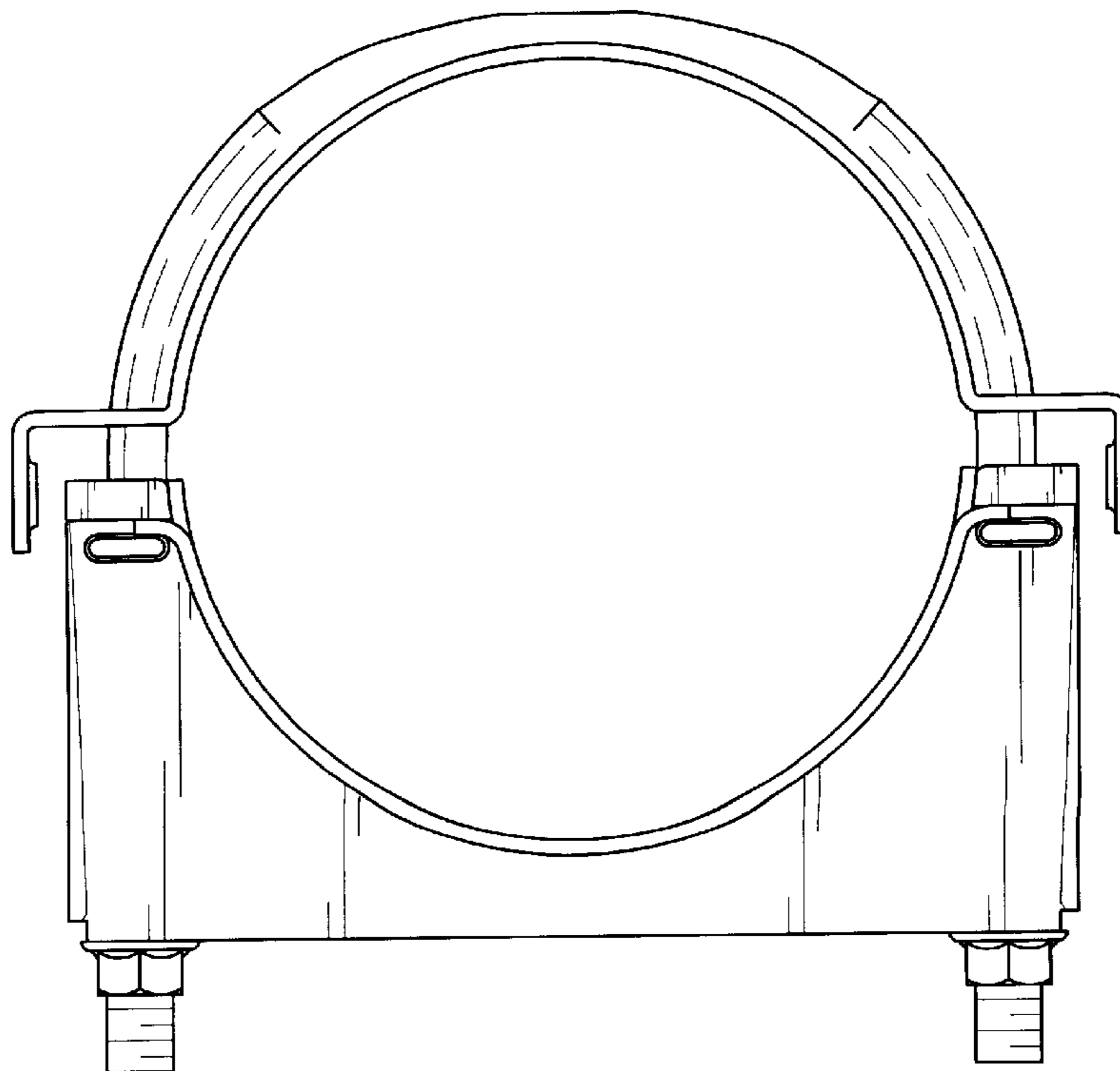


FIG. 3

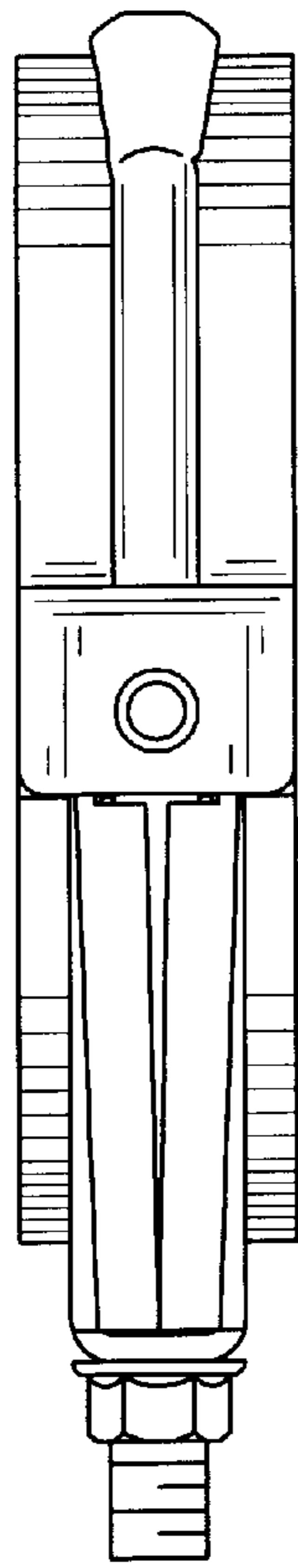


FIG. 4

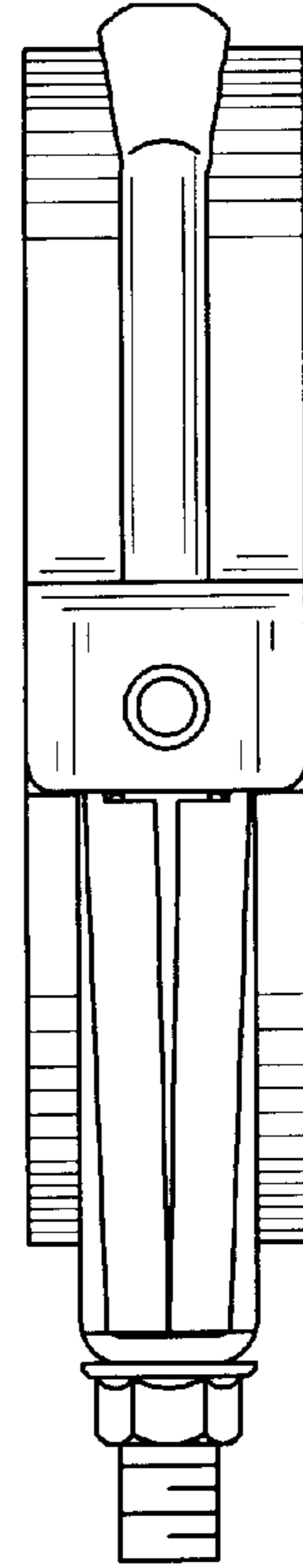


FIG. 5

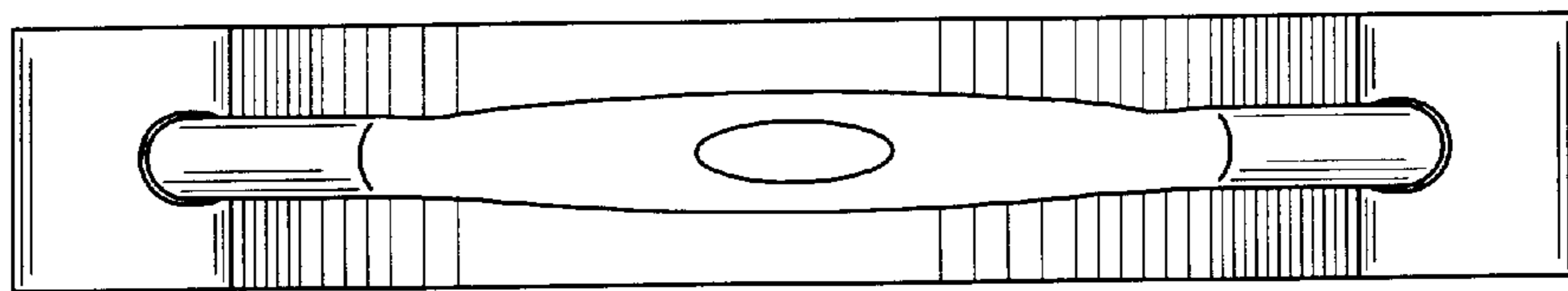


FIG. 6

