



US00D436027S

(12) **United States Design Patent**
Johnston et al.

(10) **Patent No.:** **US D436,027 S**

(45) **Date of Patent:** **** Jan. 9, 2001**

(54) **CABLE RETAINER CLIP**

(75) Inventors: **Dare P. Johnston**, Raleigh, NC (US);
Michael Mattei, Smithtown; **Robert P. Auteri**, Manorsville, both of NY (US);
Erwin F. Hani, Charlotte, NC (US);
Michael T. Herda, Hoboken, NJ (US);
Steven J. Muske, Batavia, OH (US);
David W. Suttie, Onalaska, WI (US)

(73) Assignee: **Tyco Electronics Corporation**,
Fuquay-Varina, NC (US)

(**) Term: **14 Years**

(21) Appl. No.: **29/124,370**

(22) Filed: **Jun. 5, 2000**

(51) **LOC (7) Cl.** **08-05**

(52) **U.S. Cl.** **D8/395**

(58) **Field of Search** D8/395-396, 356;
D13/154, 199; 174/93, 65 R, 65 G, 158 R,
161 R, 164; 248/73, 74.2, 68.1; 385/136,
135

(56) **References Cited**

U.S. PATENT DOCUMENTS

5,530,787 * 6/1996 Arnett 385/136

5,559,922 * 9/1996 Arnett 385/135

5,710,855 * 1/1998 Konwitz 385/135

5,724,469 * 3/1998 Orlando 385/135

5,758,004 * 5/1998 Harcon et al. 385/136

* cited by examiner

Primary Examiner—Holly Baynham
(74) *Attorney, Agent, or Firm*—Adams, Schwartz & Evans,
P.A.

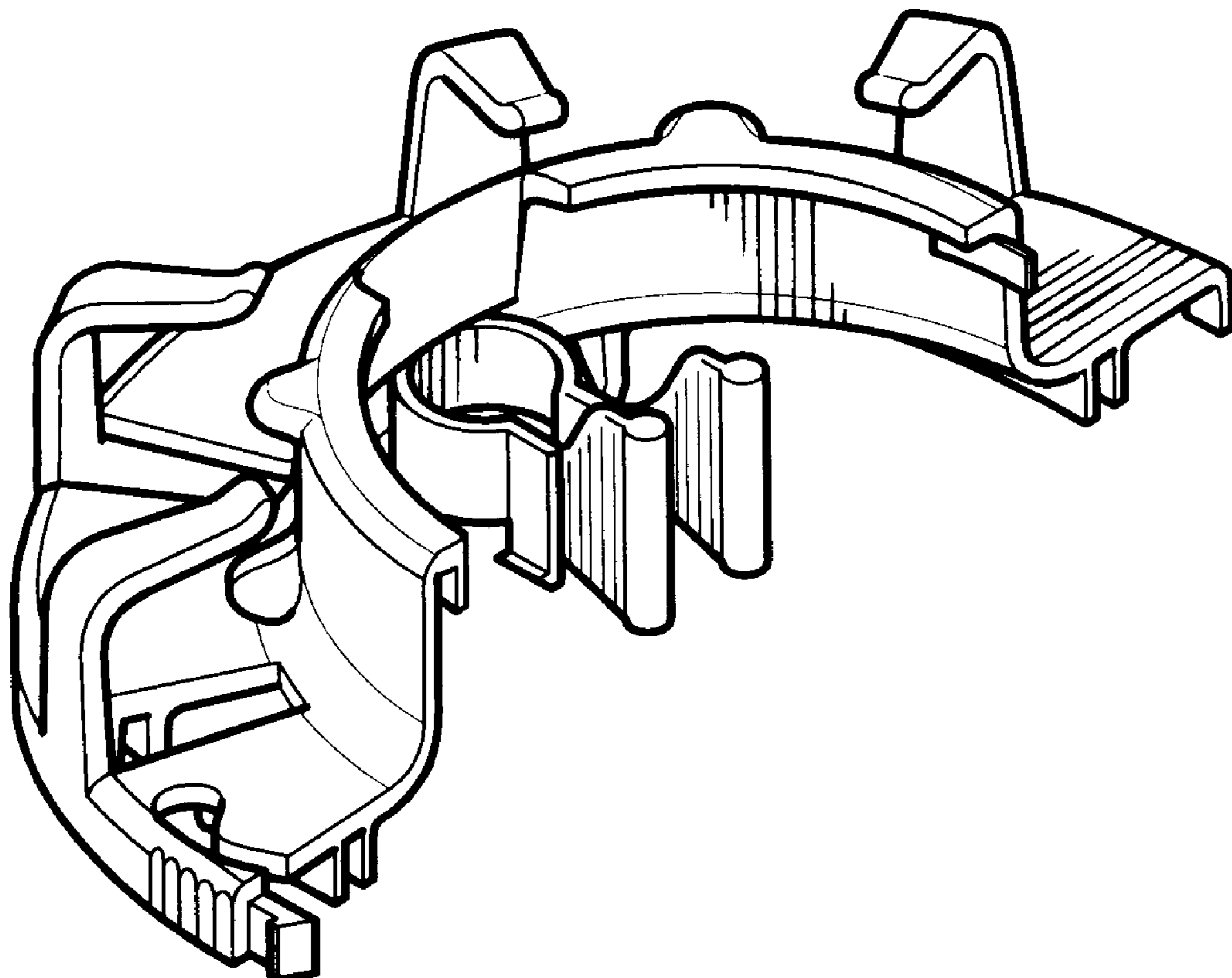
(57) **CLAIM**

We claim the ornamental design for a cable retainer clip, as shown.

DESCRIPTION

FIG. 1 is a perspective view of the cable retainer clip;
FIG. 2 is a side view thereof;
FIG. 3 is a bottom plan view thereof;
FIG. 4 is a top plan view thereof;
FIG. 5 is an inside view thereof; and,
FIG. 6 is an outside view thereof.

1 Claim, 3 Drawing Sheets



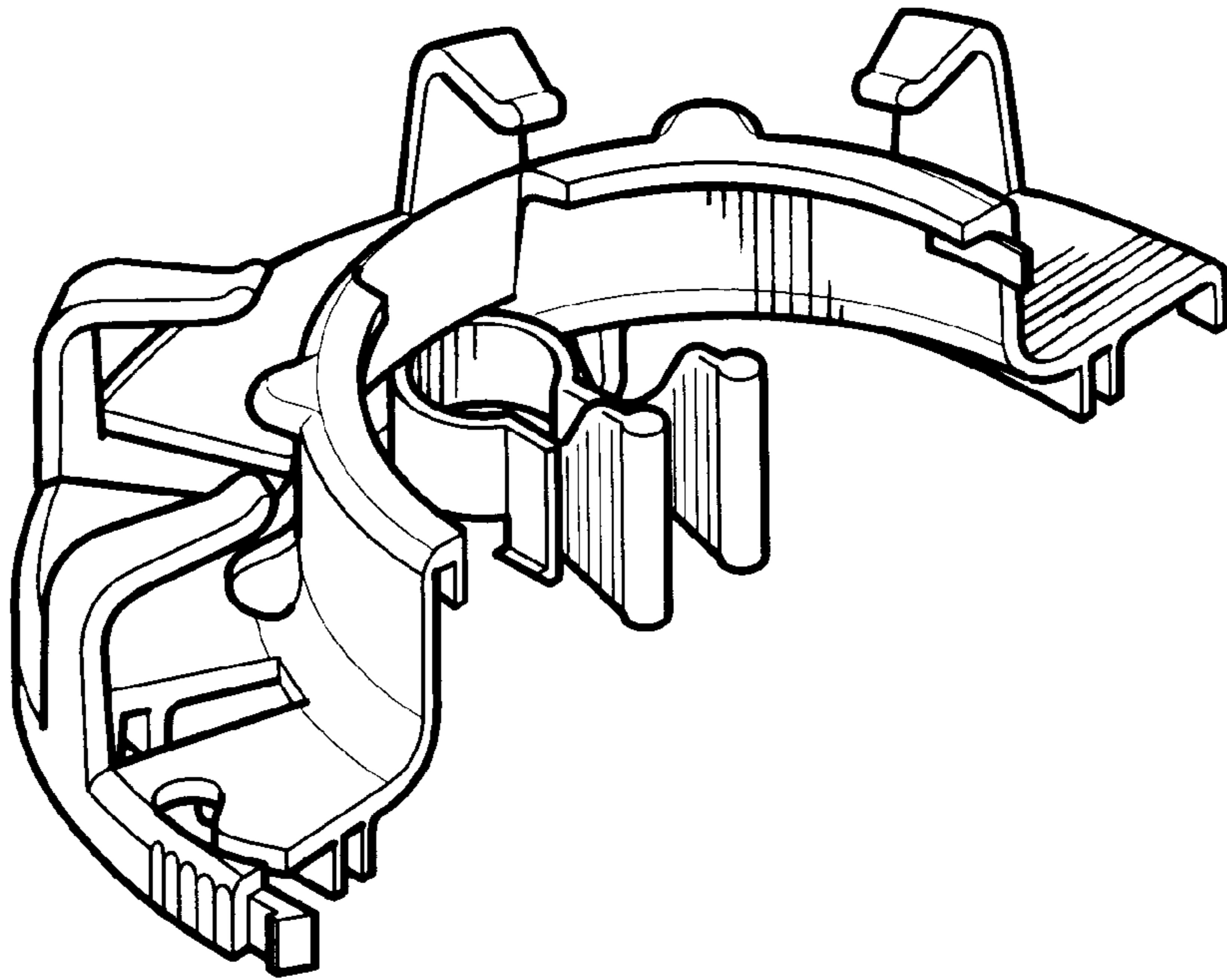


Fig. 1

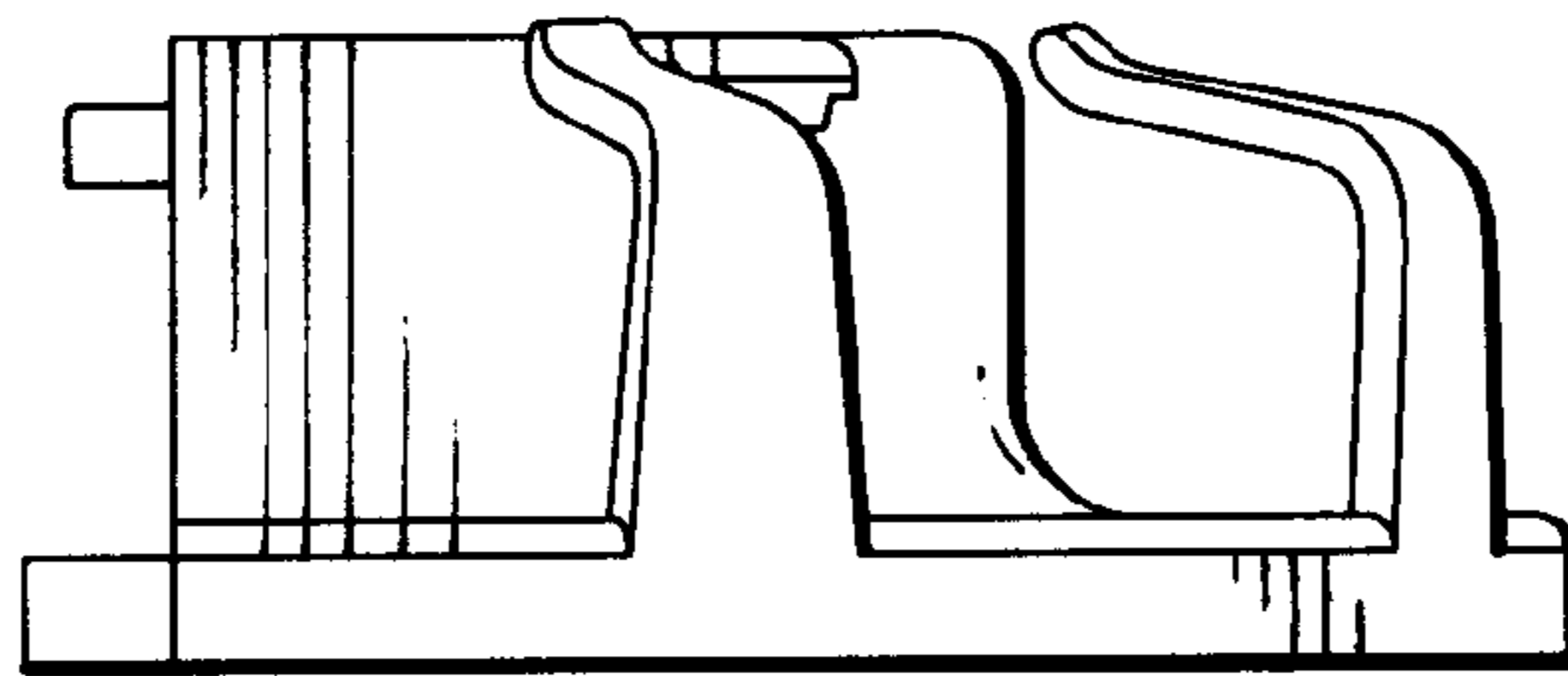


Fig. 2

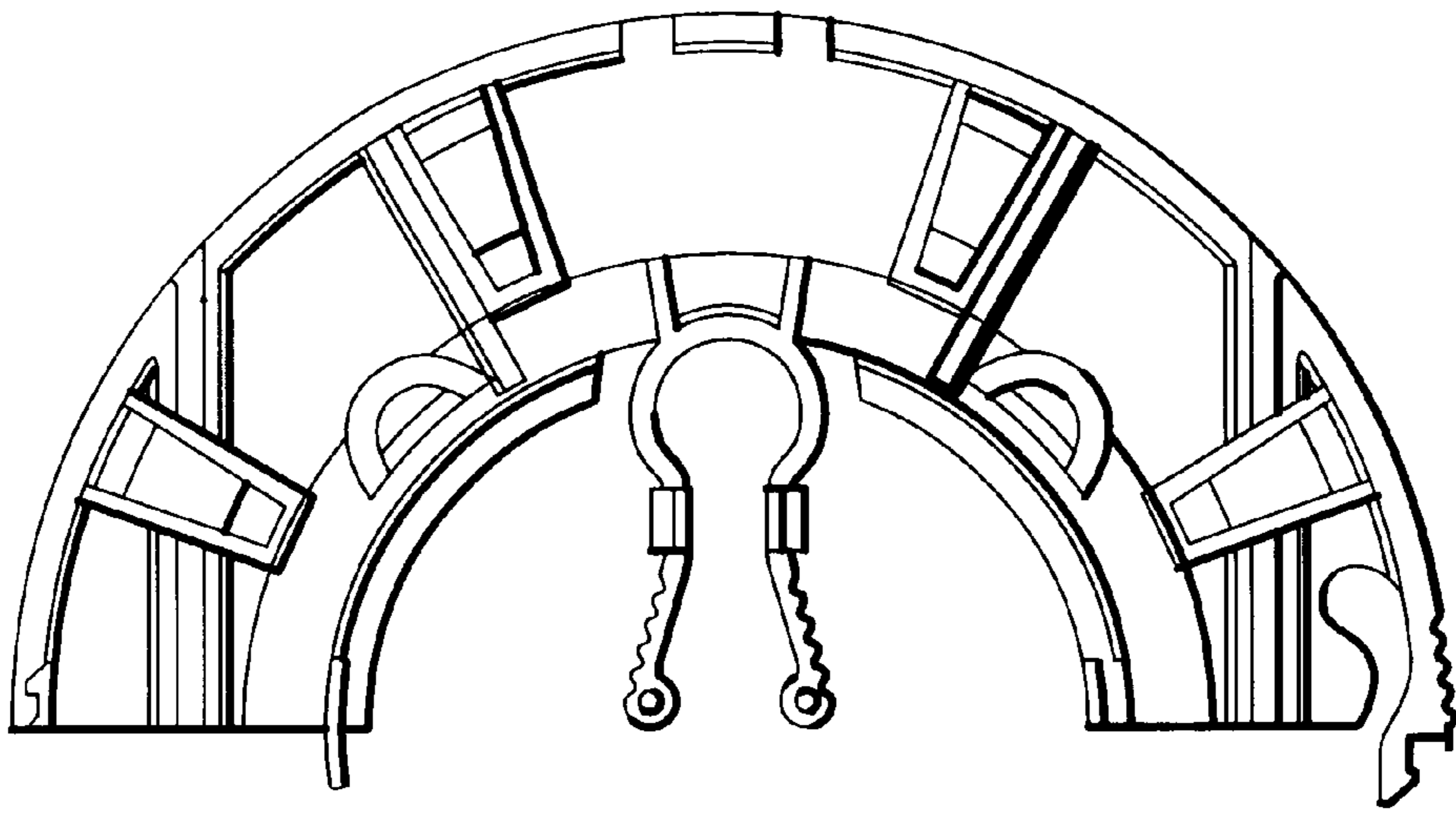


Fig. 3

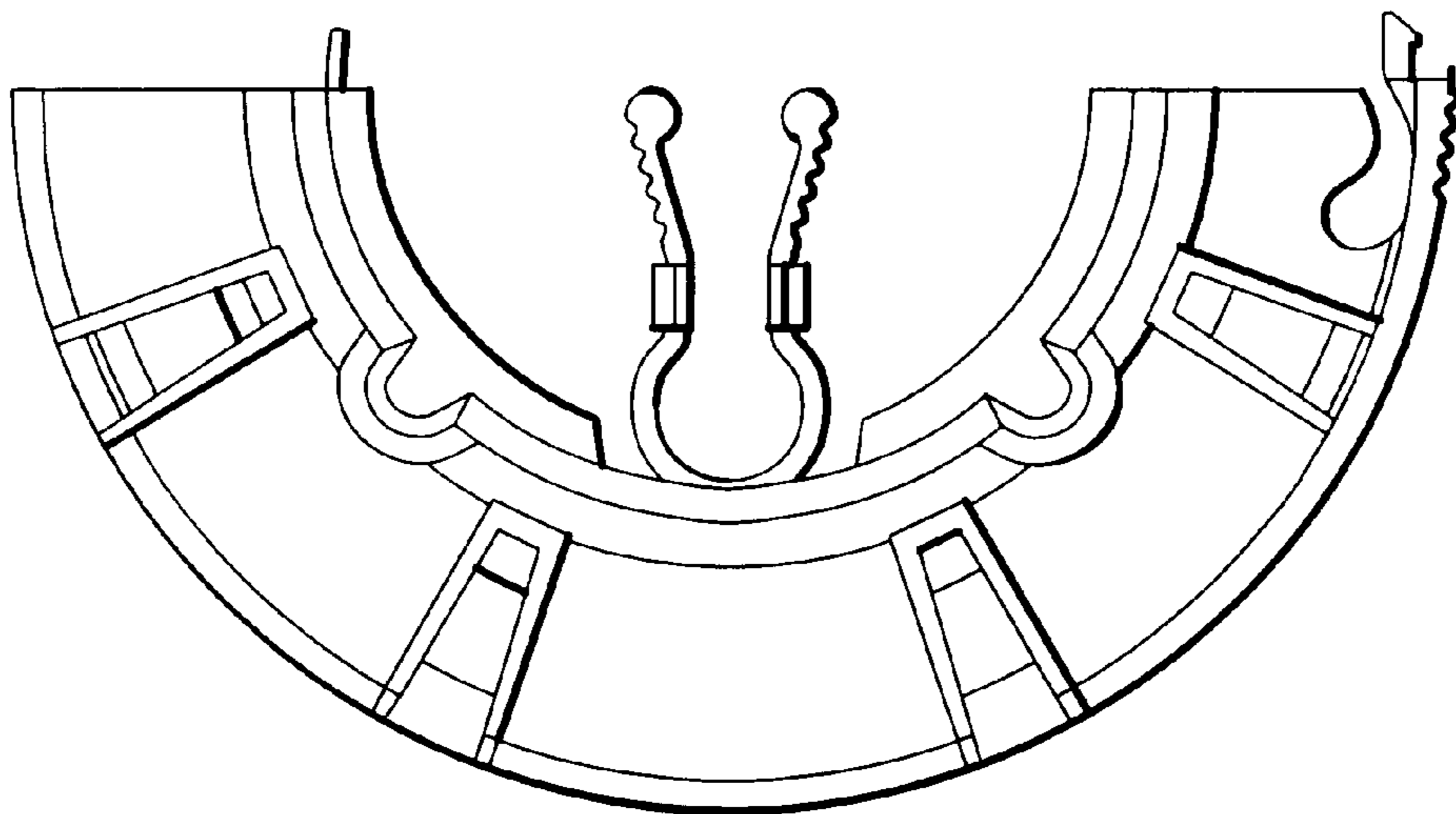


Fig. 4

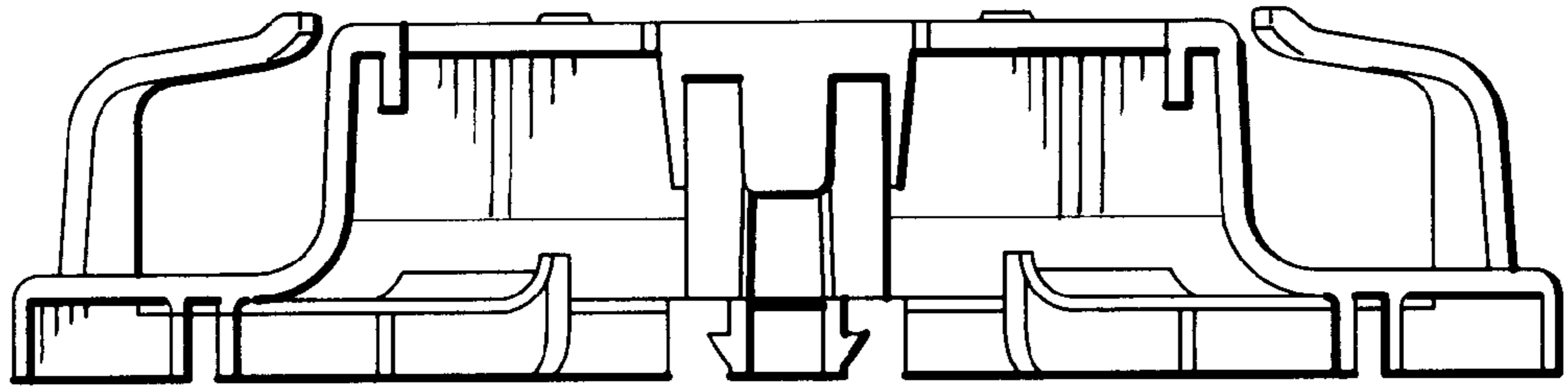


Fig. 5

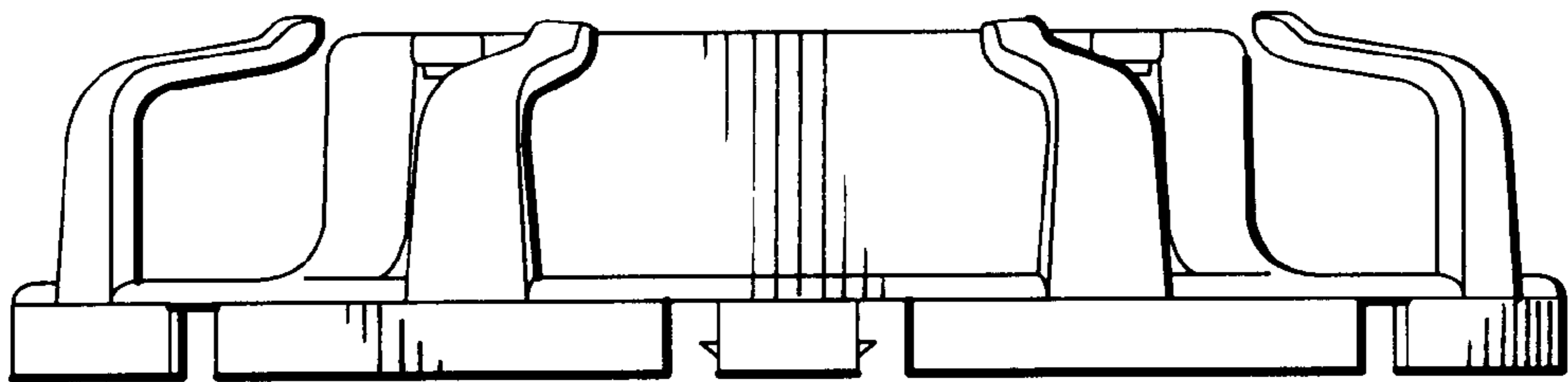


Fig. 6