



US00D436026S

(12) **United States Design Patent**
Luther, Sr.

(10) **Patent No.:** **US D436,026 S**

(45) **Date of Patent:** **** Jan. 9, 2001**

(54) **PLYWOOD FASTENING BRACKET**

5,896,722 * 4/1999 Swenson 52/712

(76) Inventor: **Walter C. Luther, Sr.**, R.R. 23 Box
1526, Lake City, FL (US) 32025-8111

(**) Term: **14 Years**

(21) Appl. No.: **29/120,068**

(22) Filed: **Mar. 14, 2000**

(51) **LOC (7) Cl.** **08-08**

(52) **U.S. Cl.** **D8/395; D8/499**

(58) **Field of Search** D8/394-6, 499,
D8/370, 372; 248/302, 303; 52/712, 506.05,
509, 715; 24/500, 501, 336, 338, 530, 533,
546

(56) **References Cited**

U.S. PATENT DOCUMENTS

- 815,253 * 3/1906 Baker .
- 1,753,501 * 4/1930 Christensen .
- 2,898,741 * 8/1959 Milliken .
- 5,542,228 * 8/1996 Hagens 52/712
- 5,816,558 * 10/1998 Sommer et al. 248/303

OTHER PUBLICATIONS

The Colorado Fuel and Iron Corp: Springs and Formed
Wires Cat.; p. 6, Spring (center), ©1947.*

* cited by examiner

Primary Examiner—B. J. Bullock

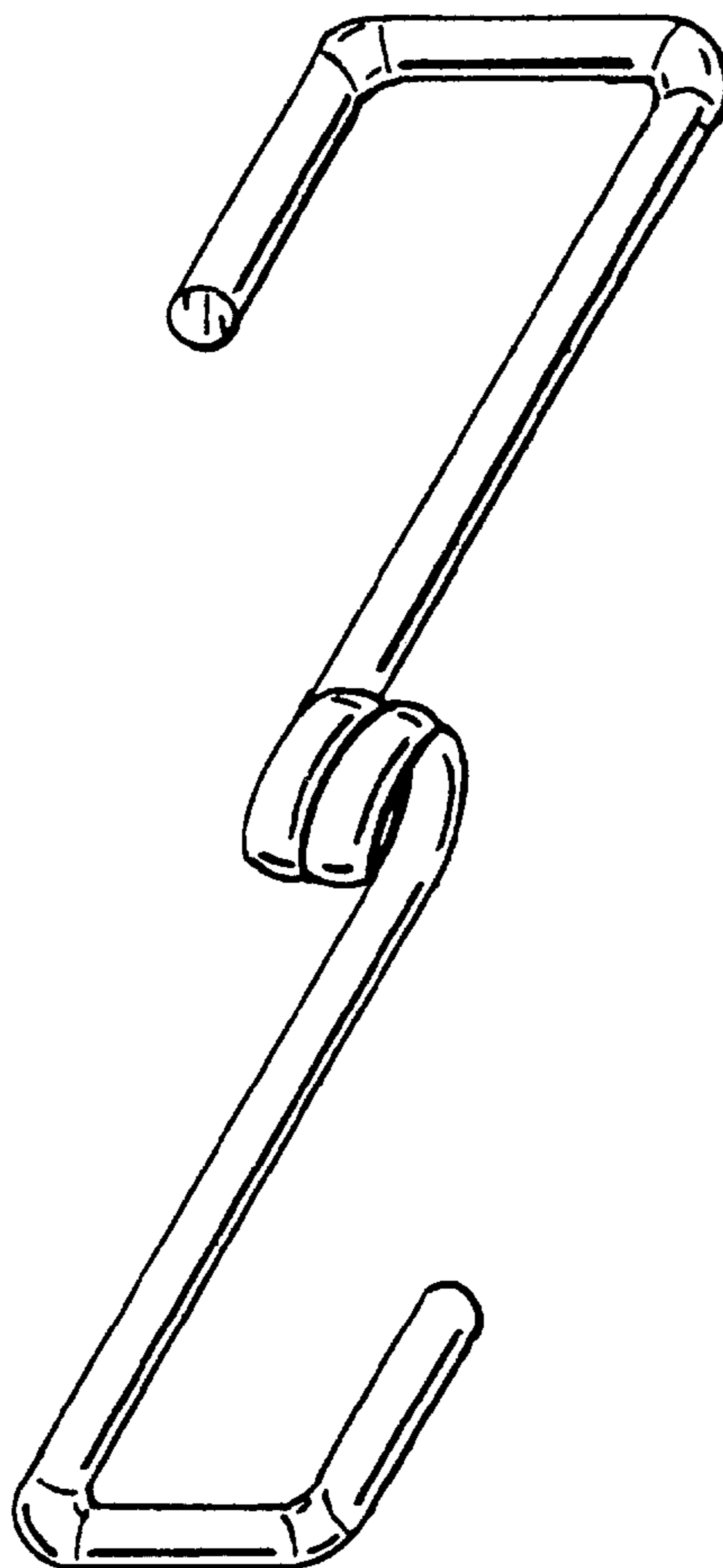
(57) **CLAIM**

I claim the ornamental design for a plywood fastening
bracket, as shown.

DESCRIPTION

FIG. 1 is a top perspective view of the plywood fastening
bracket showing my new design;
FIG. 2 is a right side elevational view thereof;
FIG. 3 is a top plan view thereof;
FIG. 4 is a bottom plan view thereof;
FIG. 5 is a right end elevational view thereof; and,
FIG. 6 is a left end elevational view thereof.

1 Claim, 1 Drawing Sheet



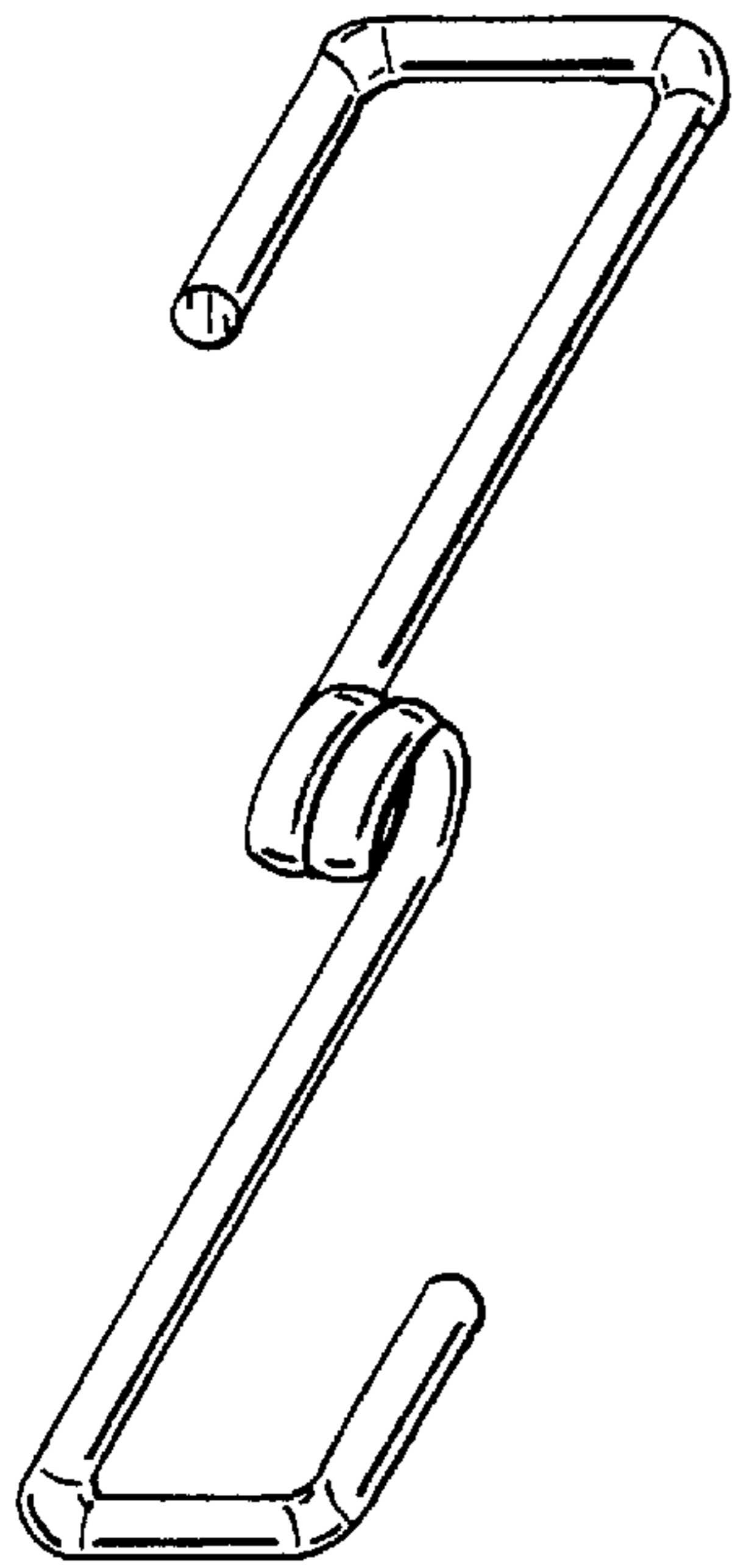


FIG. 1



FIG. 2

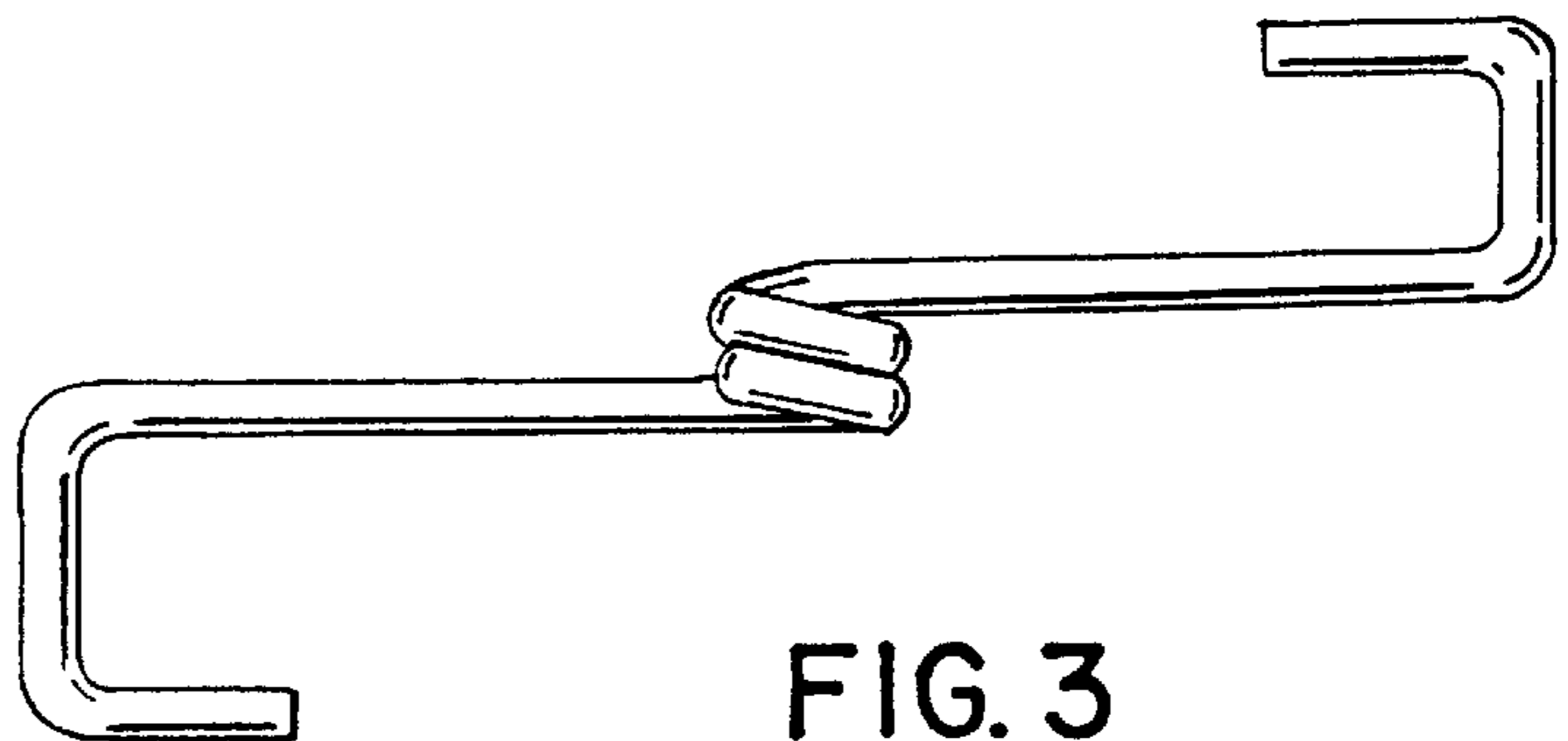


FIG. 3

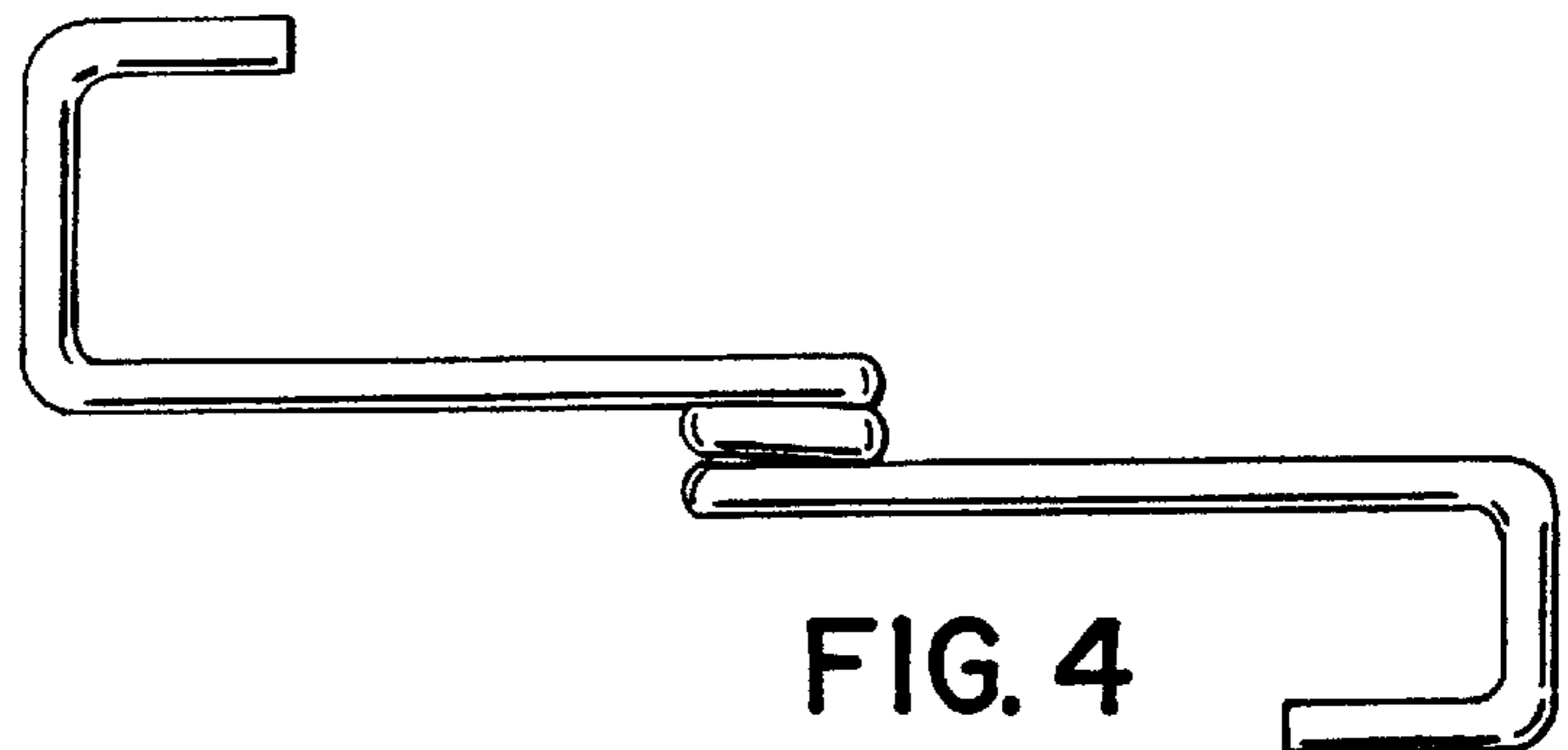


FIG. 4

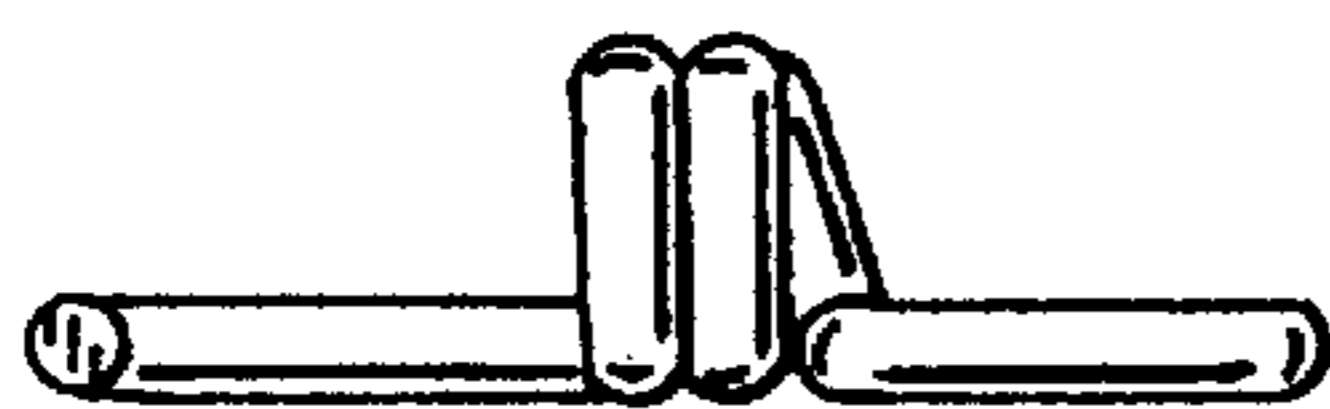


FIG. 5



FIG. 6