



US00D436025S

(12) **United States Design Patent**  
**Ohm et al.**

(10) **Patent No.: US D436,025 S**

(45) **Date of Patent: \*\* Jan. 9, 2001**

(54) **CLOTHES BAR**

(75) Inventors: **Patrick Ohm**, Norwalk, IA (US);  
**Michael Thuma**, Des Plaines, IL (US);  
**William Webb**, Chicago, IL (US);  
**James deBeers**, Chicago, IL (US);  
**Timothy Hibbard**, Chicago, IL (US)

(73) Assignee: **Cobbs Manufacturing Company**, Des Moines, IA (US)

(\*\*) Term: **14 Years**

(21) Appl. No.: **29/107,880**

(22) Filed: **Jul. 15, 1999**

(51) **LOC (7) Cl. .... 08-05**

(52) **U.S. Cl. .... D8/376**

(58) **Field of Search .... D8/376-377; 211/105.6**

(56) **References Cited**

**U.S. PATENT DOCUMENTS**

D. 230,702	*	3/1974	Jetter .....	D8/376
519,840	*	5/1894	Edsall .....	211/105.6
1,087,670		2/1914	Larson .	
1,200,027		10/1916	Risch .	
1,299,556		4/1919	Crecelius .	
1,819,965		8/1931	Norling .	
2,151,223		3/1939	Nayman, Sr. ....	156/19
2,263,698		11/1941	Hodgson .....	280/150
2,293,168		8/1942	Pirone .....	211/123
2,382,003		8/1945	Cones .....	211/123
2,520,051		8/1950	Newland .....	224/42.1
2,522,174		9/1950	Hermsmeyer .....	224/42.1
2,524,743		10/1950	Wright .....	224/42.1
2,532,909		12/1950	Hart .....	224/24.1
2,558,717		7/1951	Davis .....	224/42.1
2,569,678		10/1951	Larson et al. ....	224/42.1
2,668,647		2/1954	Osburn et al. ....	224/42.1
2,698,094		12/1954	Simpson .....	211/105.3
2,777,624		1/1957	Nelson .....	224/42.1
2,969,881		1/1961	Lilly .....	211/105.3
2,974,805		3/1961	Brosseau .....	211/105.5
3,040,902		6/1962	Dunn .....	211/105.4

3,279,835	*	10/1966	Krohnm .....	403/326
3,295,732		1/1967	Haven .....	224/42.1
3,319,853		5/1967	Wigington .....	224/42.1
3,424,314		1/1969	Cornelsen .....	211/105.3
3,429,452		2/1969	Johnson .....	211/105.3
3,481,483		12/1969	Harvey et al. ....	211/105.3
3,637,084		1/1972	Uitz .....	211/105.1
4,037,726		7/1977	Schweers .....	211/105.5
4,643,318		2/1987	Kopp .....	211/123

(List continued on next page.)

**OTHER PUBLICATIONS**

Cobbs Lifestyle Accessories, Marketing Brochure, Cobbs Manufacturing Company, 1994, p. 23 showing a clothes bar.  
Cobbs Lifestyle Accessories, Marketing Brochure, Cobbs Manufacturing Company, 1995, p. 29 showing a clothes bar.  
Cobbs Lifestyle Accessories, Marketing Brochure, Cobbs Manufacturing Company, 1996, p. 27 showing a clothes bar.  
Cobbs Lifestyle Accessories, Marketing Brochure, Cobbs Manufacturing Company, 1997, p. 20 showing a clothes bar.

*Primary Examiner*—Holly Baynham

(74) *Attorney, Agent, or Firm*—Dick and Harris

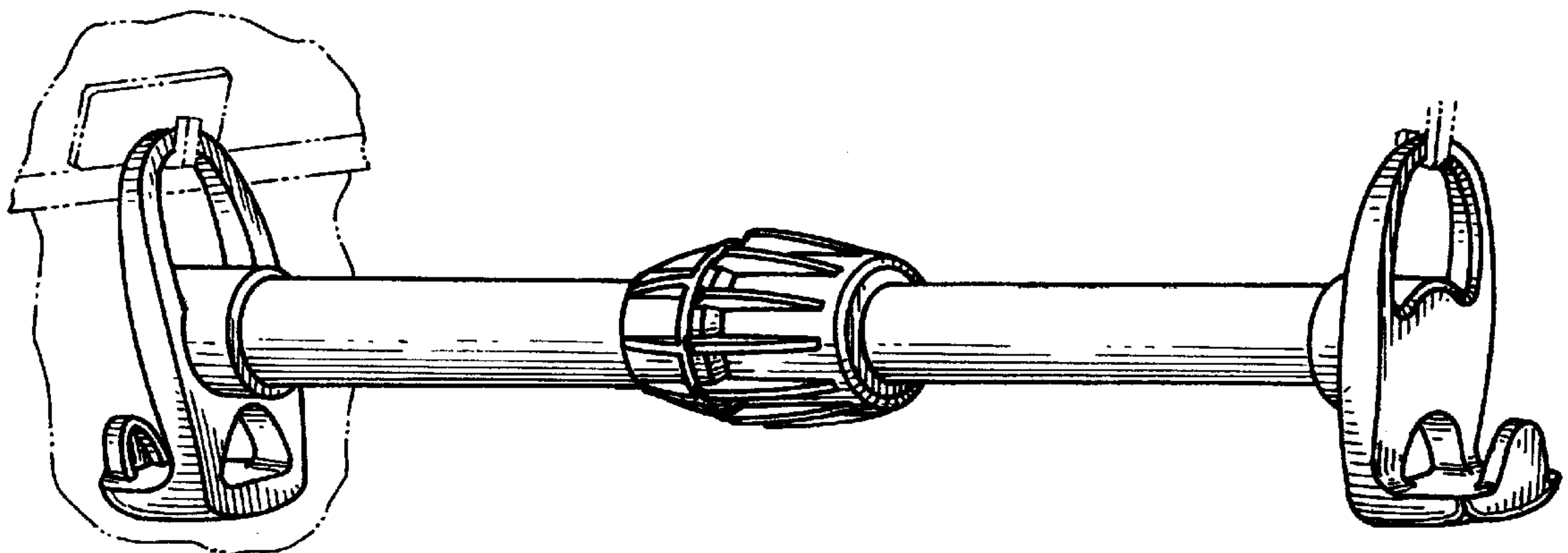
(57) **CLAIM**

The ornamental design for a clothes bar, as shown and described.

**DESCRIPTION**

FIG. 1 is a perspective view of the clothes bar showing our new design;  
FIG. 2 is a perspective view thereof in an alternate position;  
FIG. 3 is an enlarged front elevational view of the clothes bar shown in FIG. 1;  
FIG. 4 is a top plan view thereof;  
FIG. 5 is a bottom plan view thereof;  
FIG. 6 is a left side elevational view thereof; and,  
FIG. 7 is a right side elevational view thereof.  
The broken line showing of portions of a vehicle in FIGS. 1 and 2 is for illustrative purposes only and forms no part of the claimed design.

**1 Claim, 2 Drawing Sheets**



# US D436,025 S

Page 2

---

## U.S. PATENT DOCUMENTS

			5,281,063	1/1994	Austin, III .....	410/151
			5,284,282	2/1994	Mottino .....	224/310
			5,433,551	7/1995	Gordon .....	403/377
			5,642,595	7/1997	Daniels et al. ....	52/301
			5,702,010	12/1997	Liang .....	211/105.1
4,767,013	8/1988	Bertelli .....				211/96
4,824,302	4/1989	Schultheis et al. ....				410/151
4,895,471	1/1990	Geltz et al. ....				403/104
5,121,844	6/1992	Ball .....				211/124
5,127,459	7/1992	Markowitz .....				160/263
5,242,065	9/1993	Hoban .....				211/105.6

\* cited by examiner

Fig 1

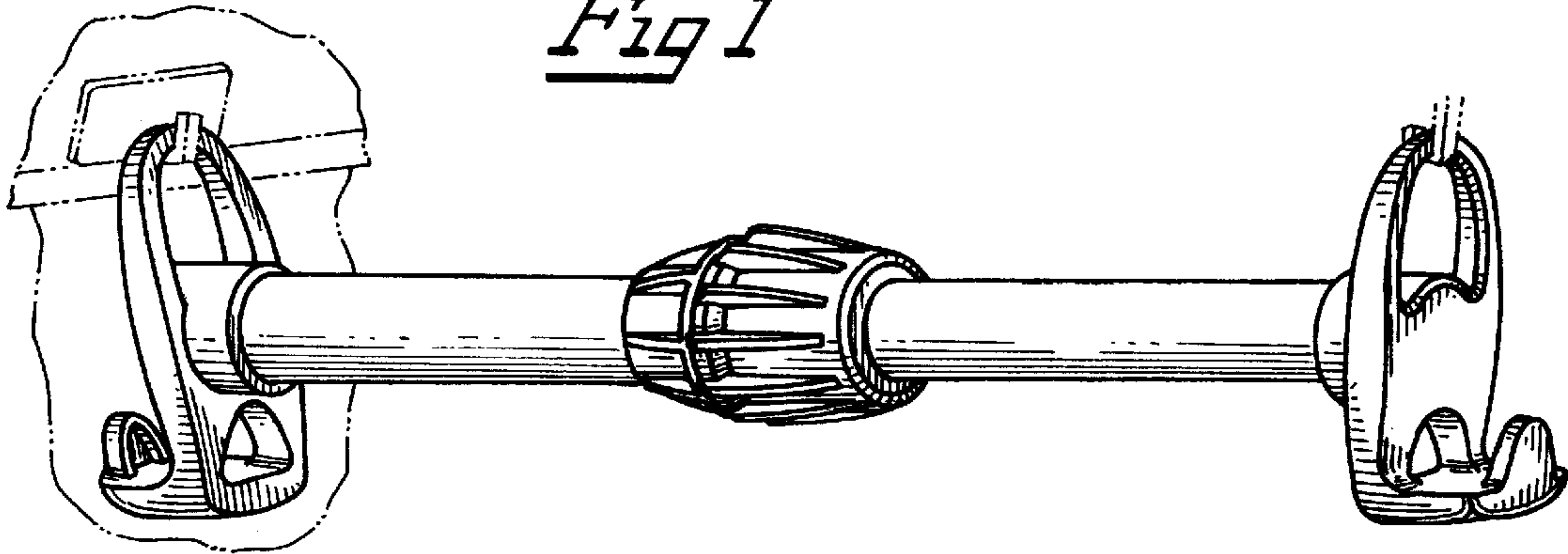


Fig 2

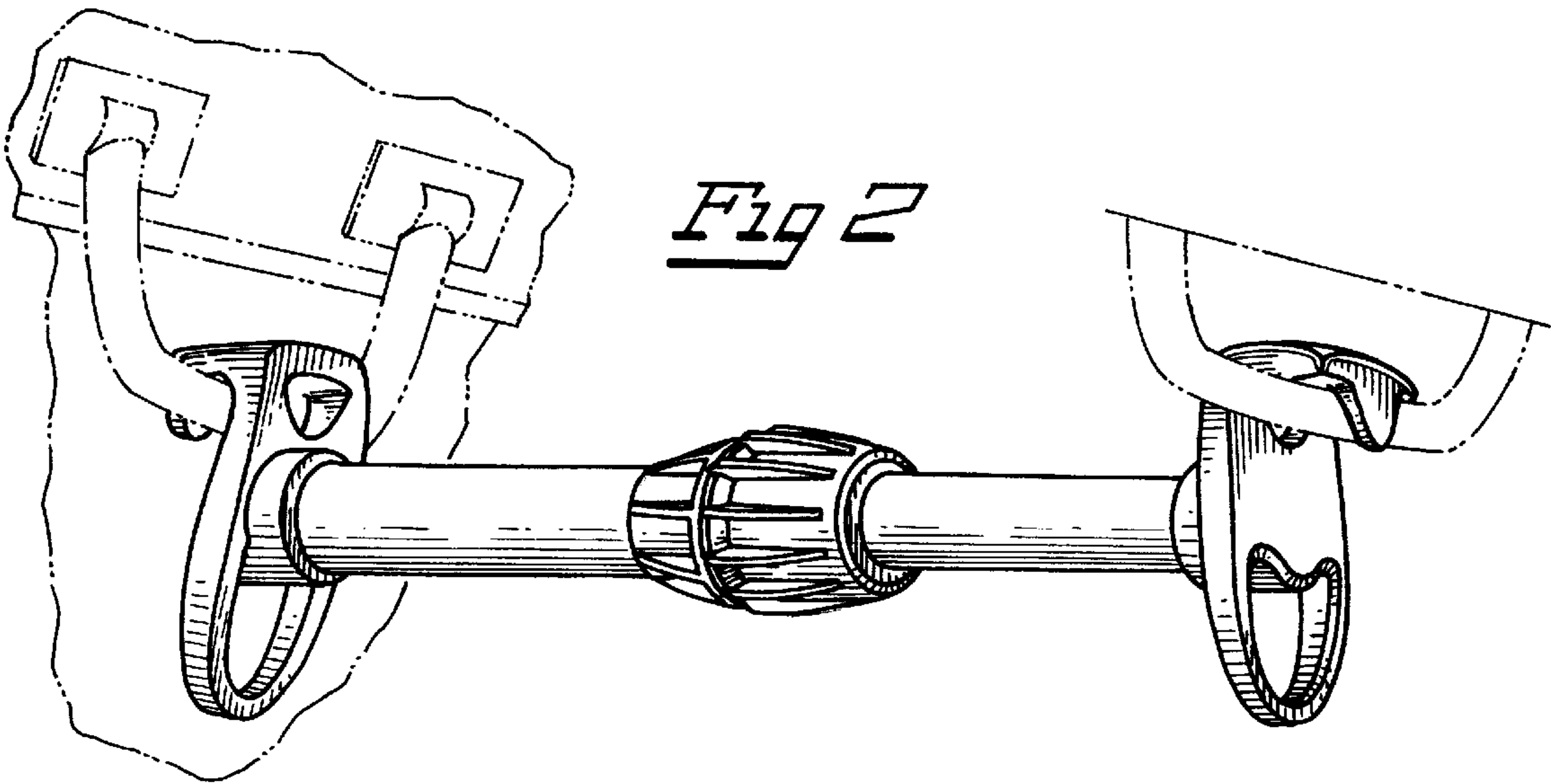


Fig 3

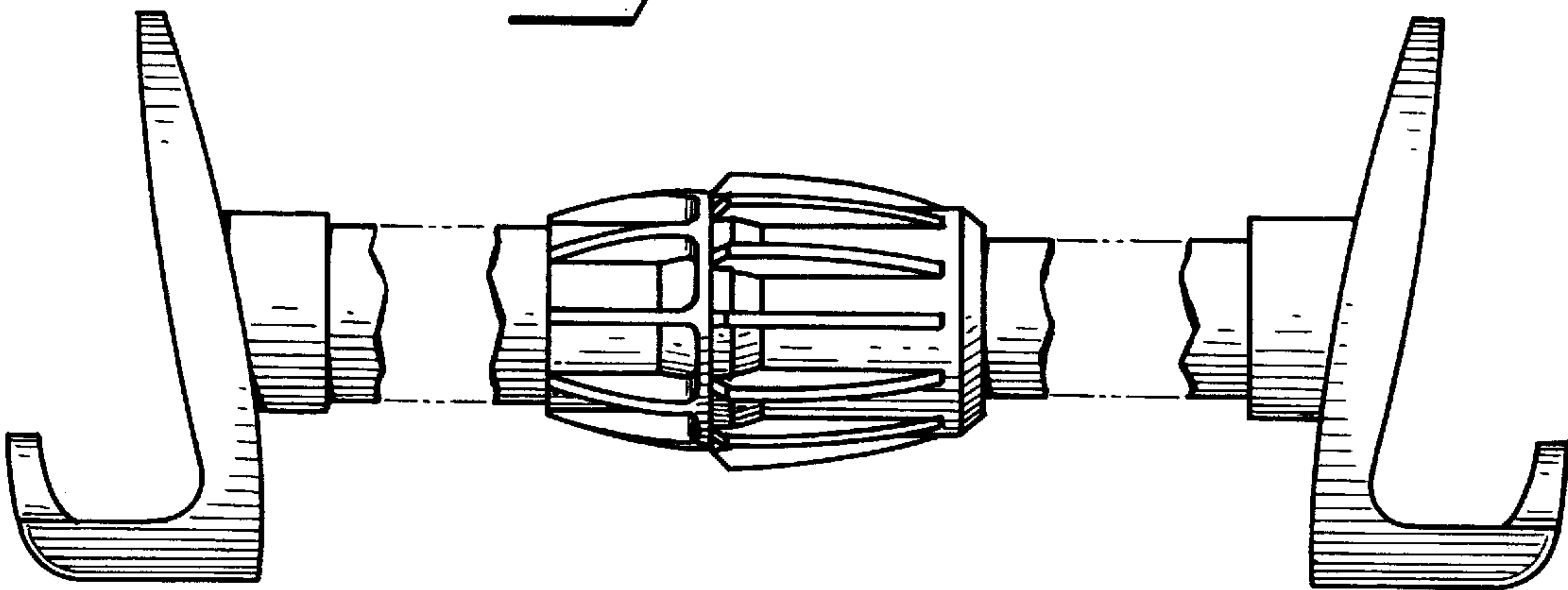


Fig 4

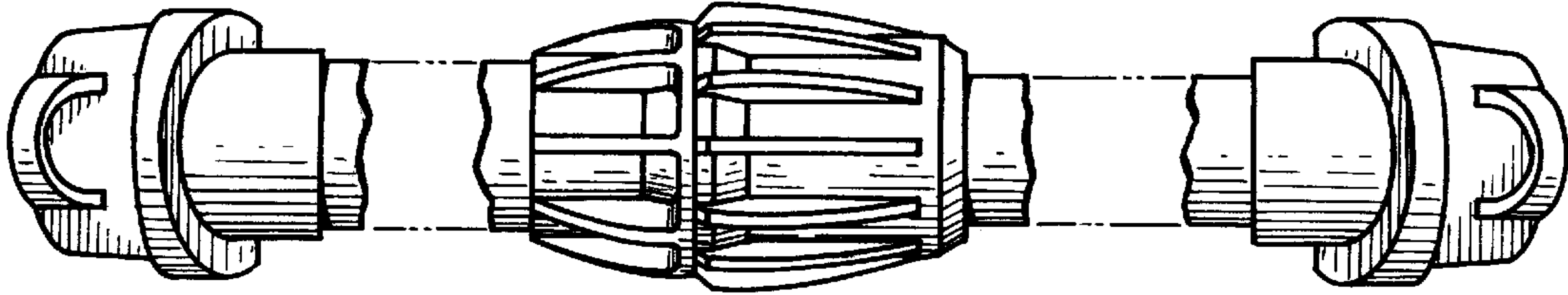


Fig 5

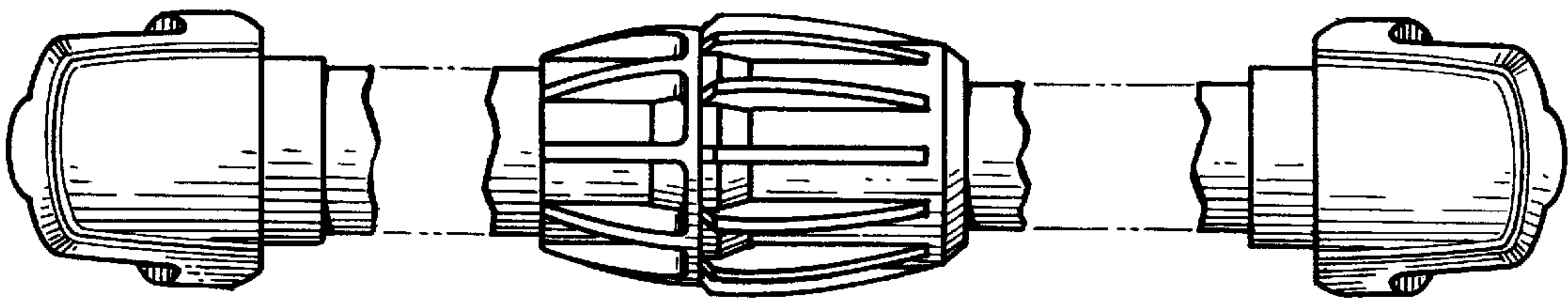


Fig 6

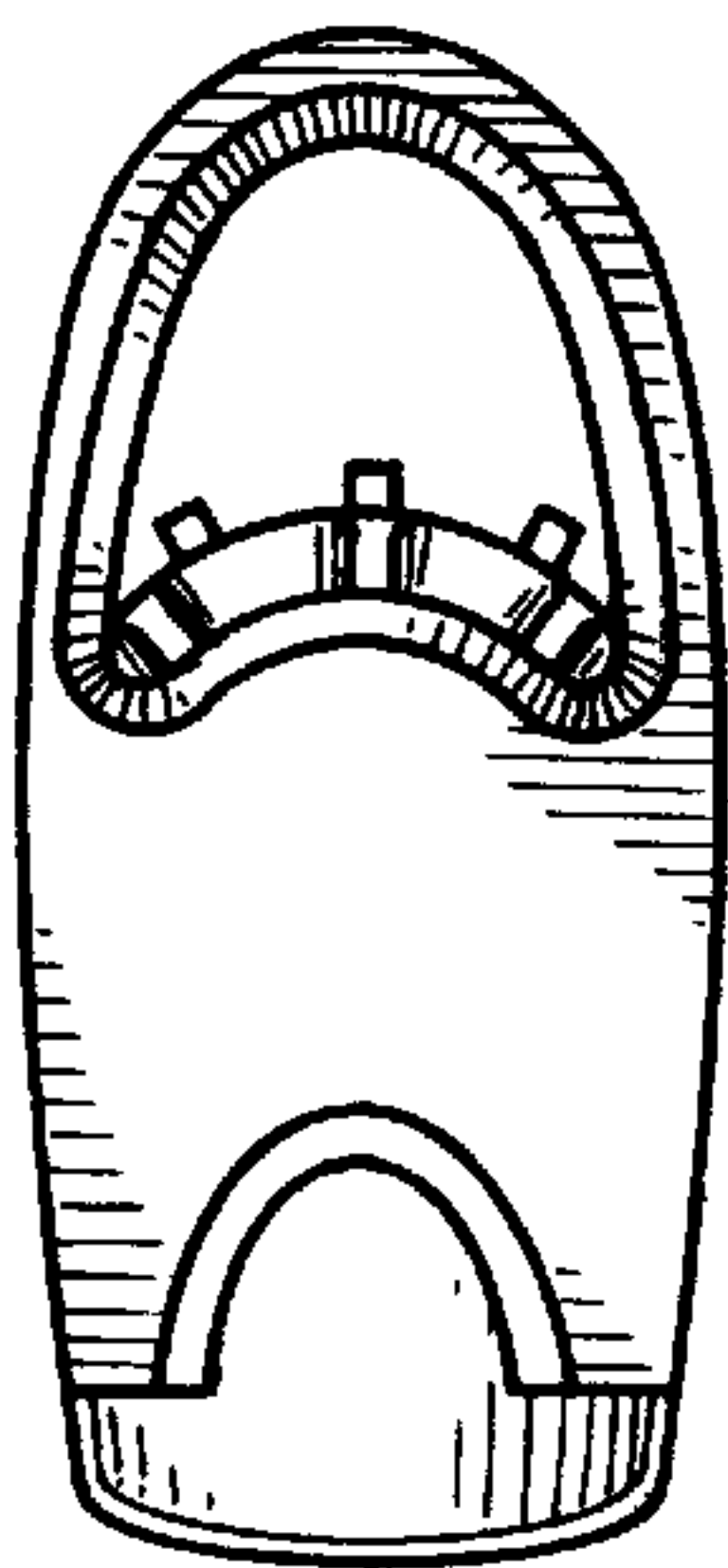


Fig 7

