



US00D436022S

(12) **United States Design Patent**  
**Arnold**

(10) **Patent No.:** **US D436,022 S**

(45) **Date of Patent:** **\*\* Jan. 9, 2001**

(54) **TENSION CONTROL BUSHING FOR ELECTRICAL WIRE SPOOLS**

D. 406,049 \* 2/1999 Bernat ..... D8/358

\* cited by examiner

(76) **Inventor:** **Stanley E. Arnold**, 19425-B Soledad Canyon Rd. #238, Santa Clarita, CA (US) 91351

*Primary Examiner*—Holly Baynham  
(74) *Attorney, Agent, or Firm*—William E. Hein

(\*\*) **Term:** **14 Years**

(57) **CLAIM**

The ornamental design for a tension control bushing for electrical wire spools, as shown and described.

(21) **Appl. No.:** **29/121,560**

(22) **Filed:** **Apr. 7, 2000**

**DESCRIPTION**

(51) **LOC (7) Cl.** ..... **08-05**

(52) **U.S. Cl.** ..... **D8/358**

(58) **Field of Search** ..... D8/356, 358, 354; 242/405.1, 613.5, 608.7, 596.7

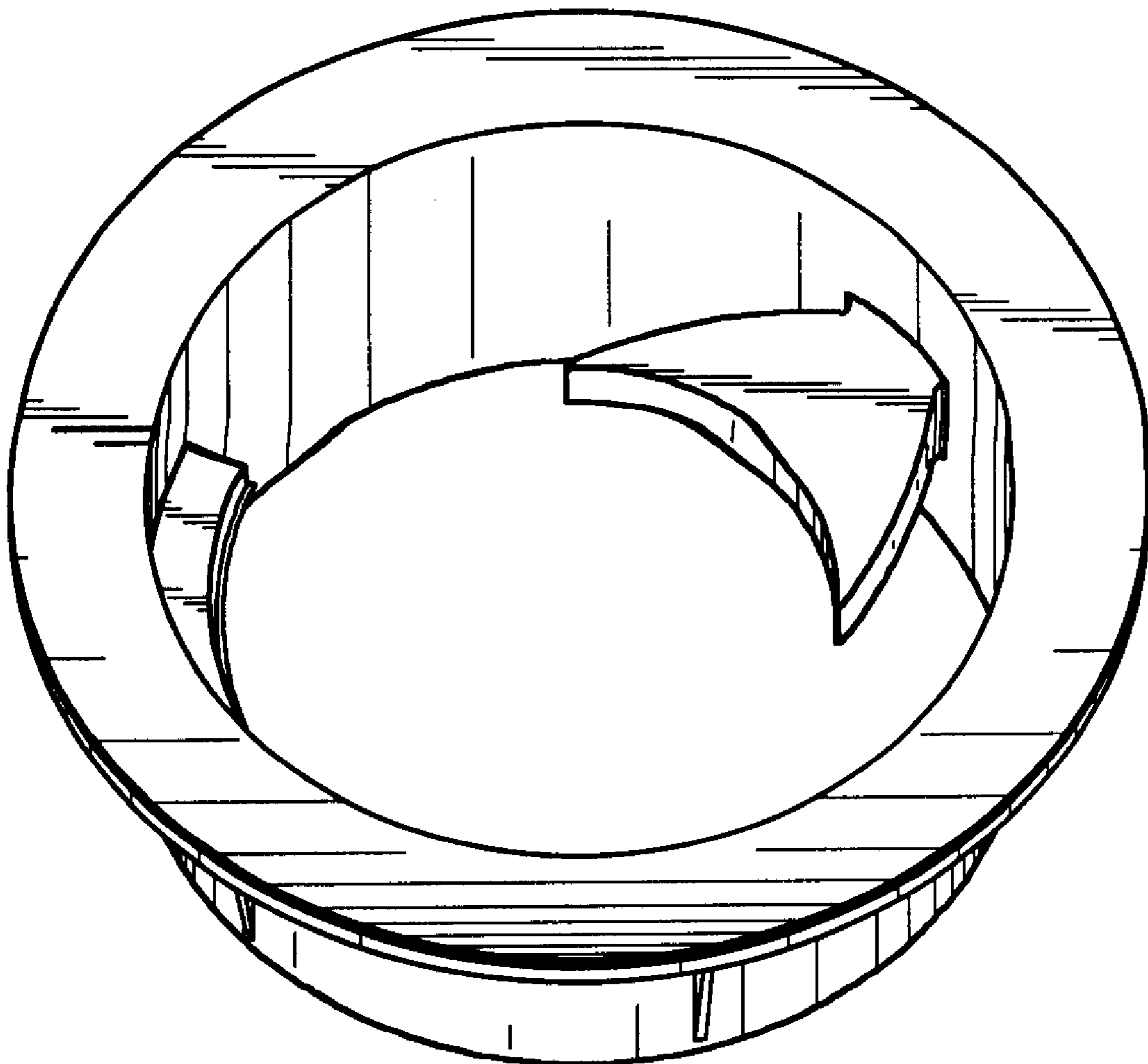
FIG. 1 is a front perspective view of a tension control bushing for electrical wire spools, showing my new design; FIG. 2 is a rear perspective view; FIG. 3 is a top plan view; FIG. 4 is a bottom plan view; and, FIG. 5 is a front elevation view, the rear elevation view being identical thereto.

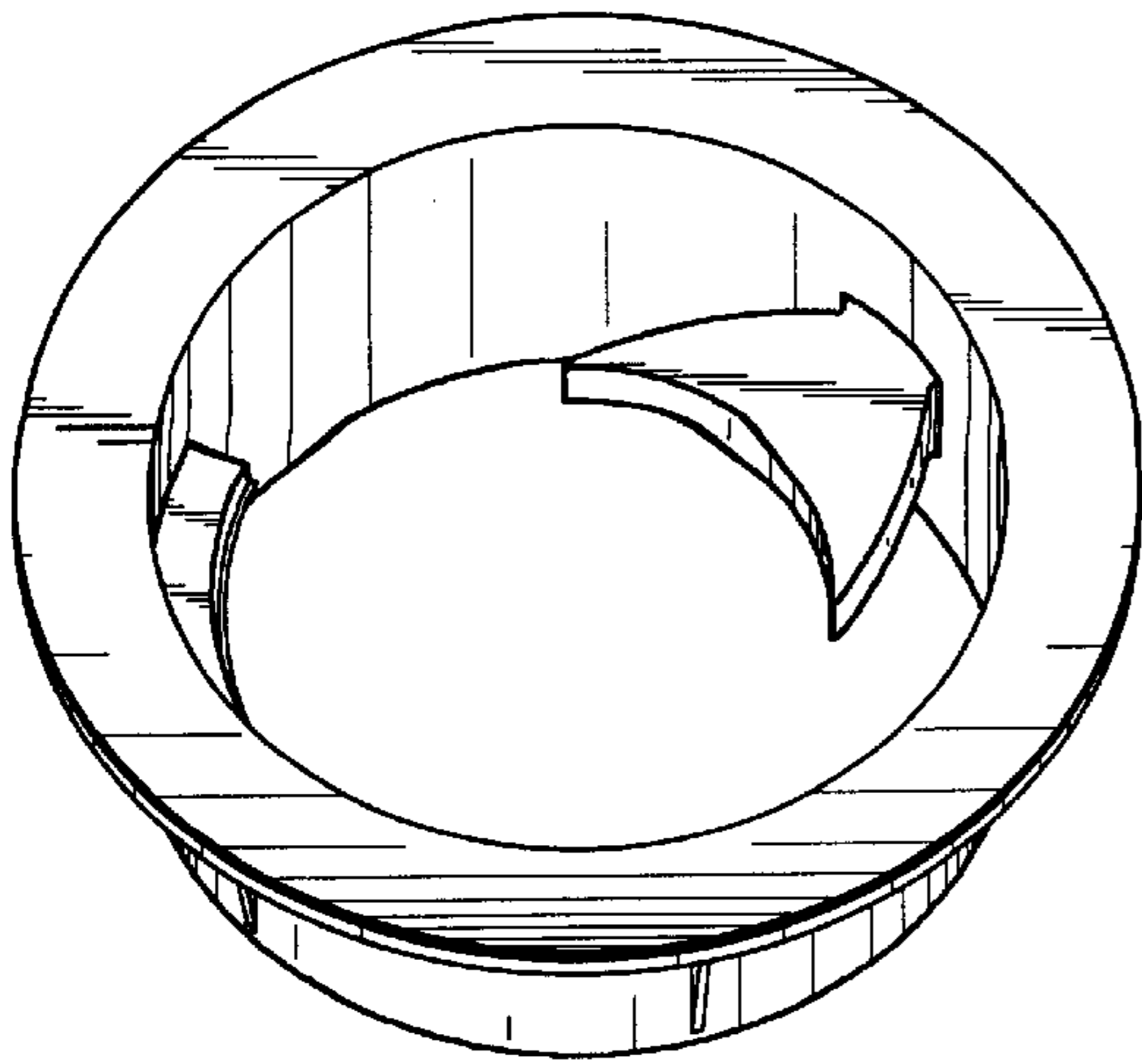
(56) **References Cited**

**U.S. PATENT DOCUMENTS**

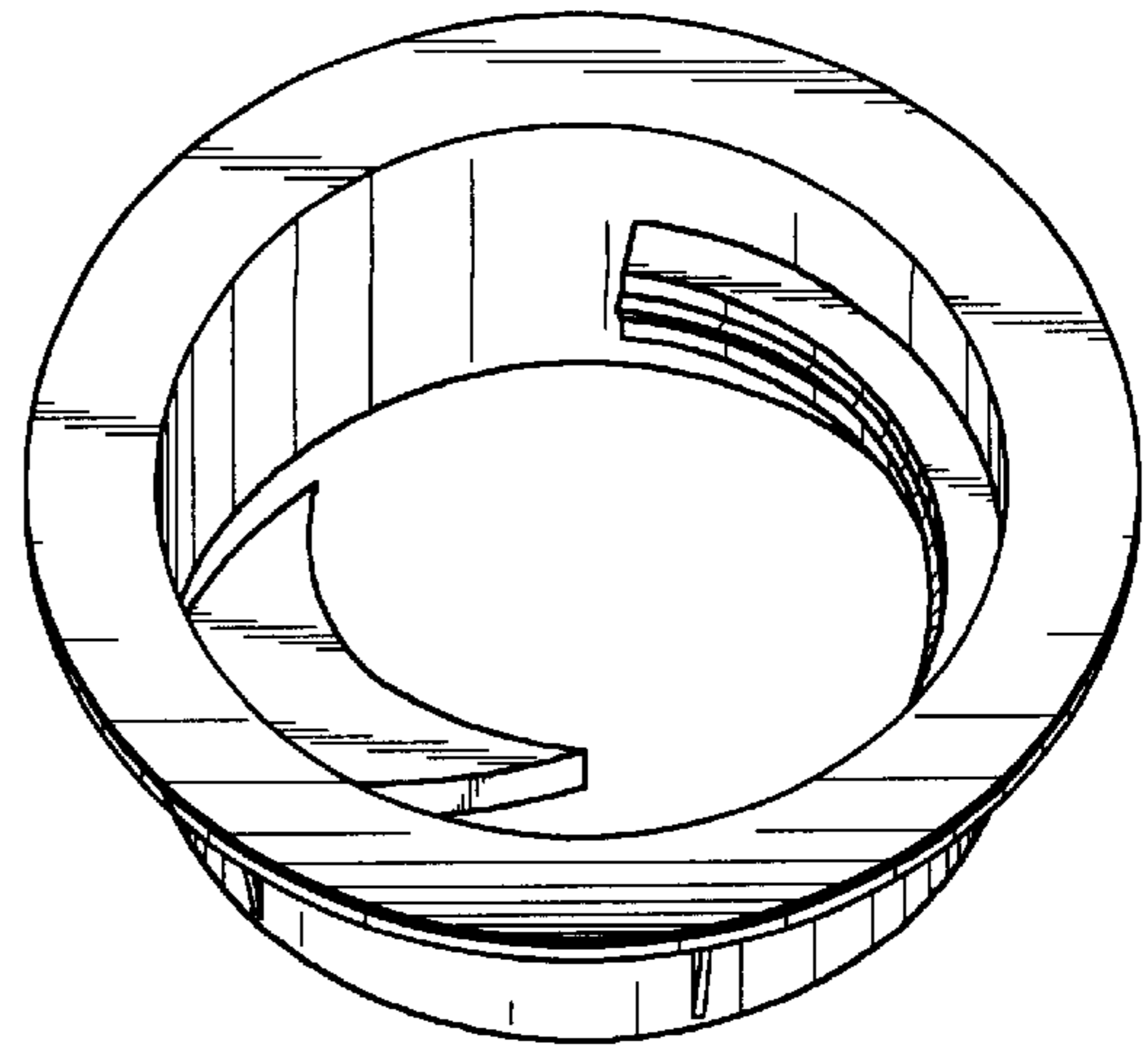
D. 311,486 \* 10/1990 Hickman ..... D8/358

**1 Claim, 1 Drawing Sheet**

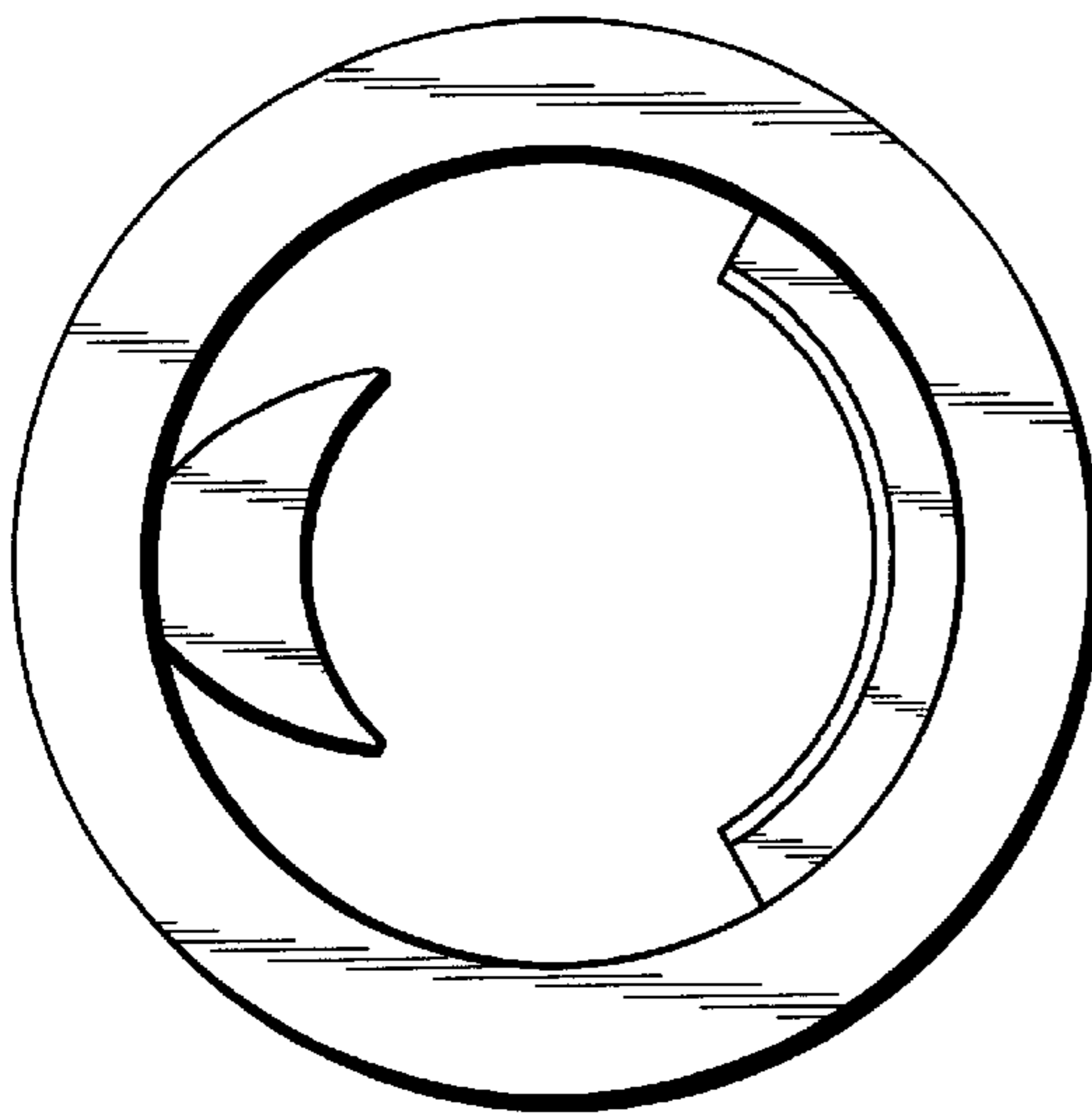




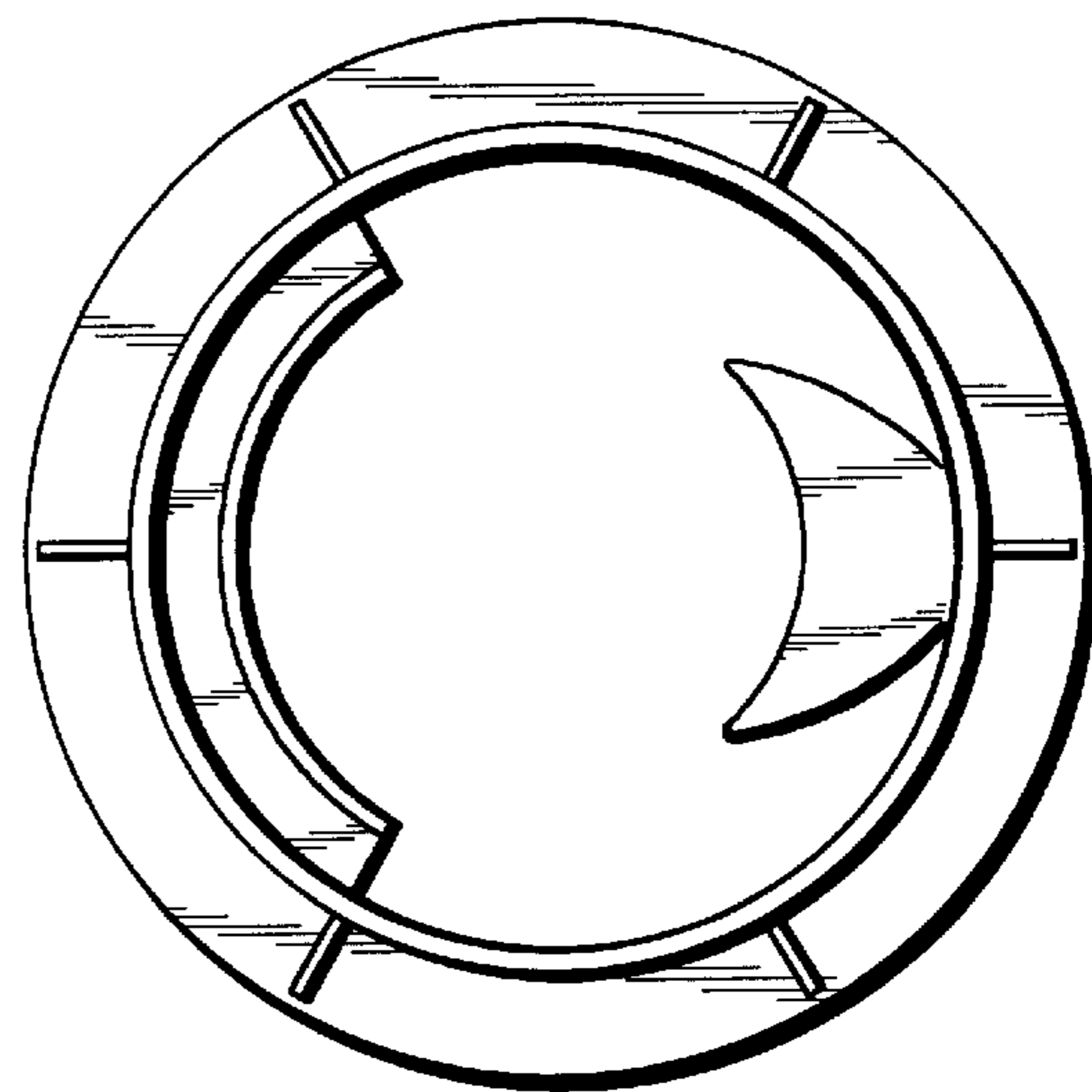
*Figure 1*



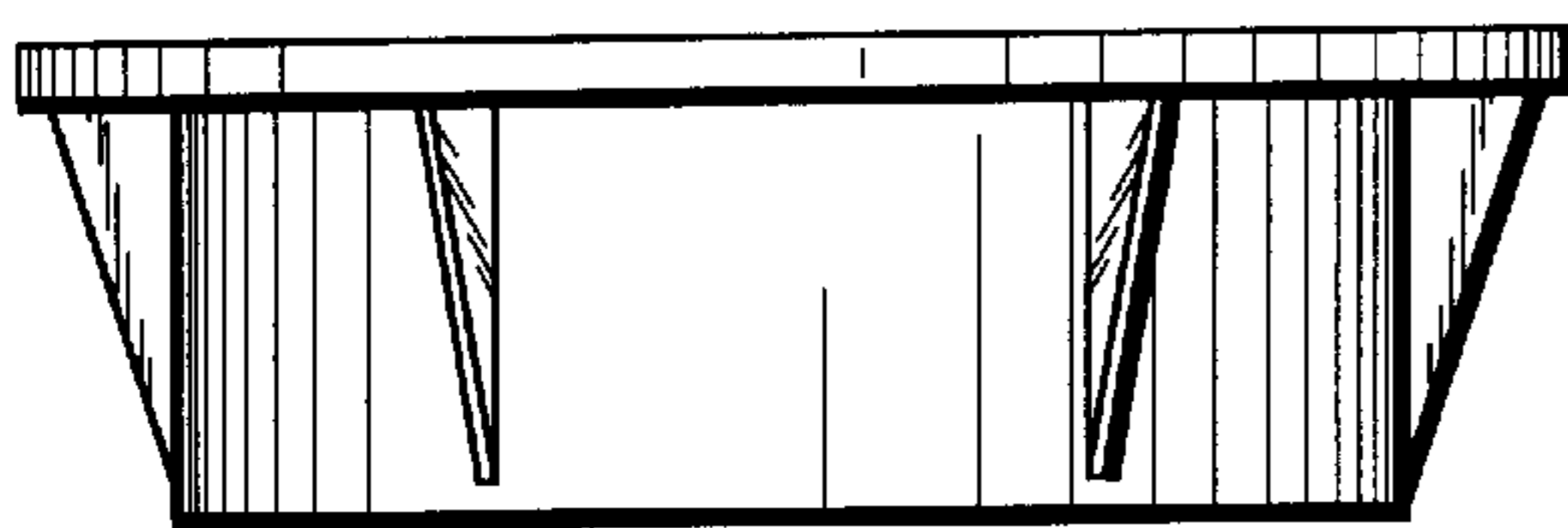
*Figure 2*



*Figure 3*



*Figure 4*



*Figure 5*