



US00D436021S

(12) **United States Design Patent**  
**Arnold**

(10) **Patent No.:** **US D436,021 S**

(45) **Date of Patent:** **\*\* Jan. 9, 2001**

(54) **ELECTRICAL WIRE SPOOL WITH INTEGRATED TENSION CONTROL BUSHING**

4,083,450 \* 4/1978 LaMar ..... 206/416

**FOREIGN PATENT DOCUMENTS**

2084975 \* 9/1999 (GB) .

(76) **Inventor:** **Stanley E. Arnold**, 19425-B Soledad Canyon Rd., #238, Santa Clarita, CA (US) 91351

\* cited by examiner

*Primary Examiner*—Holly Baynham

(74) *Attorney, Agent, or Firm*—William E. Hein

(\*\*) **Term:** **14 Years**

(57) **CLAIM**

(21) **Appl. No.:** **29/121,523**

The ornamental design for an electrical wire spool with integrated tension control bushing, as shown and described.

(22) **Filed:** **Apr. 7, 2000**

(51) **LOC (7) Cl.** ..... **08-05**

(52) **U.S. Cl.** ..... **D8/358**

(58) **Field of Search** ..... D8/358; 242/118.7, 242/129.8, 128, 405.3; 206/416

**DESCRIPTION**

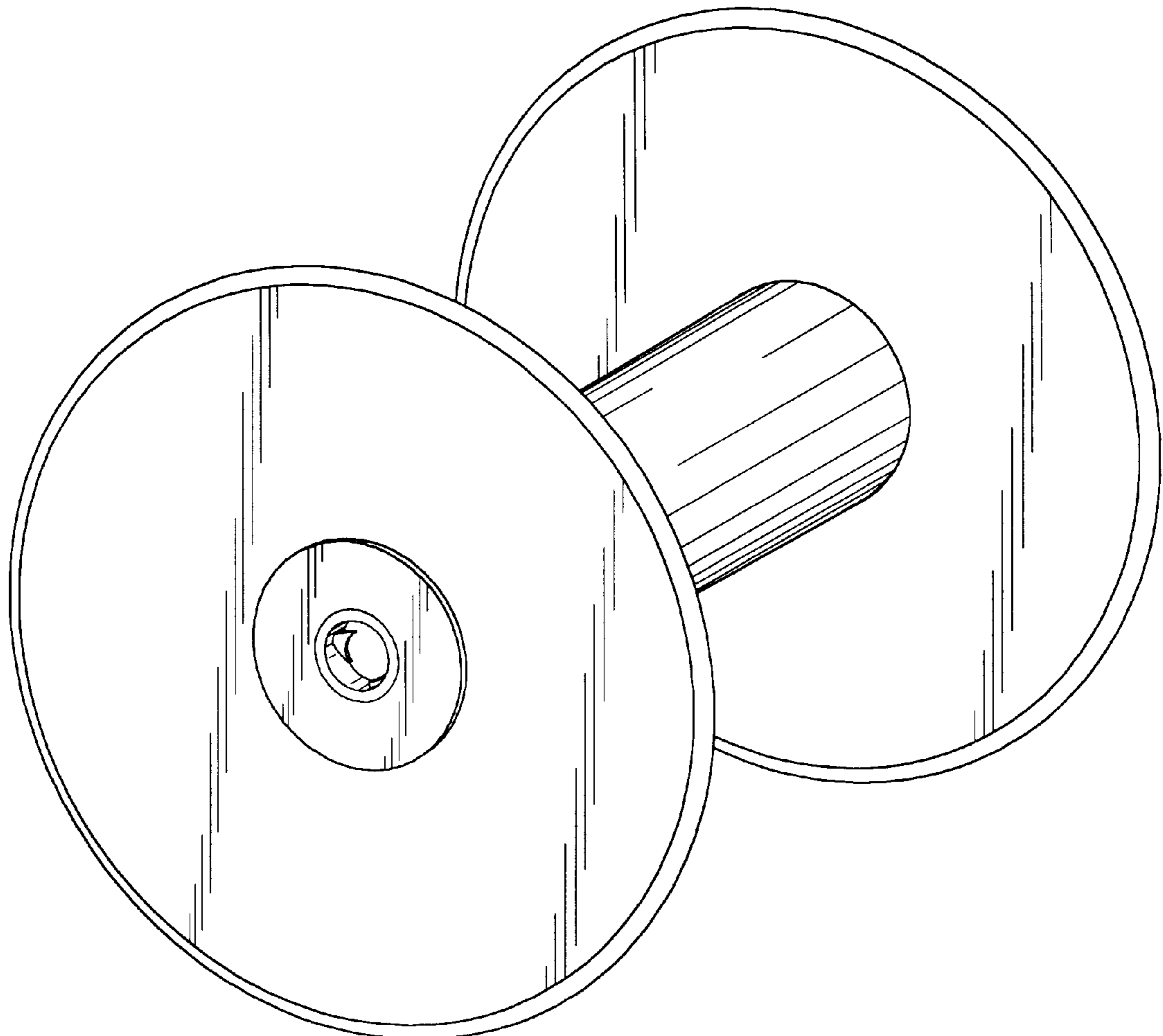
FIG. 1 is a front perspective view of an electrical wire spool with integrated tension control bushing; FIG. 2 is a rear perspective view; FIG. 3 is a left side elevation view, the right side elevation view being identical thereto; and, FIG. 4 is a front elevation view, the rear elevation view being identical thereto.

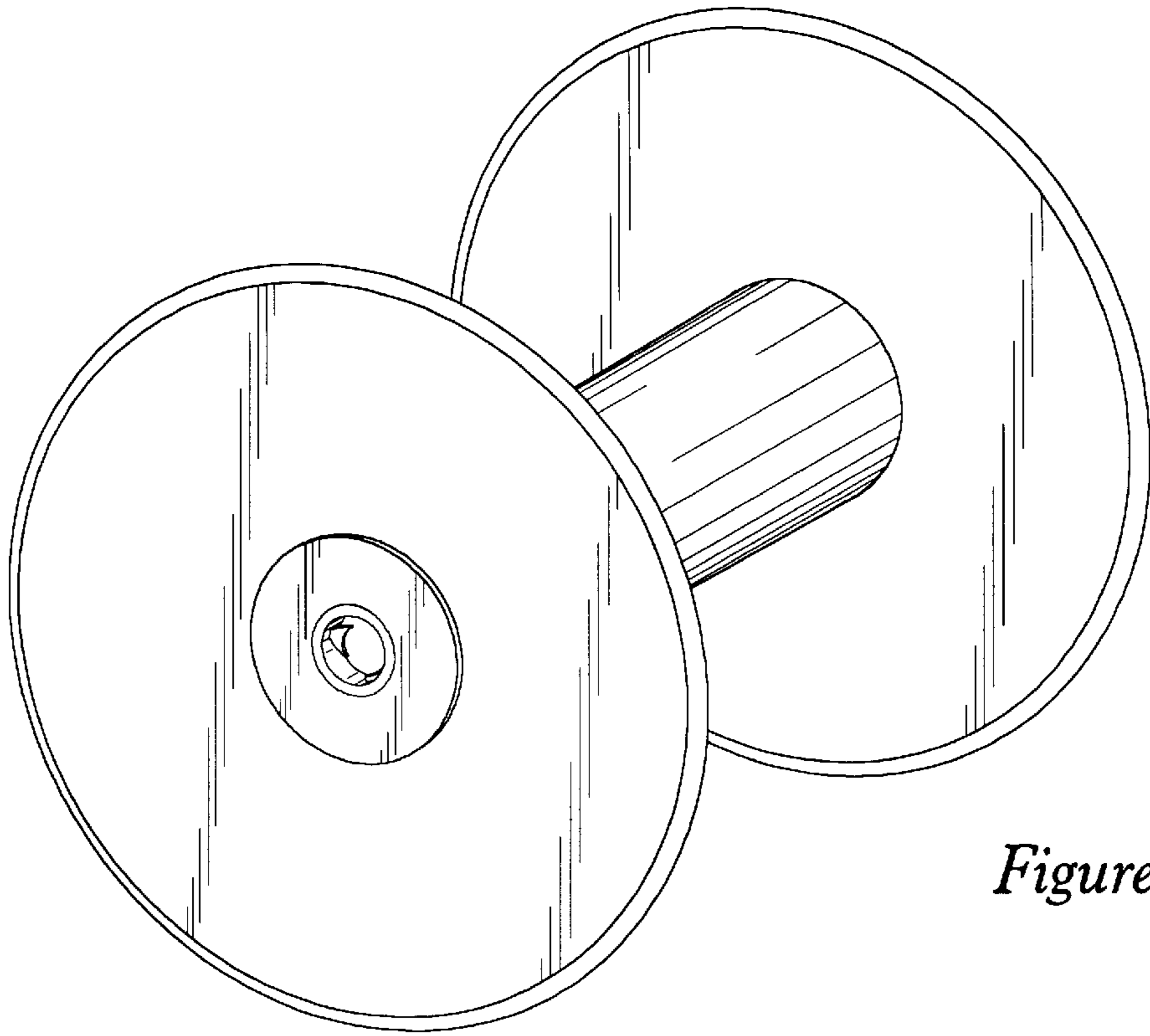
(56) **References Cited**

**U.S. PATENT DOCUMENTS**

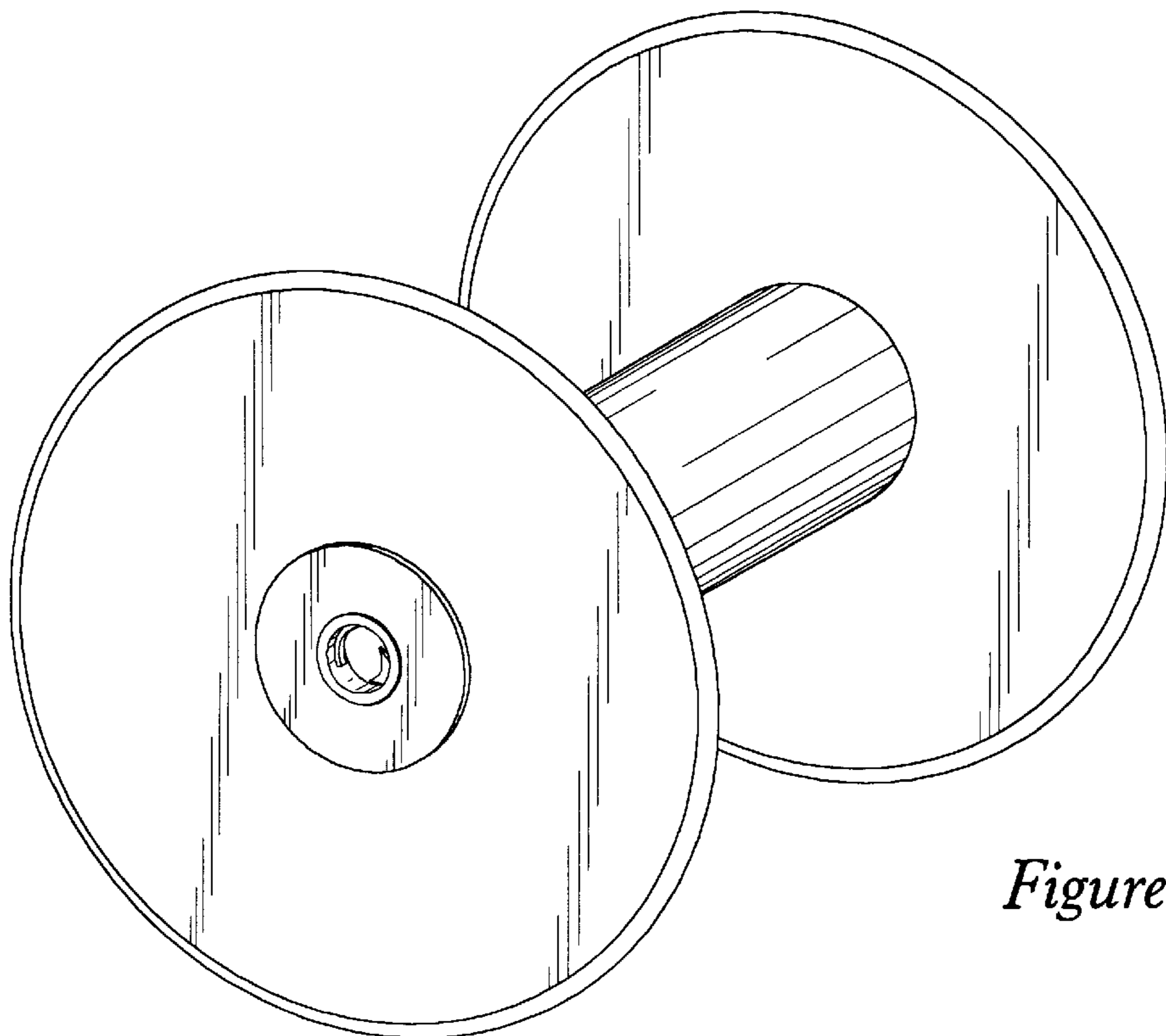
- D. 341,769 \* 11/1993 Donaldson ..... D8/358
- 2,828,090 \* 3/1958 Steinback ..... 242/118.7
- 3,266,749 \* 8/1966 Christian et al. .... 242/118.7

**1 Claim, 2 Drawing Sheets**

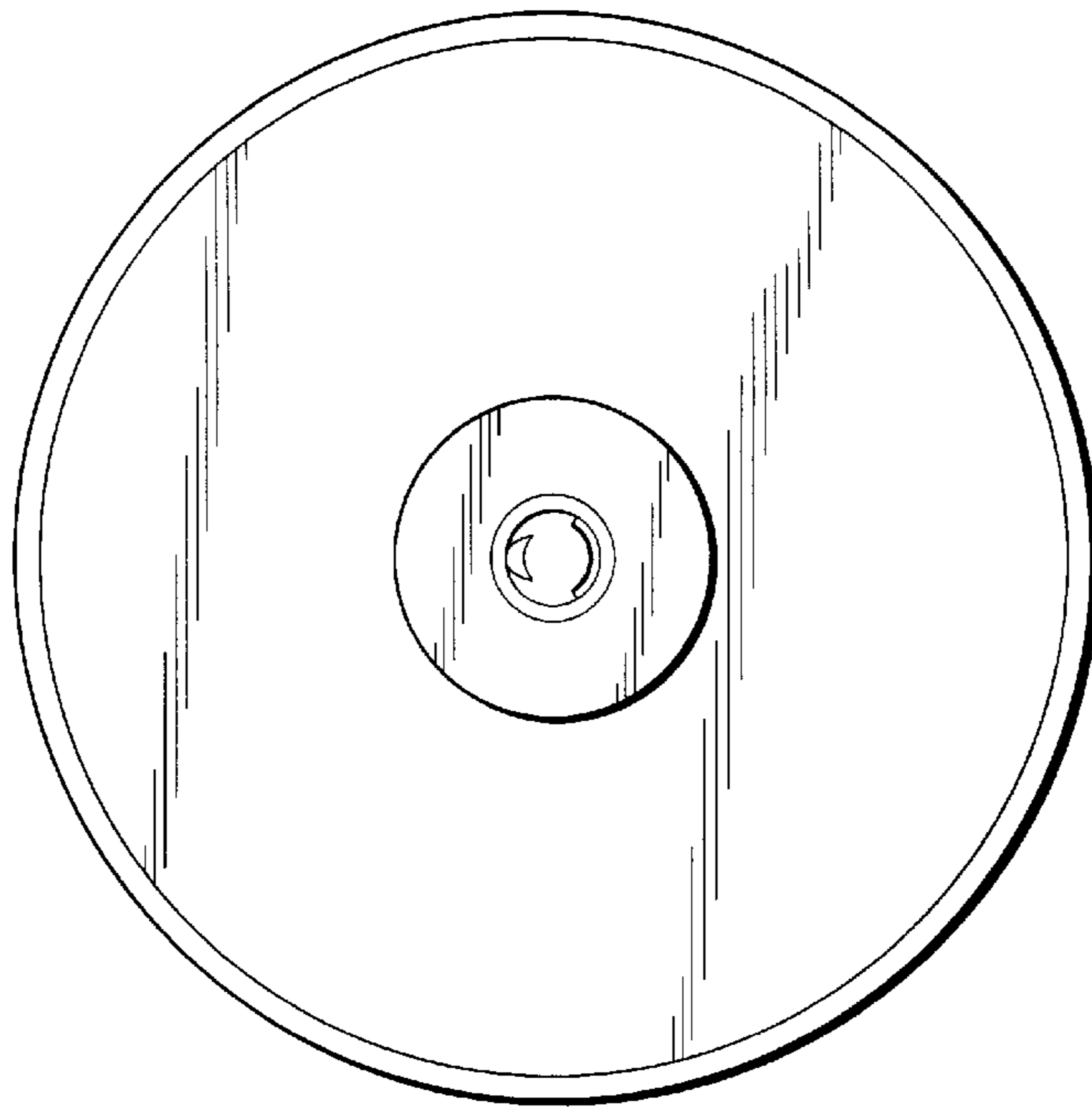




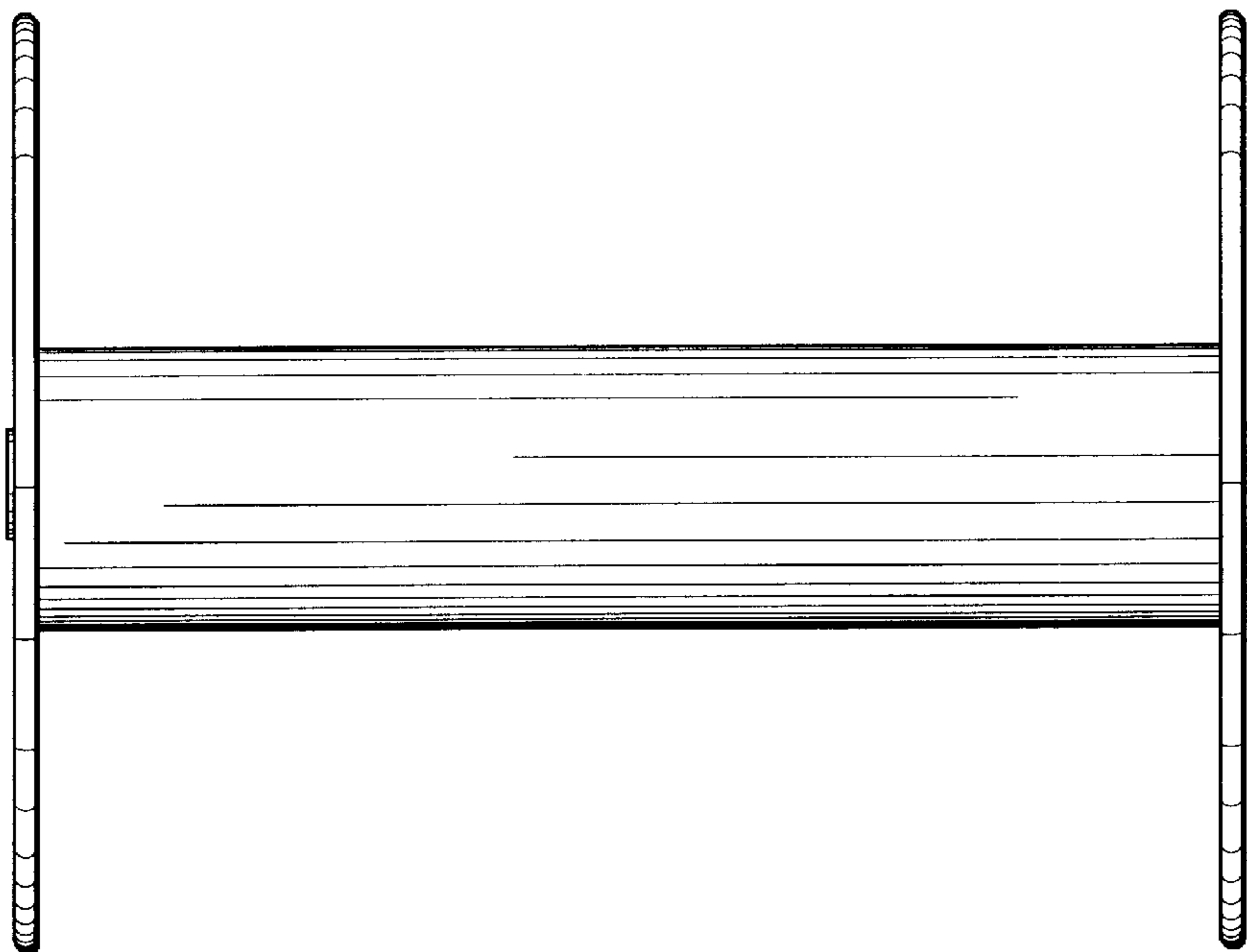
*Figure 1*



*Figure 2*



*Figure 3*



*Figure 4*