



US00D436020S

(12) **United States Design Patent**
Thomas

(10) **Patent No.:** **US D436,020 S**

(45) **Date of Patent:** **** Jan. 9, 2001**

(54) **COIL HOSE HANGER WITH SUN SHAPED HEAD MEMBER**

1,172,937 * 2/1916 Butcher D8/370

* cited by examiner

(75) Inventor: **Joyce Thomas**, Lexington, IL (US)

Primary Examiner—Holly Baynham

(73) Assignee: **L. R. Nelson Corporation**, Peoria, IL (US)

(74) *Attorney, Agent, or Firm*—Mayer, Brown & Platt

(**) Term: **14 Years**

(57) **CLAIM**

The ornamental design for a coil hose hanger with sun shaped head member, as shown.

(21) Appl. No.: **29/126,590**

(22) Filed: **Jul. 18, 2000**

DESCRIPTION

(51) **LOC (7) Cl.** **08-05**

FIG. 1 is a perspective view showing my new design;

(52) **U.S. Cl.** **D8/356; D8/1**

FIG. 2 is a side elevational view thereof;

(58) **Field of Search** D8/1, 356; 248/87, 248/156; 239/276; 47/47

FIG. 3 is a front elevational view thereof;

FIG. 4 is an opposite side elevational view thereof;

FIG. 5 is a back elevational view thereof;

FIG. 6 is a top plan view thereof; and,

FIG. 7 is a bottom plan view thereof.

(56) **References Cited**

U.S. PATENT DOCUMENTS

D. 322,388 * 12/1991 Hoskinson et al. D8/370

1 Claim, 3 Drawing Sheets

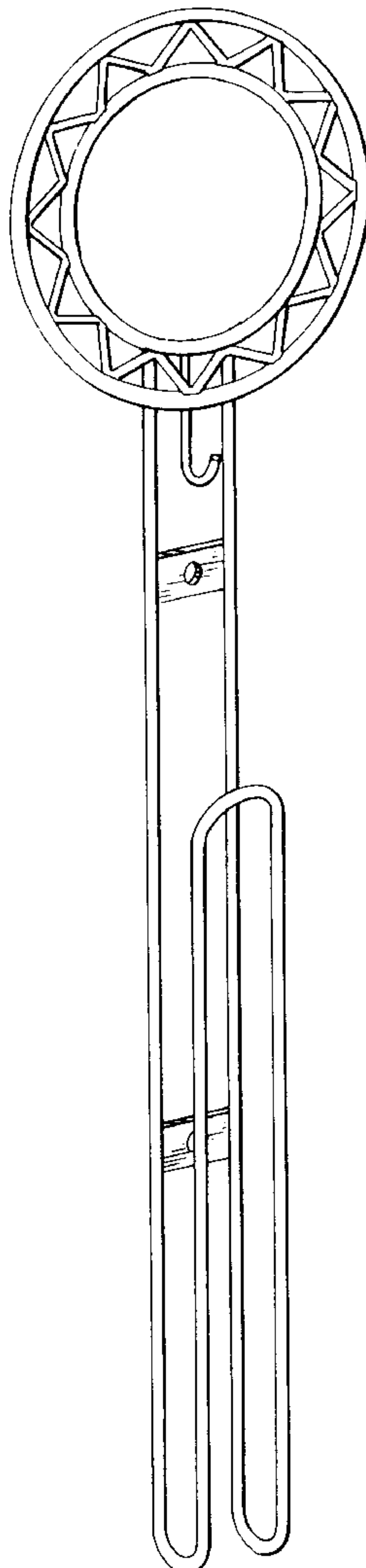


FIG. 1

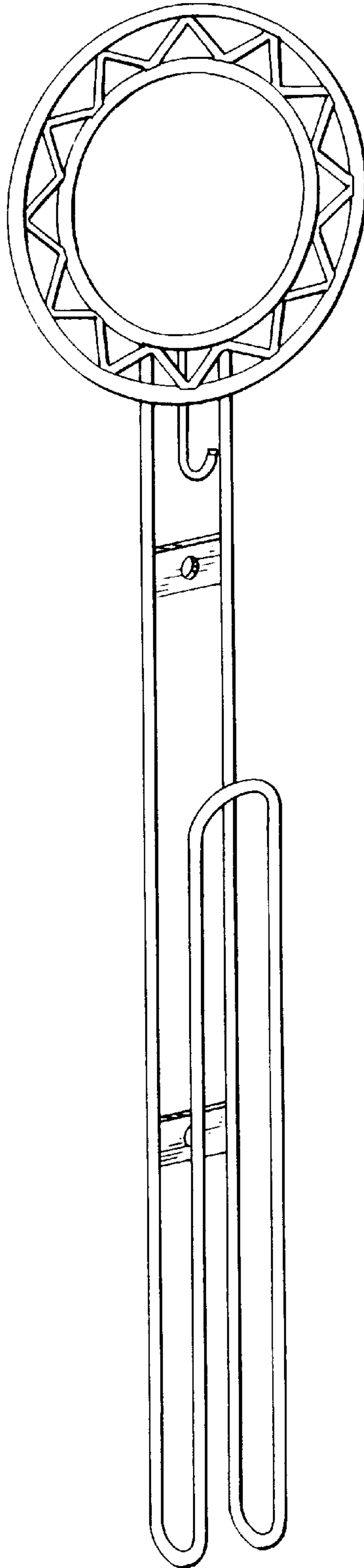


FIG. 2

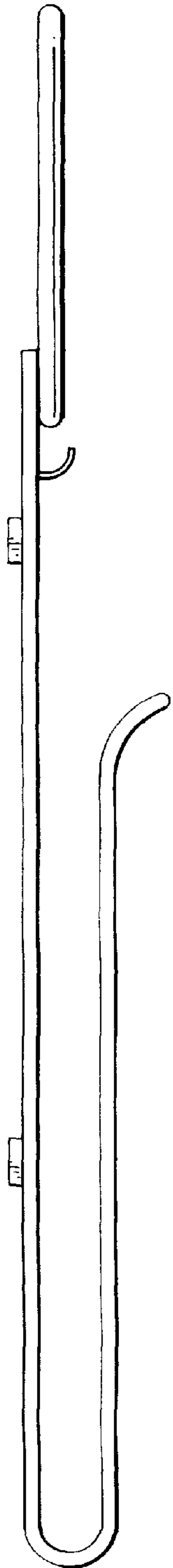


FIG. 3

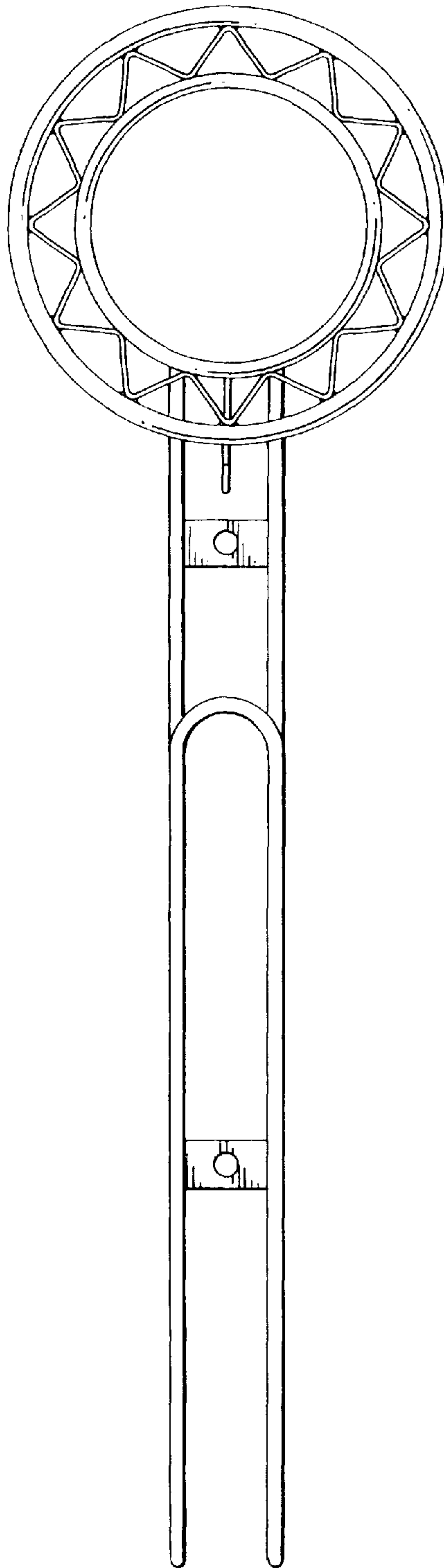


FIG. 4

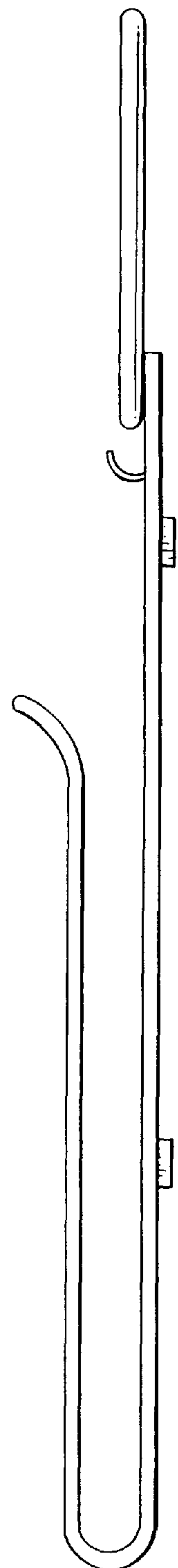


FIG. 5

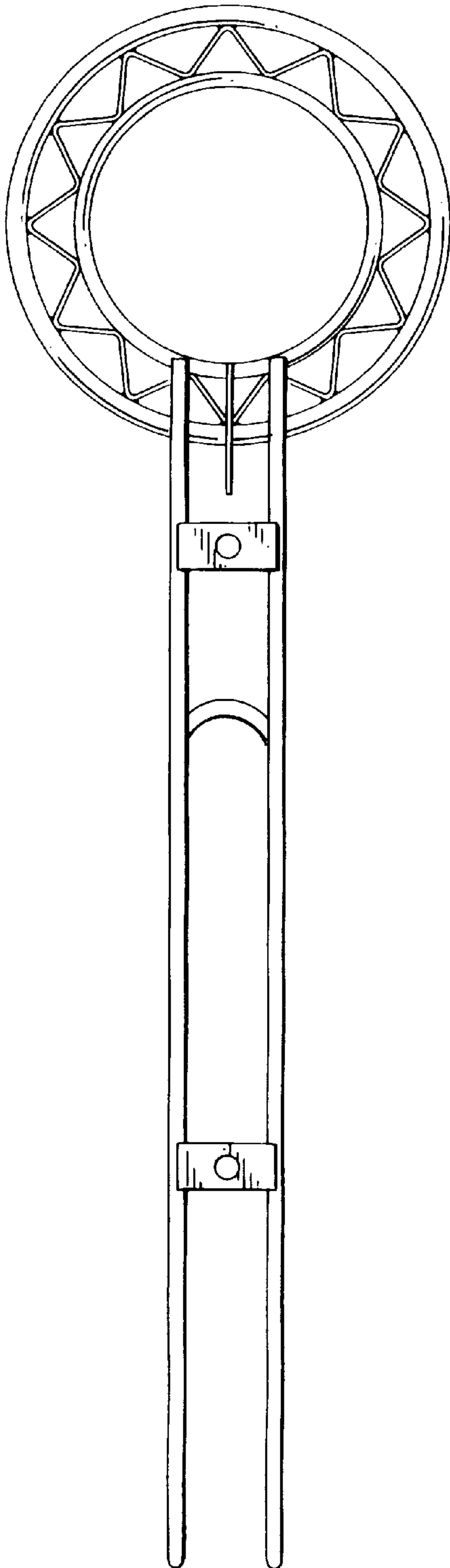


FIG. 6

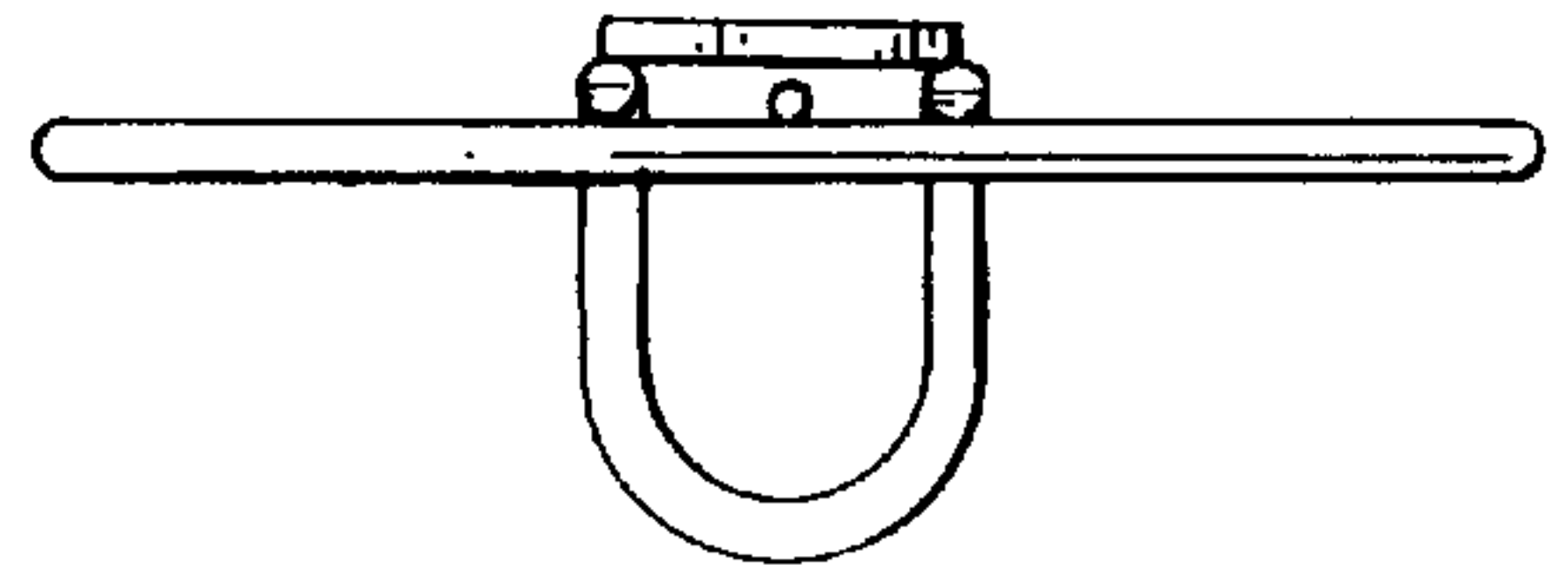


FIG. 7

