



US00D436019S

(12) **United States Design Patent**
Thomas

(10) **Patent No.:** **US D436,019 S**

(45) **Date of Patent:** **** Jan. 9, 2001**

(54) **HOSE GUIDE WITH SUN SHAPED HEAD MEMBER**

D. 414,662 * 10/1999 Kerns et al. D8/1
2,574,441 * 11/1951 Stewart 248/87

(75) Inventor: **Joyce Thomas**, Lexington, IL (US)

* cited by examiner

(73) Assignee: **L. R. Nelson Corporation**, Peoria, IL (US)

Primary Examiner—Holly Baynham

(74) *Attorney, Agent, or Firm*—Mayer, Brown & Platt

(**) Term: **14 Years**

(57) **CLAIM**

The ornamental design for a hose guide with sun shaped head member, as shown.

(21) Appl. No.: **29/126,589**

(22) Filed: **Jul. 18, 2000**

DESCRIPTION

(51) **LOC (7) Cl.** **08-05**

(52) **U.S. Cl.** **D8/356; D8/1**

(58) **Field of Search** D8/1, 356; 248/87,
248/156; 239/276

FIG. 1 is a perspective view showing my new design;
FIG. 2 is a side elevational view thereof,
FIG. 3 is a front elevational view thereof;
FIG. 4 is an opposite side elevational view thereof,
FIG. 5 is a back elevational view thereof;
FIG. 6 is a top plan view thereof; and,
FIG. 7 is a bottom plan view thereof.

(56) **References Cited**

U.S. PATENT DOCUMENTS

D. 130,495 * 11/1941 Stewart D8/356

1 Claim, 1 Drawing Sheet

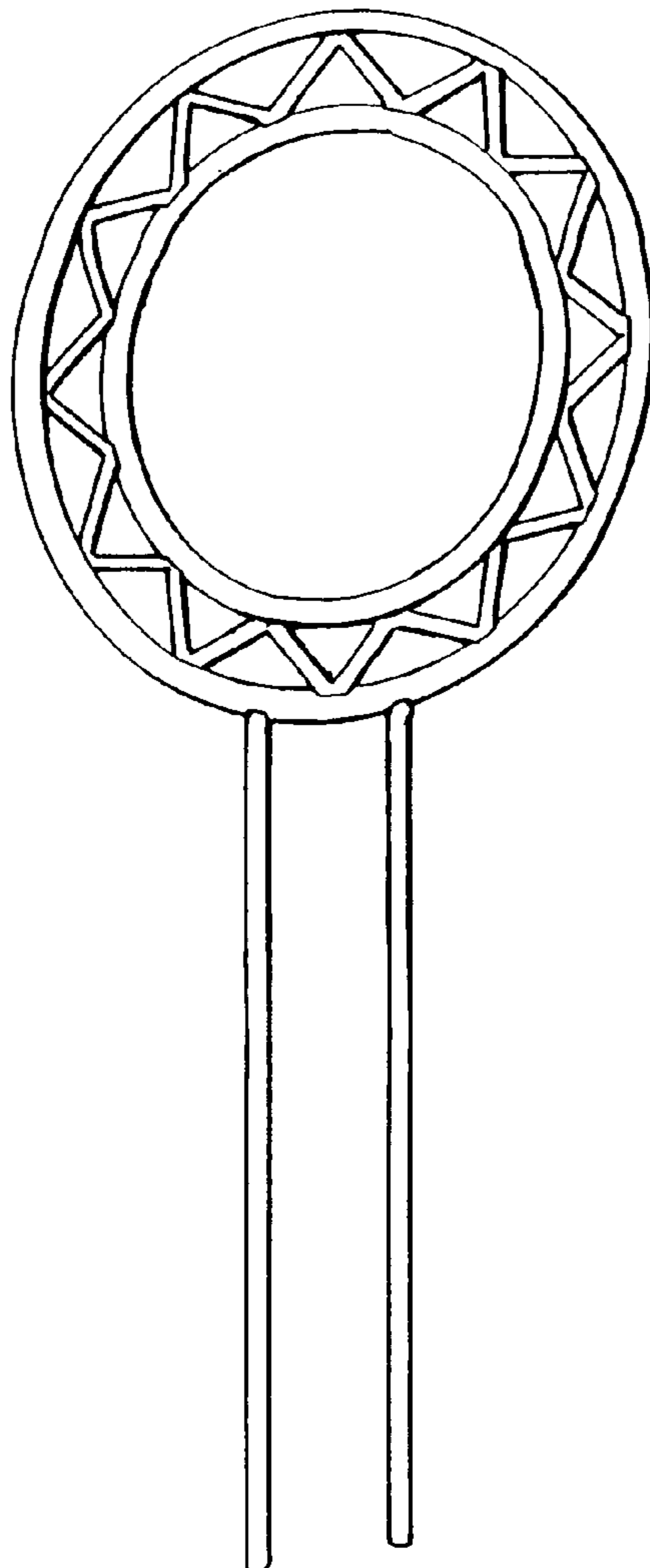


FIG 1

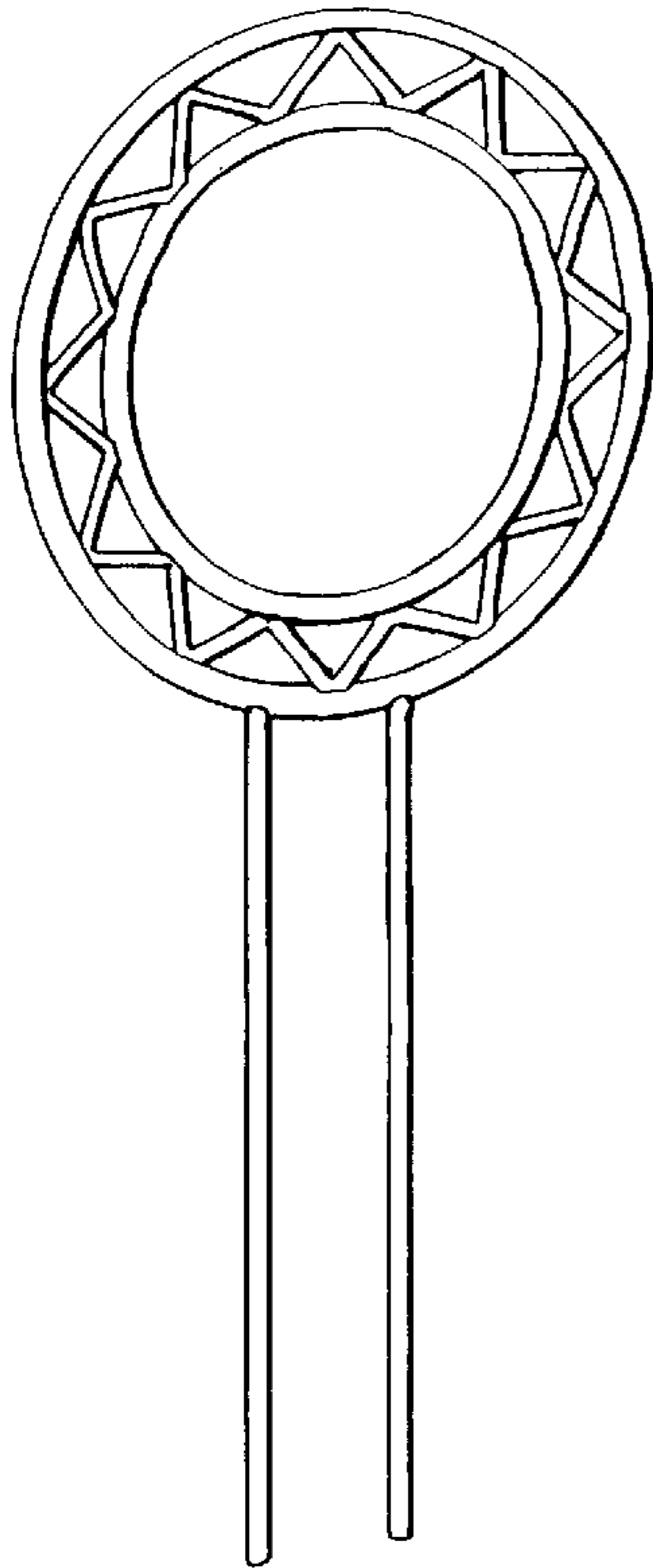


FIG 6

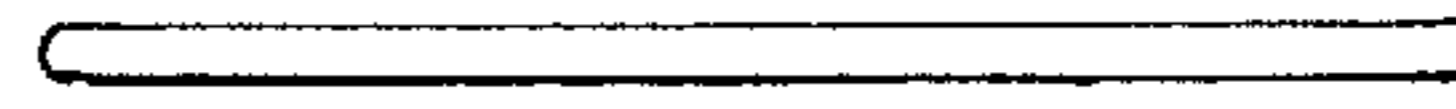


FIG 7

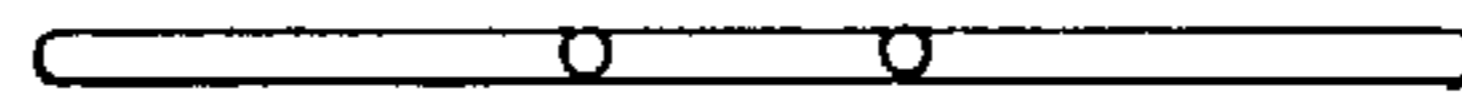


FIG.2



FIG.3

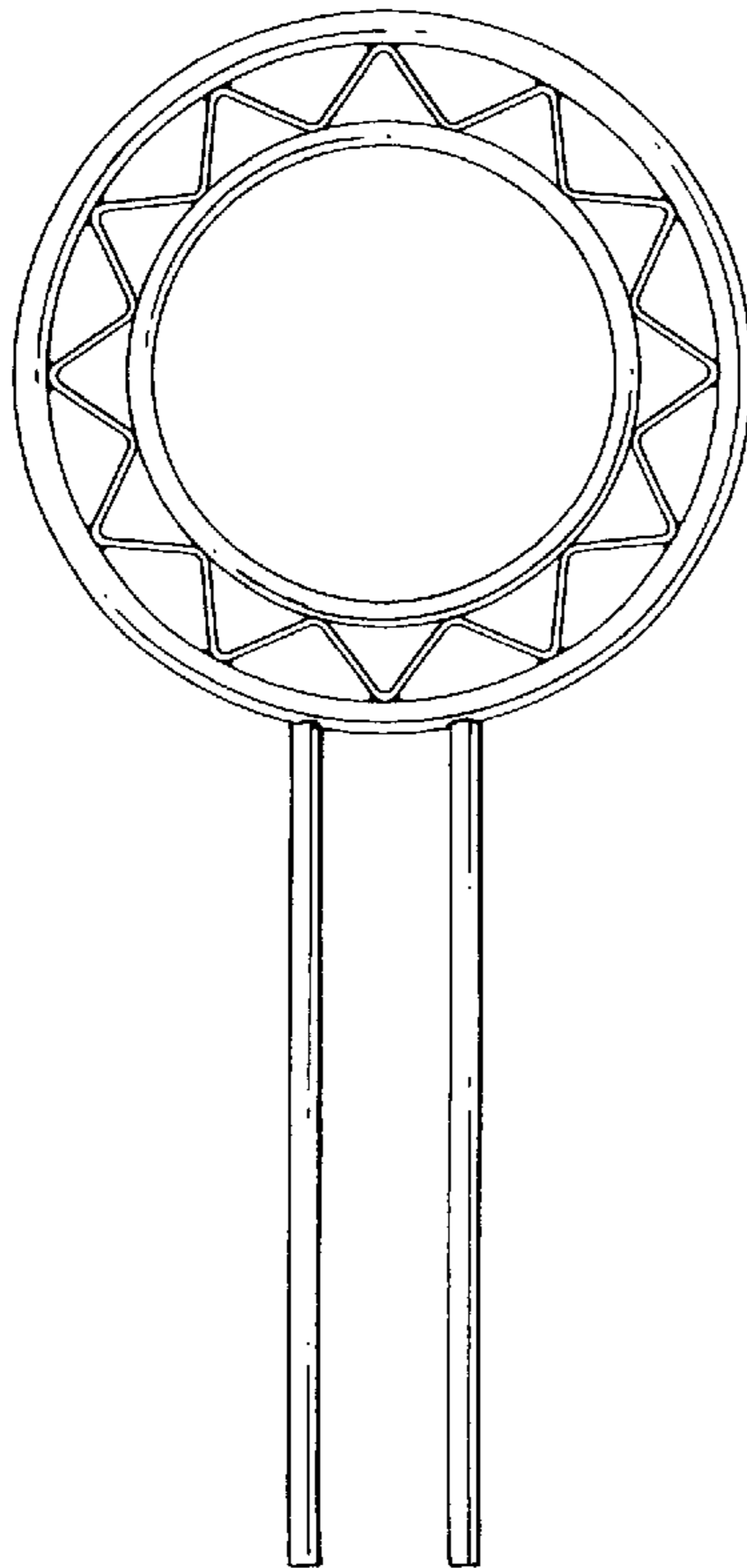


FIG.4



FIG.5

