



US00D436018S

(12) **United States Design Patent**  
**Boeshart**

(10) **Patent No.:** **US D436,018 S**

(45) **Date of Patent:** **\*\* Jan. 9, 2001**

(54) **TIE FOR REUSABLE CONCRETE FORMS**

4,938,449 7/1990 Boeshart ..... 249/216

4,949,515 \* 8/1990 Krecke ..... 52/105

5,039,058 8/1991 Boeshart ..... 249/194

(76) Inventor: **Patrick E. Boeshart**, P.O. Box 774,  
Sioux City, IA (US) 51102

(\*\*) Term: **14 Years**

\* cited by examiner

(21) Appl. No.: **29/115,050**

*Primary Examiner*—Holly Baynham  
(74) *Attorney, Agent, or Firm*—Koley Jessen P.C., A  
Limited Liability Organization; Mark D. Frederiksen

(22) Filed: **Dec. 7, 1999**

(57) **CLAIM**

(51) **LOC (7) Cl.** ..... **08-05**

The ornamental design for a tie for reusable concrete forms,  
as shown.

(52) **U.S. Cl.** ..... **D8/354**

(58) **Field of Search** ..... D8/354; 249/194,  
249/216, 41; 52/426, 309.12

**DESCRIPTION**

(56) **References Cited**

FIG. 1 is a perspective view of the tie showing my new  
design;

**U.S. PATENT DOCUMENTS**

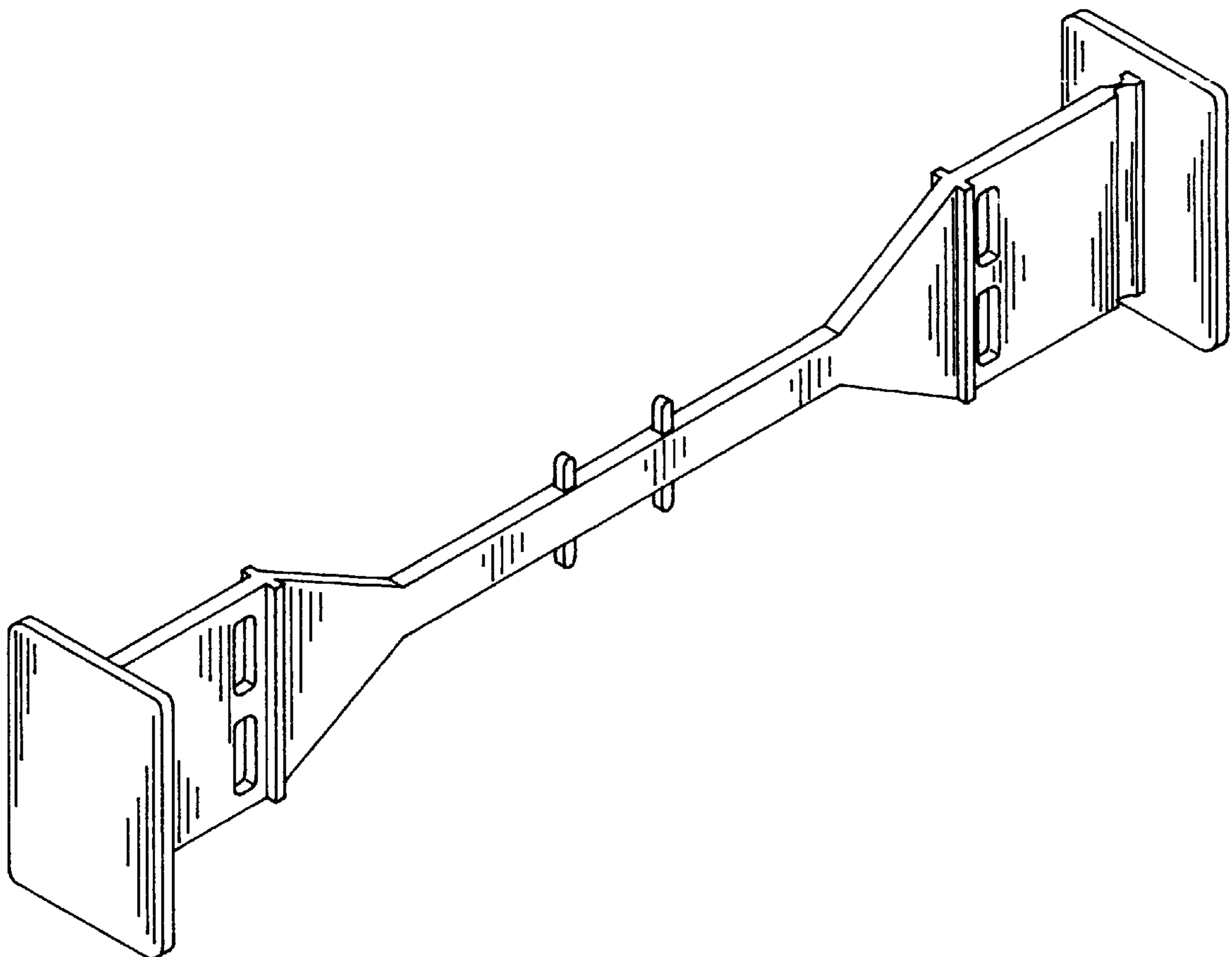
FIG. 2 is an end elevational view taken from the left end of  
the tie shown in FIG. 1, the right end elevational view being  
a mirror image thereof;

D. 361,710	8/1995	Boeshart	.....	D8/354
D. 378,049	2/1997	Boeshart	.....	D8/354
D. 383,373	9/1997	Boeshart	.....	D8/354
4,730,422	3/1988	Young	.....	52/309.12
4,731,968	3/1988	Obino	.....	52/309.12
4,765,109	8/1988	Boeshart	.....	52/426
4,889,310	12/1989	Boeshart	.....	249/41
4,936,540	6/1990	Boeshart	.....	249/216

FIG. 3 is a front elevational view thereof, the rear elevational  
view being a mirror image thereof; and,

FIG. 4 is a top plan view thereof, the bottom plan view being  
a mirror image thereof.

**1 Claim, 1 Drawing Sheet**



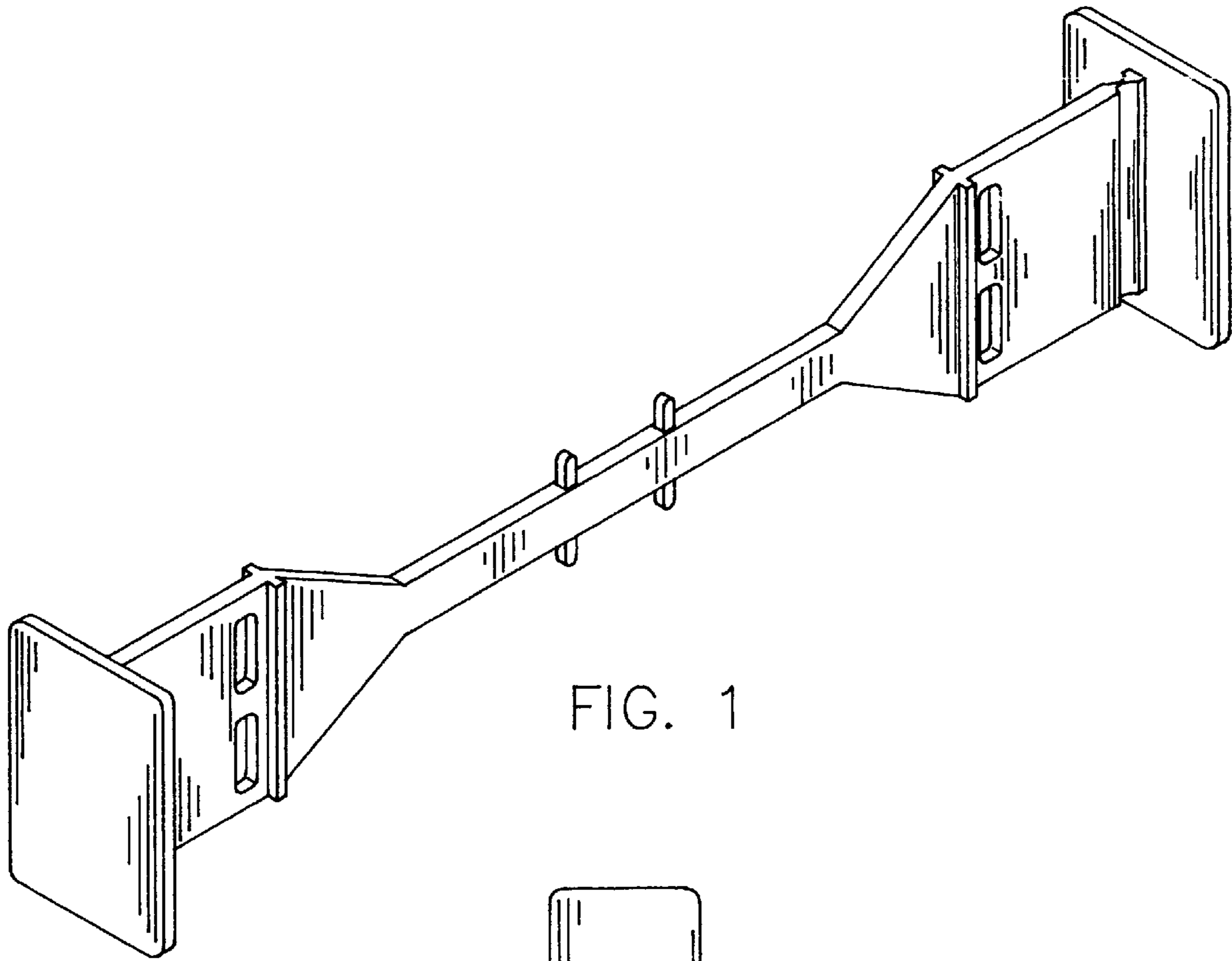


FIG. 1

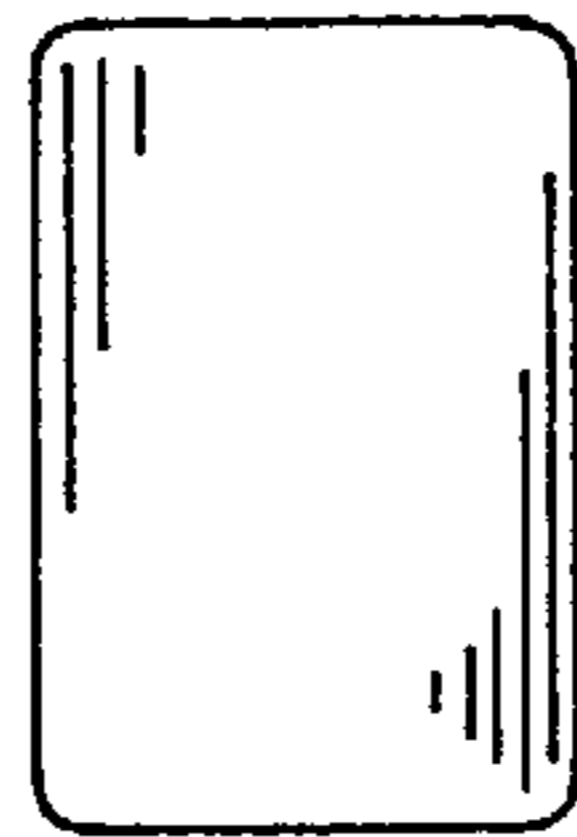


FIG. 2

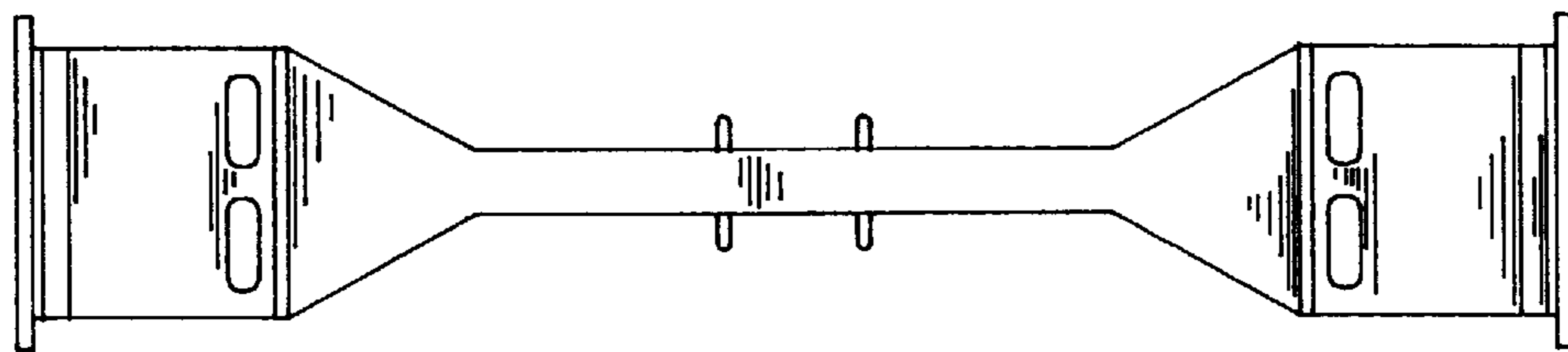


FIG. 3

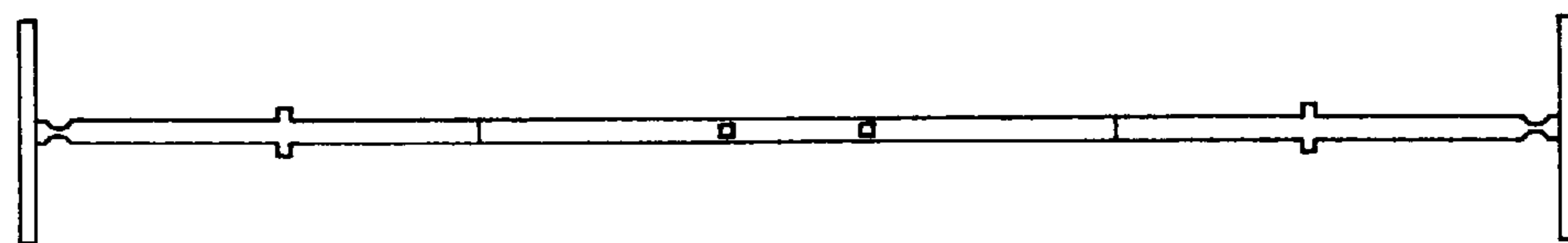


FIG. 4