



US00D436017S

(12) **United States Design Patent**
Hays

(10) **Patent No.:** **US D436,017 S**

(45) **Date of Patent:** **** Jan. 9, 2001**

(54) **MODULAR BUILDING SYSTEM PEAK CONNECTOR**

(76) **Inventor:** **Gary David Amos Hays**, 5220 S. 24th St., Fort Smith, AR (US) 72901

(**) **Term:** **14 Years**

(21) **Appl. No.:** **29/113,984**

(22) **Filed:** **Nov. 16, 1999**

Related U.S. Application Data

(63) Continuation of application No. 08/802,815, filed on Feb. 19, 1997, now Pat. No. 5,983,577.

(51) **LOC (7) Cl.** **08-05**

(52) **U.S. Cl.** **D8/354**

(58) **Field of Search** D8/354; 52/79.1, 52/696, 719, 715, 640, 641, 653.2, 655.1, 693

(56) **References Cited**

U.S. PATENT DOCUMENTS

| | | | | | | |
|-----------|---|---------|----------------|-------|---------|---|
| 5,577,353 | * | 11/1996 | Simpson | | 52/696 | X |
| 5,579,621 | * | 12/1996 | Fang | | 403/205 | X |
| 5,697,725 | * | 12/1997 | Ballash et al. | | 52/696 | X |

* cited by examiner

Primary Examiner—Holly Baynham

(74) *Attorney, Agent, or Firm*—Jerry L. Mahurin

(57) **CLAIM**

The ornamental design for a modular building system peak connector, as shown and described.

DESCRIPTION

FIG. 1 is a perspective environmental view of a modular building system peak connector;

FIG. 2 is a perspective environmental view of the modular building system peak connector in a steep pitch configuration;

FIG. 3 is an enlarged isometric view thereof;

FIG. 4 is a top plan view thereof;

FIG. 5 is a front elevational view thereof;

FIG. 6 is a rear elevational view thereof;

FIG. 7 is a bottom plan view thereof; and

FIG. 8 is an end elevational view thereof; and,

FIG. 9 is an opposite end elevational view.

The broken line showing of a rafter, column and fasteners in FIGS. 1 and 2 is for illustrative purposes only and forms no part of claimed design.

1 Claim, 3 Drawing Sheets

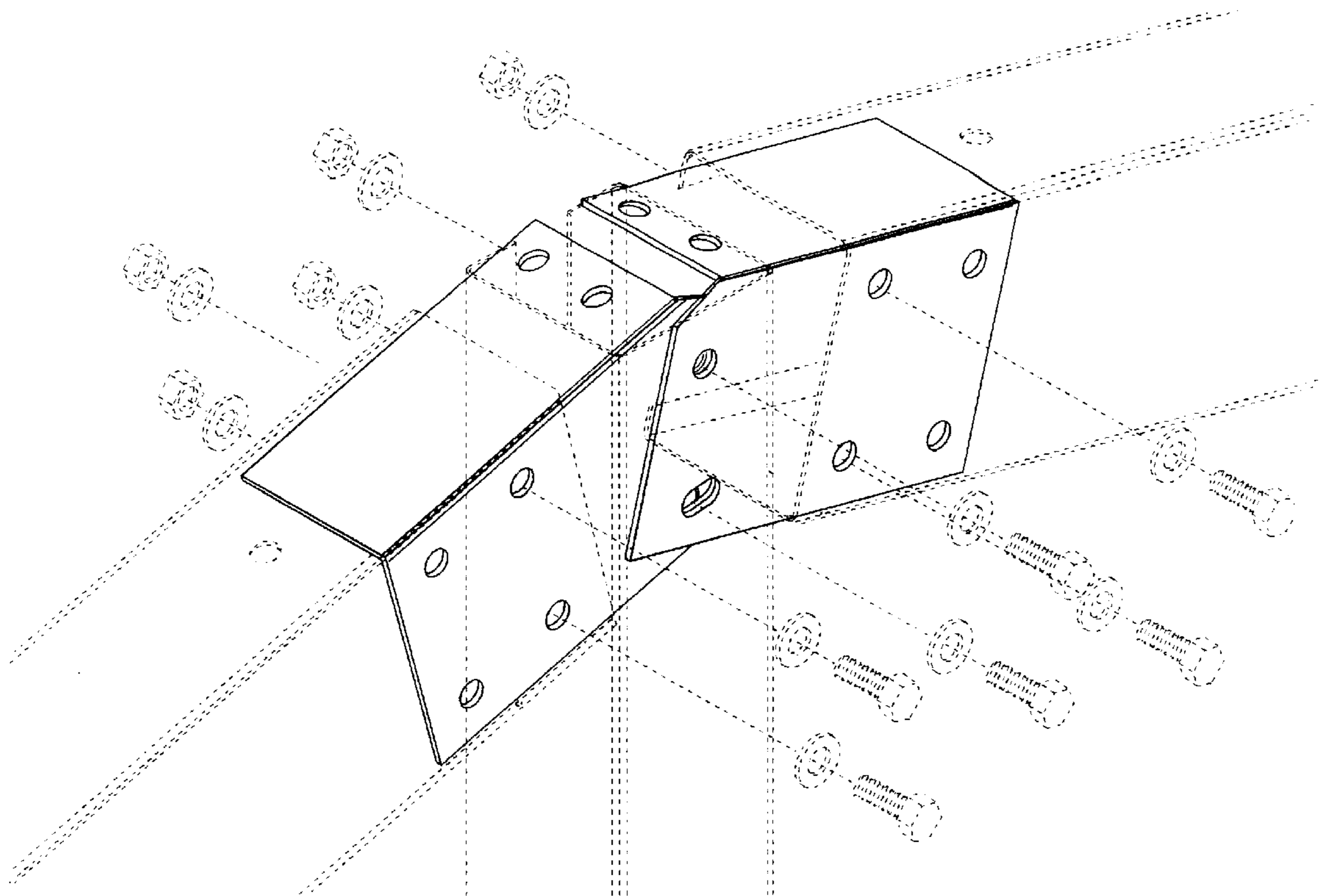


Fig. 1

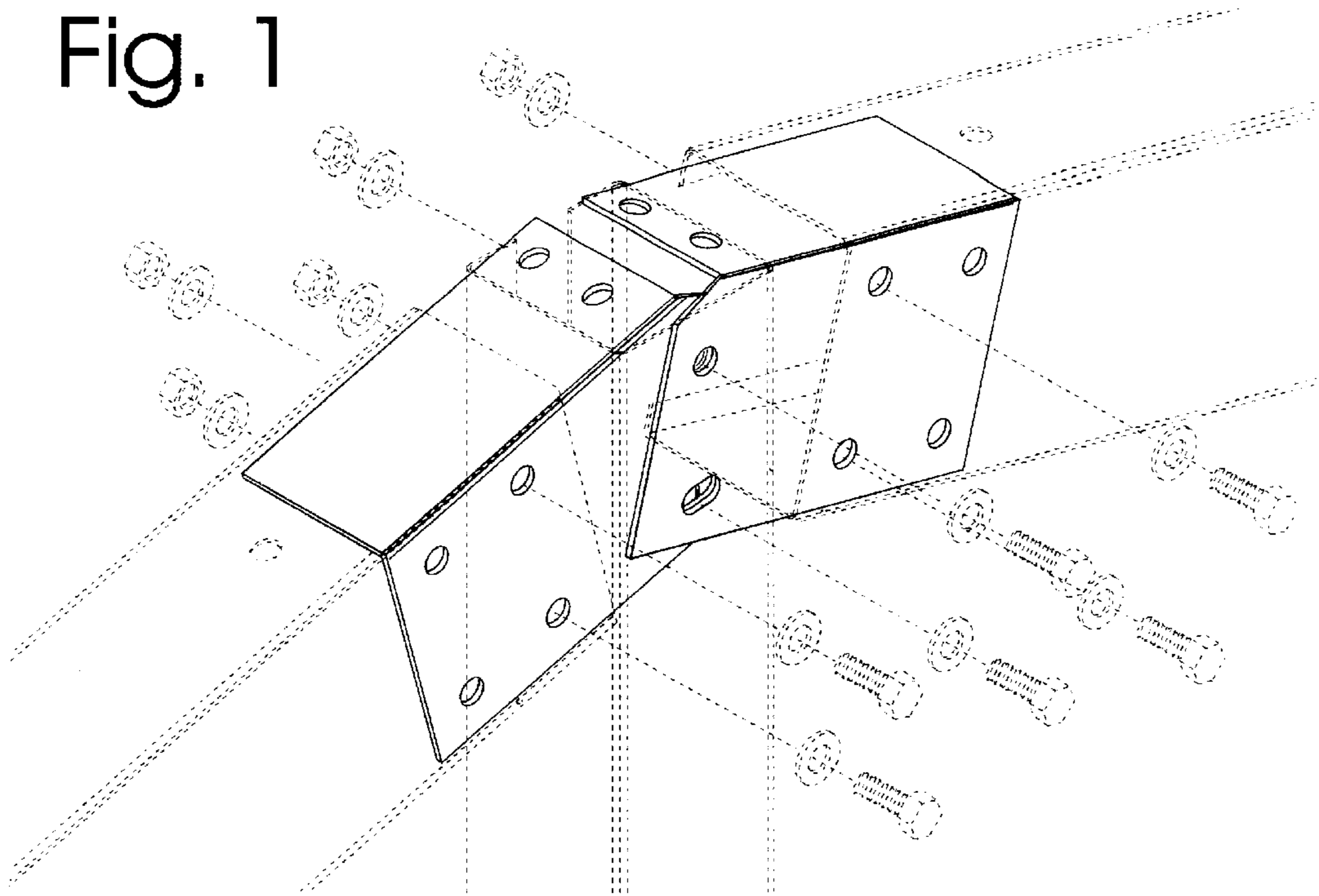
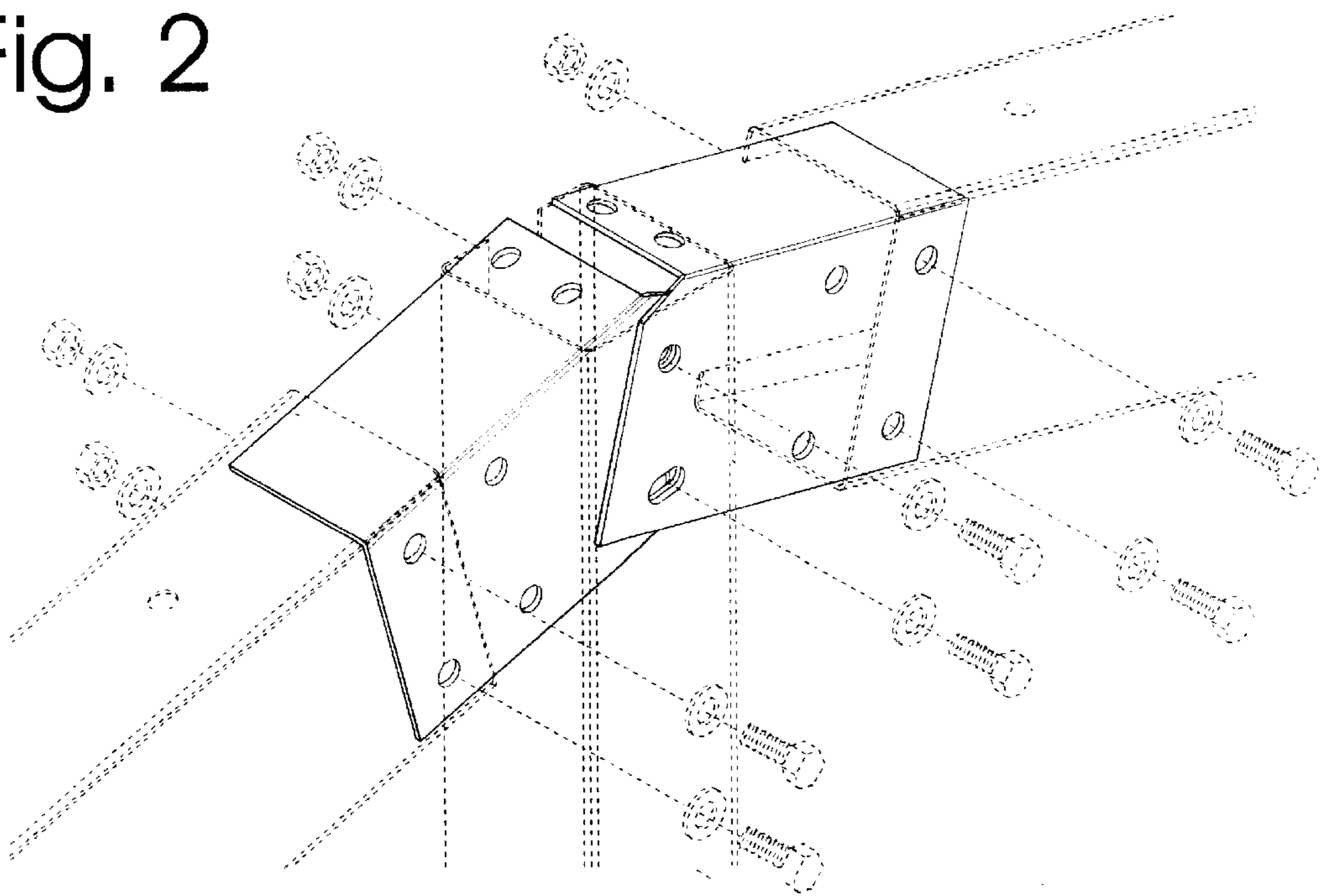


Fig. 2



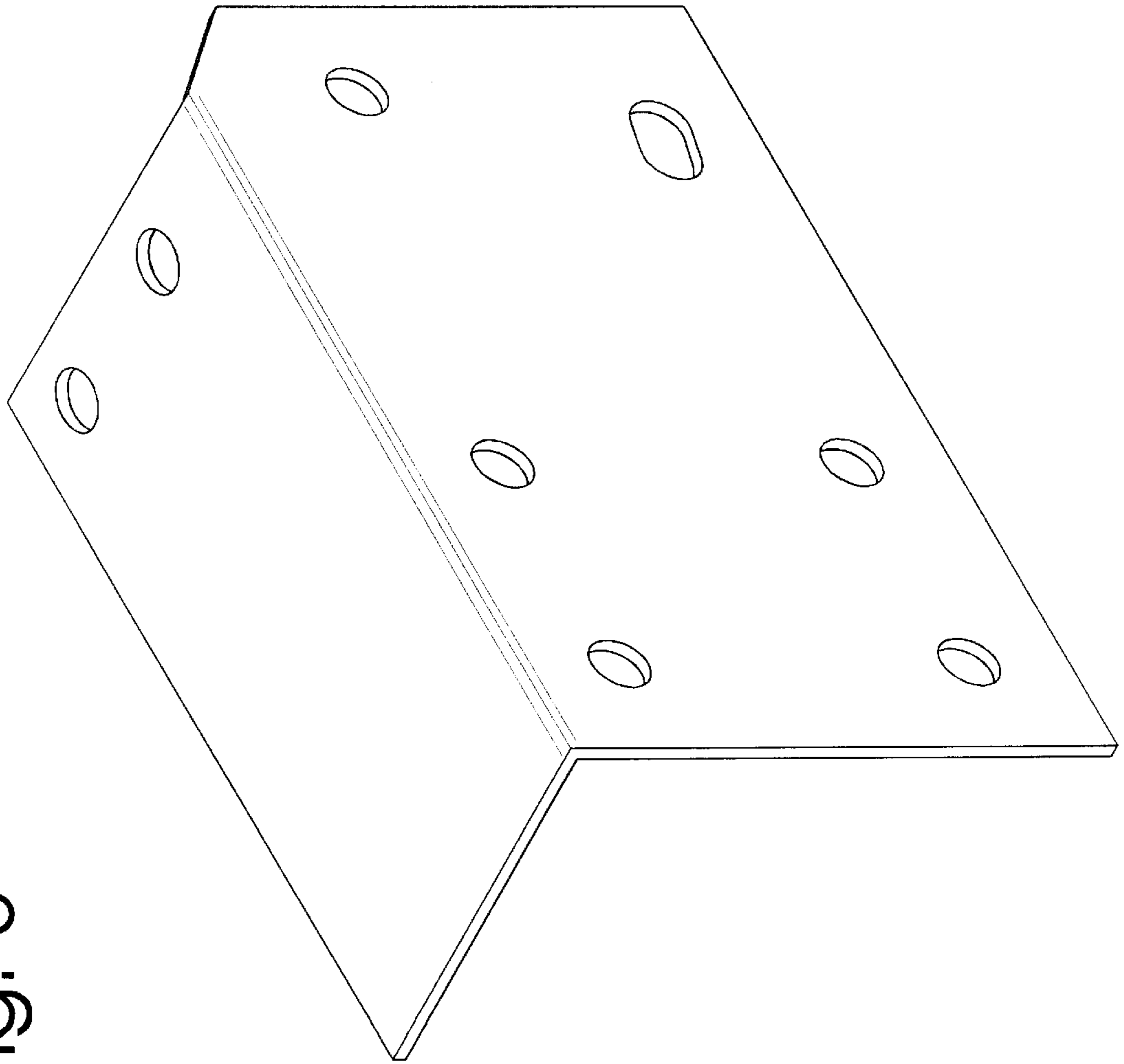


Fig. 3

Fig. 4

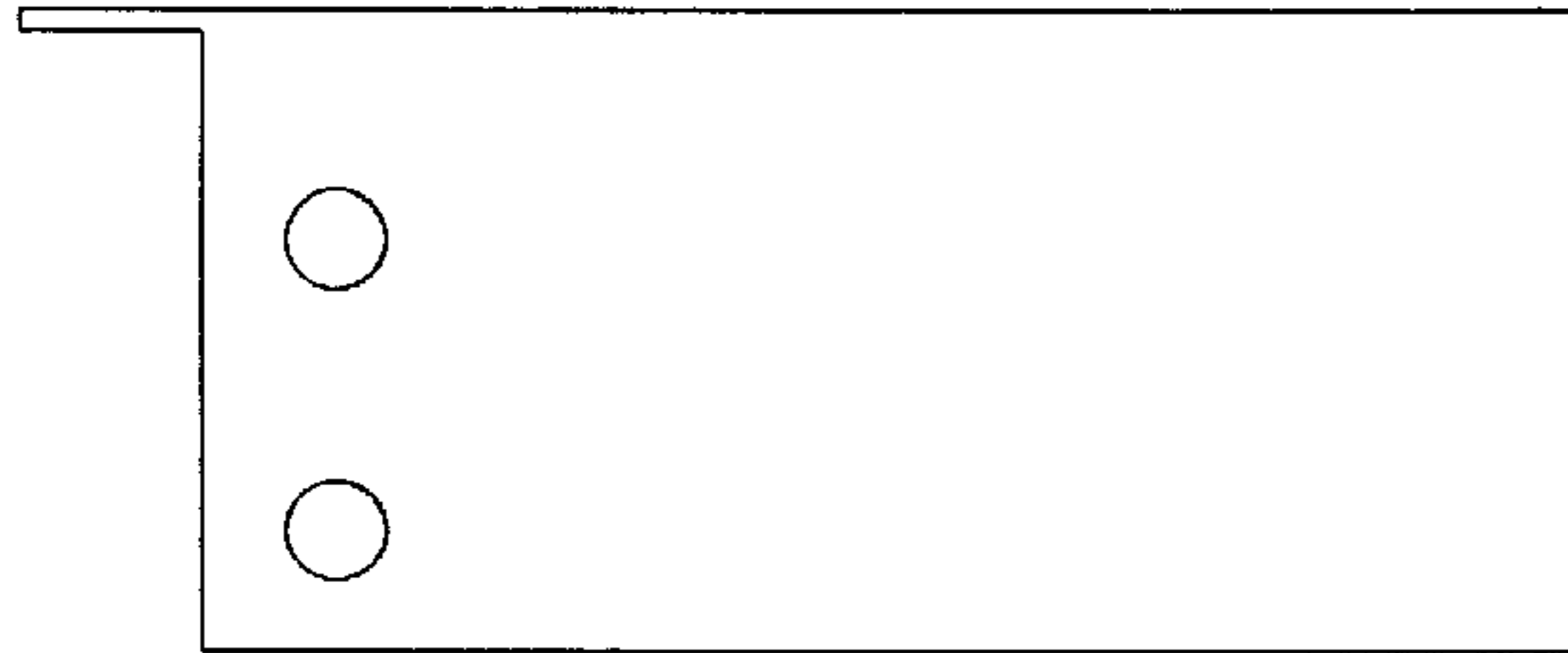


Fig. 5

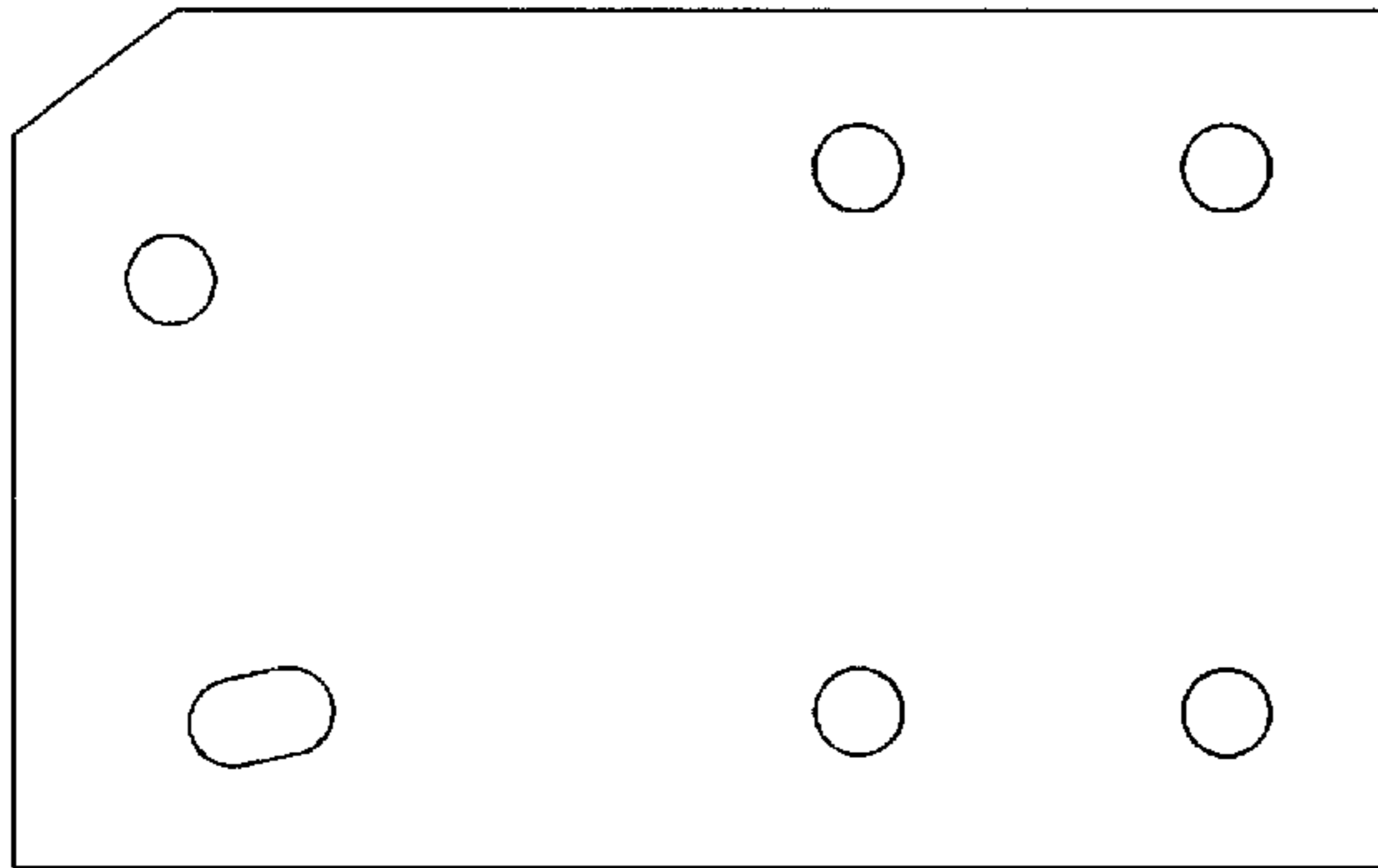


Fig. 8

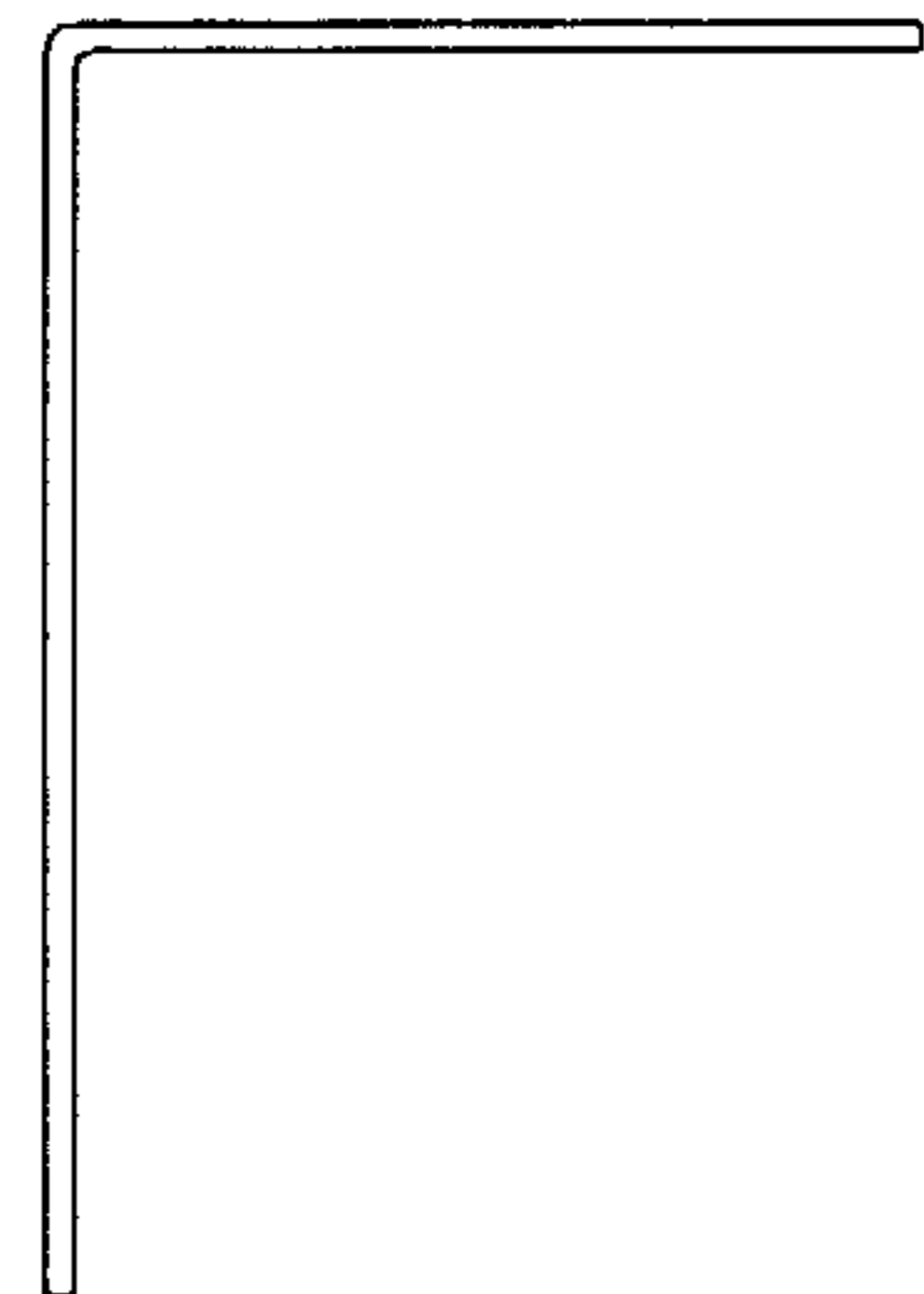


Fig. 6

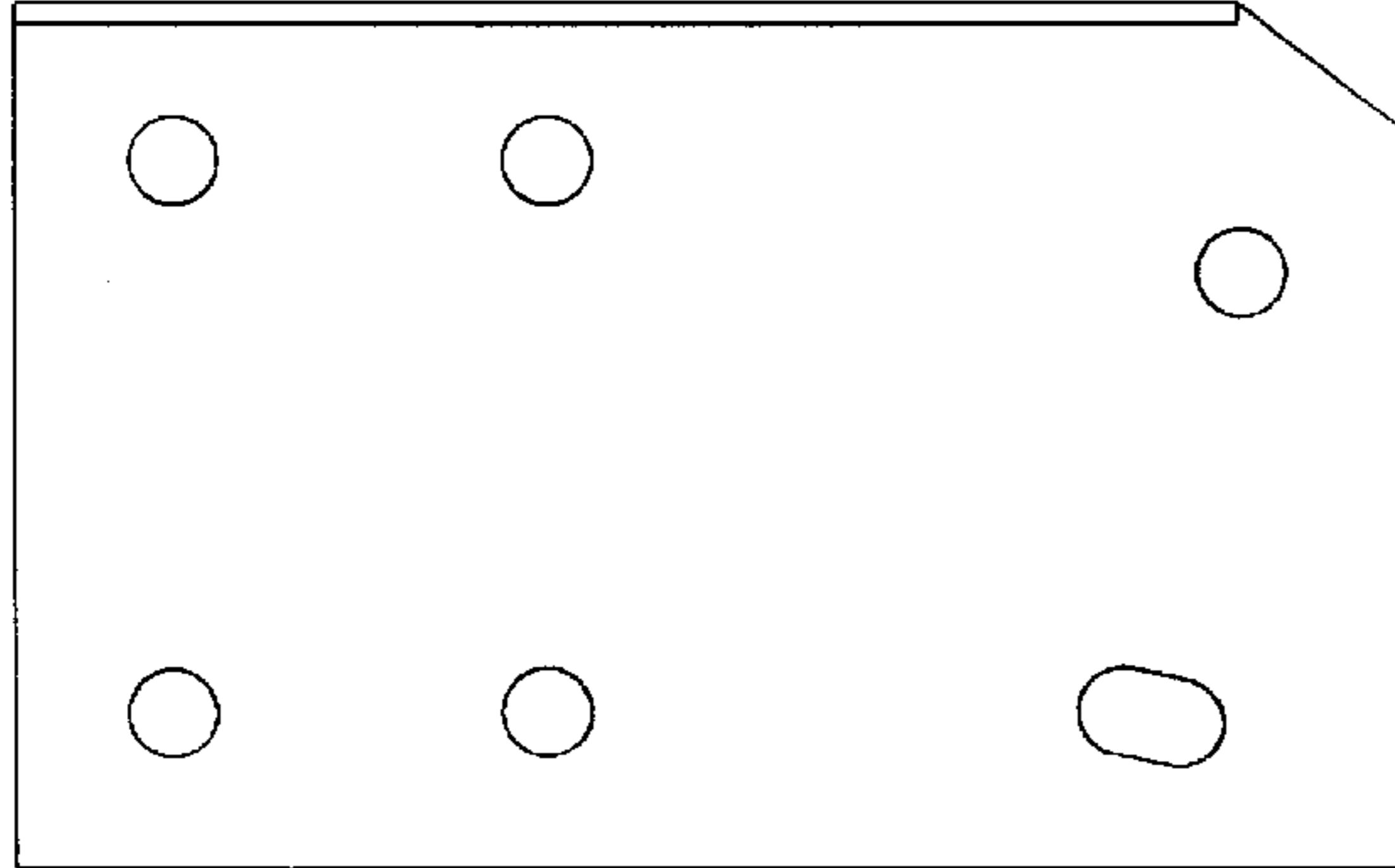


Fig. 9

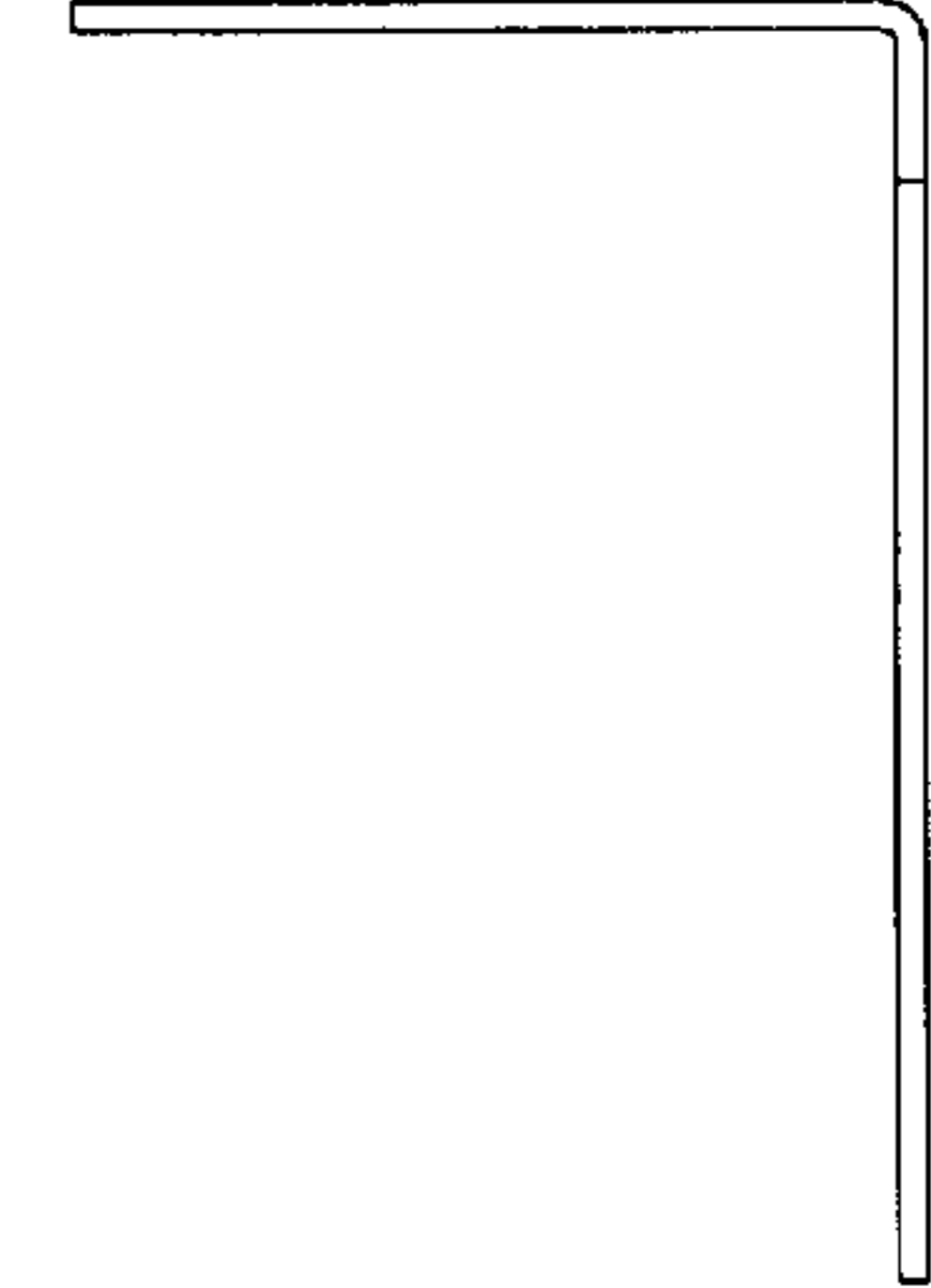


Fig. 7

