



US00D436007S

(12) **United States Design Patent**  
**Morford**

(10) **Patent No.:** **US D436,007 S**

(45) **Date of Patent:** **\*\* Jan. 9, 2001**

(54) **PESTICIDE DUST DISPENSING APPARATUS**

5,551,603 \* 9/1996 Woodruff ..... 222/325

(76) Inventor: **Marvin Morford**, 1815 Ashworth Rd.,  
West Des Moines, IA (US) 50265

\* cited by examiner

(\*\*) Term: **14 Years**

*Primary Examiner*—Sandra L. Morris  
(74) *Attorney, Agent, or Firm*—G. Brian Pingel

(21) Appl. No.: **29/104,013**

(57) **CLAIM**

(22) Filed: **Apr. 27, 1999**

The ornamental design for a pesticide dust dispensing apparatus, as shown and described.

(51) **LOC (7) Cl.** ..... **08-01**

**DESCRIPTION**

(52) **U.S. Cl.** ..... **D8/2; D15/13**

(58) **Field of Search** ..... D8/1, 2; D15/13;  
222/227, 238, 325; 239/654, 655; 406/98

FIG. 1 is a front side perspective view of a pesticide dust dispensing apparatus showing my new design;

FIG. 2 is an elevational view of the side opposite to that shown in FIG. 1;

FIG. 3 is a front elevational view thereof;

FIG. 4 is a rear elevational view thereof; and,

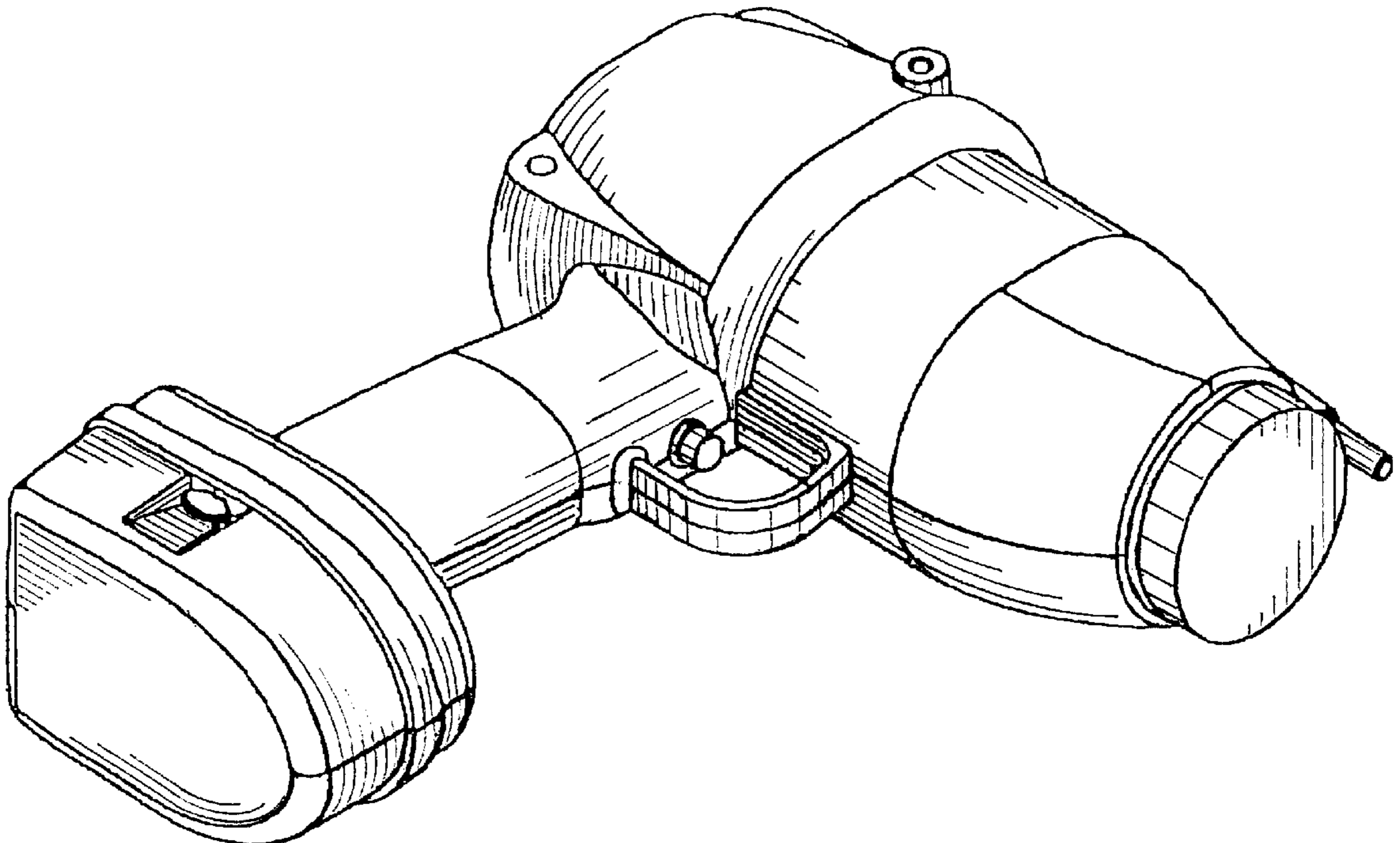
FIG. 5 is a top plan view thereof.

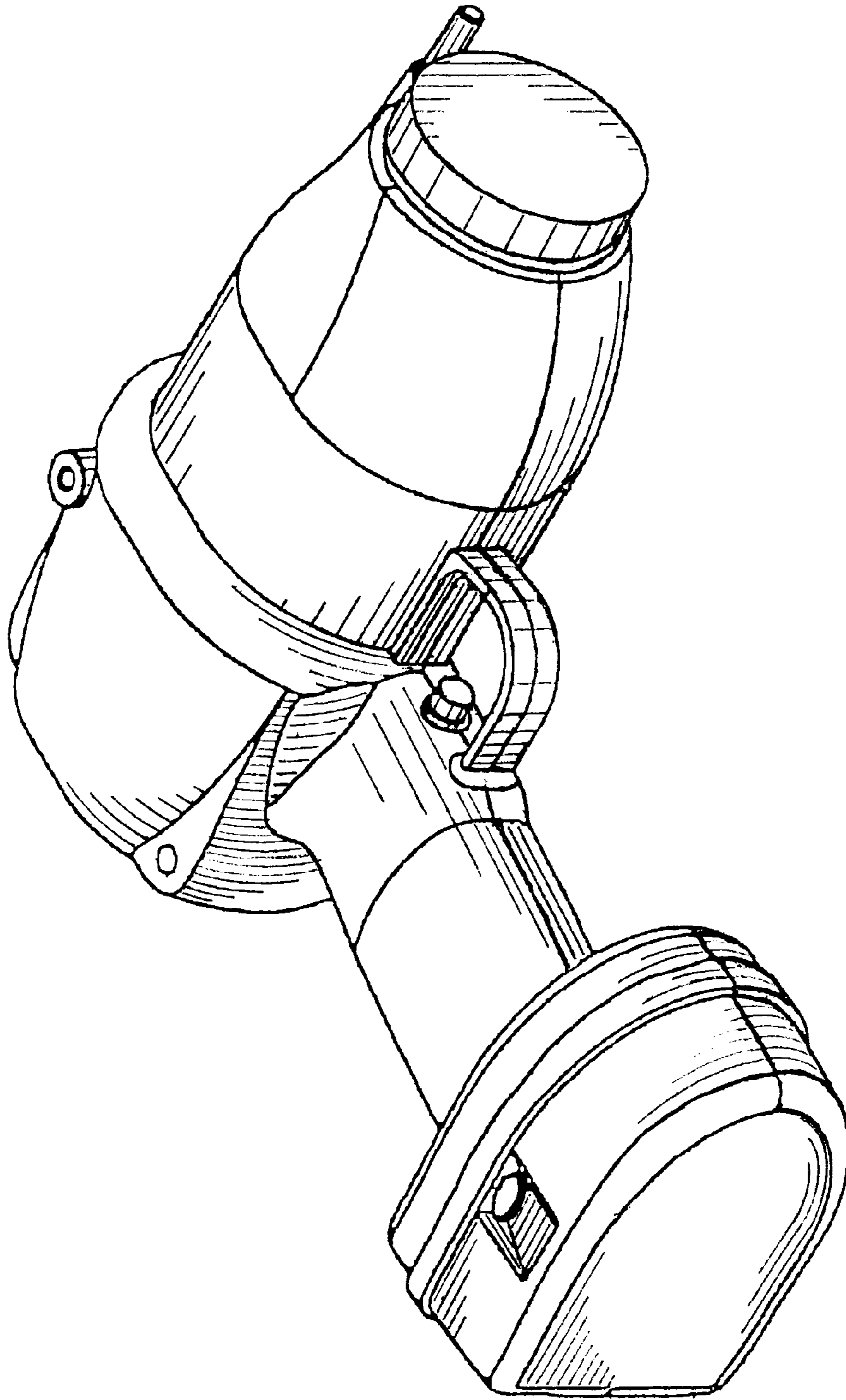
(56) **References Cited**

**U.S. PATENT DOCUMENTS**

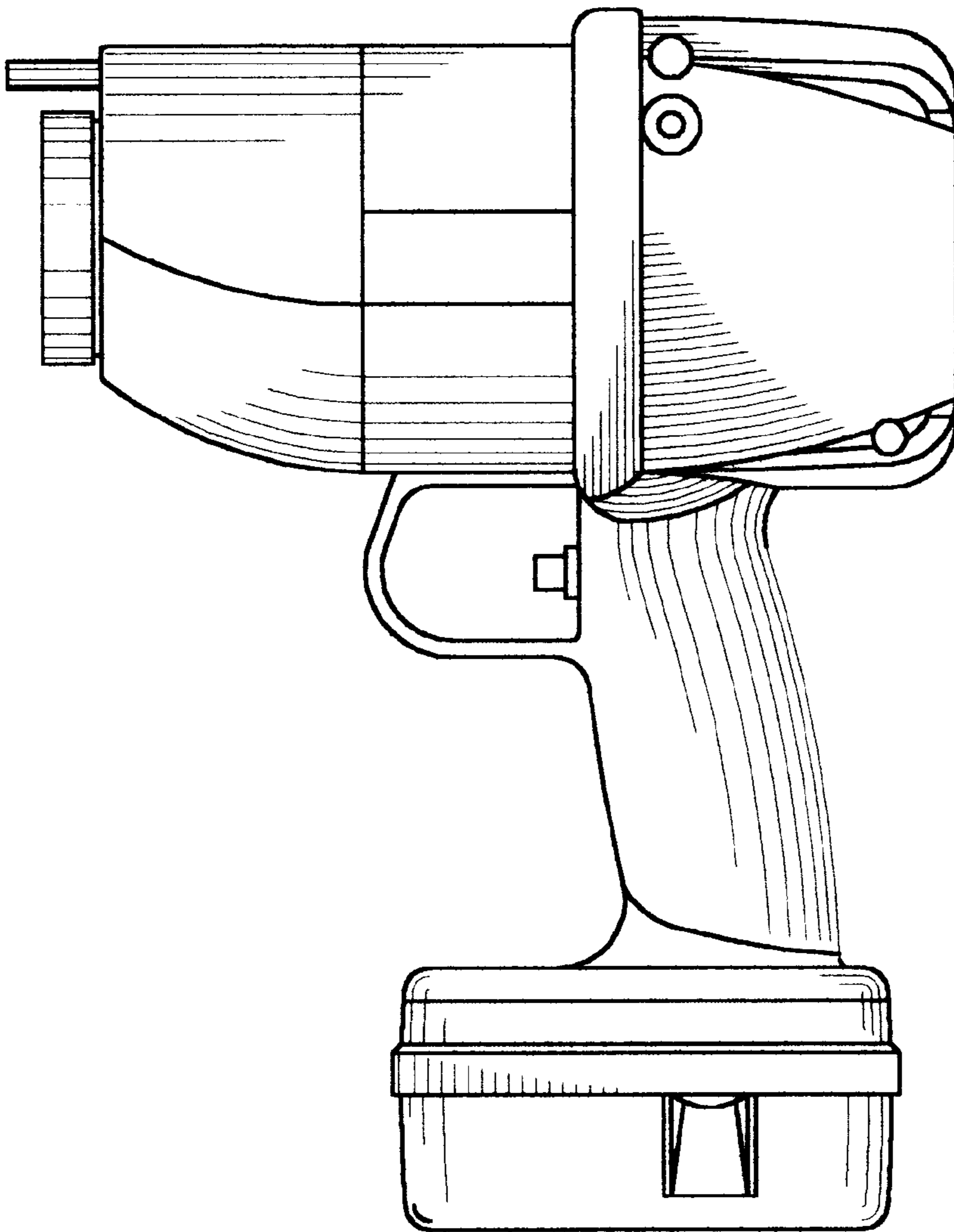
- D. 181,095 \* 10/1957 Geary .
- D. 182,274 \* 3/1958 Cragg .
- D. 327,823 \* 7/1992 Demarest ..... D8/2
- 4,140,280 \* 2/1979 Allen et al. .... 239/654

**1 Claim, 5 Drawing Sheets**

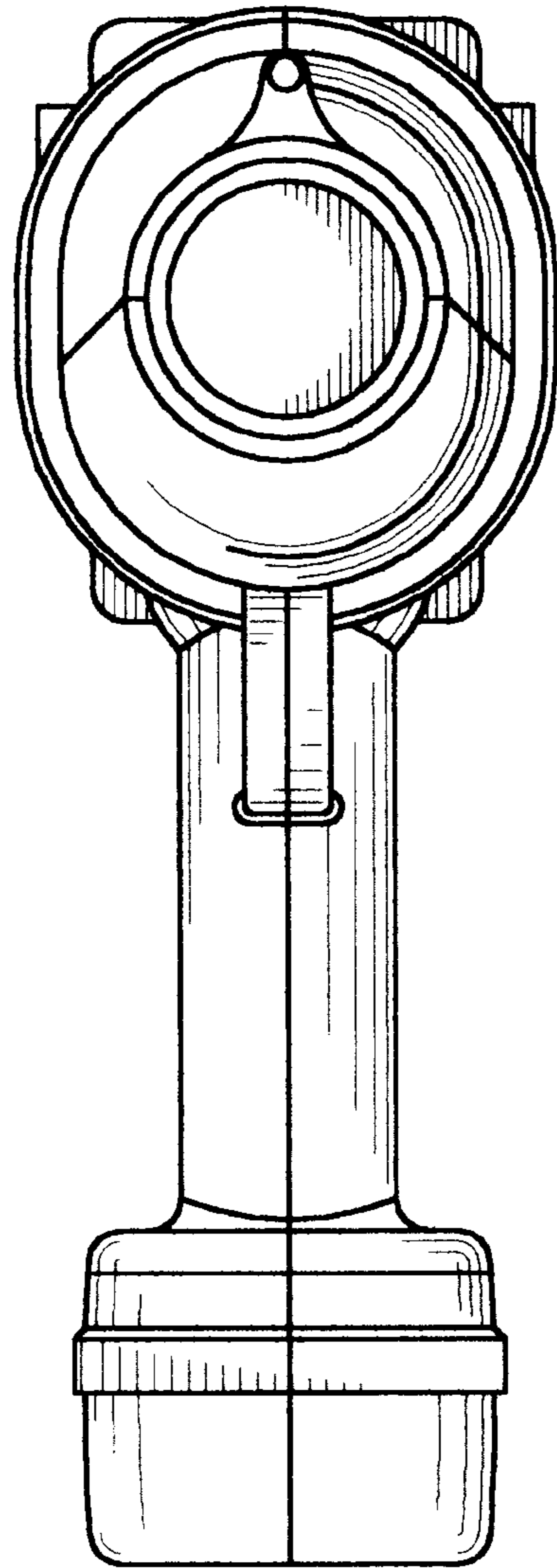




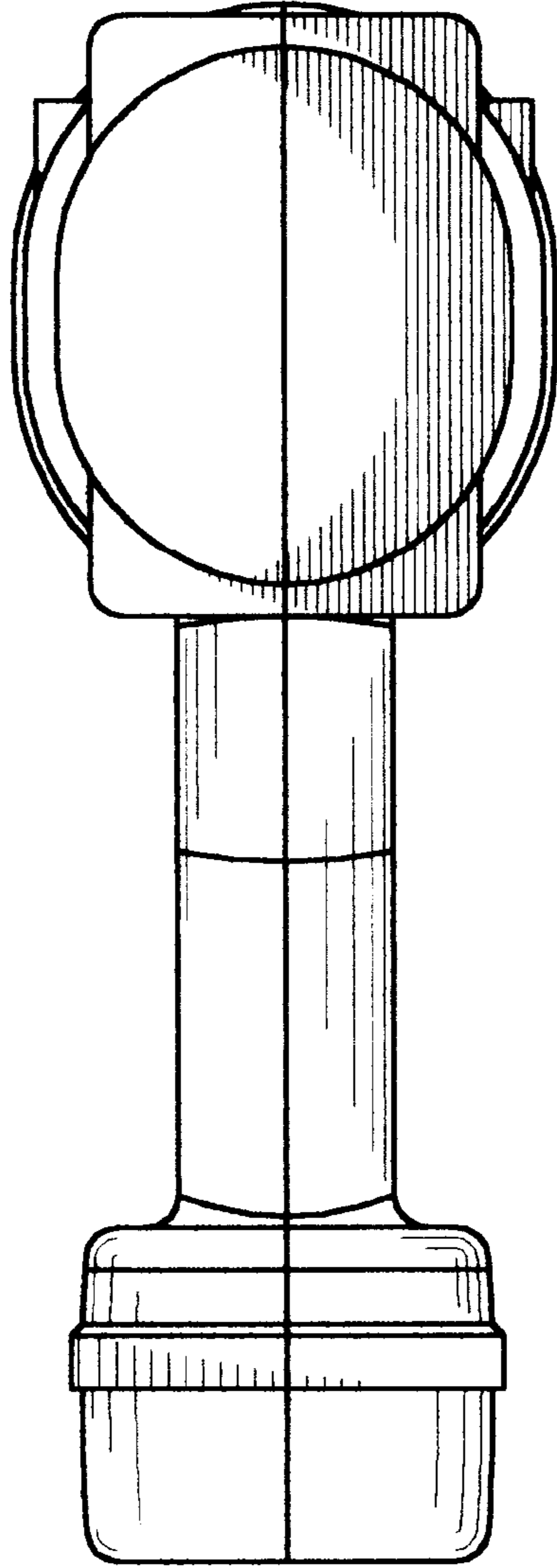
*FIG. 1*



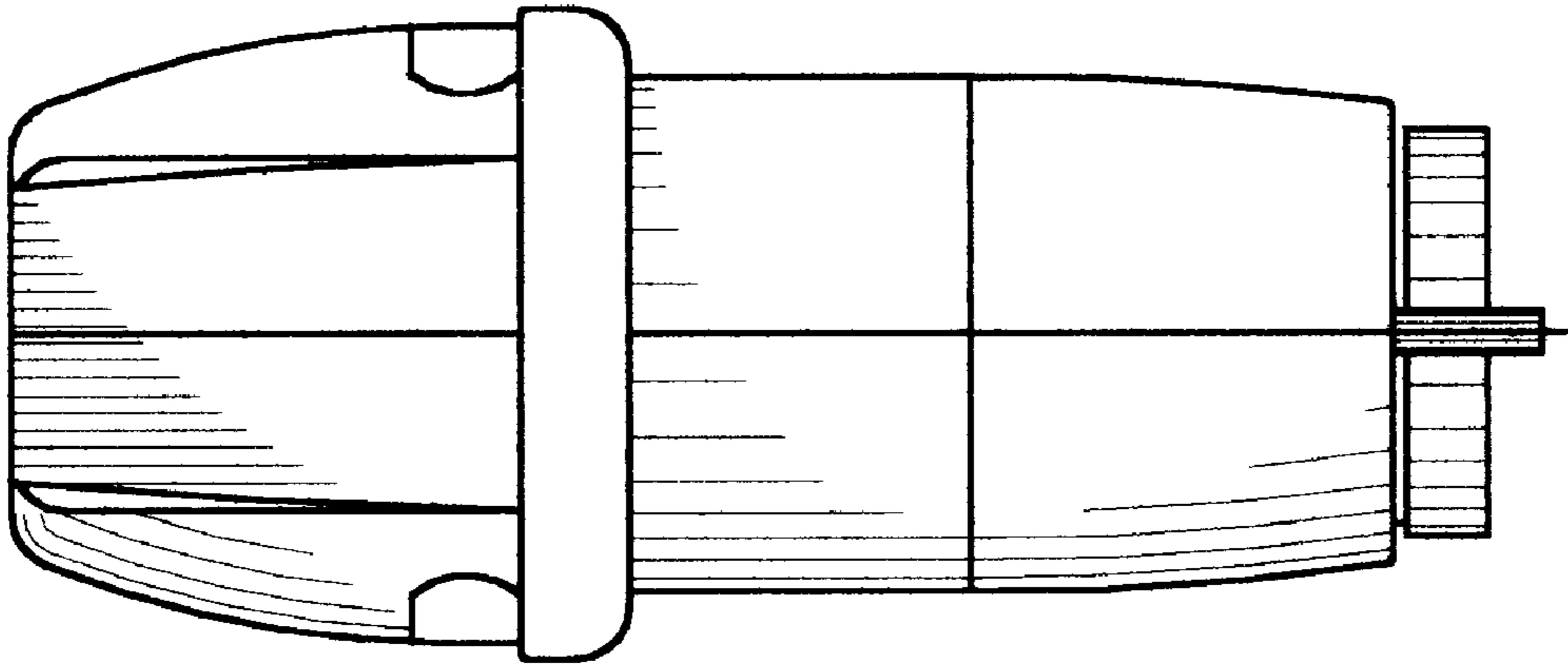
*FIG. 2*



*FIG. 3*



*FIG. 4*



*FIG. 5*