



US00D436001S

(12) **United States Design Patent**
Rae

(10) **Patent No.:** **US D436,001 S**

(45) **Date of Patent:** **** Jan. 9, 2001**

(54) **HANDLE FOR AN ARTICLE OF COOKWARE**

(75) Inventor: **Robert Allan Rae**, Hong Kong (HK)

(73) Assignee: **Meyer Manufacturing Company Limited** (HK)

(**) Term: **14 Years**

(21) Appl. No.: **29/117,259**

(22) Filed: **Jan. 13, 2000**

(51) **LOC (7) Cl.** **07-02**

(52) **U.S. Cl.** **D7/394**

(58) **Field of Search** D7/354-360, 393,
D7/394; D8/107; 16/110.1, 406, 430, 431,
DIG. 18, DIG. 19; 220/573.1, 752, 753

(56) **References Cited**

U.S. PATENT DOCUMENTS

- D. 246,819 * 1/1978 Breger D7/542
- D. 374,373 * 10/1996 Ito D7/360
- D. 384,552 * 10/1997 Baumgarten D7/393

* cited by examiner

Primary Examiner—Caron D. Veynar

(74) *Attorney, Agent, or Firm*—Blakely Sokoloff Taylor & Zafman

(57) **CLAIM**

The ornamental design for handle for an article of cookware, as shown and described.

DESCRIPTION

FIG. 1 is a perspective view of handle for an article of cookware showing my new design;

FIG. 2 is an enlarged perspective view thereof;

FIG. 3 is a top plan view thereof;

FIG. 4 is a right side elevational view thereof;

FIG. 5 is a bottom plan view thereof;

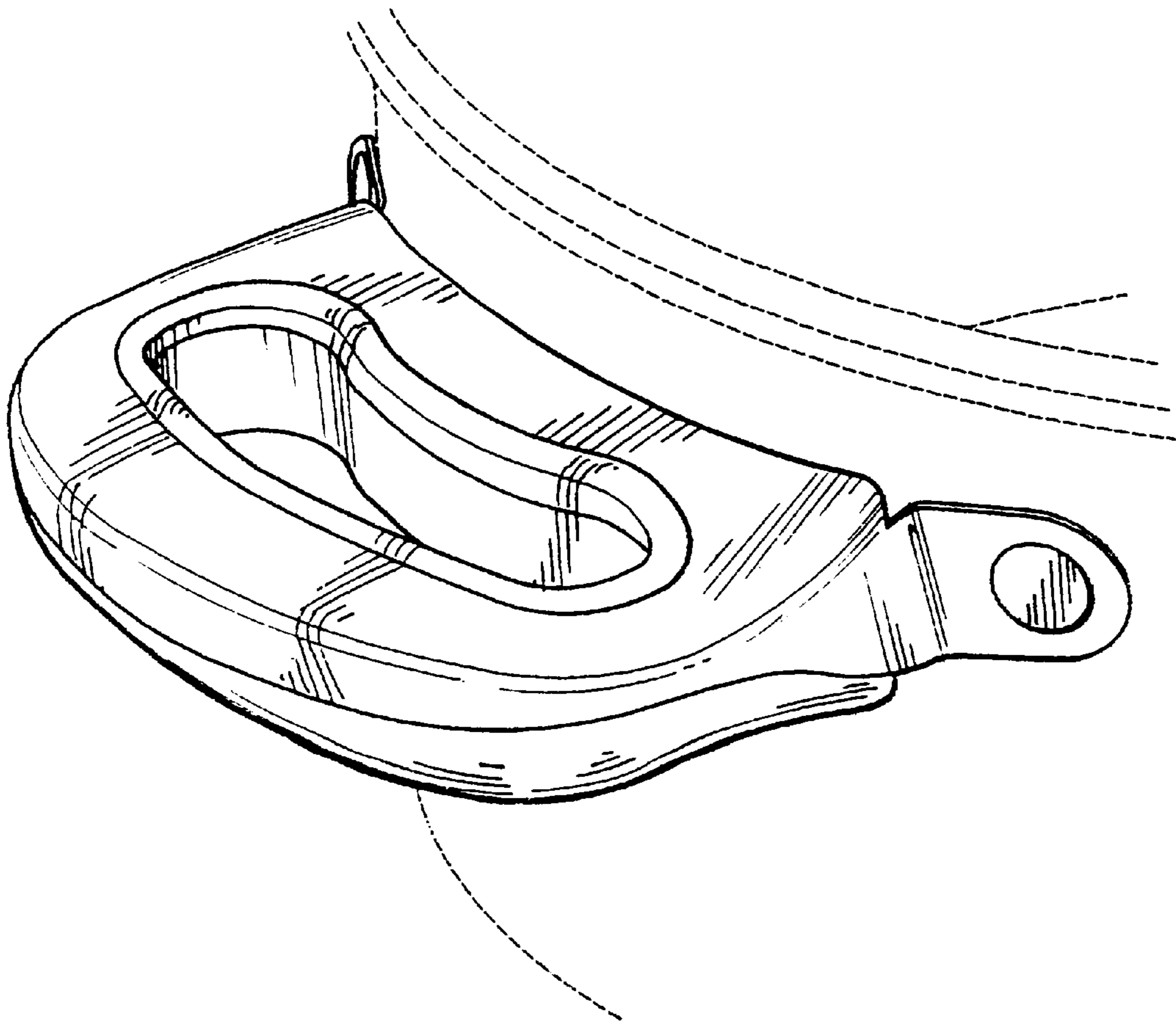
FIG. 6 is a left side elevational view thereof;

FIG. 7 is a rear elevational view thereof; and,

FIG. 8 is a front elevational view thereof.

The “article of cookware” shown in phantom lines depicts the environment of my new design and forms no part of the design of my invention.

1 Claim, 4 Drawing Sheets



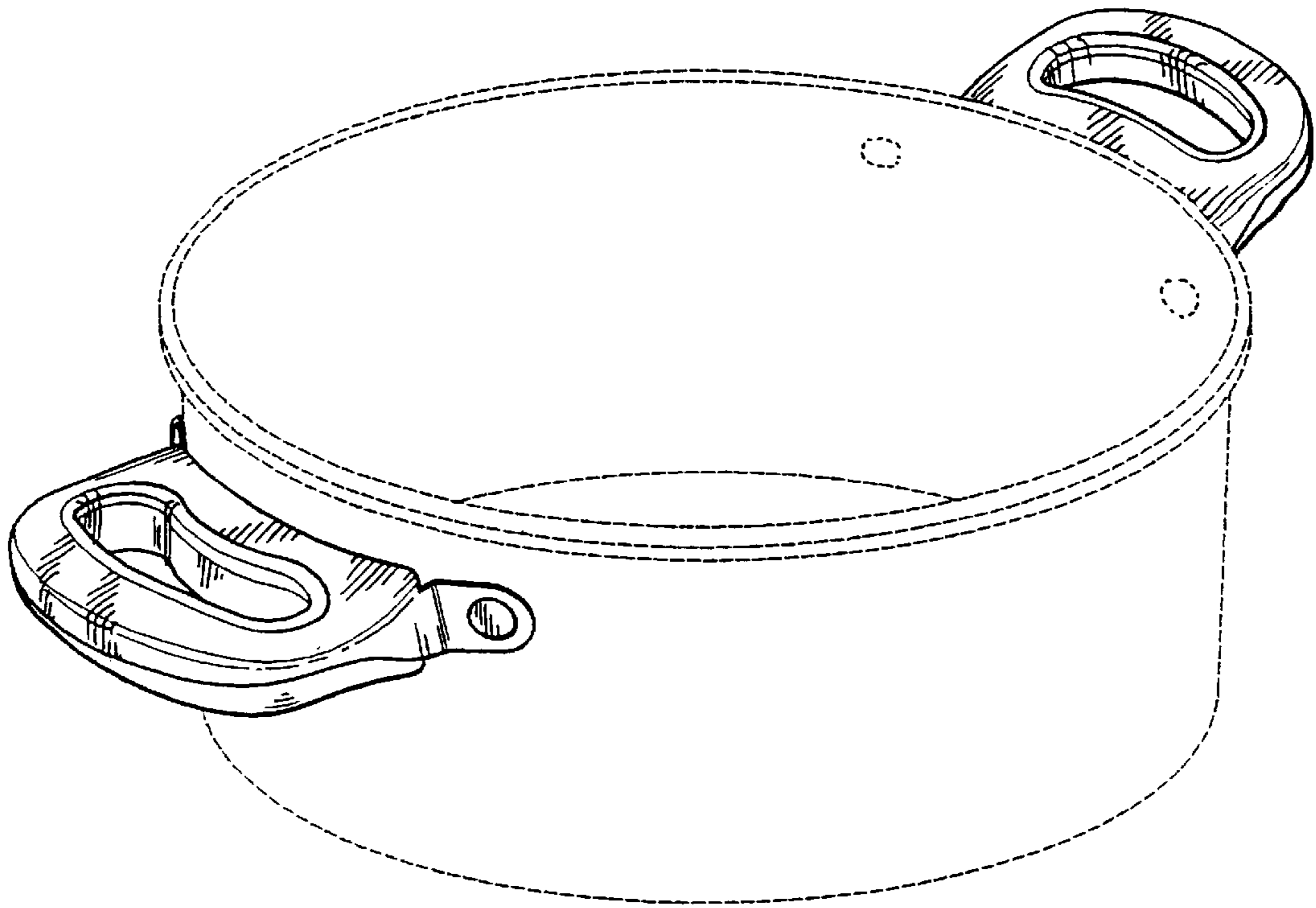


FIG. 1

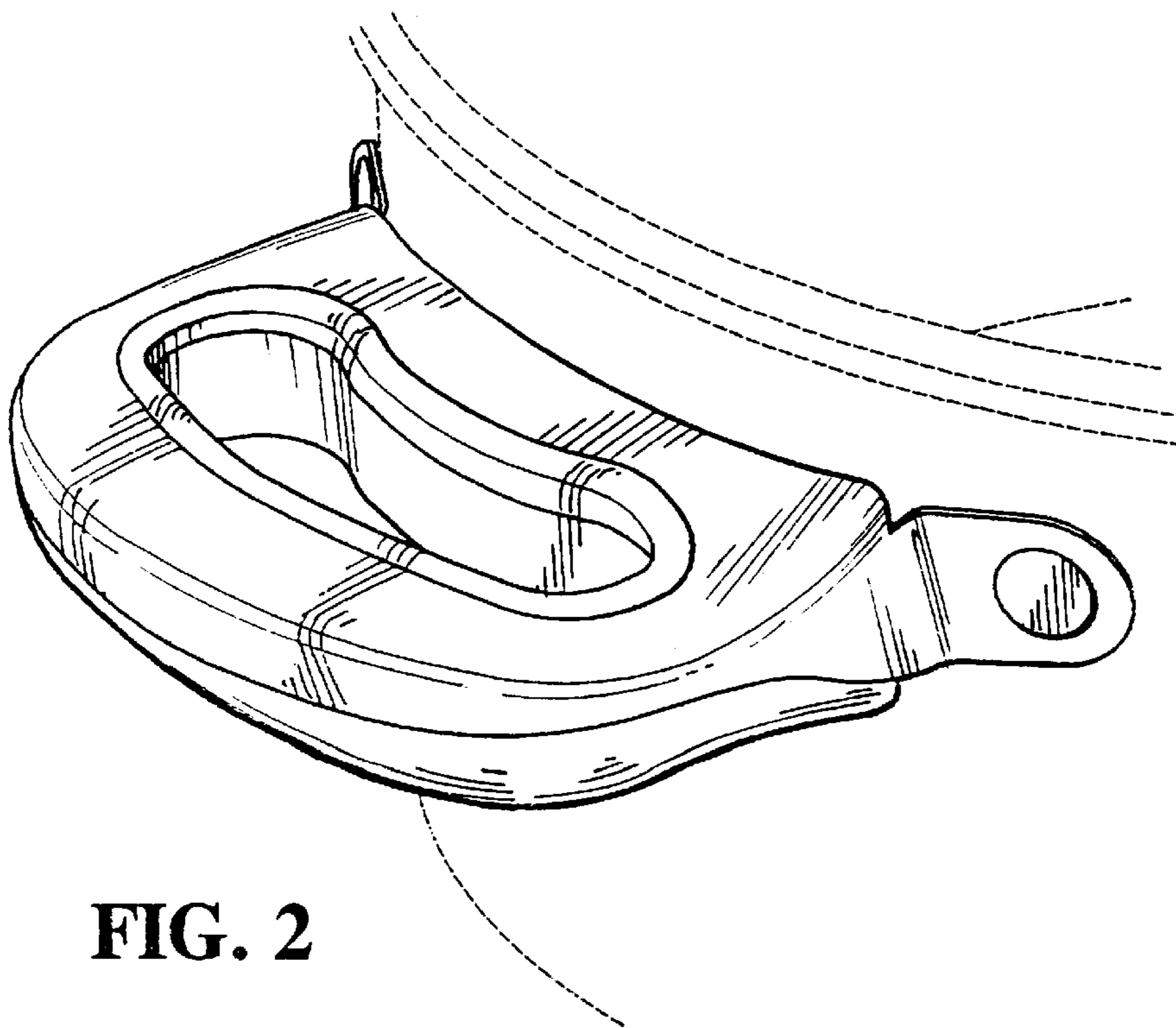


FIG. 2

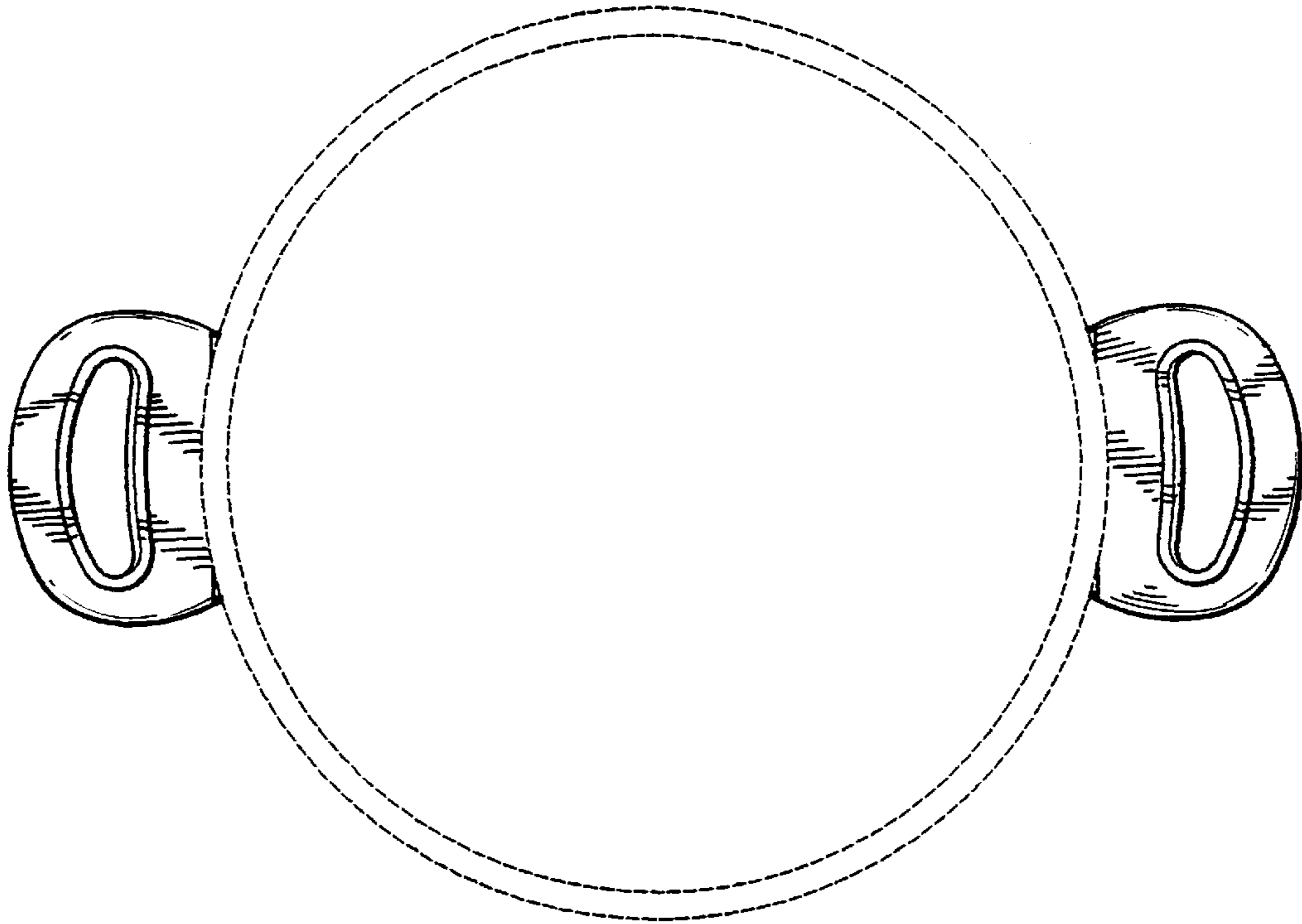


FIG. 3

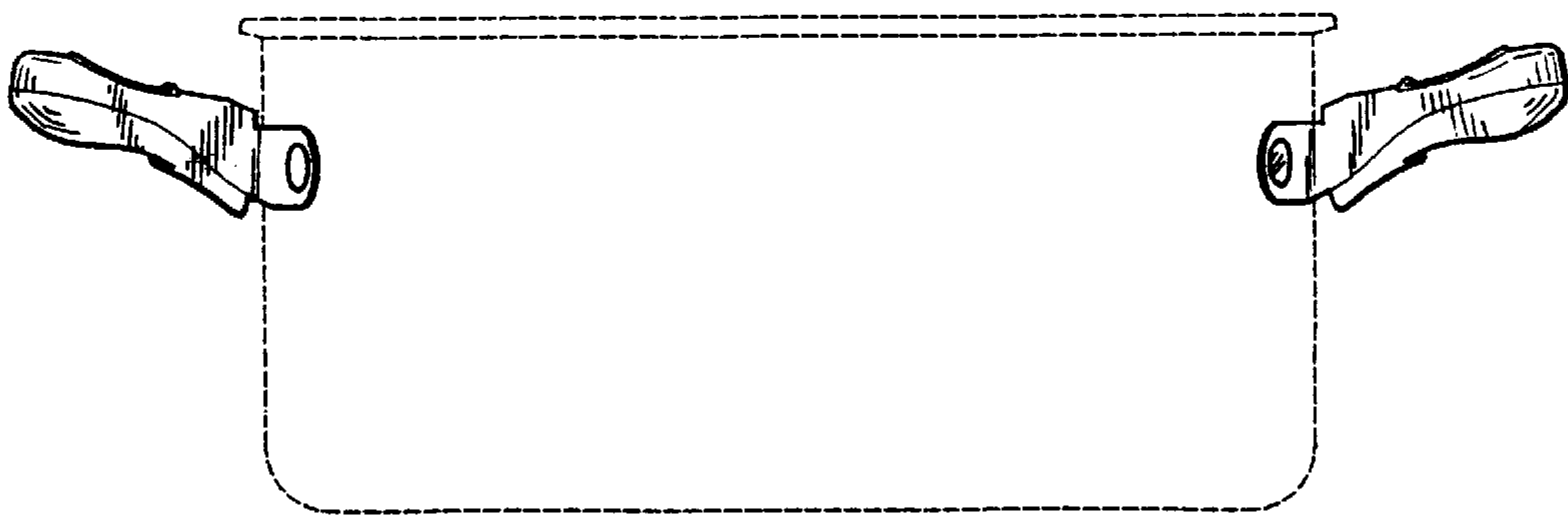


FIG. 4

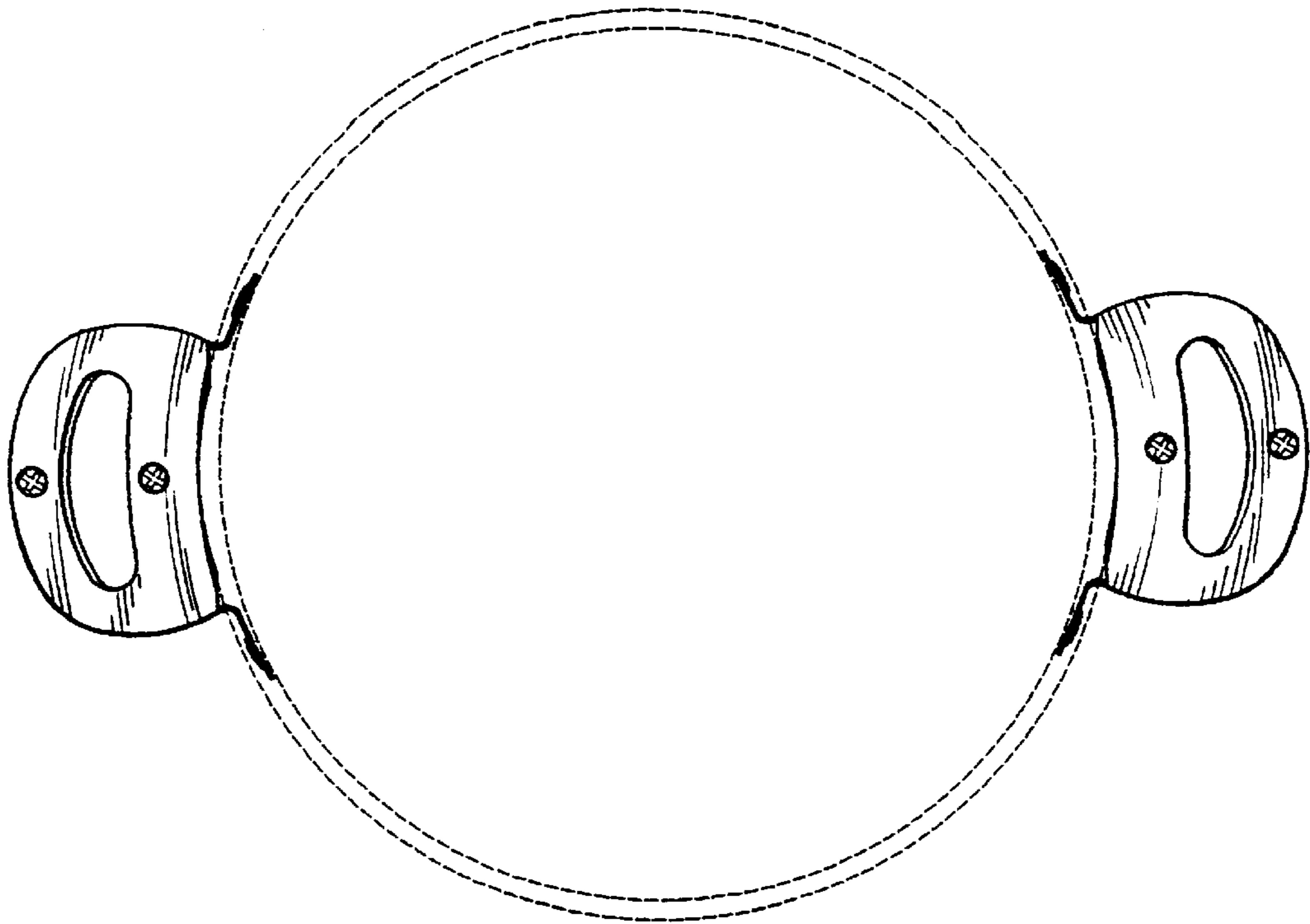


FIG. 5

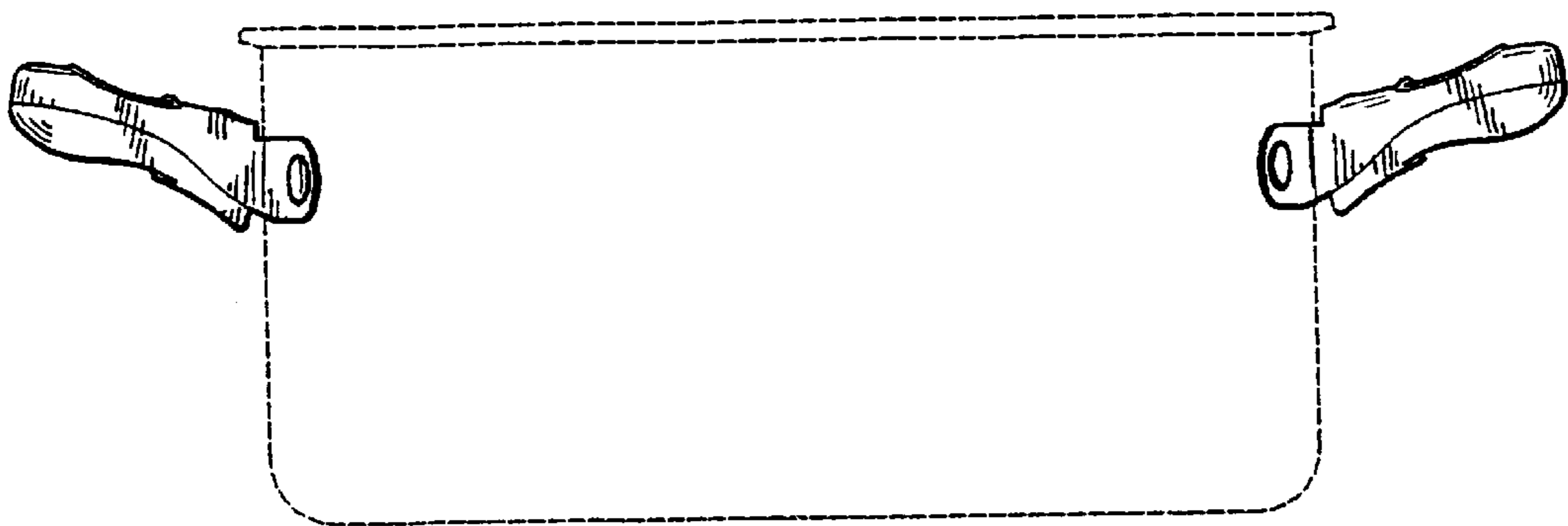


FIG. 6

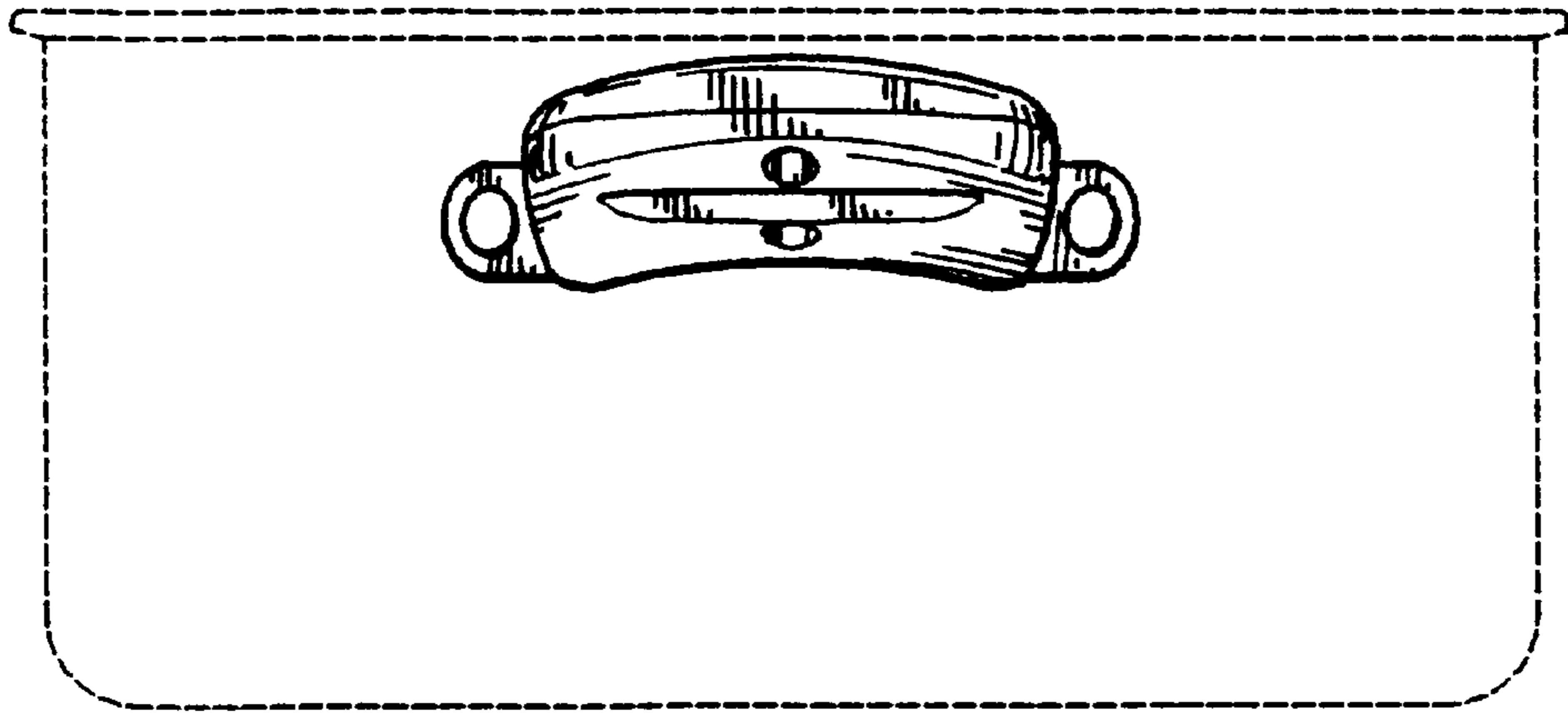


FIG. 7

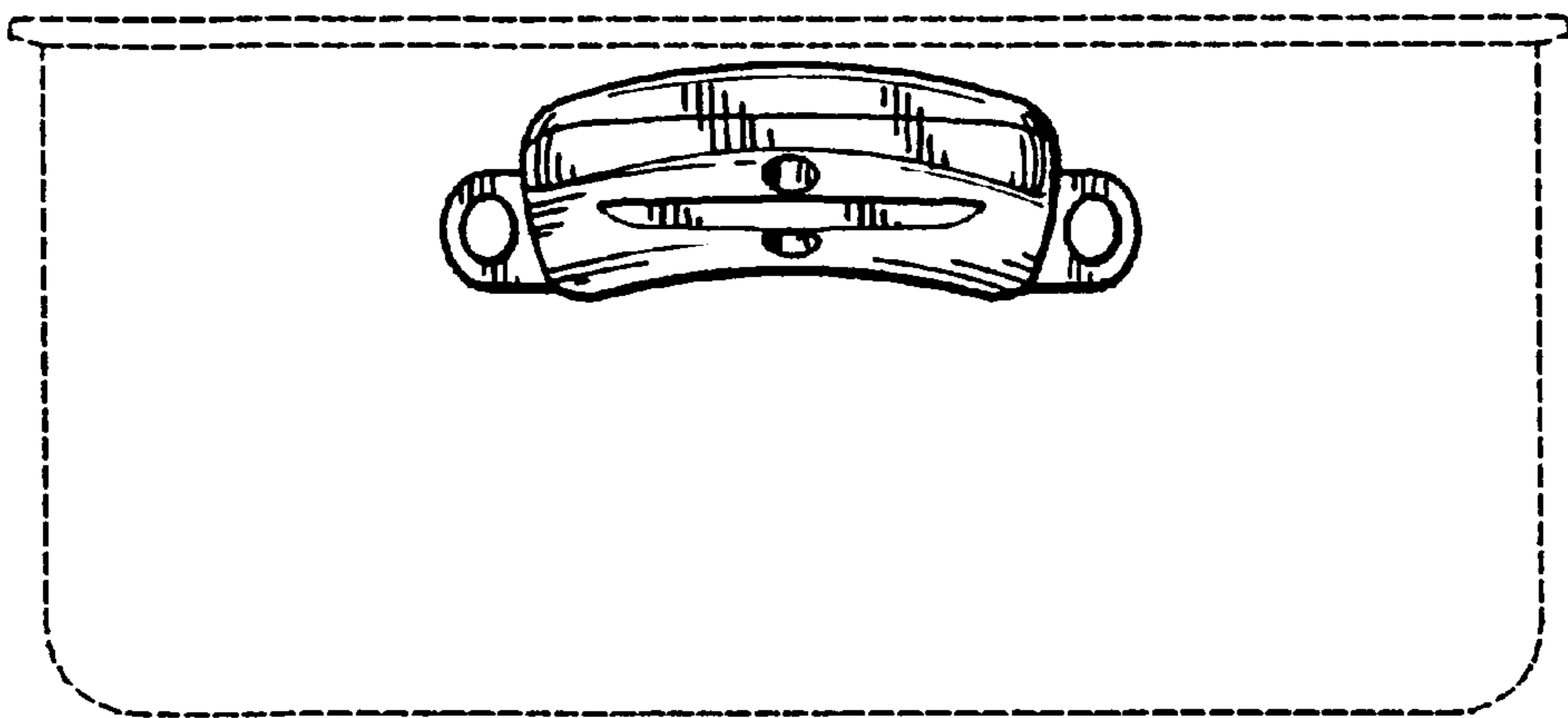


FIG. 8