



US00D436000S

(12) **United States Design Patent**
Munari

(10) **Patent No.:** **US D436,000 S**

(45) **Date of Patent:** **** Jan. 9, 2001**

(54) **HANDLE FOR A COOKING VESSEL**

(75) Inventor: **Marco Munari**, Cardano al Campo (IT)

(73) Assignee: **La Termoplastica F.B.M. S.r.l.** (IT)

(**) Term: **14 Years**

(21) Appl. No.: **29/123,128**

(22) Filed: **May 11, 2000**

(30) **Foreign Application Priority Data**

Nov. 15, 1999 (XH) DM/051 046

(51) **LOC (7) Cl.** **07-02**

(52) **U.S. Cl.** **D7/393**

(58) **Field of Search** D7/393-395, 354-361;
D8/107; 16/110.1, 430, 431, DIG. 12, DIG. 18,
DIG. 19; 220/752, 753, 755, 912, 573.1

(56) **References Cited**

U.S. PATENT DOCUMENTS

D. 377,581 * 1/1997 Rohrer D7/393

D. 395,376 * 6/1998 Montgelard D7/393

* cited by examiner

Primary Examiner—Caron D. Veynar

(74) *Attorney, Agent, or Firm*—Ladas & Parry

(57) **CLAIM**

The ornamental design for a handle for a cooking vessel, as shown.

DESCRIPTION

FIG. 1 is a three-quarter front view in perspective of my new design relating to an handle for a cooking vessel;

FIG. 2 is a three-quarter rear view in perspective of my new design;

FIG. 3 is a right side view of my new design;

FIG. 4 is a left side view of my new design;

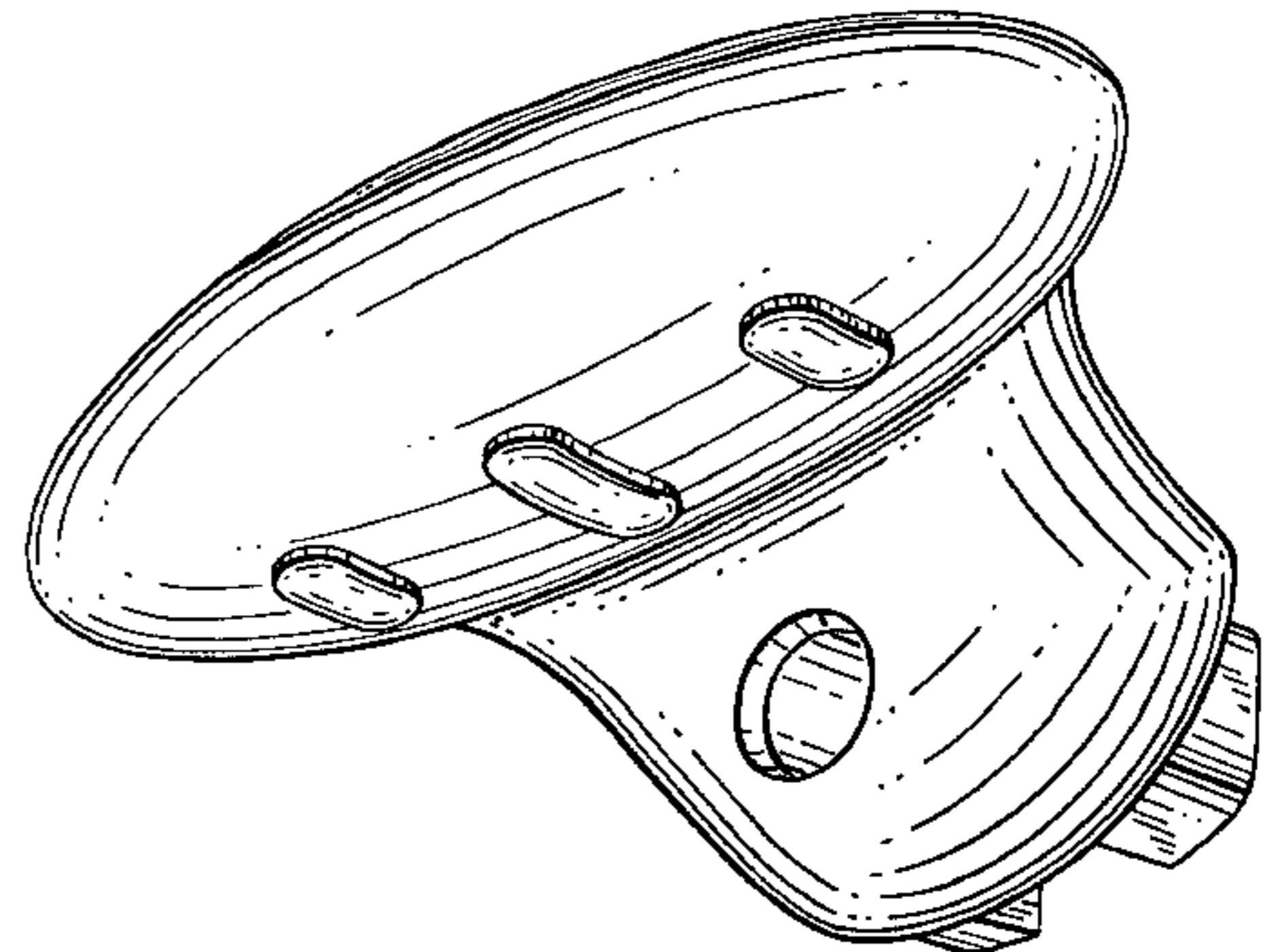
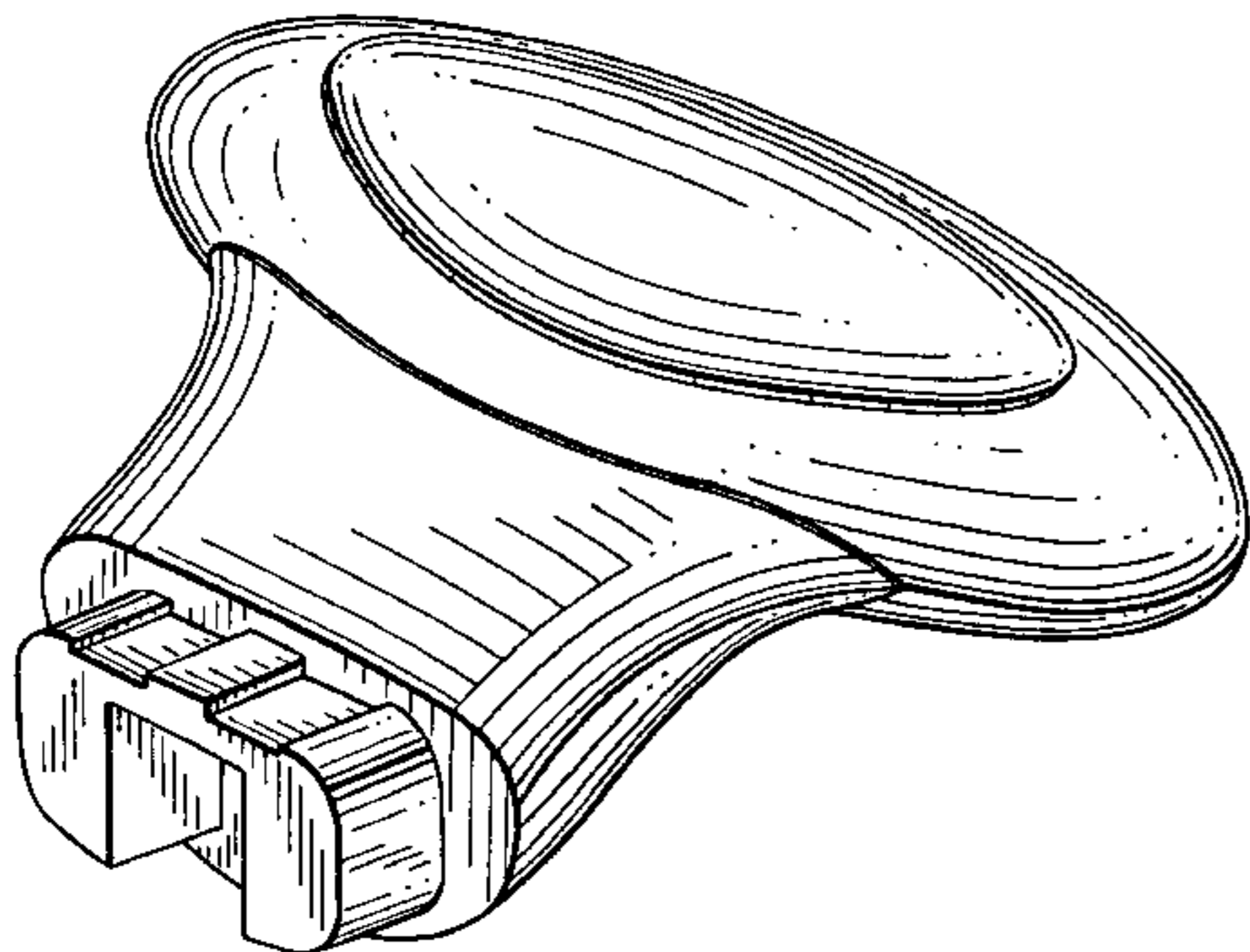
FIG. 5 is a top plan view of my new design;

FIG. 6 is a bottom plan view of my new design;

FIG. 7 is a front view of the end of the FIG. 1 handle for connection to a cooking vessel; and,

FIG. 8 is a rear view of the free end of the FIG. 1 handle.

1 Claim, 4 Drawing Sheets



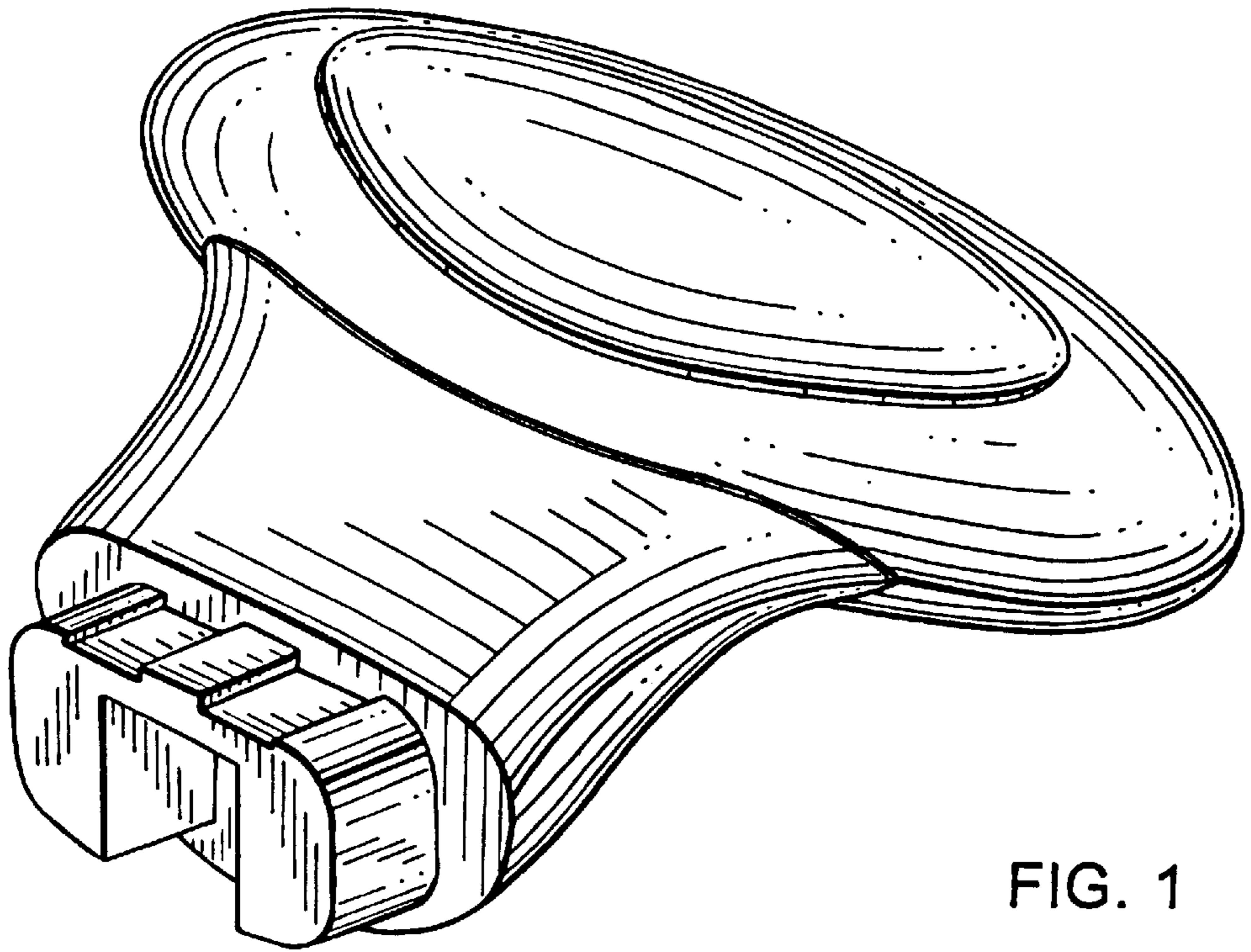


FIG. 1

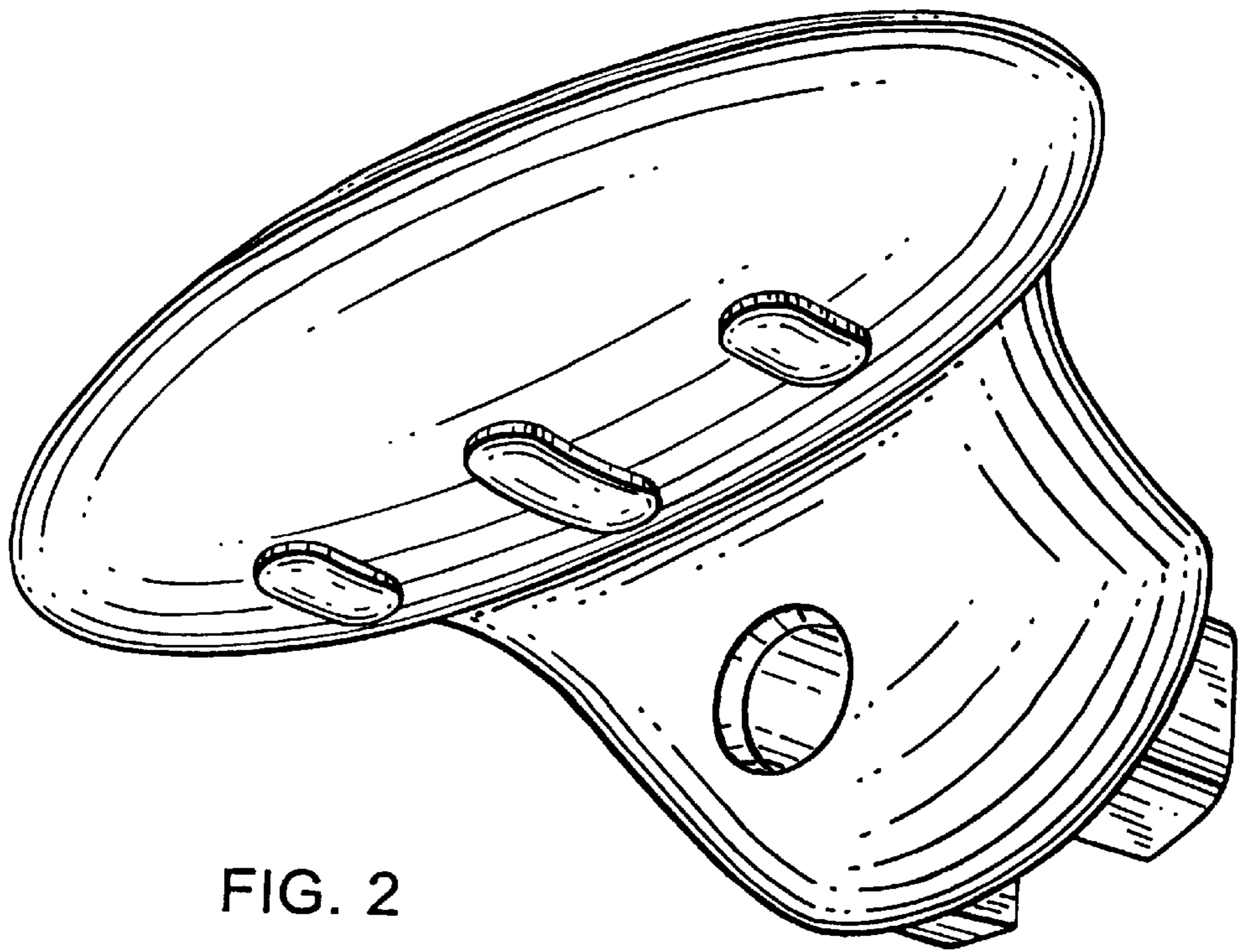


FIG. 2

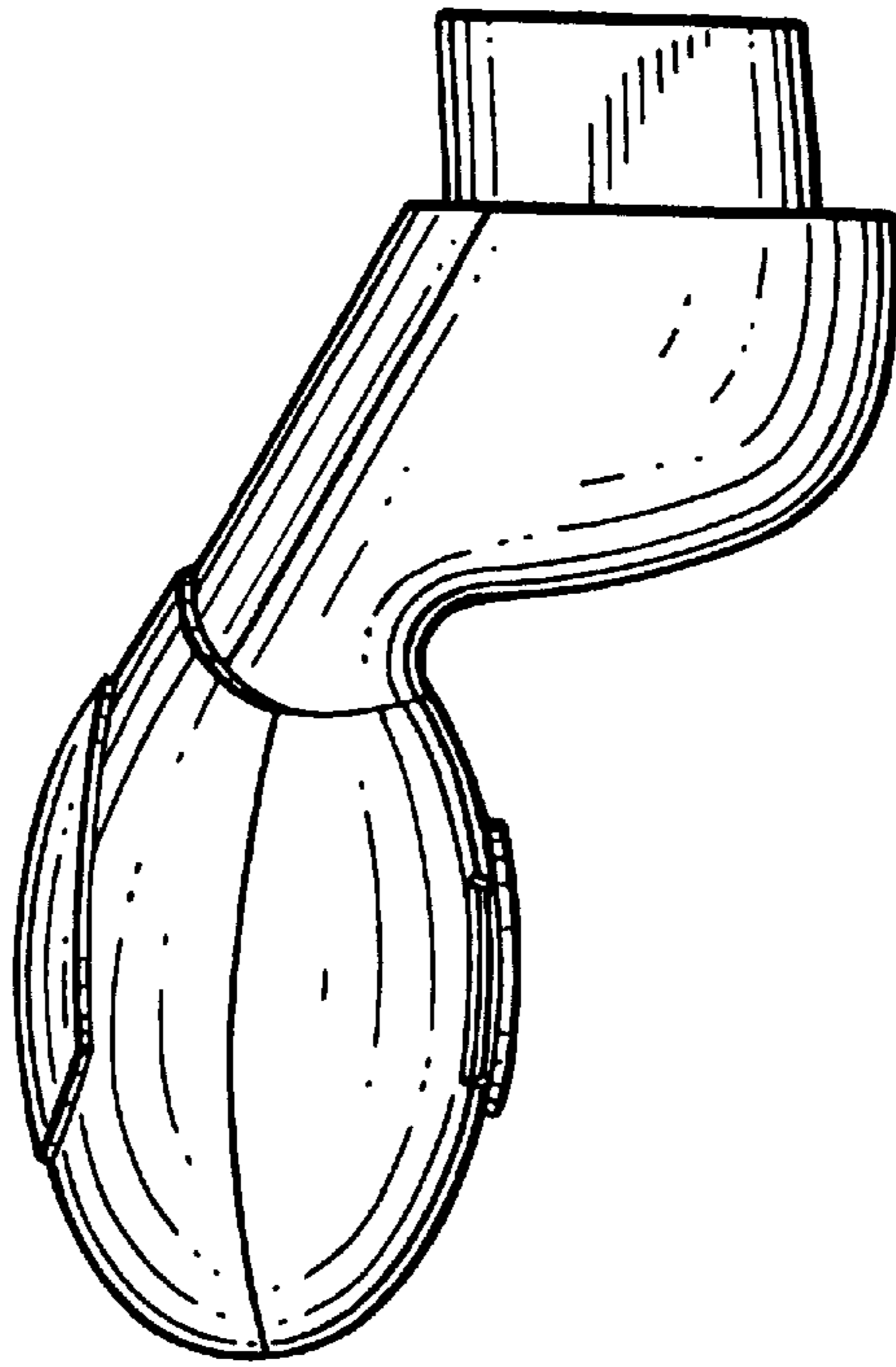


FIG. 4

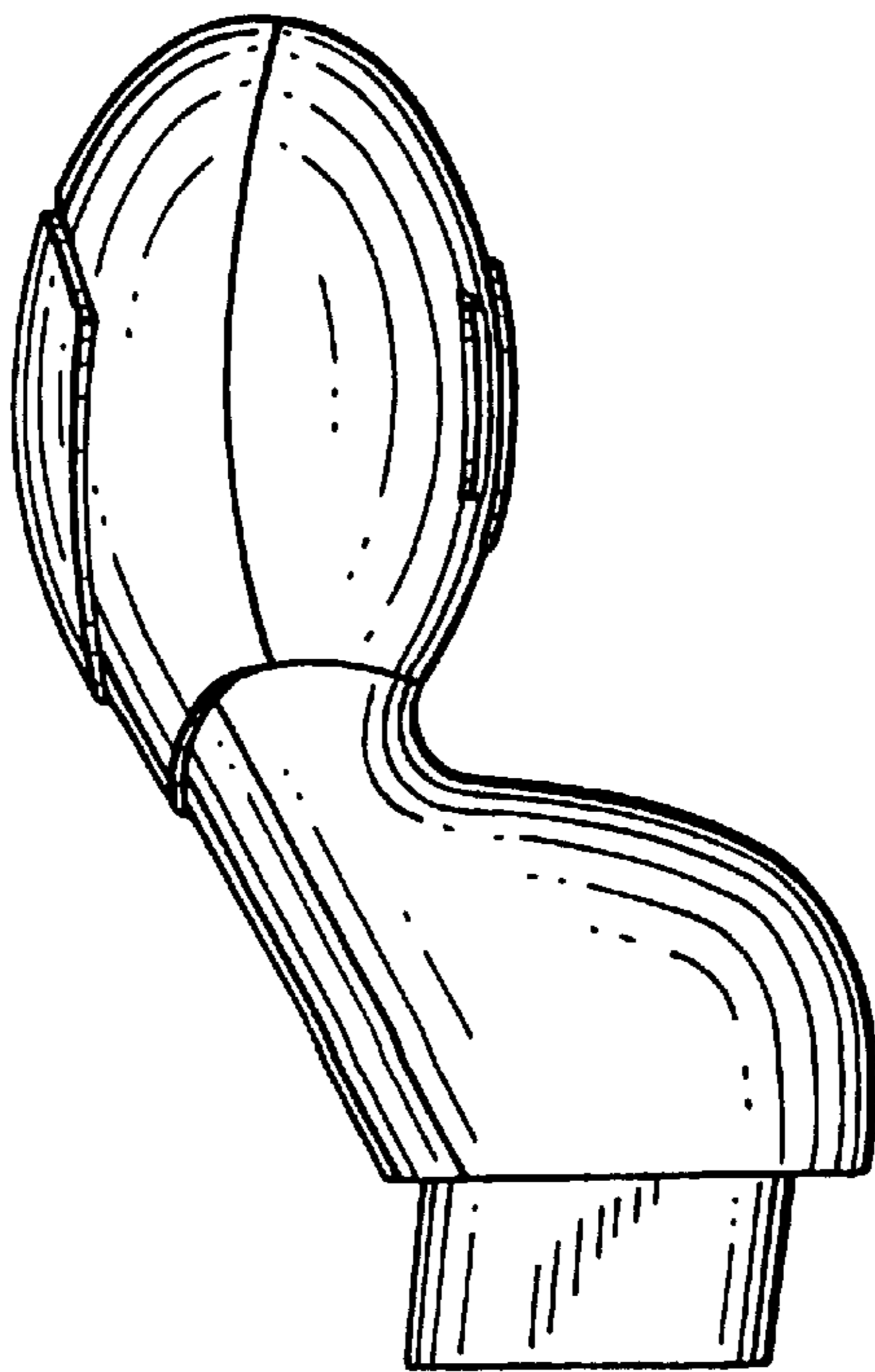


FIG. 3

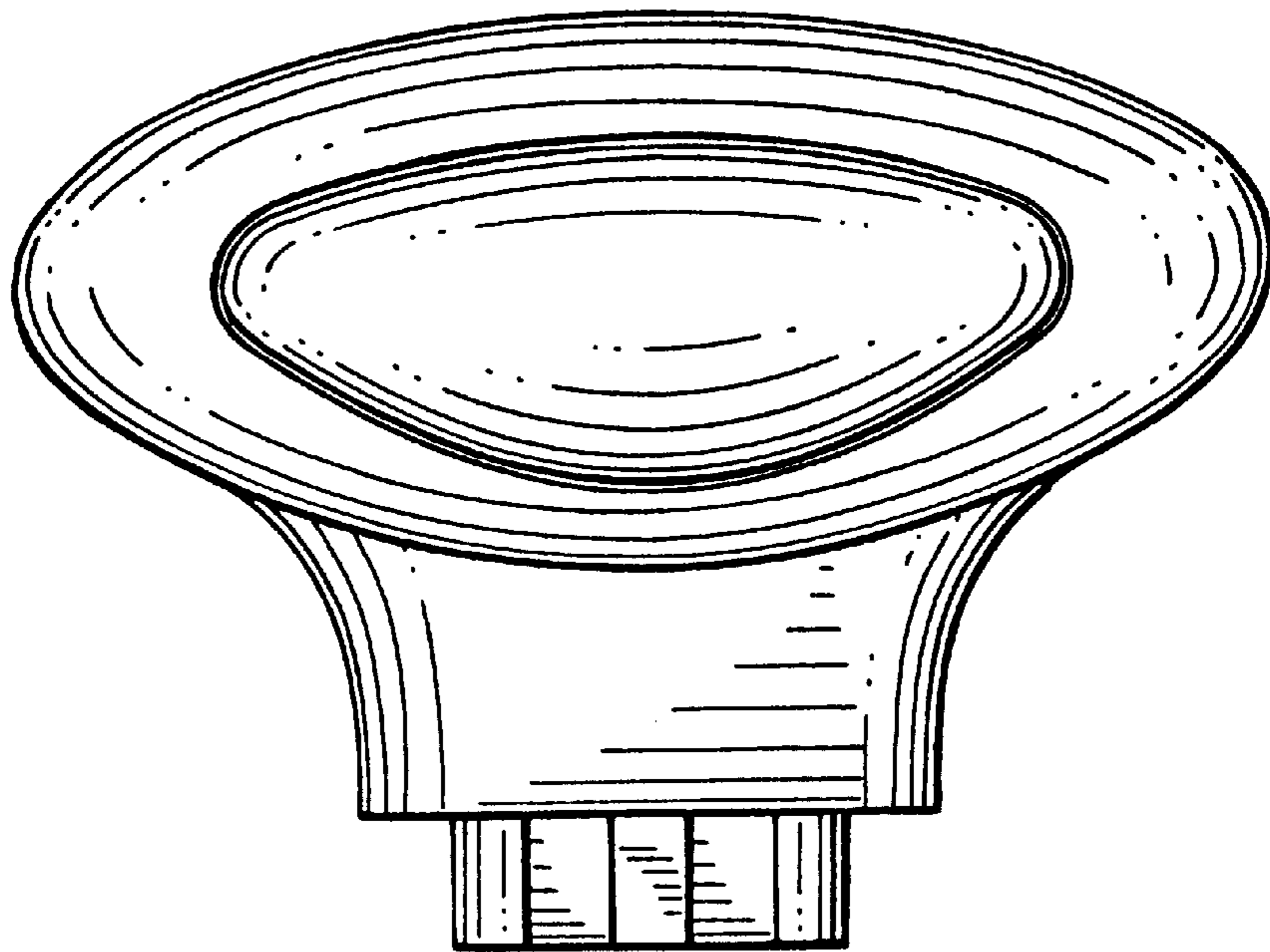


FIG. 5

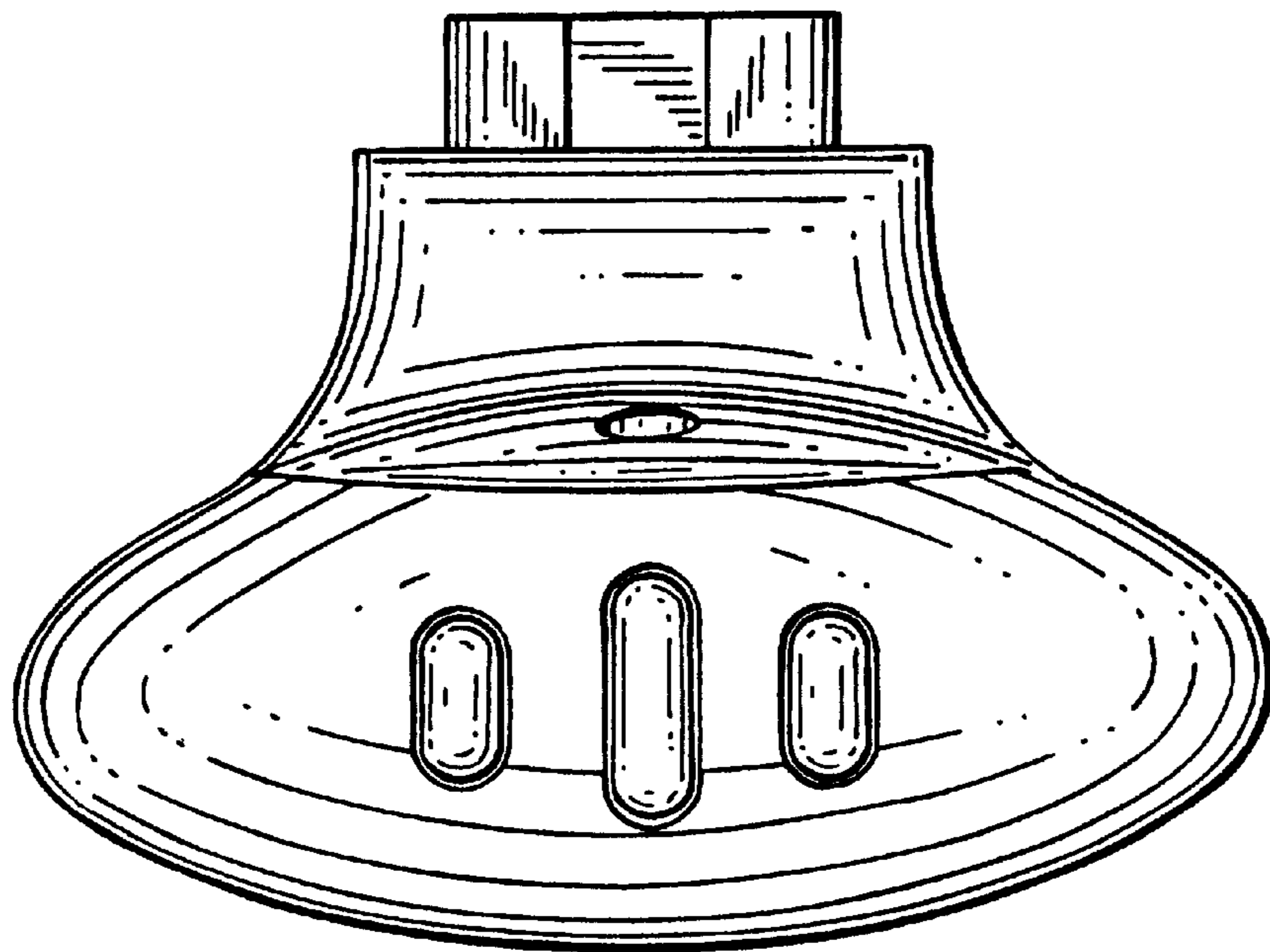


FIG. 6

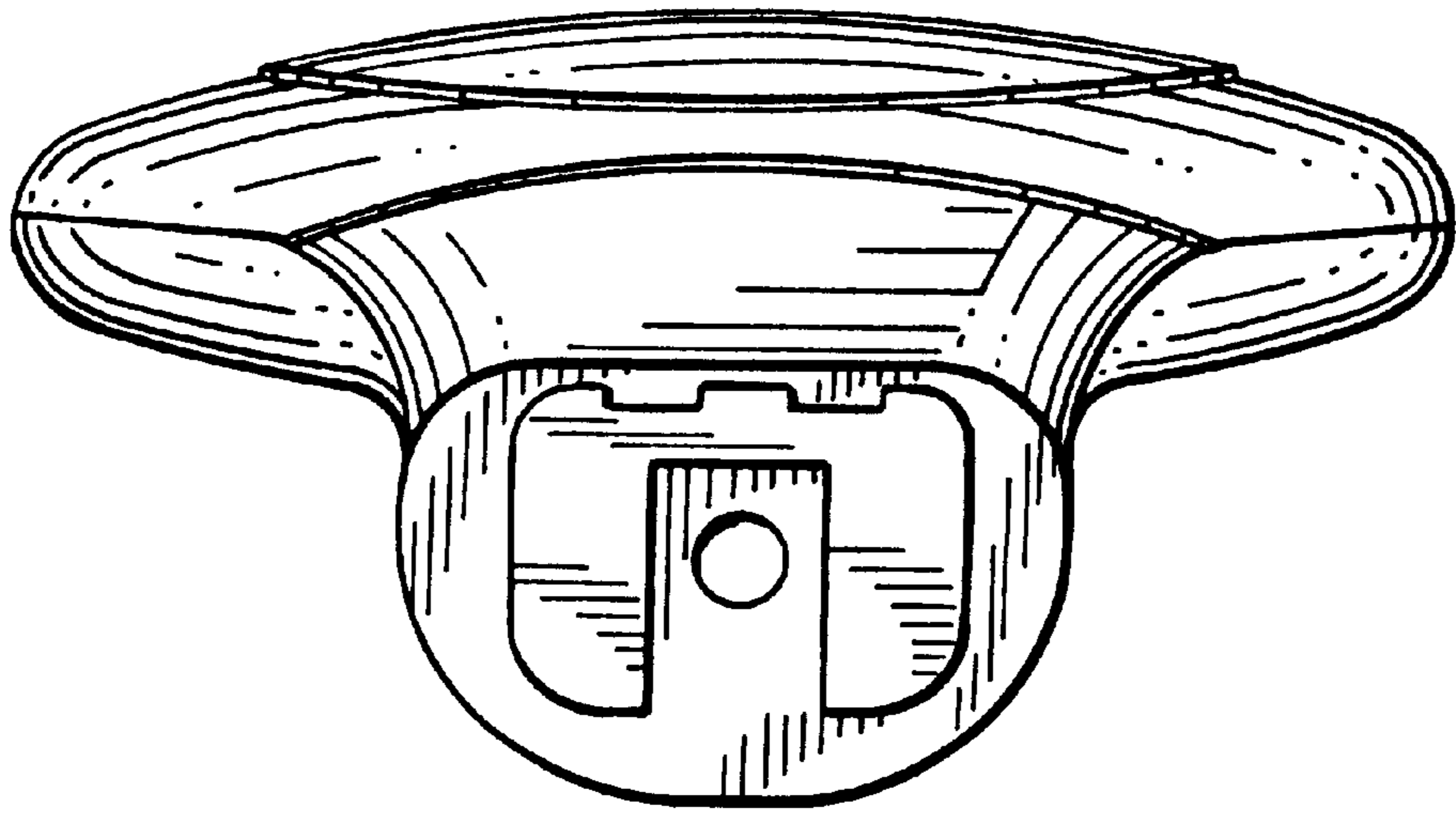


FIG. 7

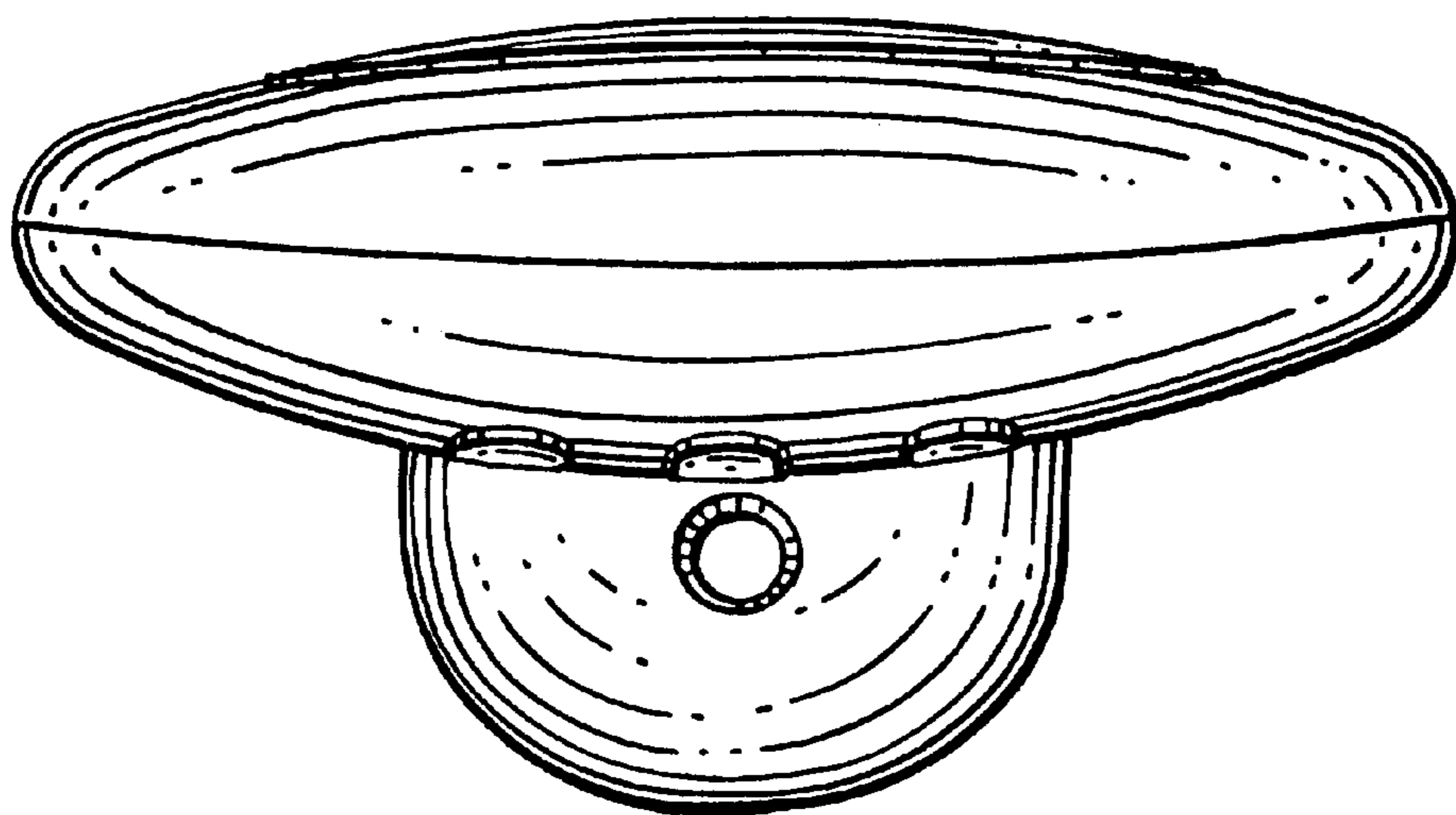


FIG. 8