



US00D435998S

(12) **United States Design Patent**
Mak

(10) **Patent No.:** **US D435,998 S**

(45) **Date of Patent:** **** Jan. 9, 2001**

(54) **PORTABLE COOKING GRILL**

(76) **Inventor:** **Tai Mak**, 101 E. State St., Jacksonville,
FL (US) 32202

(**) **Term:** **14 Years**

(21) **Appl. No.:** **29/119,321**

(22) **Filed:** **Feb. 25, 2000**

(51) **LOC (7) Cl.** **07-02**

(52) **U.S. Cl.** **D7/332**

(58) **Field of Search** D7/332-337, 402;
D21/708-709, 712-714, 533, 548-549,
580; D11/157, 163; 126/25 R, 25 A, 25 AA,
29-30, 9 R, 39 R, 41 R; 99/419, 421 R;
446/268, 431, 465, 470; 473/351, 355-356,
365, 378-385

(56) **References Cited**

U.S. PATENT DOCUMENTS

- D. 302,641 * 8/1989 Elmburg D7/332
- D. 314,882 * 2/1991 Bethel, Jr. D7/334
- D. 373,282 * 9/1996 Cordero D7/334

- D. 385,146 * 10/1997 Fielding et al. D7/332
- D. 396,599 * 8/1998 Smith, Jr. D7/332
- D. 415,925 * 11/1999 Pai D7/337
- D. 421,200 * 2/2000 Taylor, Jr. D7/332
- D. 425,367 * 5/2000 Cragg D7/402

* cited by examiner

Primary Examiner—Ruth McInroy

(74) *Attorney, Agent, or Firm*—Thomas C. Saitta

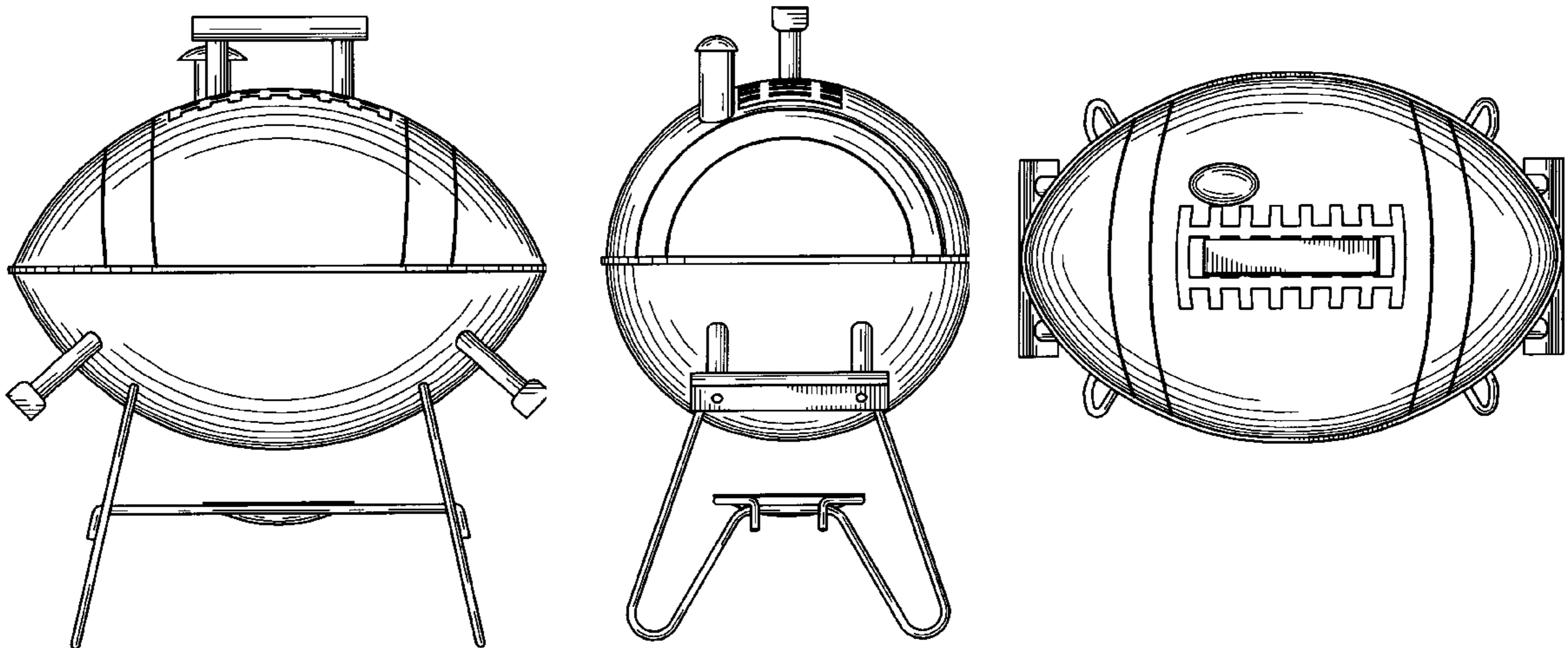
(57) **CLAIM**

The ornamental design for a portable cooking grill, as shown.

DESCRIPTION

FIG. 1 is a front elevational view of a portable cooking grill showing my new design;
FIG. 2 is a rear elevational view thereof;
FIG. 3 is a left side elevational view thereof;
FIG. 4 is a right side elevational view thereof;
FIG. 5 is a top plan view thereof; and,
FIG. 6 is a bottom plan view thereof.

1 Claim, 3 Drawing Sheets



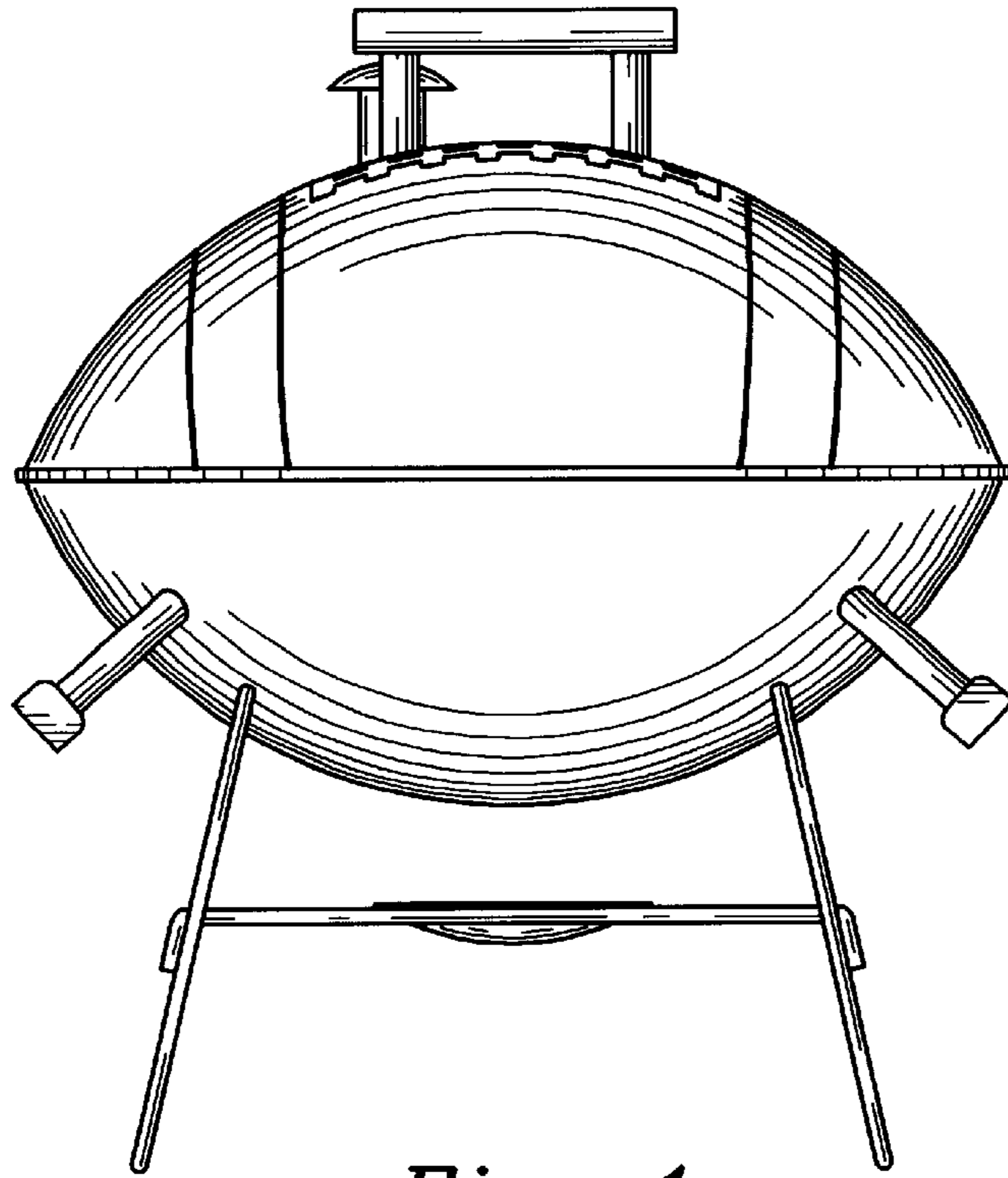


Fig. 1

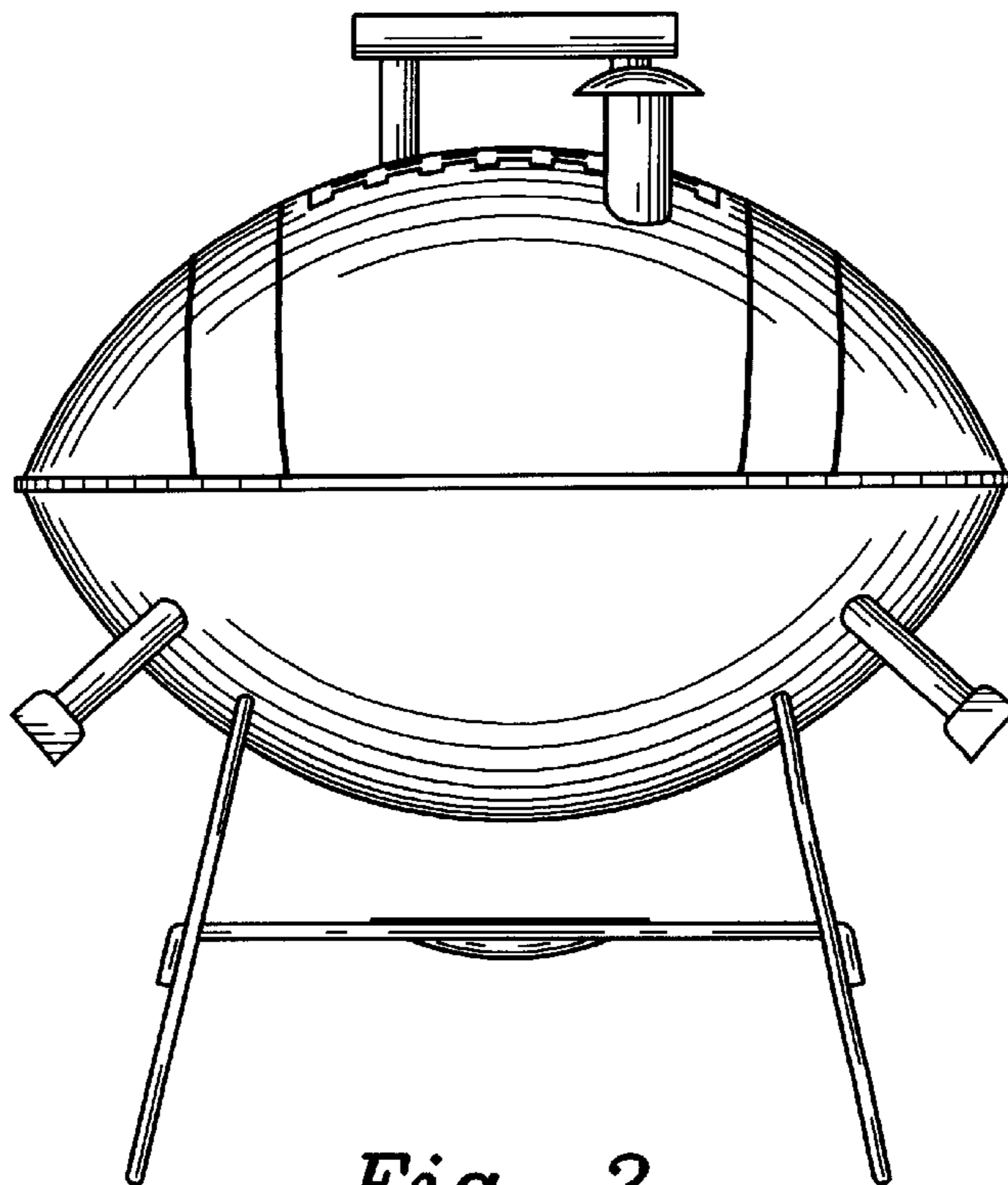


Fig. 2

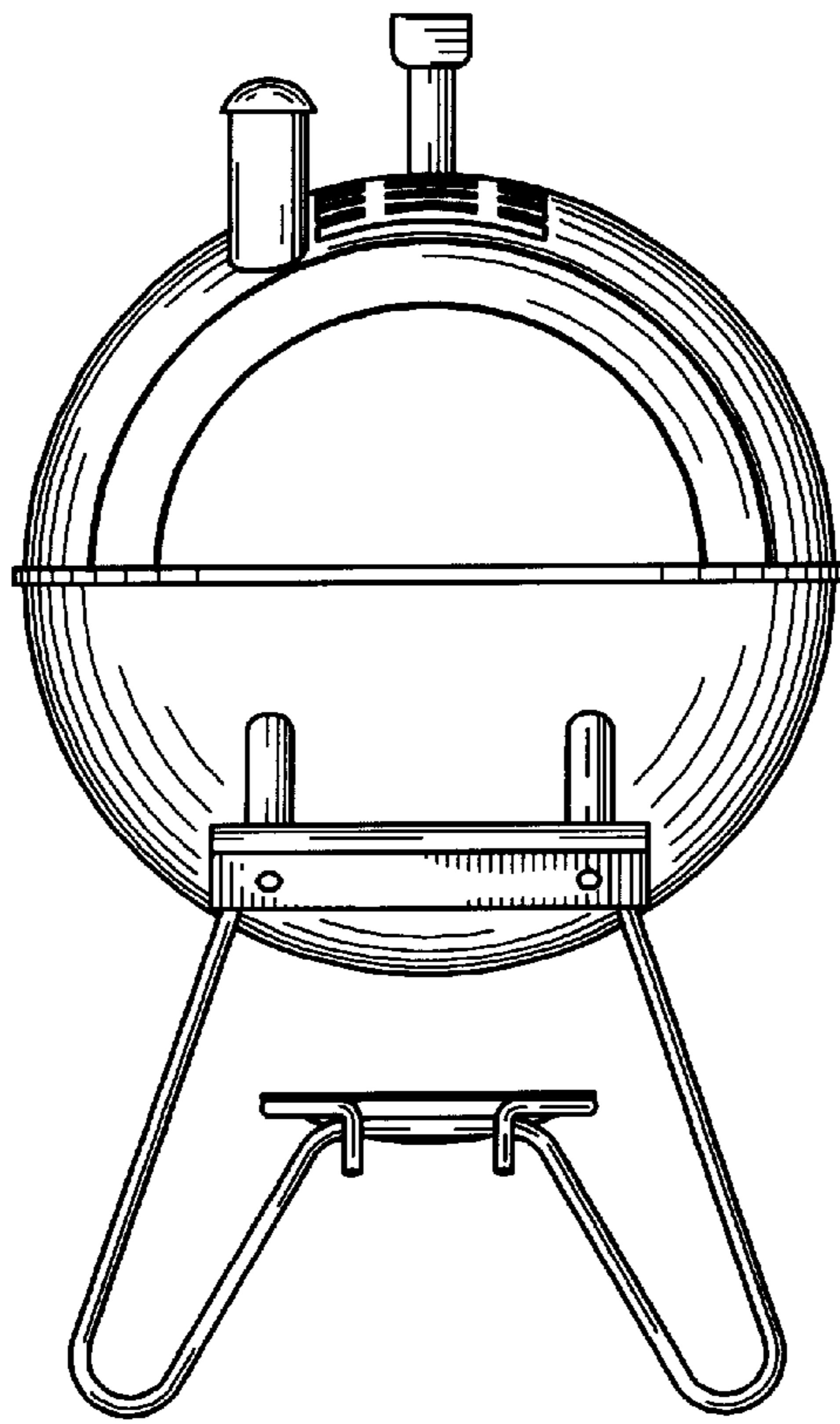


Fig. 3

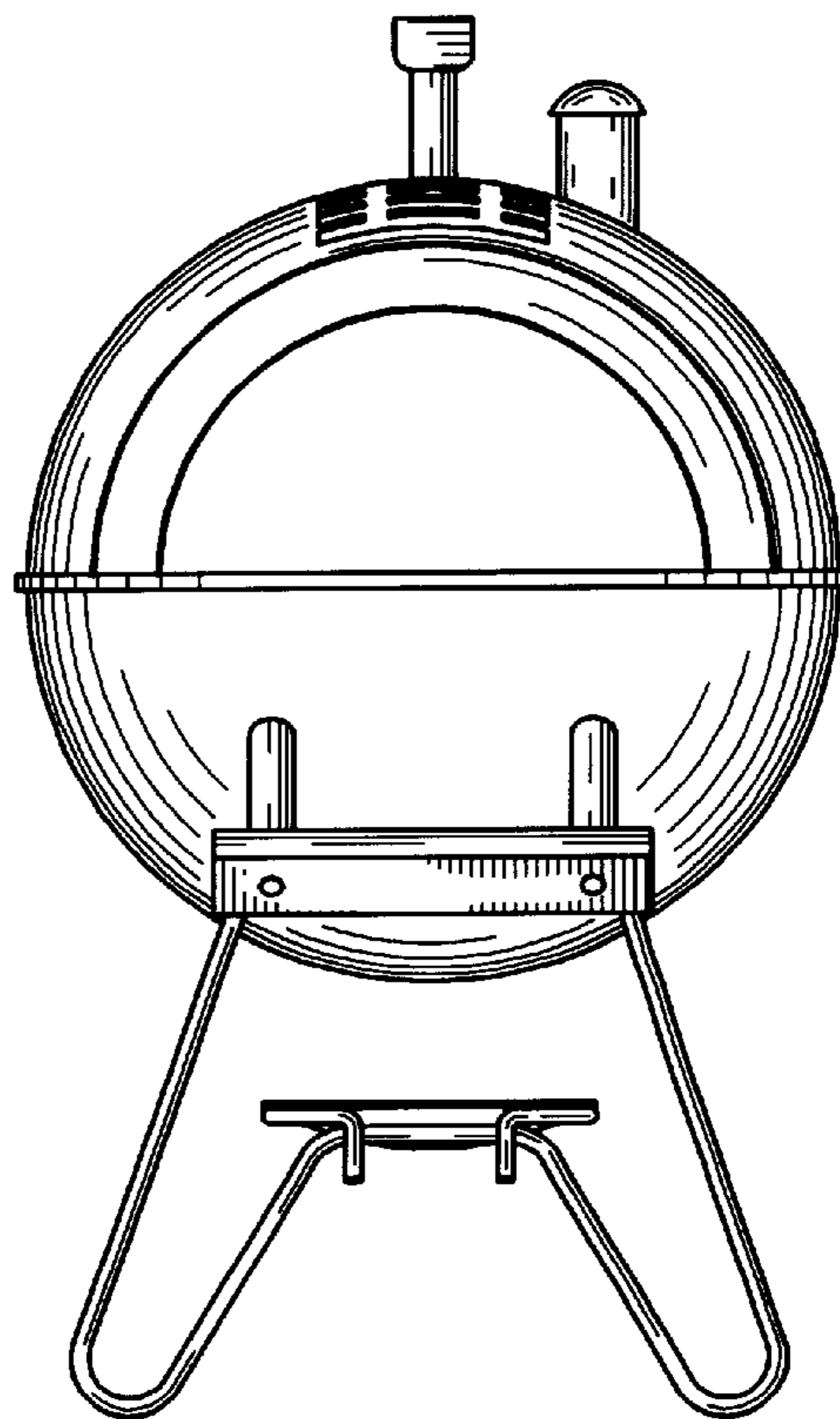


Fig. 4

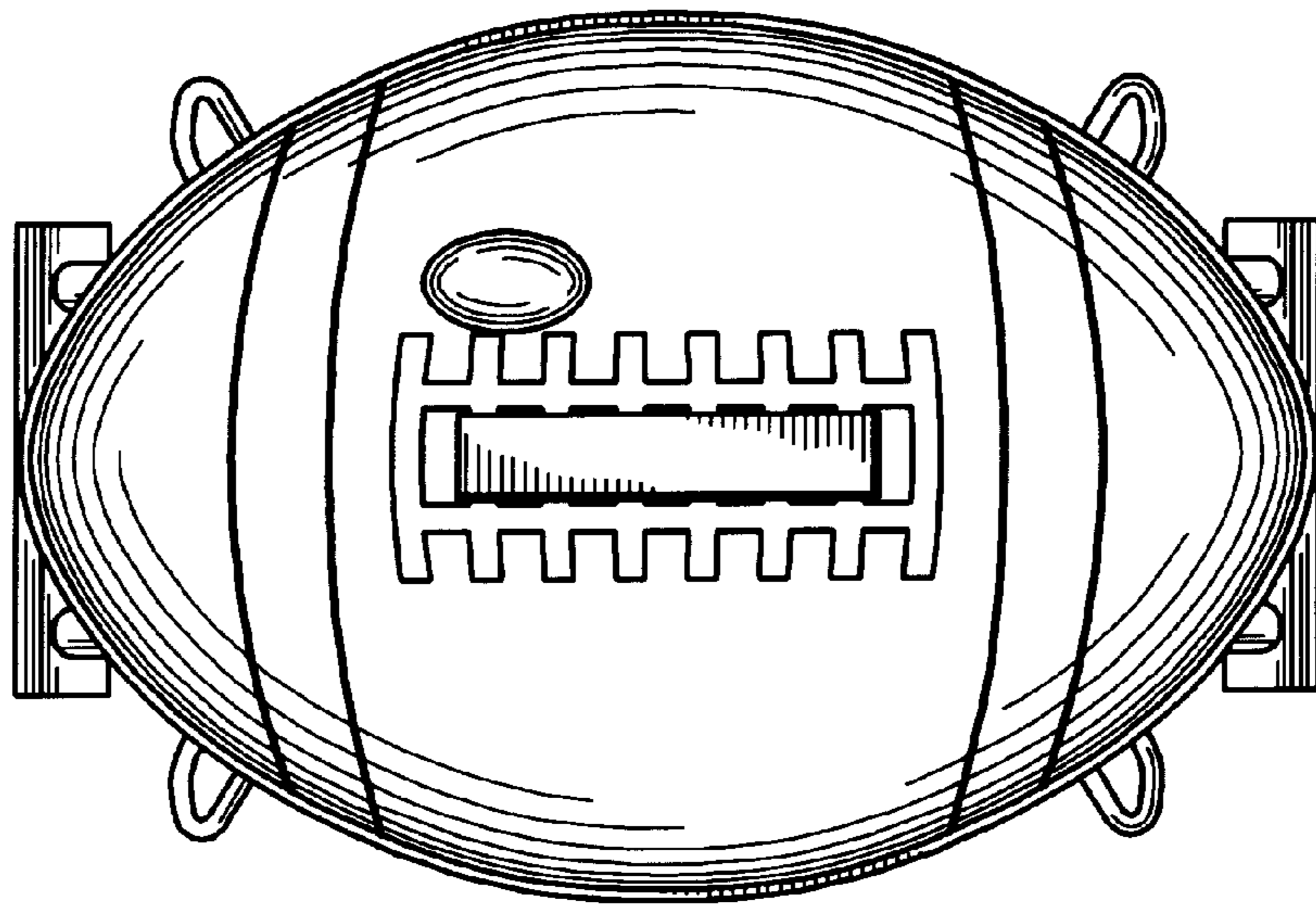


Fig. 5

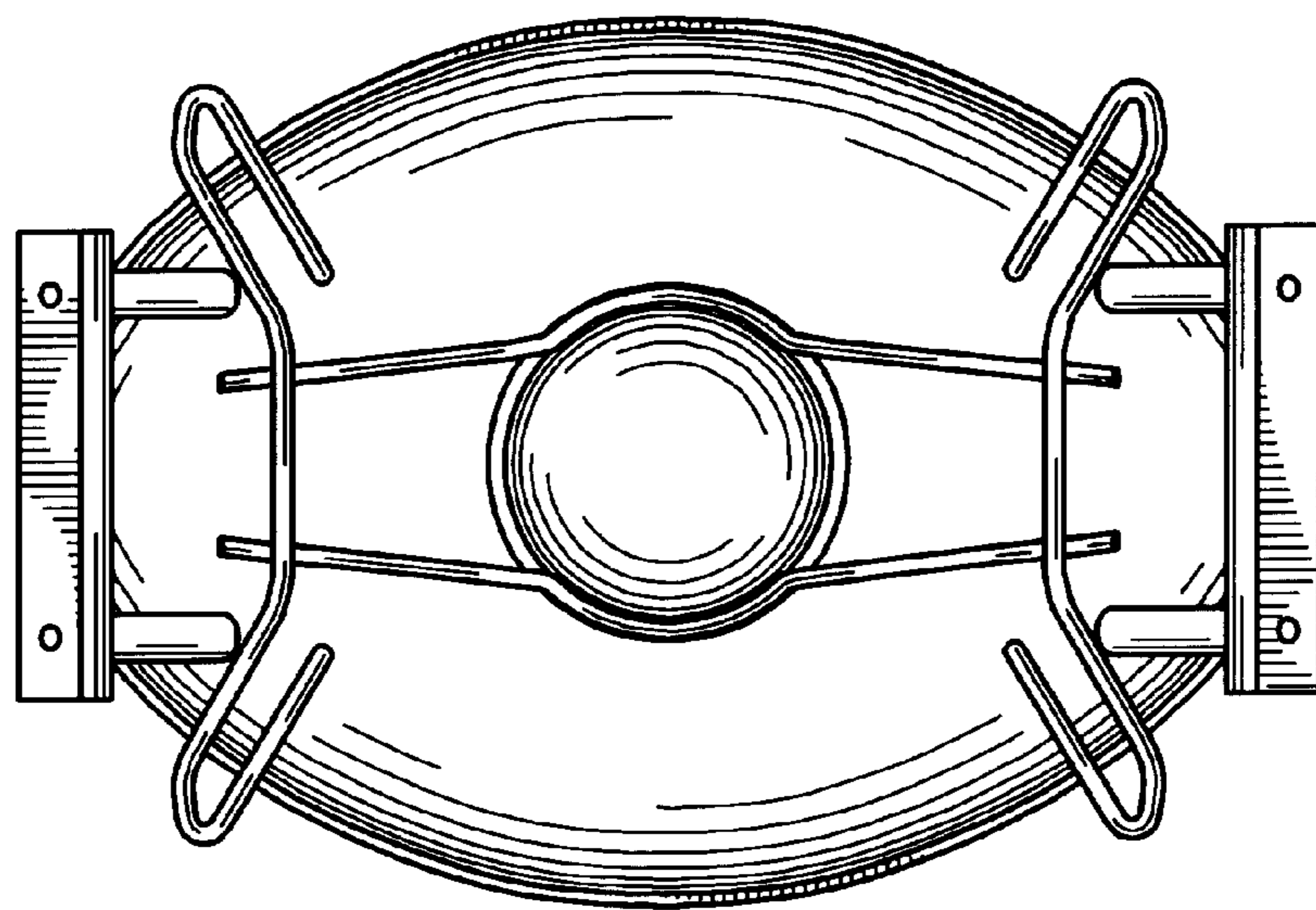


Fig. 6