



US00D435997S

(12) **United States Design Patent**
Leo et al.

(10) **Patent No.:** **US D435,997 S**

(45) **Date of Patent:** **** Jan. 9, 2001**

(54) **TEA KETTLE**

(75) Inventors: **Anthony Leo; Bruce E. Ancona**, both of New York, NY (US)

(73) Assignee: **B. Via International Housewares, Inc.**, Franklin Park, IL (US)

(**) Term: **14 Years**

(21) Appl. No.: **29/105,627**

(22) Filed: **May 27, 1999**

(51) **LOC (7) Cl.** **07-01**

(52) **U.S. Cl.** **D7/322; D7/321; D7/312**

(58) **Field of Search** **D7/300, 302, 312, D7/313, 321, 322; 222/470, 472, 185.1; 220/318, 912**

(56) **References Cited**

U.S. PATENT DOCUMENTS

D. 308,314 *	6/1990	Ancona et al.	D7/322
D. 362,150	9/1995	Ancona et al.	D7/312
D. 362,152	9/1995	Ancona et al.	D7/312
D. 362,989	10/1995	Ancona et al.	D7/300
D. 363,408	10/1995	Ancona et al.	D7/300
D. 363,633	10/1995	Ancona et al.	D7/300

D. 364,067	11/1995	Ancona et al.	D7/312
D. 364,991 *	12/1995	Lee	D7/322
D. 366,589	1/1996	Ancona	D7/300
D. 379,898	6/1997	Ancona et al.	D7/302
D. 411,405 *	6/1999	Thurlow	D7/321
D. 416,431 *	11/1999	Weiss et al.	D7/302
5,490,616 *	2/1996	Stowell et al.	222/472

* cited by examiner

Primary Examiner—M. N. Pandozzi

(74) *Attorney, Agent, or Firm*—Wolf, Greenfield & Sacks, P.C.

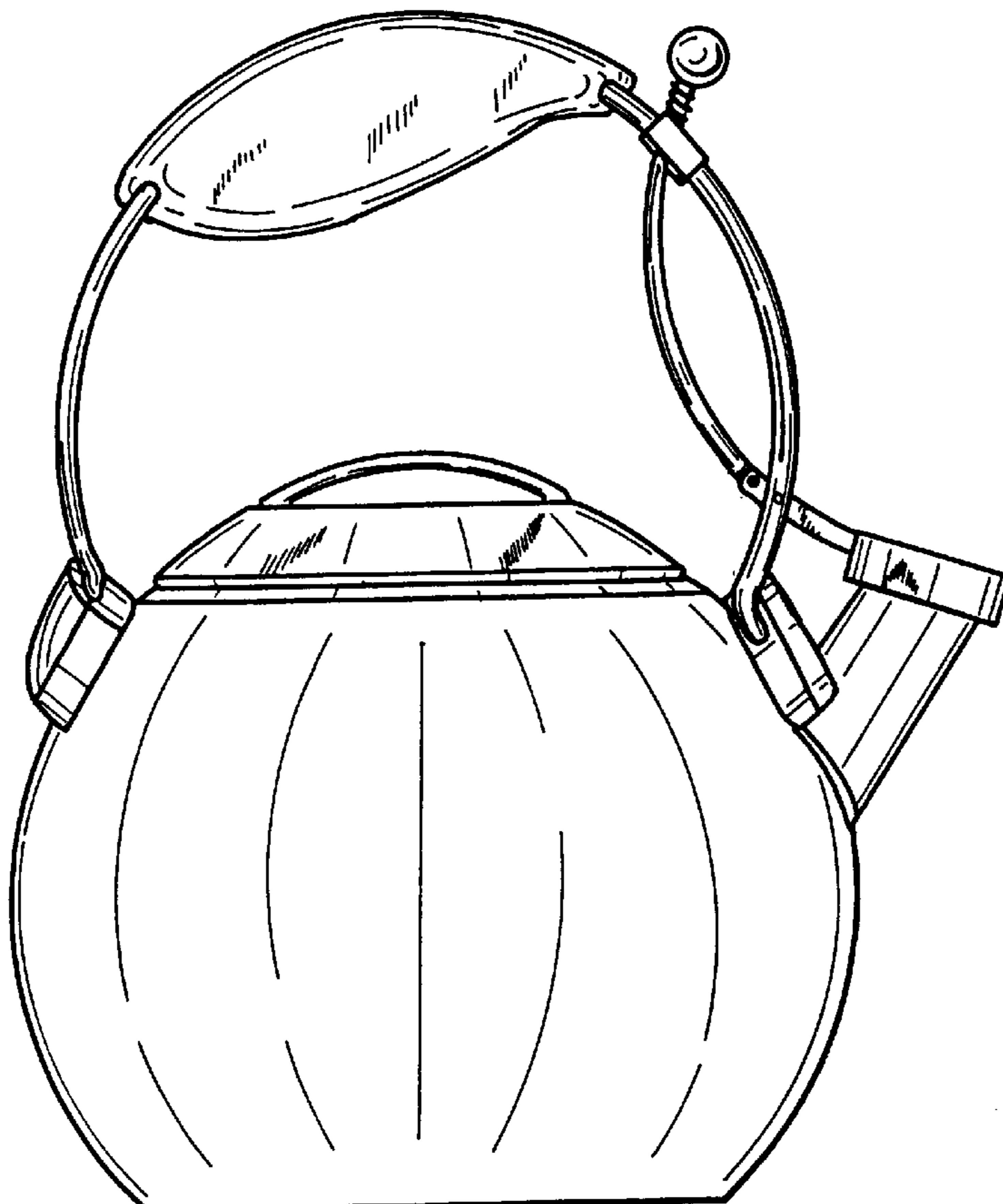
(57) **CLAIM**

The ornamental design for a tea kettle, as shown and described.

DESCRIPTION

FIG. 1 is a side, top, perspective view of the tea kettle; FIG. 2 is a front view thereof; FIG. 3 is a rear view thereof; FIG. 4 is a right side view thereof; FIG. 5 is a left side view thereof; FIG. 6 is a top view thereof; and, FIG. 7 is a bottom view thereof.

1 Claim, 4 Drawing Sheets



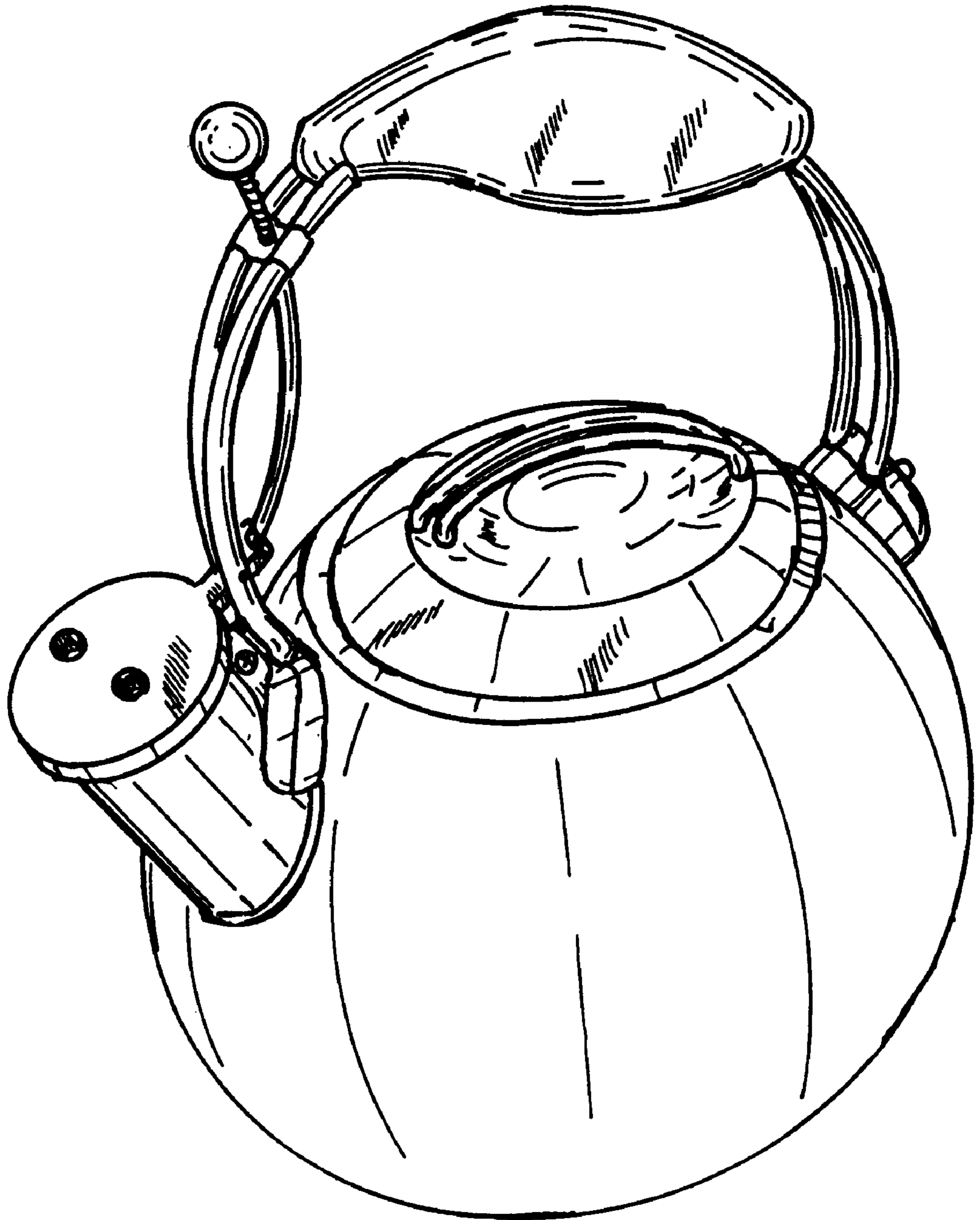


Fig. 1

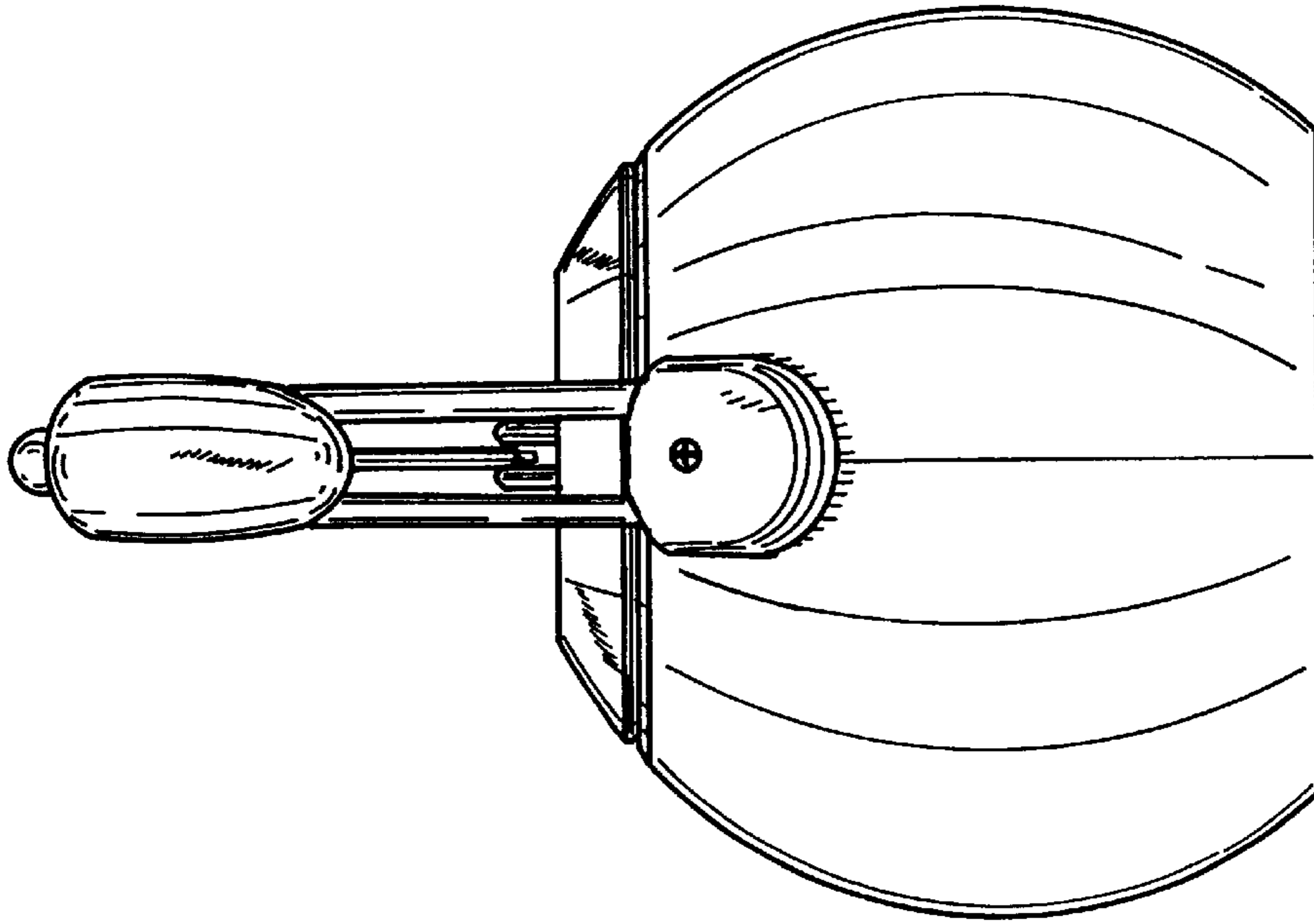


Fig. 3

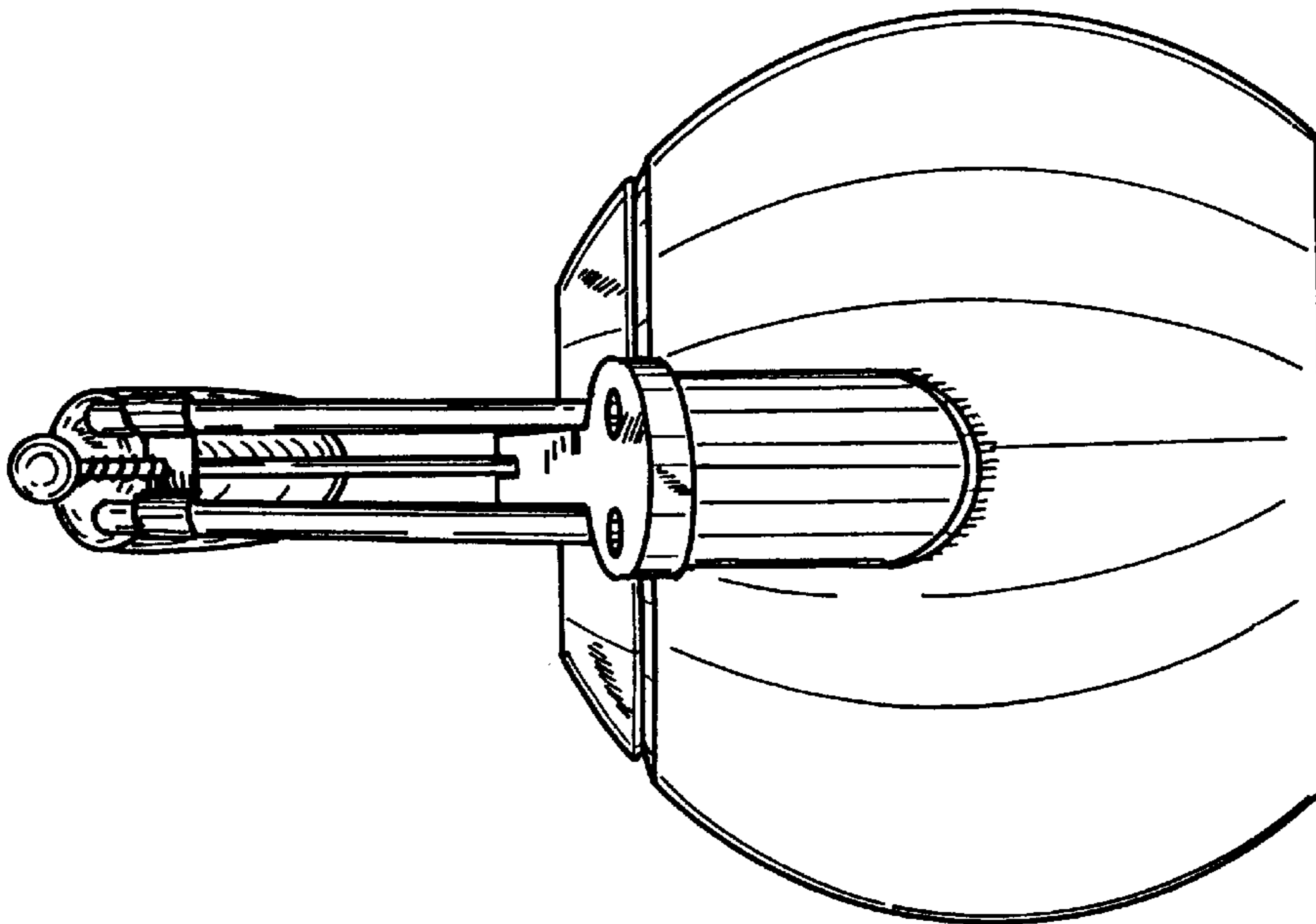


Fig. 2

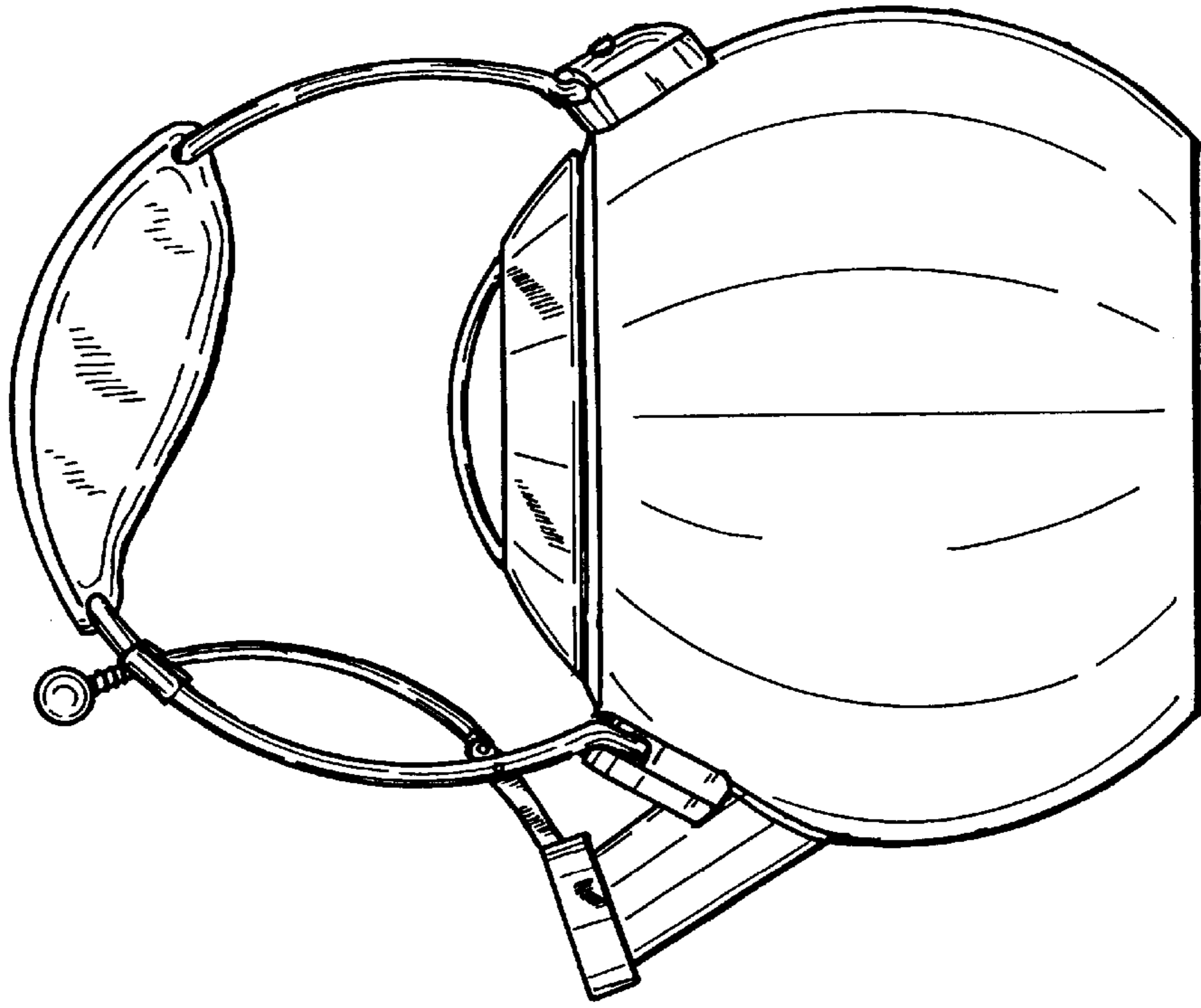


Fig. 5

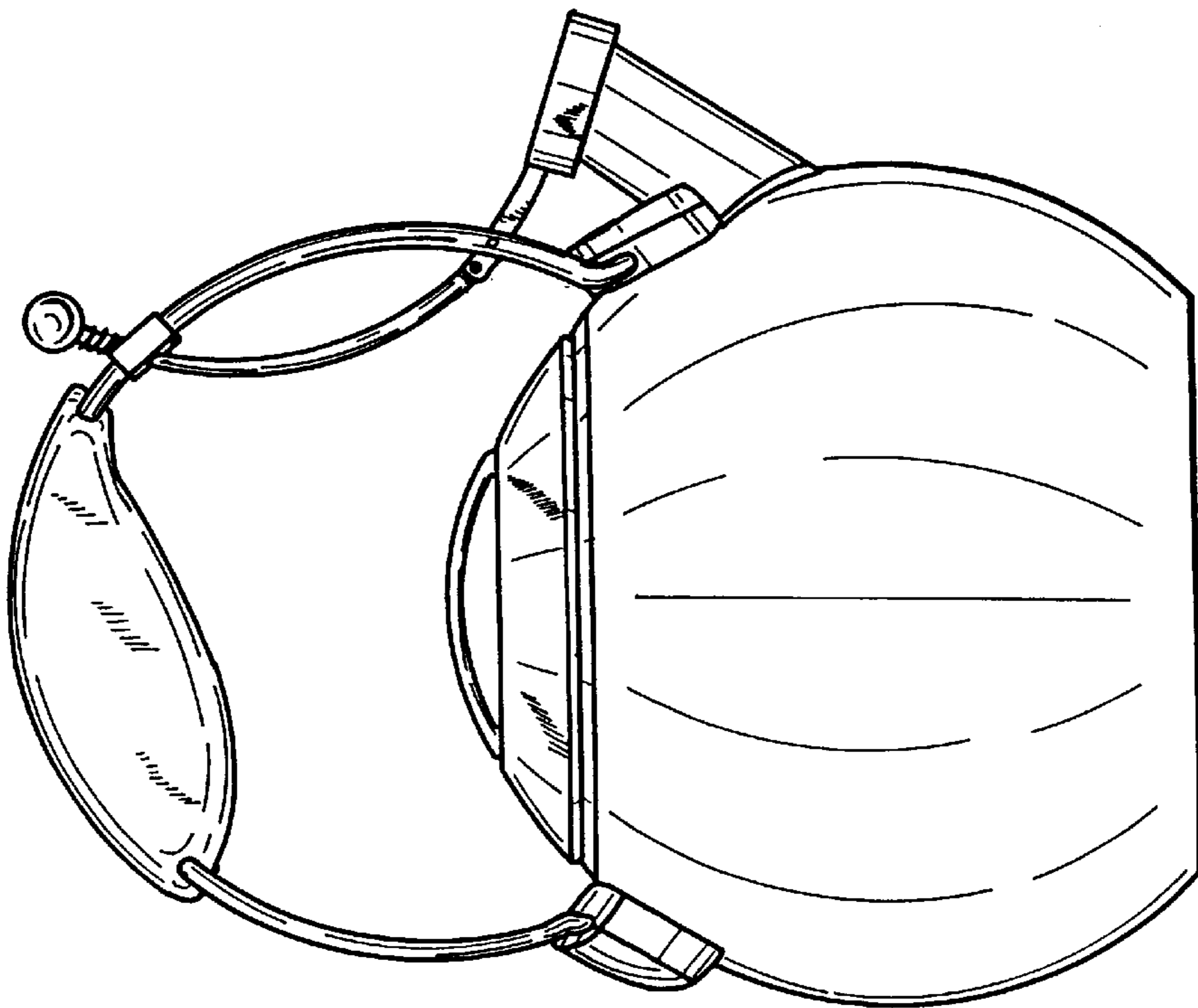


Fig. 4

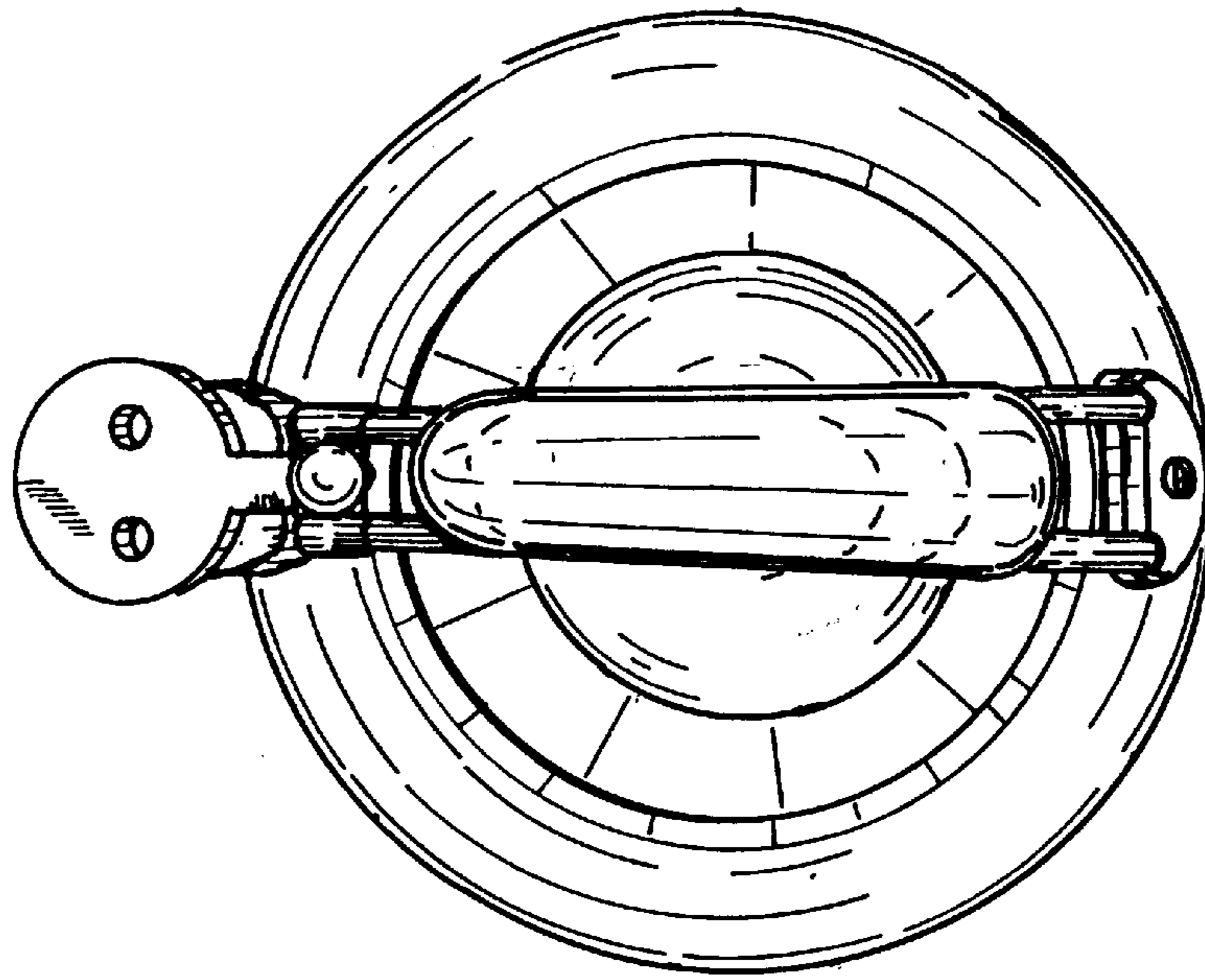


Fig. 6

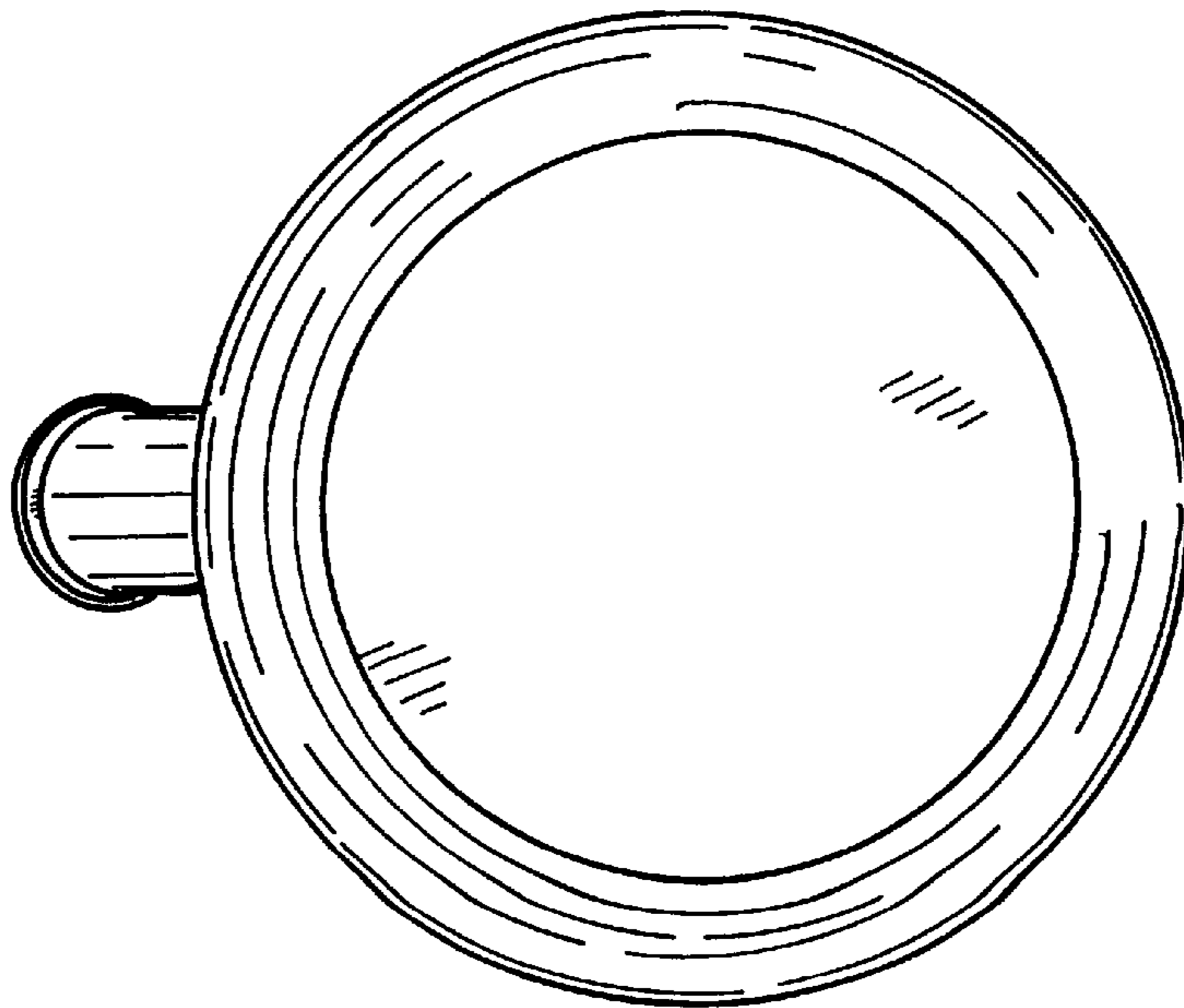


Fig. 7