



US00D435996S

(12) **United States Design Patent**
Joergensen

(10) **Patent No.:** **US D435,996 S**

(45) **Date of Patent:** **** Jan. 9, 2001**

(54) **JUG**

(75) **Inventor:** **Carsten Joergensen, Niklausen (CH)**

(73) **Assignee:** **PI-Design AG, Triengen (CH)**

(**) **Term:** **14 Years**

(21) **Appl. No.:** **29/086,550**

(22) **Filed:** **Apr. 15, 1998**

(30) **Foreign Application Priority Data**

Oct. 15, 1997 (DK) 1037/97

(51) **LOC (7) Cl.** **07-01**

(52) **U.S. Cl.** **D7/319; D7/317**

(58) **Field of Search** D7/316, 317, 318,
D7/319, 312, 305, 321, 322, 635, 688,
590, 598, 600; 222/465.1, 475.1, 472

(56) **References Cited**

U.S. PATENT DOCUMENTS

- D. 14,443 * 11/1883 Leighton, Jr. D7/319
- D. 69,311 * 1/1926 Curtiss D7/319
- D. 111,231 * 9/1938 Titze D7/319
- D. 174,370 * 4/1955 Barnhart D7/319

- D. 183,473 * 9/1958 Willis D7/319
- D. 199,041 * 9/1964 Kitterman D7/319
- D. 201,839 * 8/1965 Erkers D7/319
- D. 286,254 * 10/1986 Zimmerman D7/317
- D. 293,538 * 1/1988 Zimmermann D7/317
- D. 343,333 * 1/1994 Jorgensen D7/317
- D. 382,764 * 8/1997 Brady D7/317

* cited by examiner

Primary Examiner—M. N. Pandozzi

(74) *Attorney, Agent, or Firm*—Nath & Associates; Gary M. Nath; Harold L. Novick

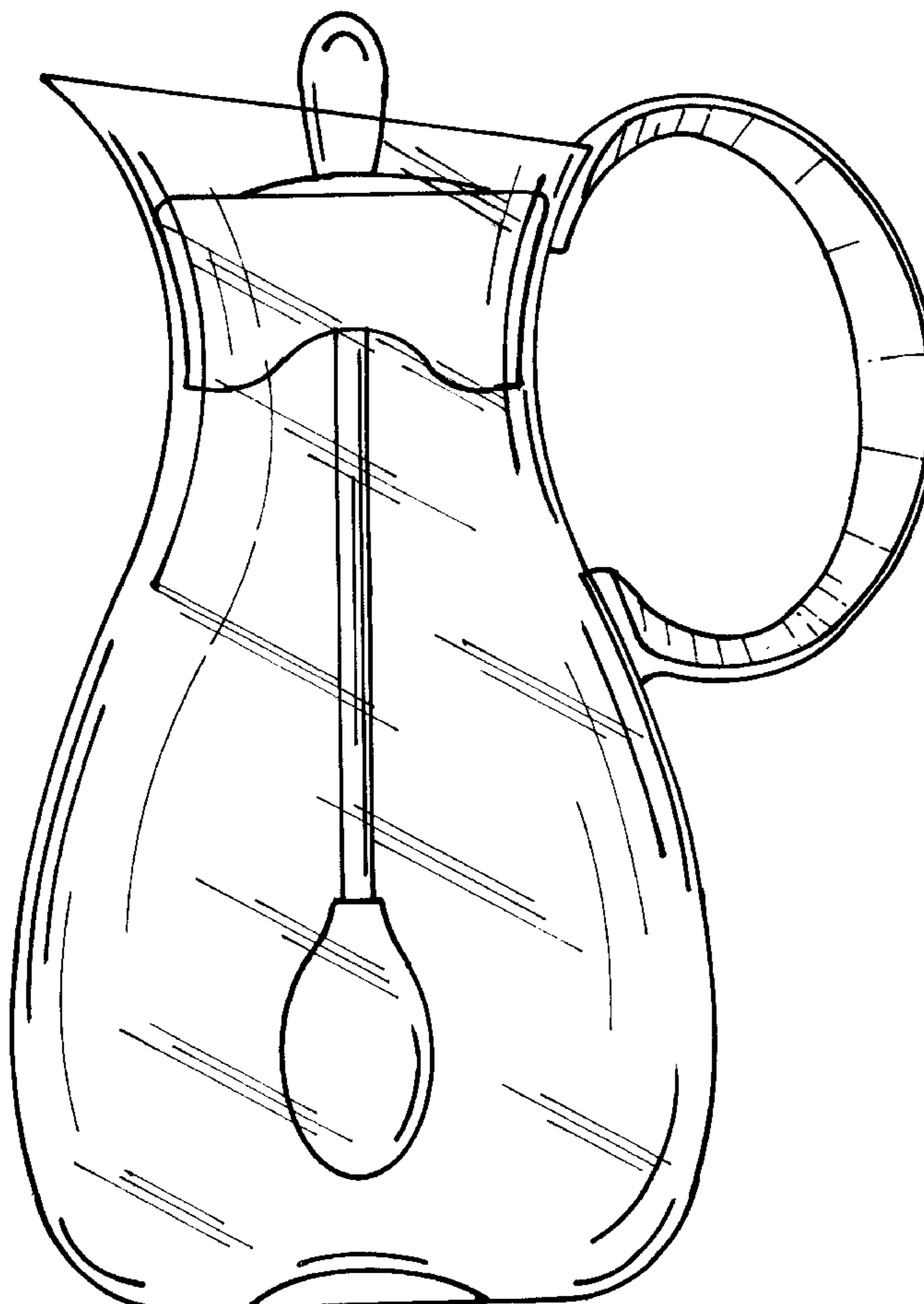
(57) **CLAIM**

The ornamental design for a jug, as shown and described.

DESCRIPTION

FIG. 1 is a top plan view of a jug showing my new design;
 FIG. 2 is a bottom plan view thereof;
 FIG. 3 is a front elevational view thereof;
 FIG. 4 is a rear elevational view thereof;
 FIG. 5 is a left side elevational view thereof;
 FIG. 6 is a right side elevational view thereof; and,
 FIG. 7 is a perspective view thereof.

1 Claim, 7 Drawing Sheets



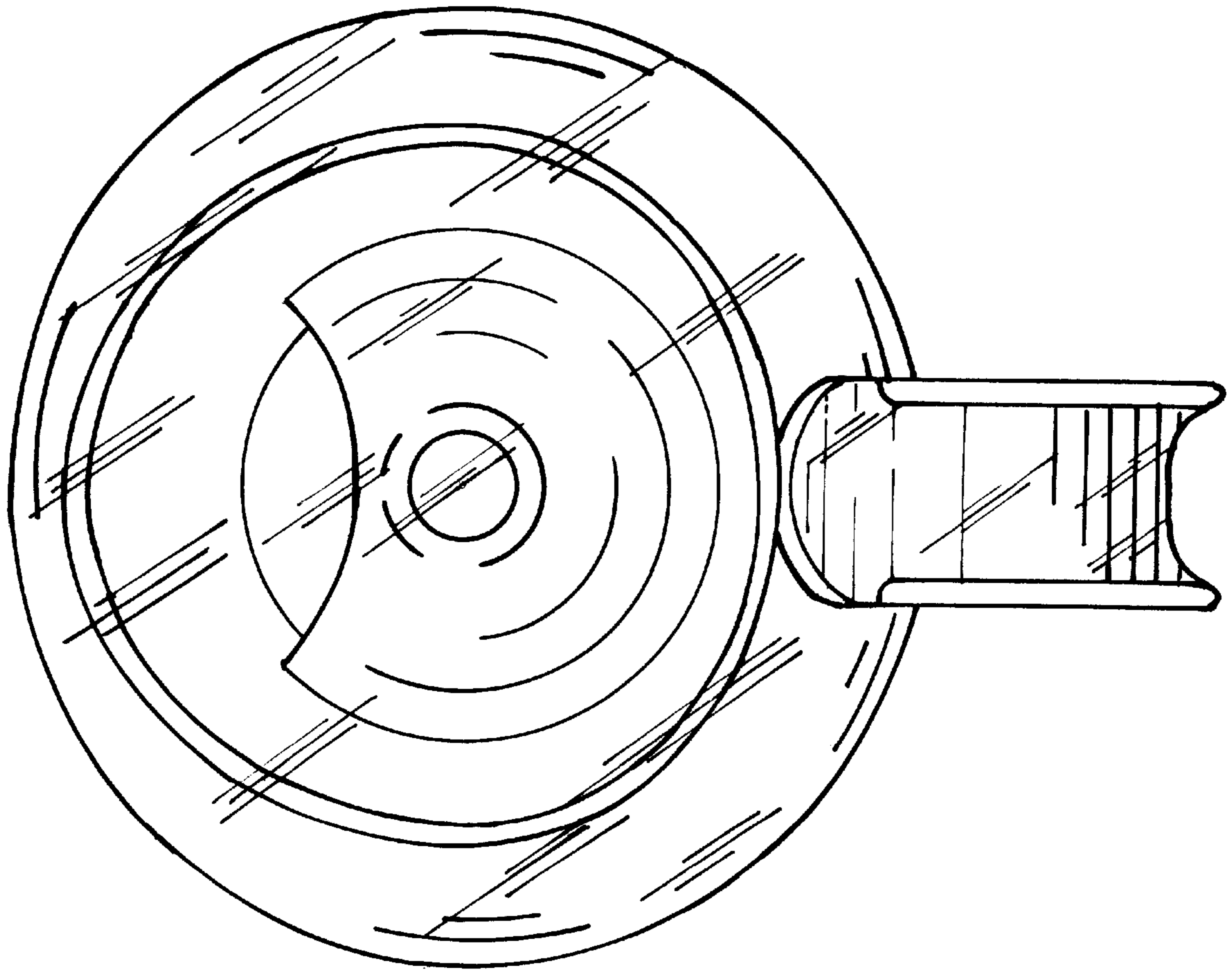


FIG. 1

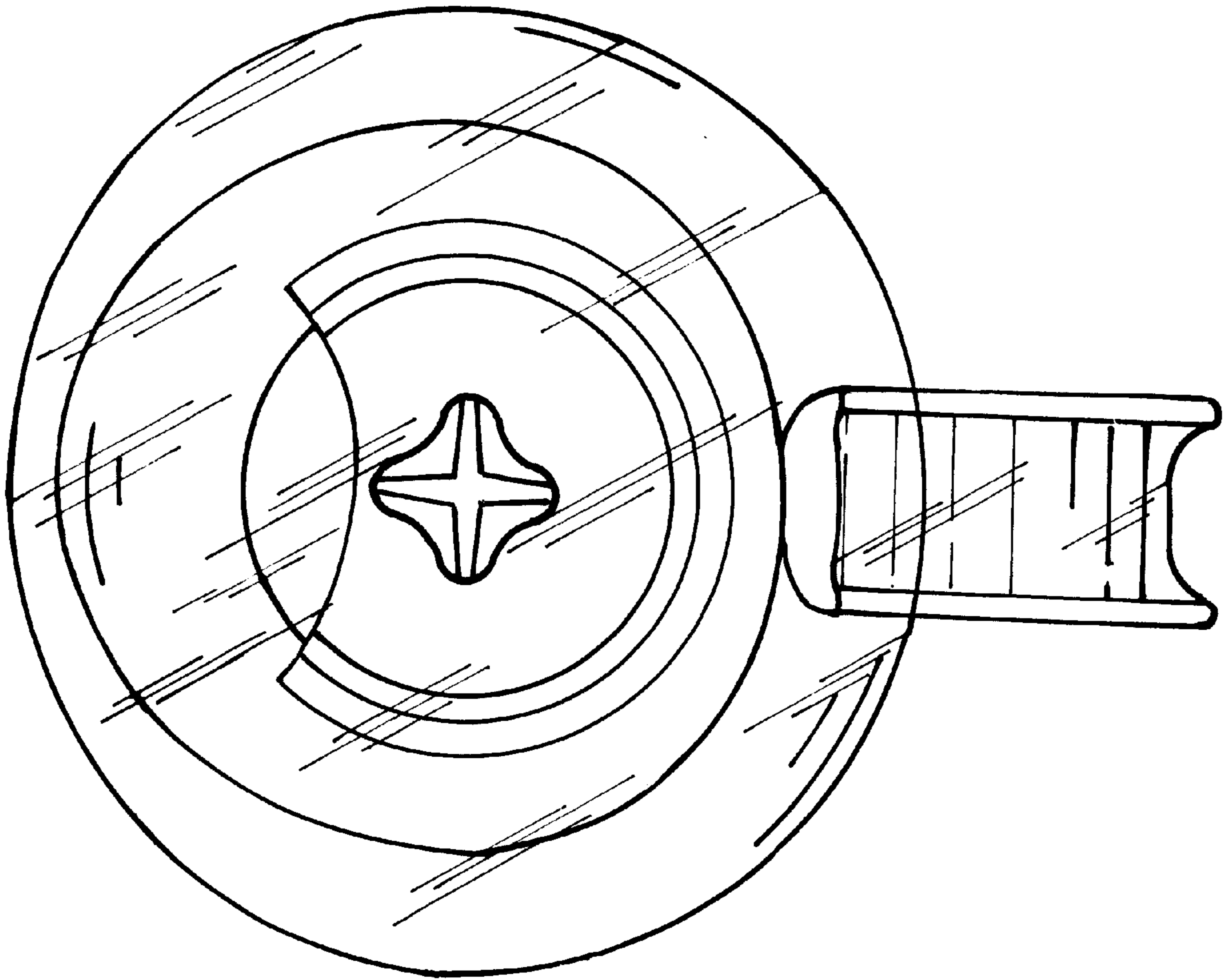


FIG. 2

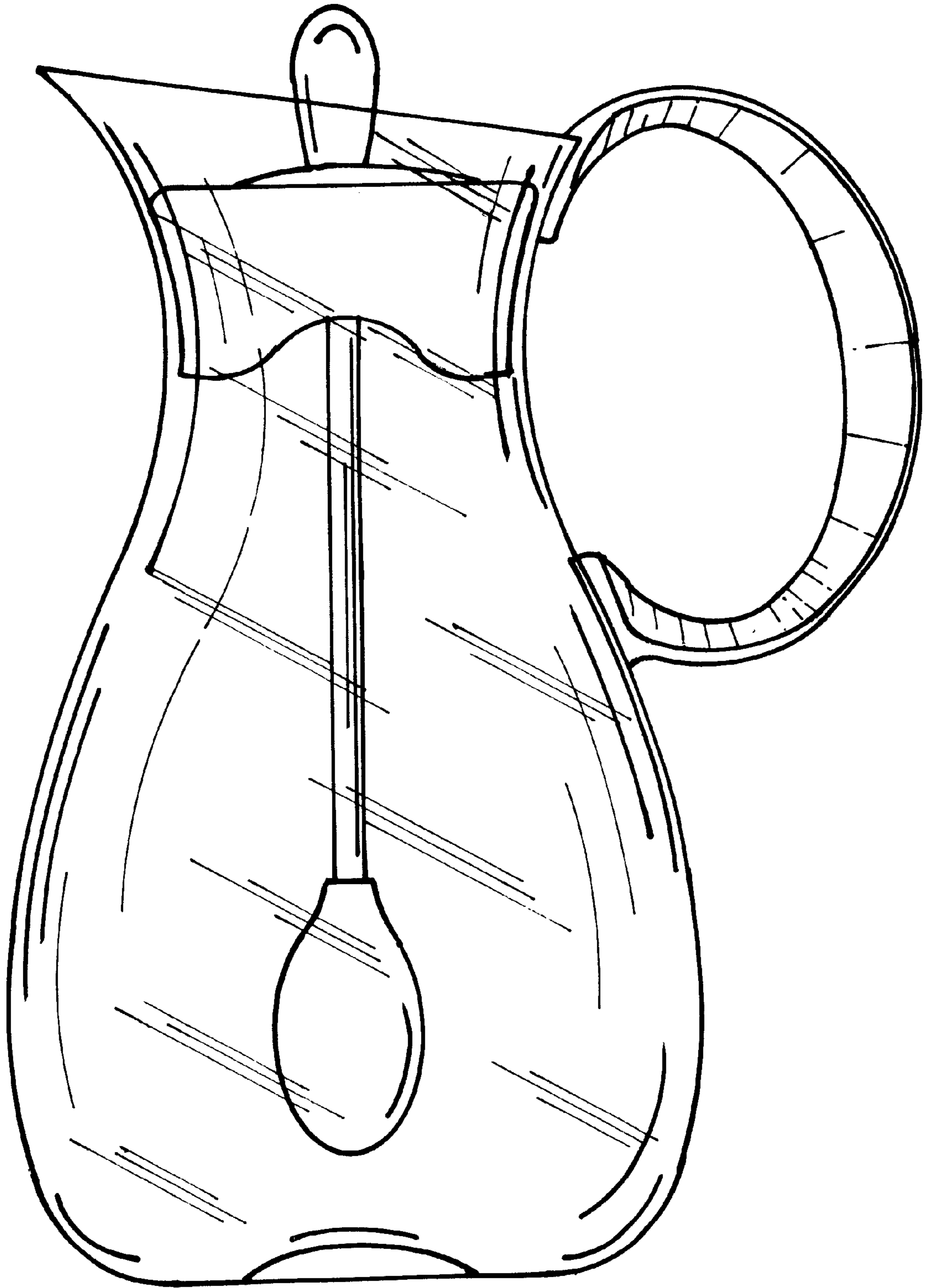


FIG. 3

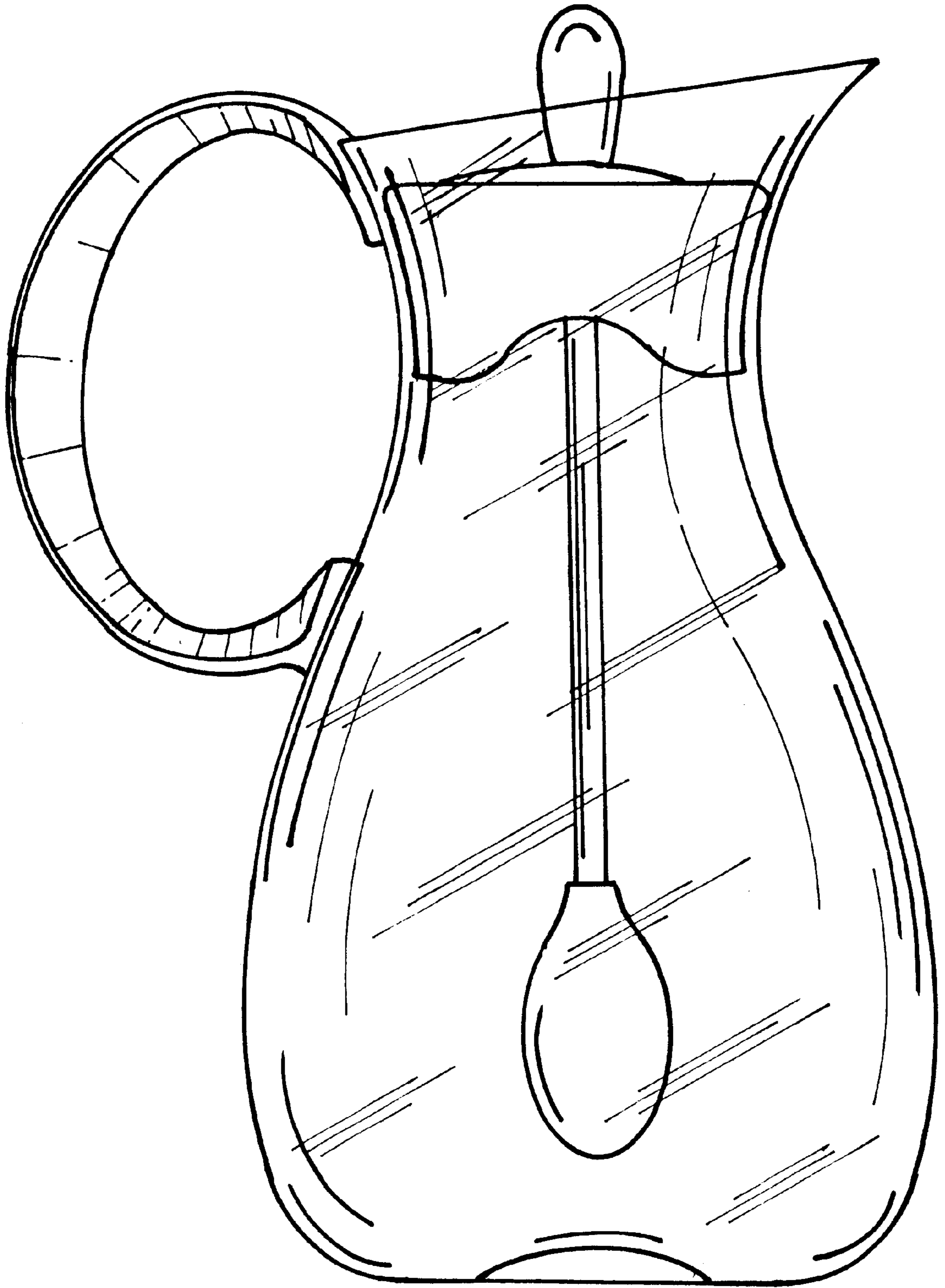


FIG. 4

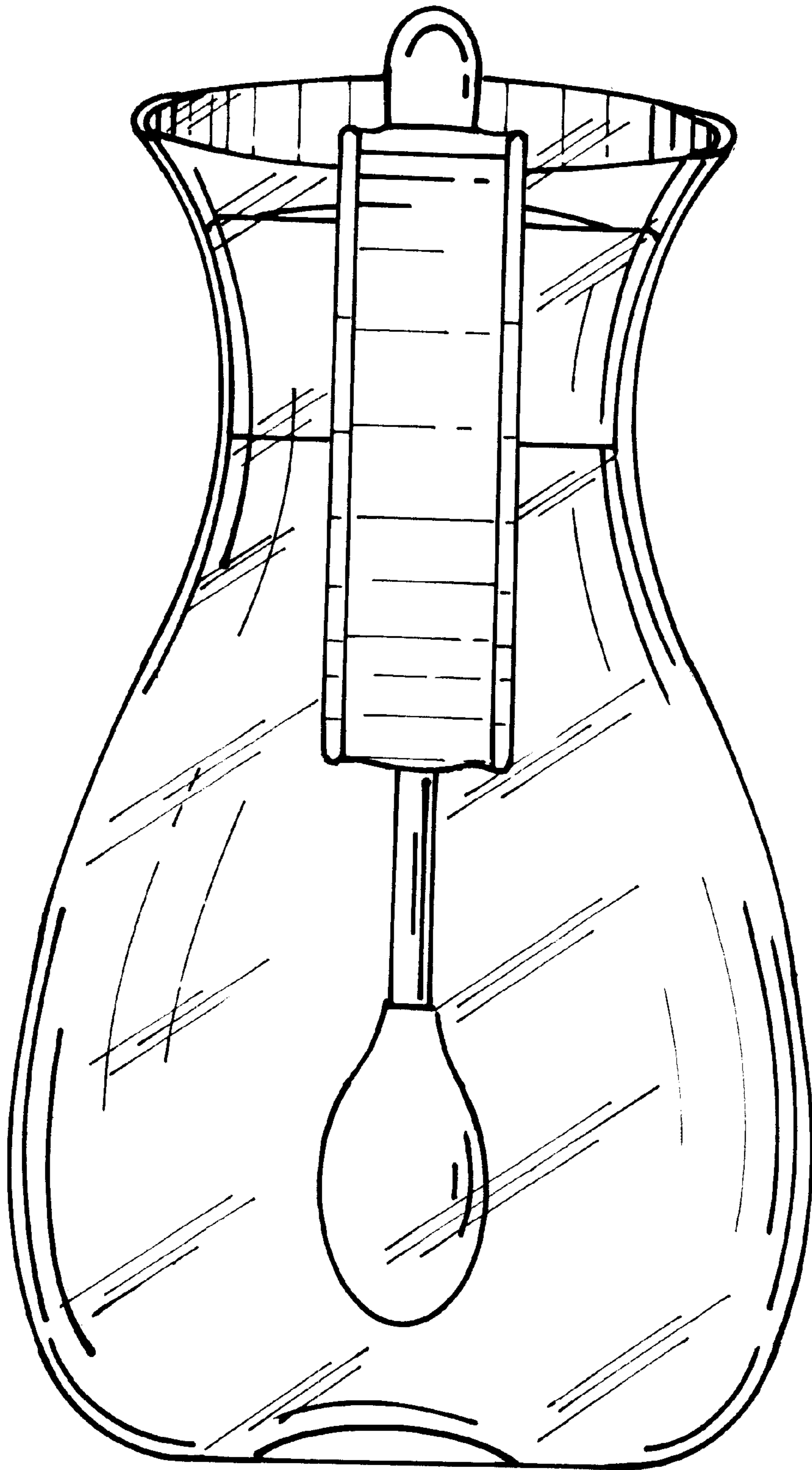


FIG. 5

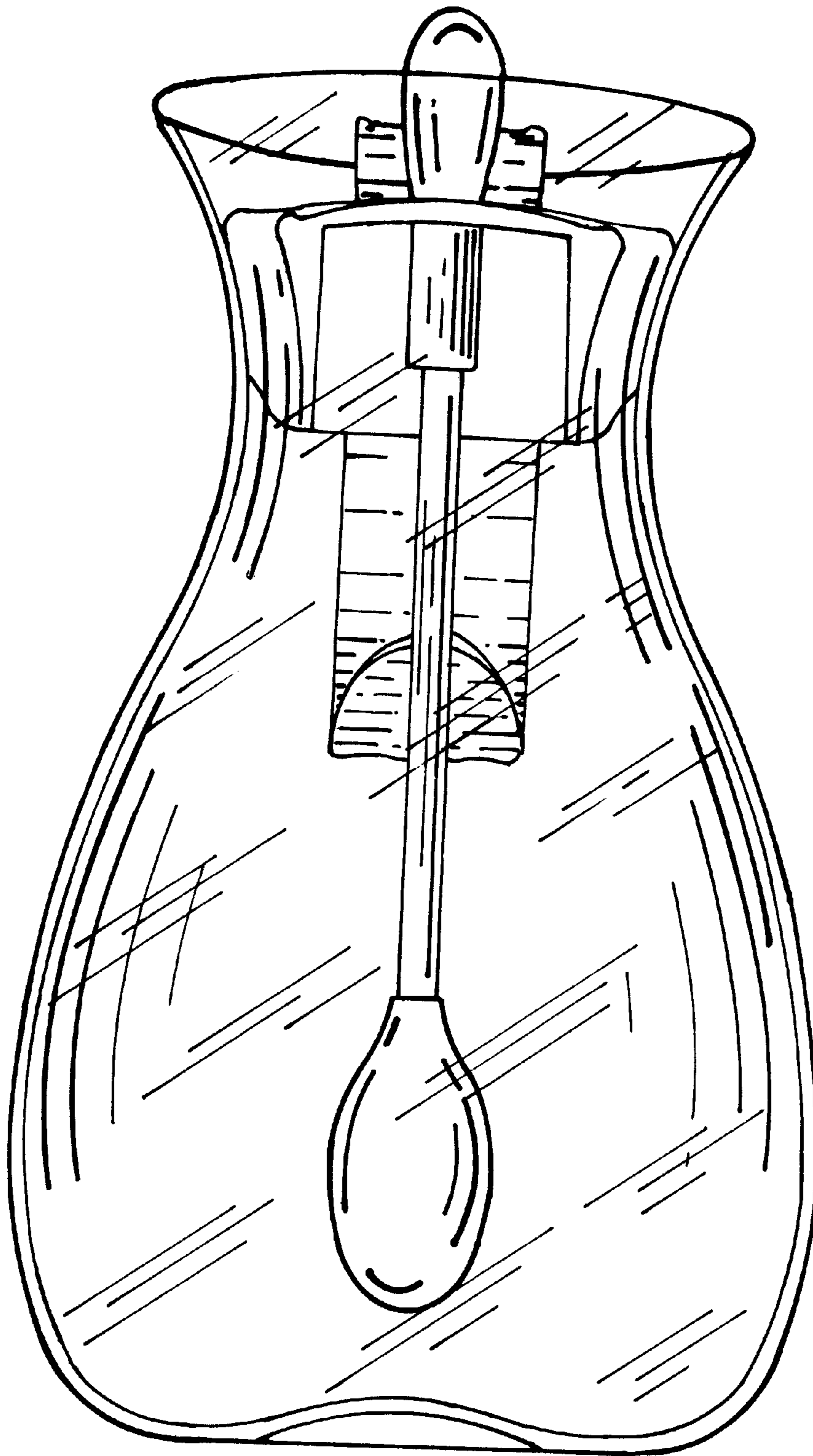


FIG. 6

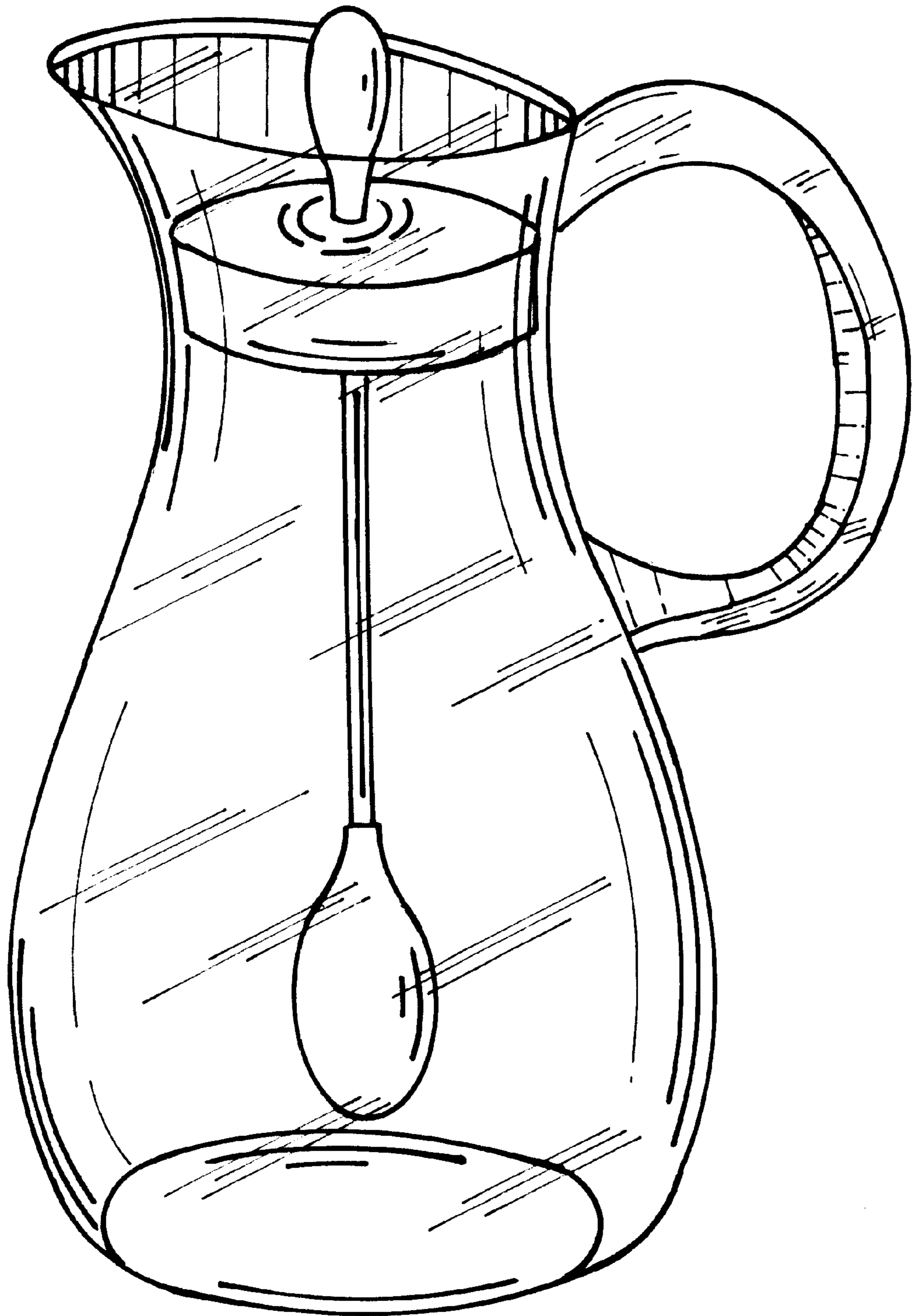


FIG. 7