



US00D435993S

(12) United States Design Patent
Johnson

(10) Patent No.: US D435,993 S

(45) Date of Patent: ** Jan. 9, 2001

(54) PLUMBER'S BODY SUPPORT PAD

**(76) Inventor: Floyd M. Johnson, 1726 E. Iowa Ave.,
St. Paul, MN (US) 55106**

() Term: 14 Years**

(21) Appl. No.: 29/089,312

(22) Filed: Jun. 12, 1998

(51) LOC (7) Cl. 06-09

(52) U.S. Cl. D6/601

**(58) Field of Search D6/595, 596, 601,
D6/480, 484, 485, 349, 406.1, 406.3, 406.5;
5/630, 634, 636, 648, 652, 653, 655.3,
655.9, 656; 108/43; 297/423.41**

(56) References Cited

U.S. PATENT DOCUMENTS

- D. 156,324 * 12/1949 Dastugue D6/349
- D. 268,796 * 5/1983 Kola D6/349

OTHER PUBLICATIONS

U.S. Trademark Registration No. 1,898,956, Issued Jun. 13, 1995.

* cited by examiner

Primary Examiner—Janice E. Seeger

(74) Attorney, Agent, or Firm—Burd, Bartz & Gutenkauf

(57) CLAIM

The ornamental design of a plumber's body support pad, as shown and described.

DESCRIPTION

FIG. 1 is a perspective view of a plumber's body support pad of my new design;

FIG. 2 is a top plan view thereof;

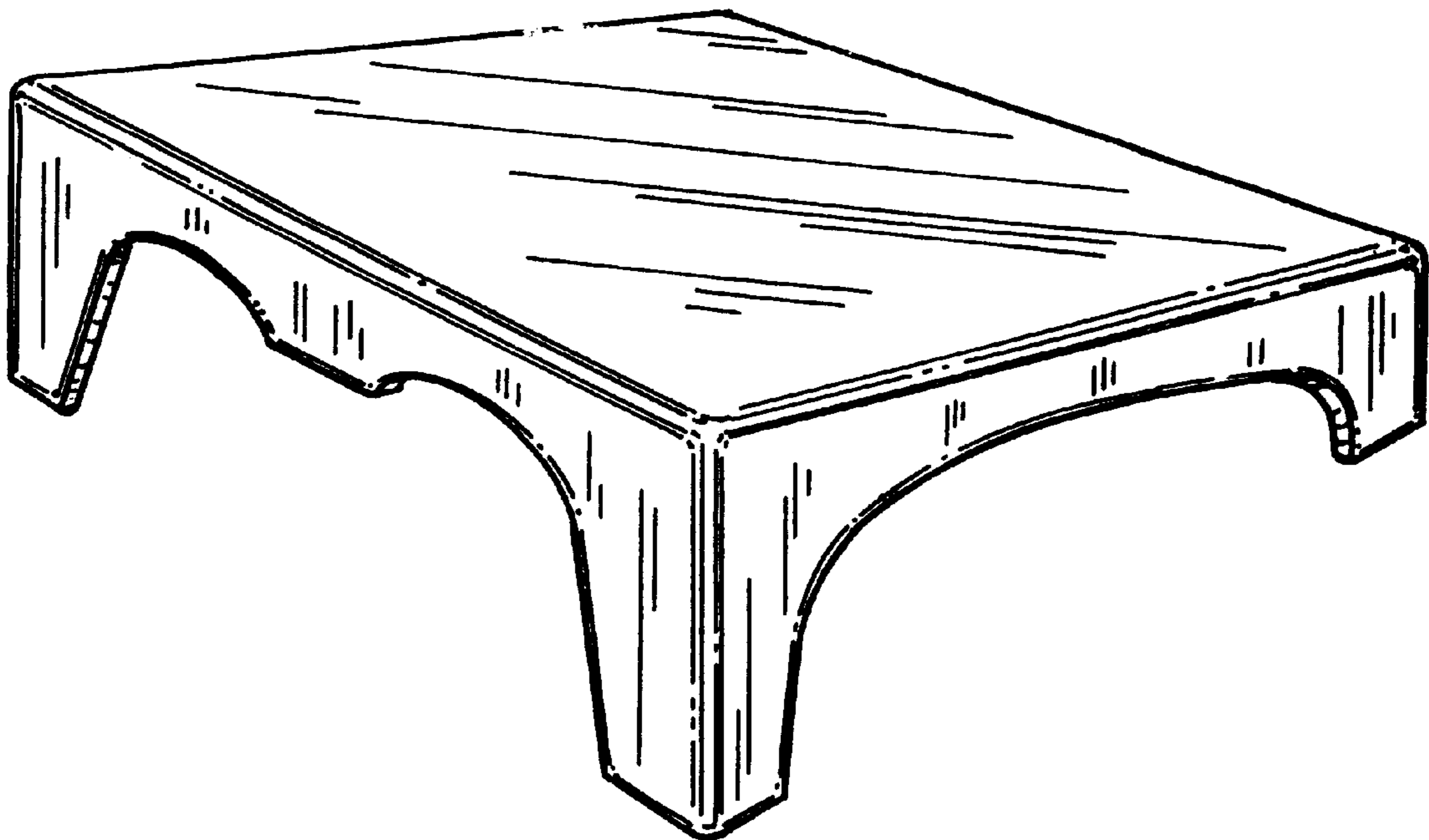
FIG. 3 is a front elevational view thereof;

FIG. 4 is a rear elevational view thereof;

FIG. 5 is a side elevational view thereof, the opposite side being a mirror image of FIG. 5; and,

FIG. 6 is a bottom plan view thereof.

1 Claim, 2 Drawing Sheets



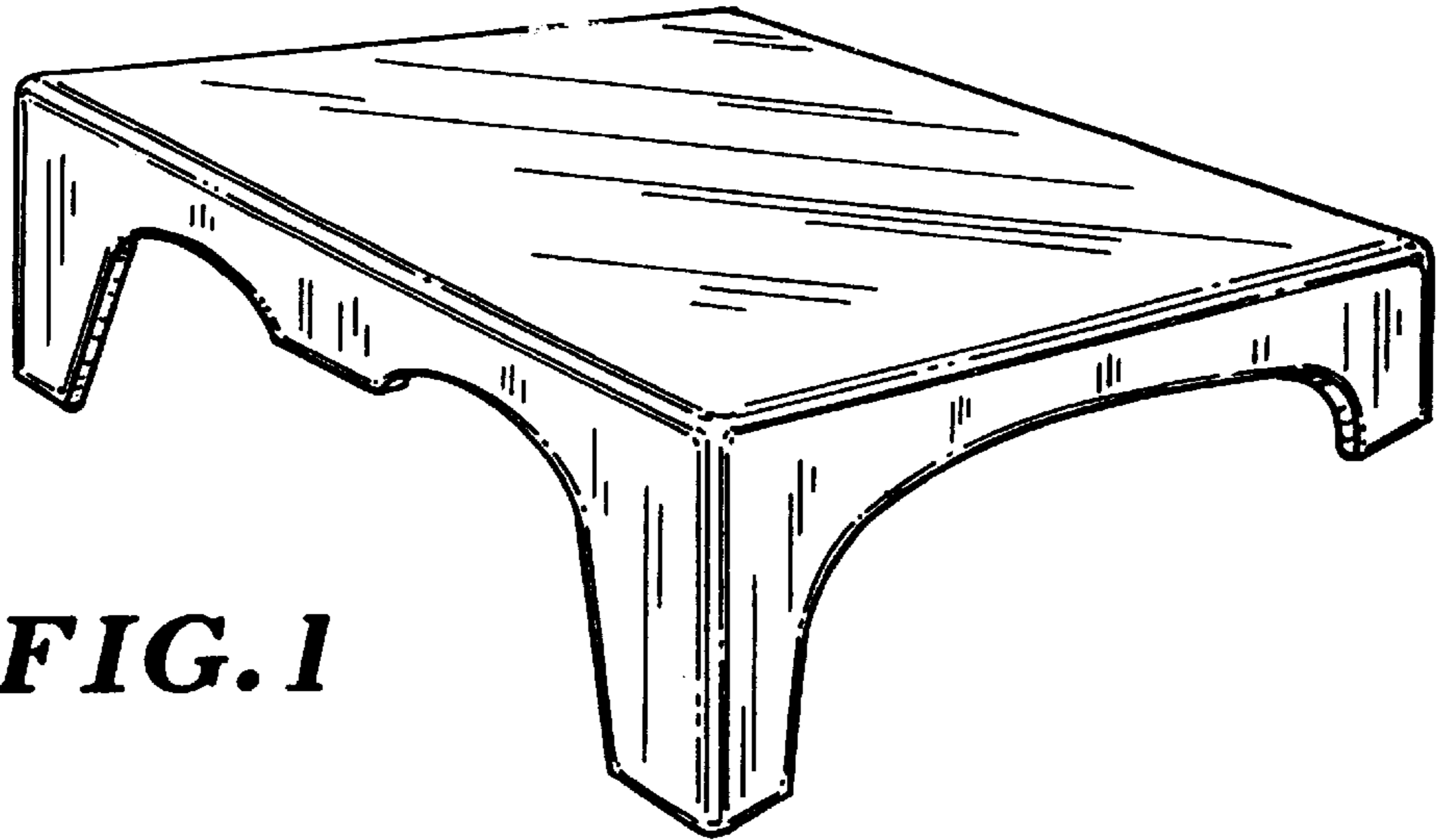


FIG. 1

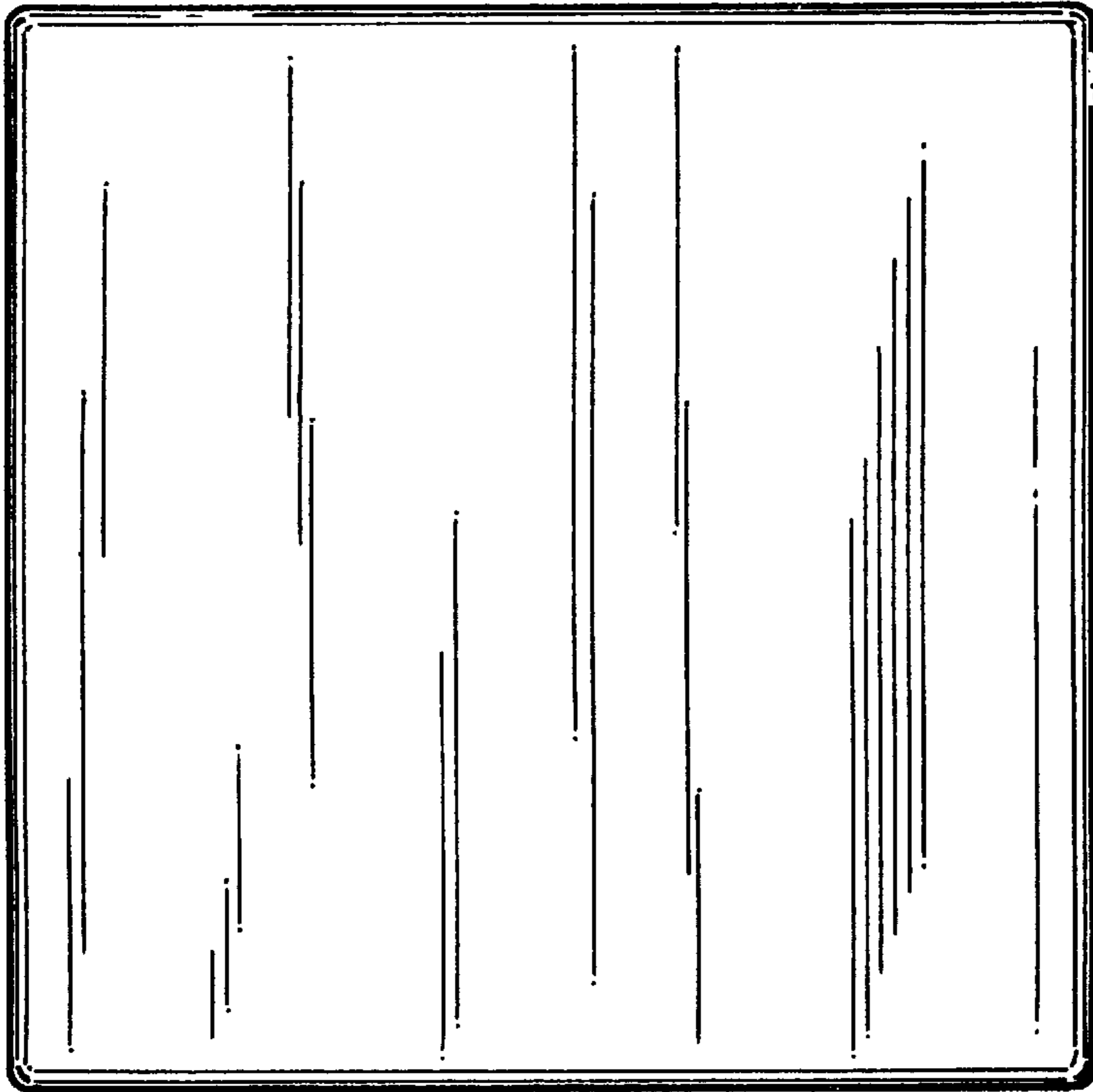


FIG. 2

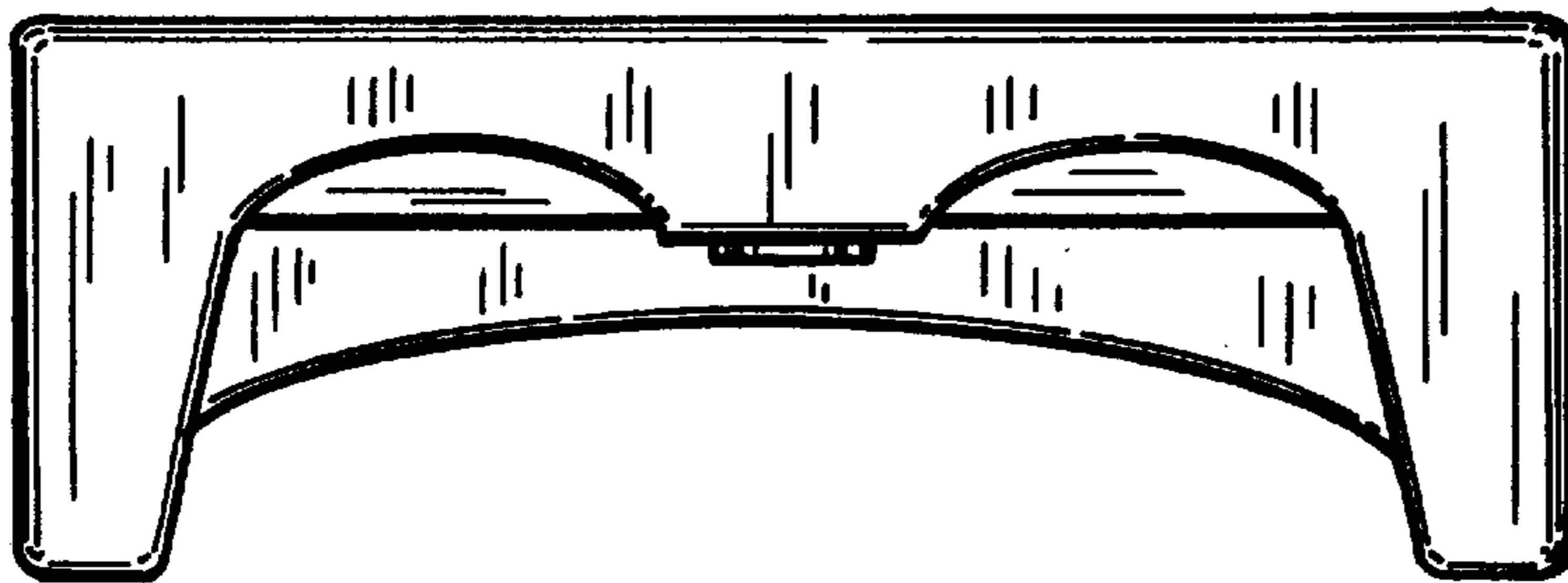


FIG. 3

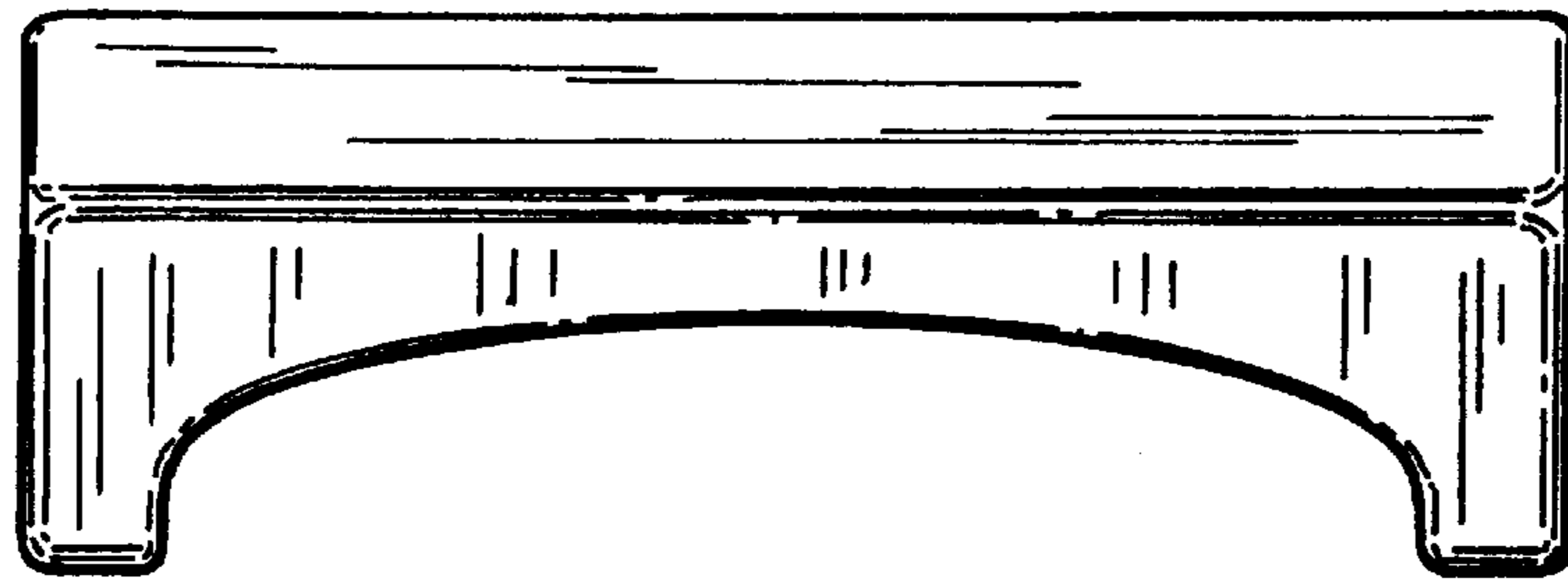


FIG. 4

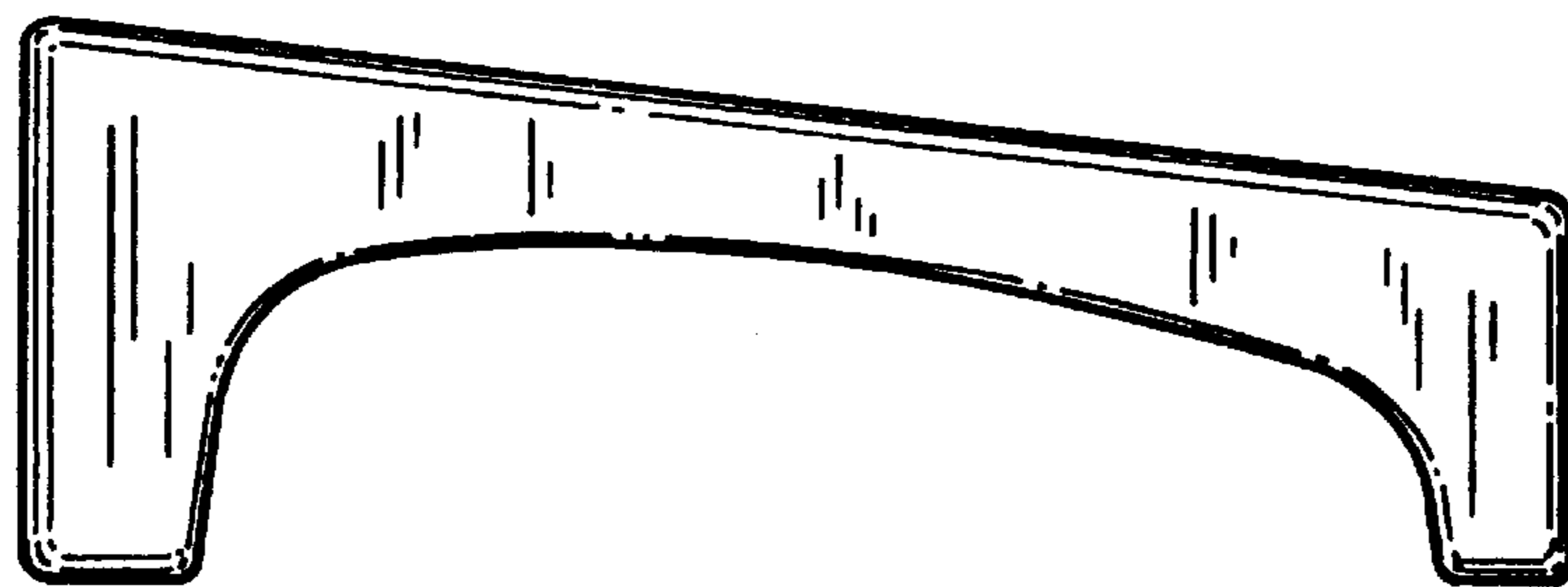


FIG. 5

FIG. 6

