



US00D435991S

(12) **United States Design Patent**
Handfield et al.

(10) **Patent No.:** **US D435,991 S**

(45) **Date of Patent:** **** Jan. 9, 2001**

(54) **PILL DISPENSER**

(76) Inventors: **Michael Handfield; Helene Laliberte,**
both of 910 Sherwood Ct., Rochester,
MI (US) 48037

(*) Notice: This patent is subject to a terminal disclaimer.

(**) Term: **14 Years**

(21) Appl. No.: **29/119,318**

(22) Filed: **Feb. 25, 2000**

(51) **LOC (7) Cl.** **06-99**

(52) **U.S. Cl.** **D6/515**

(58) **Field of Search** D9/337-339, 341,
D9/414; D6/515, 517; D7/309, 589, 590;
221/66, 208, 255, 256, 282, 285, 286; 99/279

(56) **References Cited**

U.S. PATENT DOCUMENTS

- D. 185,626 * 7/1959 Craig et al. D6/515
- D. 289,738 * 5/1987 McLaughlin et al. D9/414
- D. 365,962 * 1/1996 Amundsen et al. D7/589

- D. 414,969 * 10/1999 Marino et al. D6/515
- D. 424,850 * 5/2000 Handfield D6/515

* cited by examiner

Primary Examiner—Ted Shooman

Assistant Examiner—Carol Rademaker

(74) *Attorney, Agent, or Firm*—Brooks & Kushman P.C.

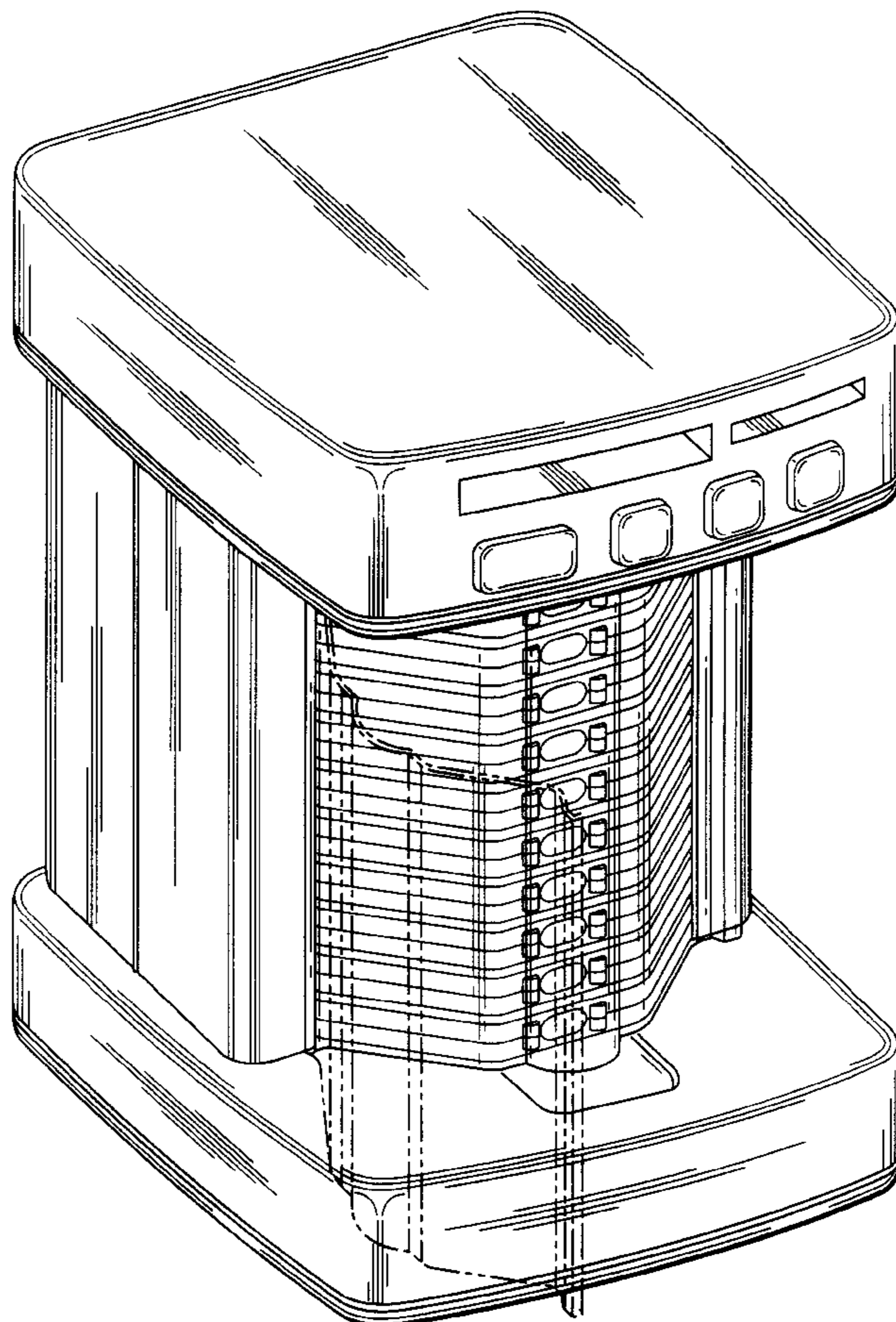
(57) **CLAIM**

The ornamental design for a pill dispenser, as shown and described.

DESCRIPTION

FIG. 1 is a perspective view of our pill dispenser;
 FIG. 2 is a front side elevational view, on a reduced scale;
 FIG. 3 is a rear side elevational view, on a reduced scale;
 FIG. 4 is a top plan view, on a reduced scale;
 FIG. 5 is a bottom view, on a reduced scale;
 FIG. 6 is a left side elevational view, on a reduced scale;
 FIG. 7 is a right side elevational view, on a reduced scale;
 and,
 FIG. 8 is a perspective view with the door shown in an open position.

1 Claim, 5 Drawing Sheets



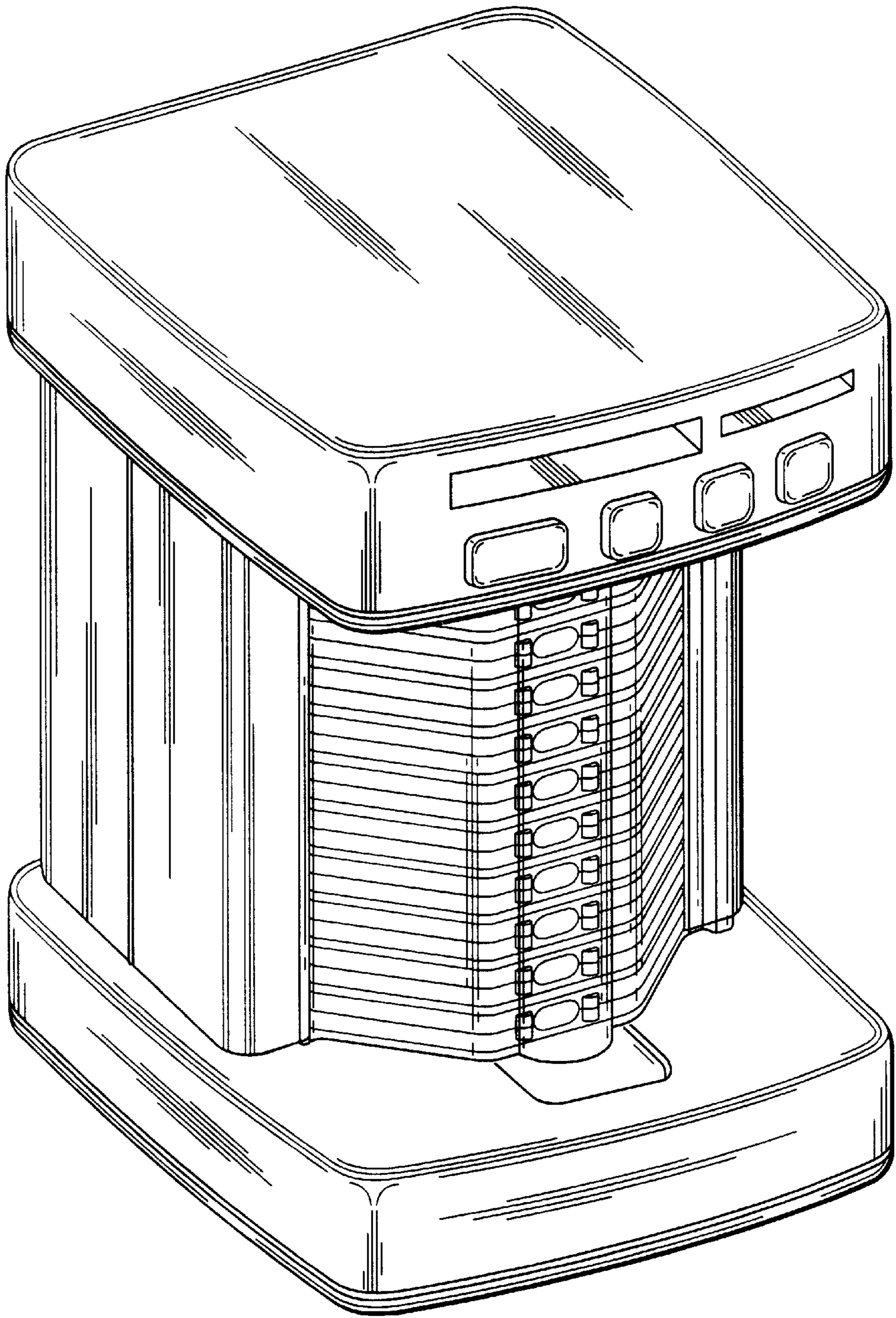


Fig. 1

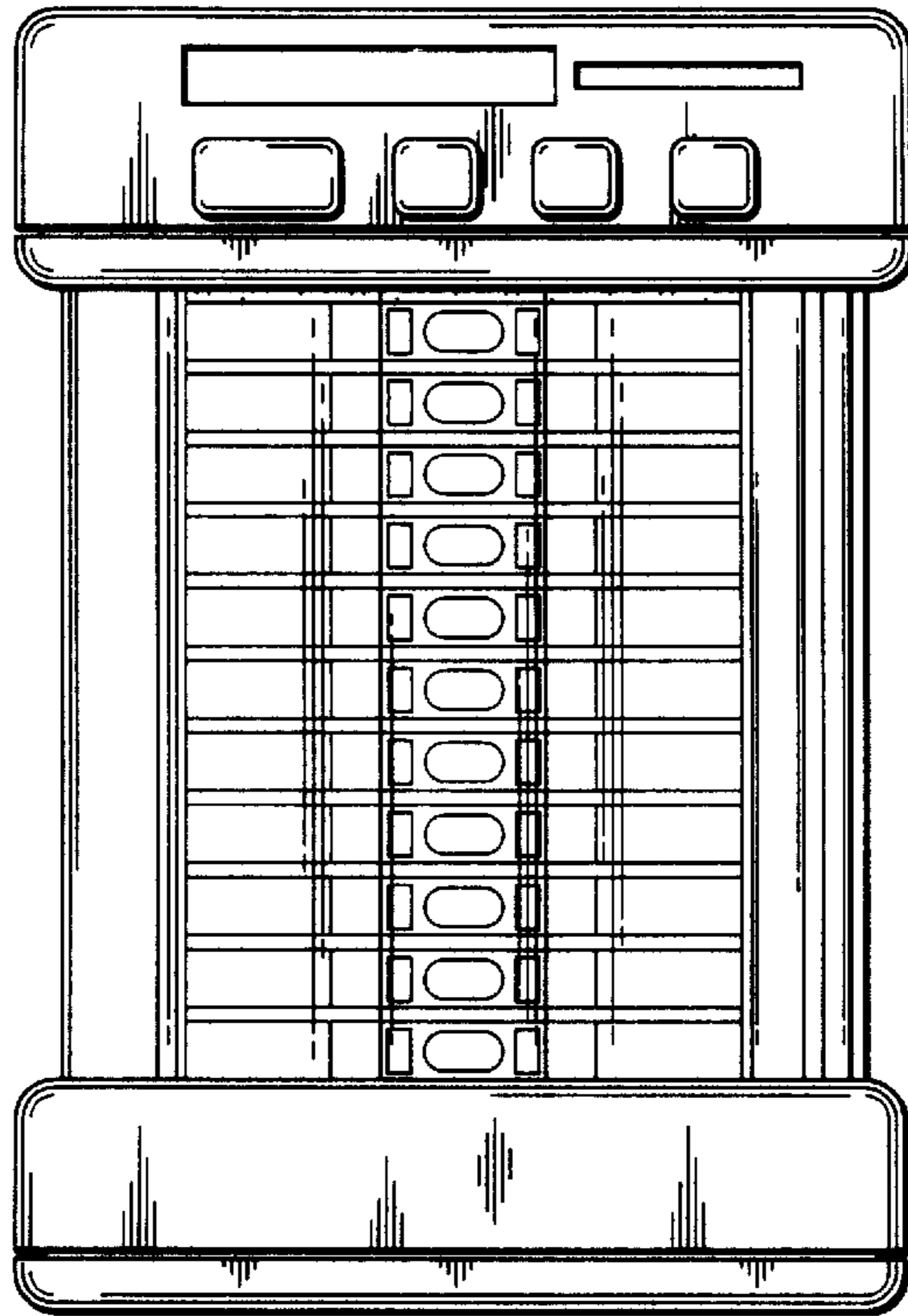


Fig. 2

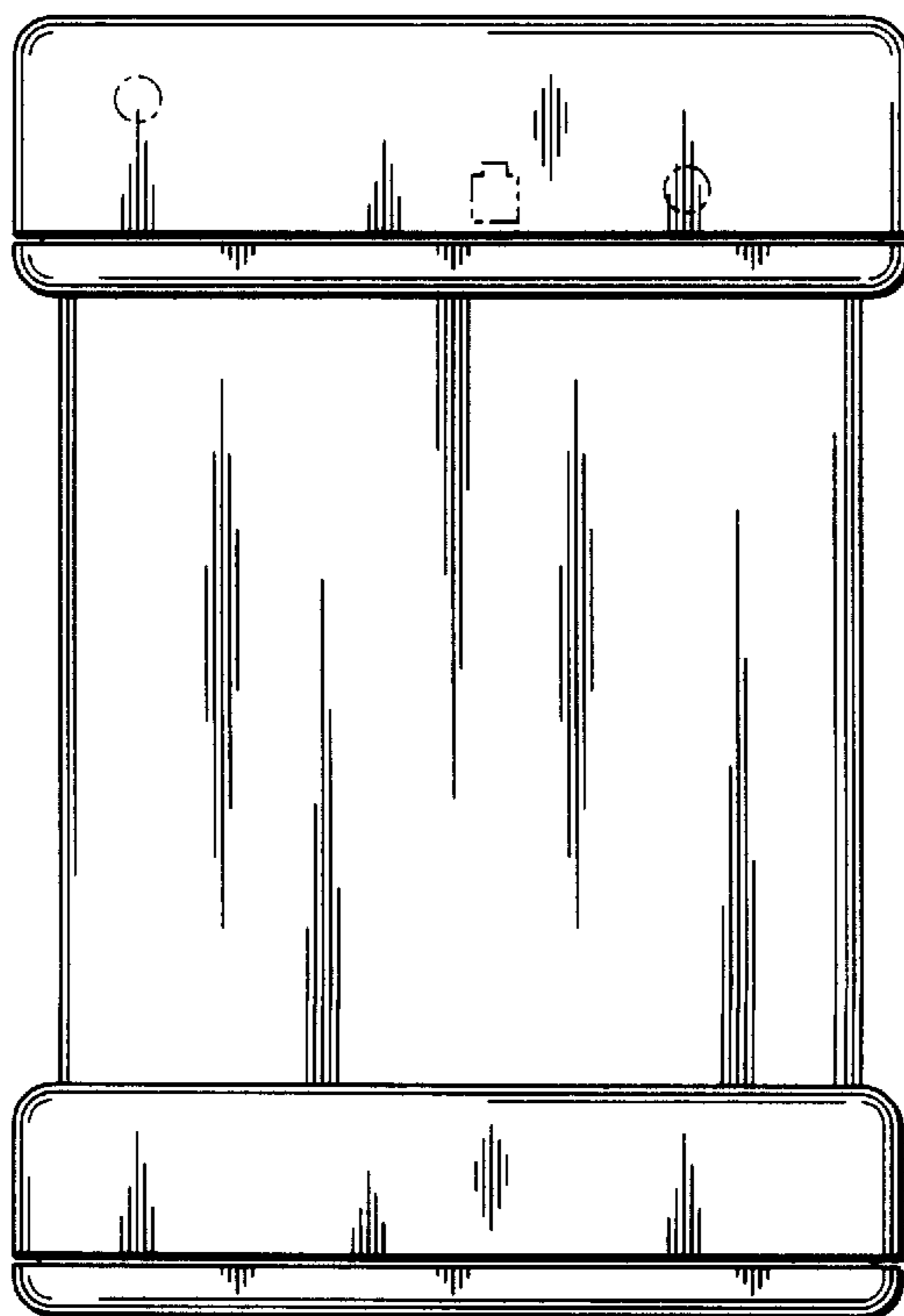


Fig. 3

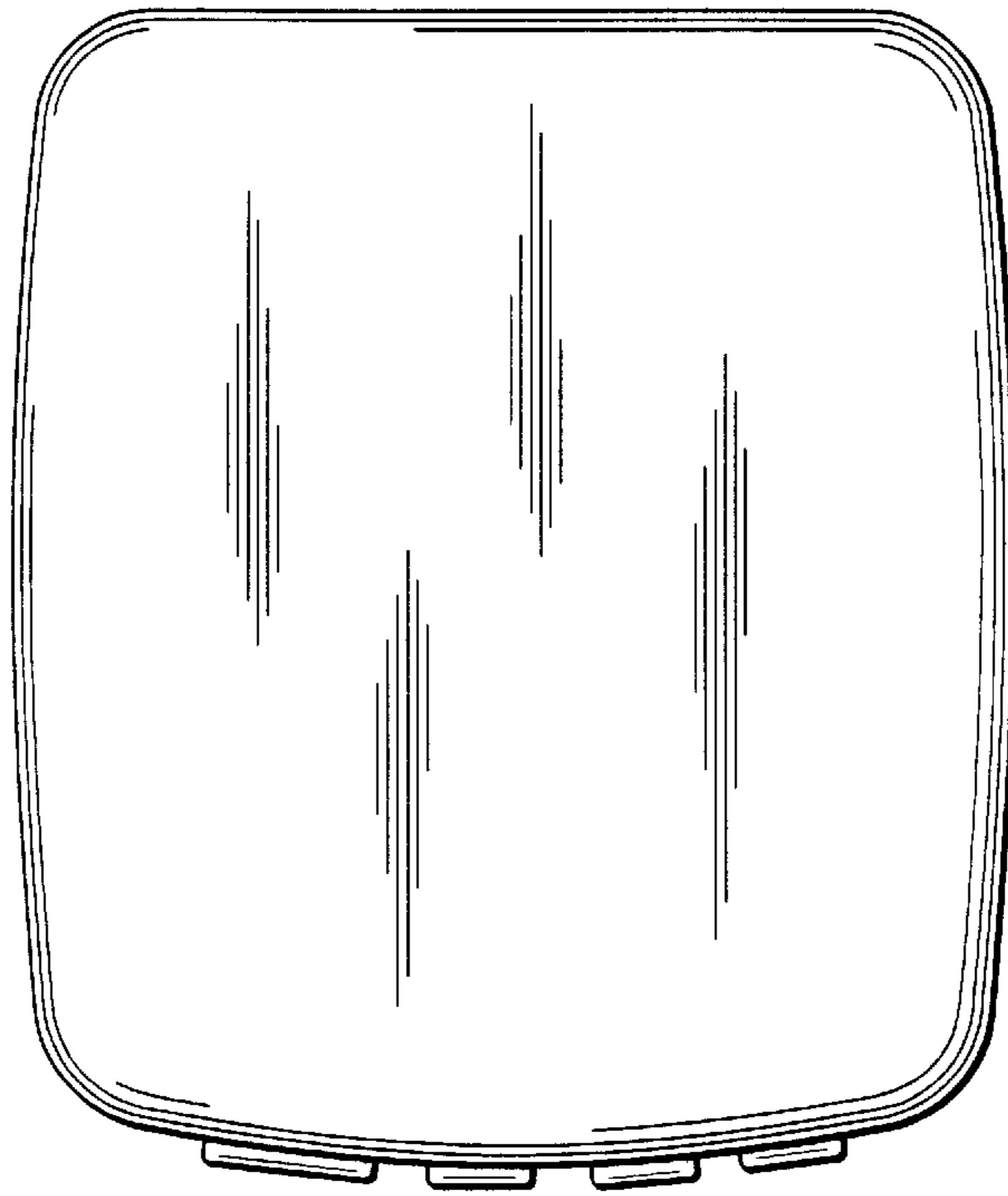


Fig. 4

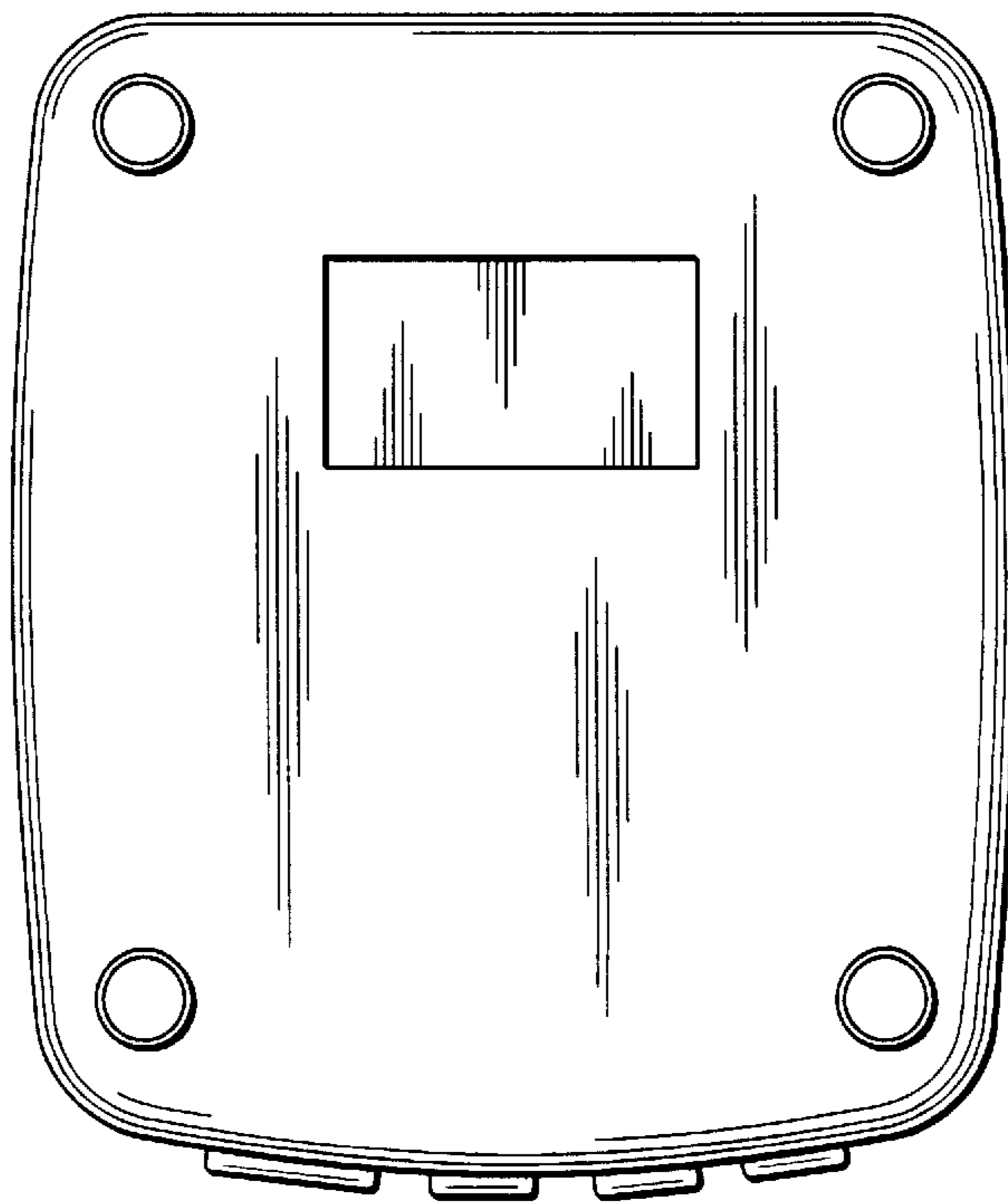


Fig. 5

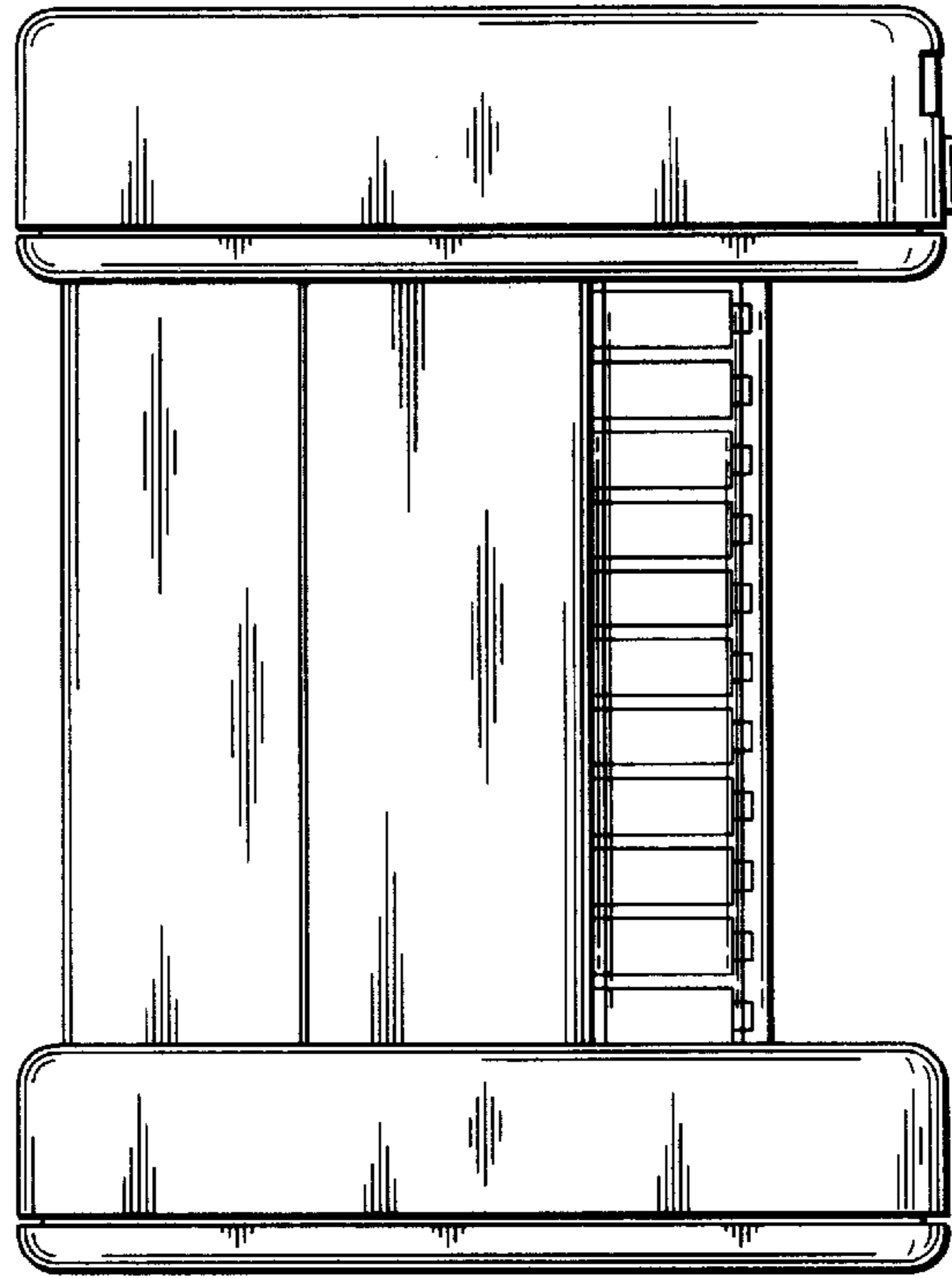


Fig. 6

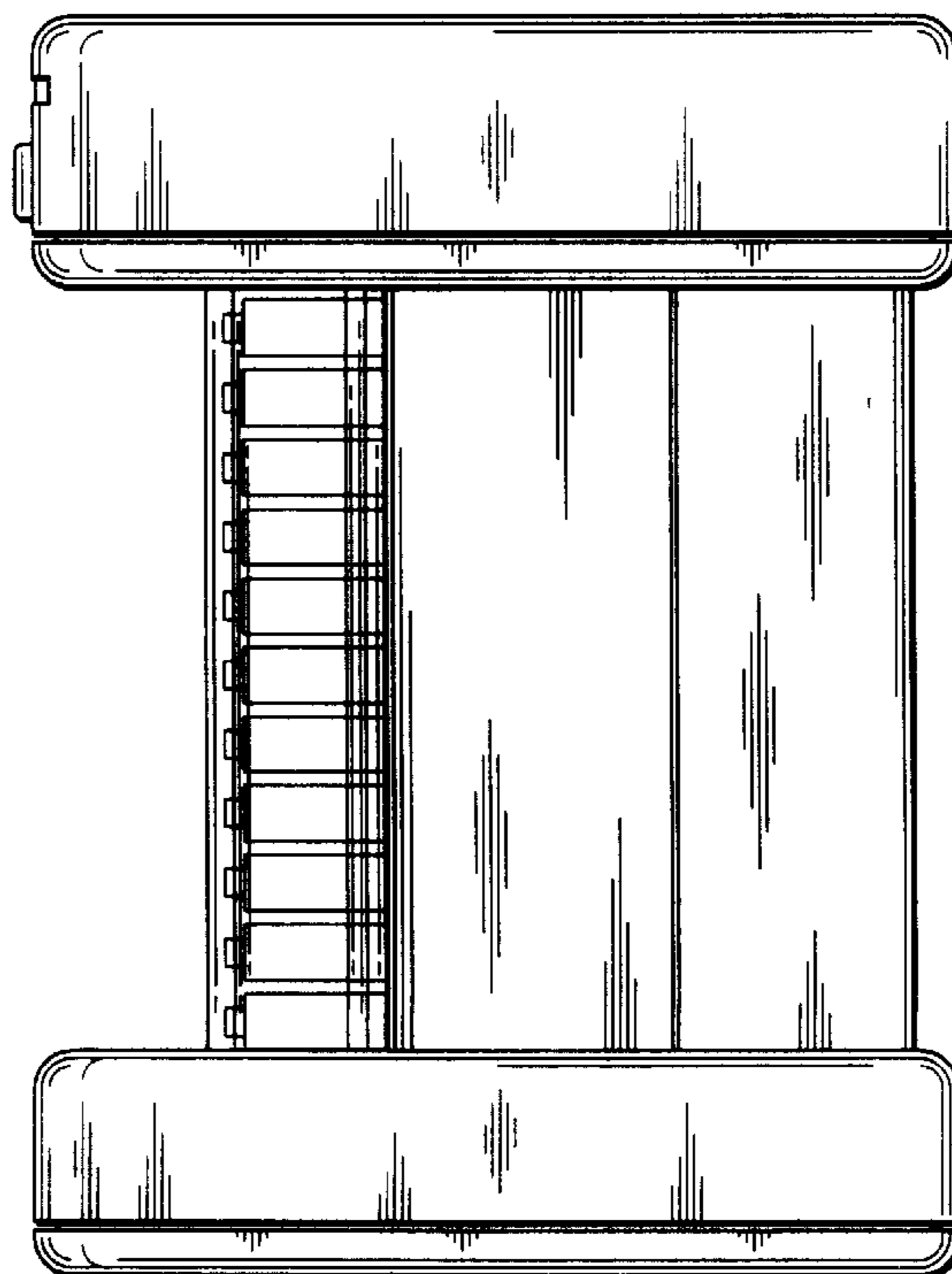


Fig. 7

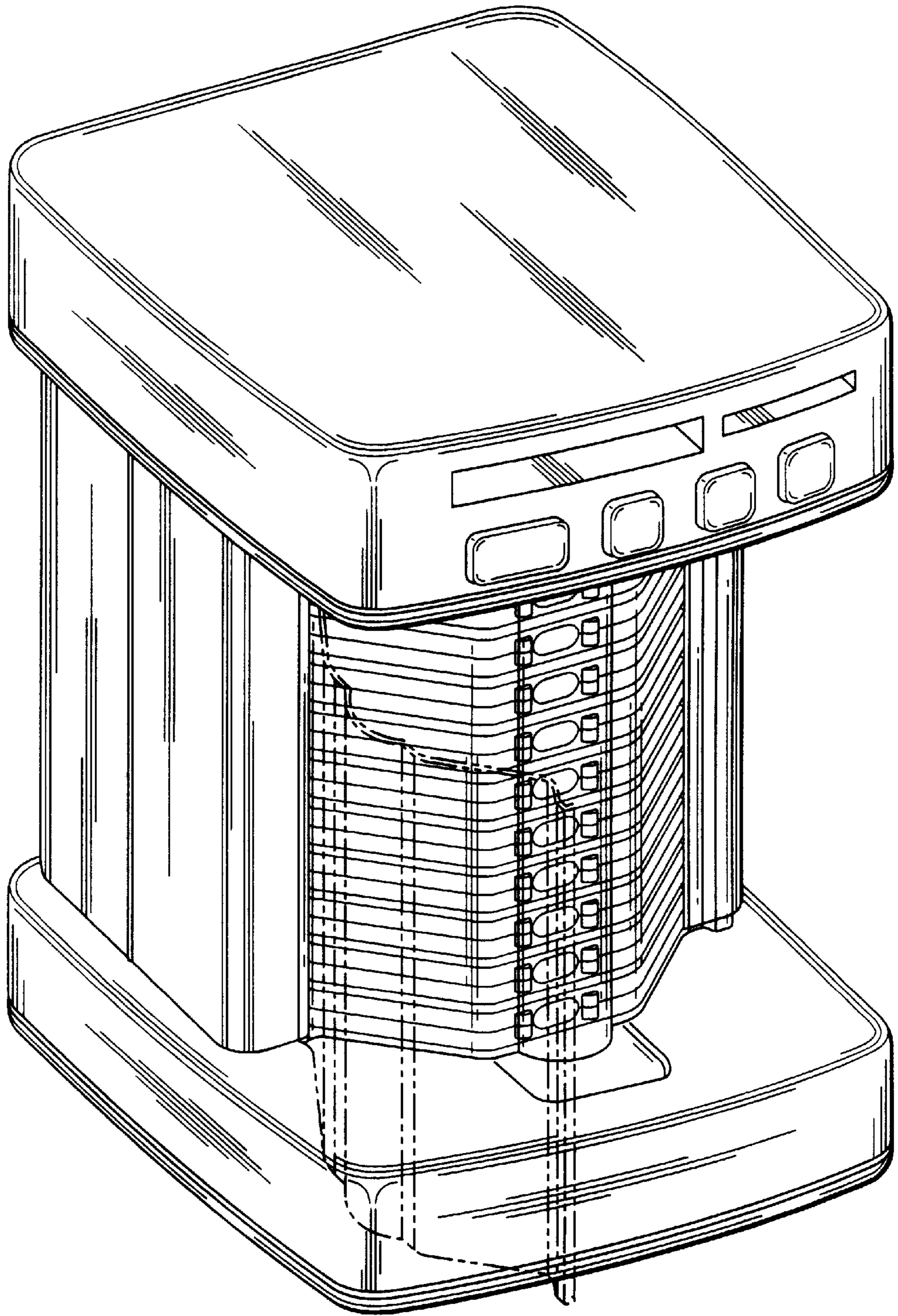


Fig. 8