



US00D435989S

(12) **United States Design Patent**  
**Hunt**

(10) **Patent No.:** **US D435,989 S**

(45) **Date of Patent:** **\*\* Jan. 9, 2001**

(54) **DESK MOUNTABLE PULL OUT SHELF FOR STORING PAPER SHEETS OR THE LIKE**

(76) **Inventor:** **Thomas A. Hunt**, 7002 Via del Charro  
P.O. Box 5005-48, Rancho Santa Fe,  
CA (US) 92067

(\*\*) **Term:** **14 Years**

(21) **Appl. No.:** **29/096,092**

(22) **Filed:** **Nov. 4, 1998**

(51) **LOC (7) Cl.** ..... **06-06**

(52) **U.S. Cl.** ..... **D6/511**

(58) **Field of Search** ..... D6/422-446, 491,  
D6/510, 511; 312/194-196, 223.3, 339,  
334.18

(56) **References Cited**

**U.S. PATENT DOCUMENTS**

D. 46,436	*	9/1914	Karpeles	.....	D6/436
D. 375,857	*	11/1996	De Blois	.....	D6/511
D. 393,386	*	4/1998	Pasalich	.....	D6/511
D. 395,369	*	6/1998	Whittington	.....	D6/511
5,704,698	*	1/1998	Lin	.....	312/223.3 X

\* cited by examiner

*Primary Examiner*—Cathron B. Matta

(74) *Attorney, Agent, or Firm*—Foley & Lardner; Bernard L. Kleinke

(57) **CLAIM**

The ornamental design for a desk mountable pull out shelf for storing paper sheets or the like, as shown and described.

**DESCRIPTION**

FIG. 1 is a pictorial view of a desk mountable pull out shelf for storing paper sheets or the like illustrating the top, left and front sides thereof;

FIG. 2 is an enlarged elevational view of the right side of the desk mountable pull out shelf for storing paper sheets or the like of FIG. 1, the left side thereof being the mirror image of the right side illustrated in FIG. 2;

FIG. 3 is an enlarged elevational view of the front side of the desk mountable pull out shelf for storing paper sheets or the like of FIG. 1;

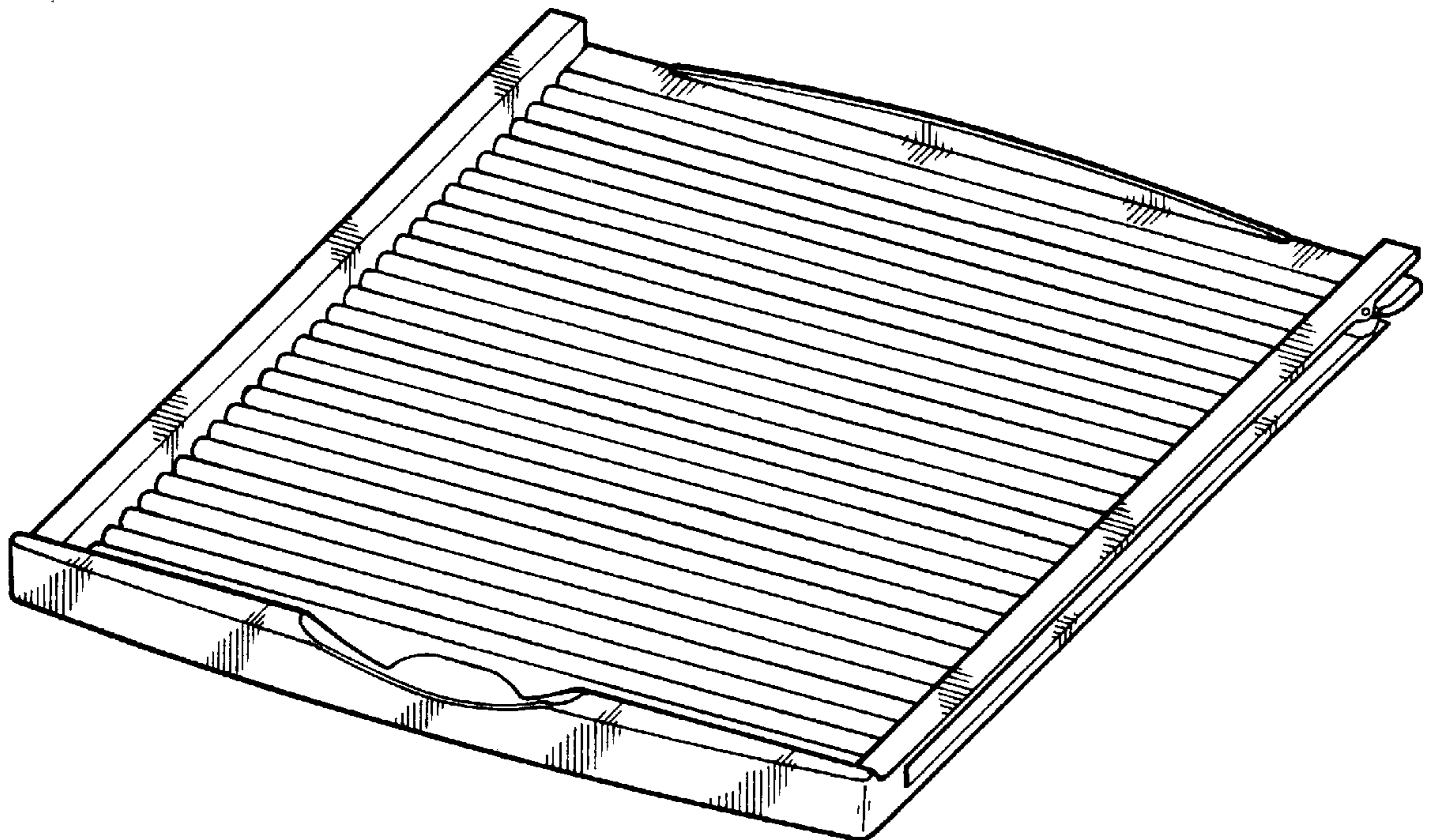
FIG. 4 is an enlarged elevational view of the rear side of the desk mountable pull out shelf for storing paper sheets or the like of FIG. 1;

FIG. 5 is an enlarged plan view of the top side of the desk mountable pull out shelf for storing paper sheets or the like of FIG. 1;

FIG. 6 is an enlarged plan view of the bottom side of the desk mountable pull out shelf for storing paper sheets or the like of FIG. 1; and,

FIG. 7 is a pictorial view of a desk mountable pull out shelf for storing paper sheets or the like illustrating the bottom, right and front sides thereof.

**1 Claim, 3 Drawing Sheets**



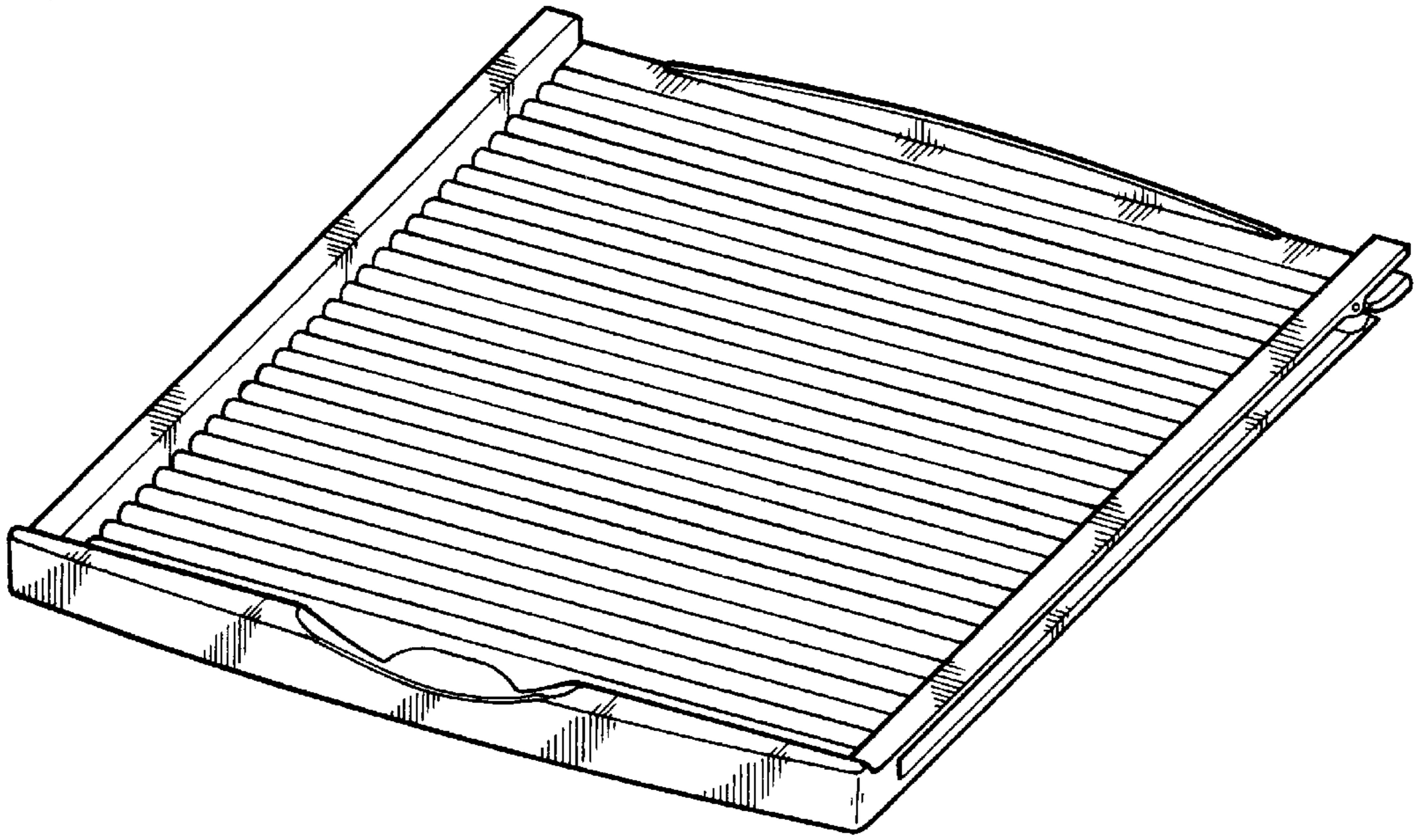


FIG. 1

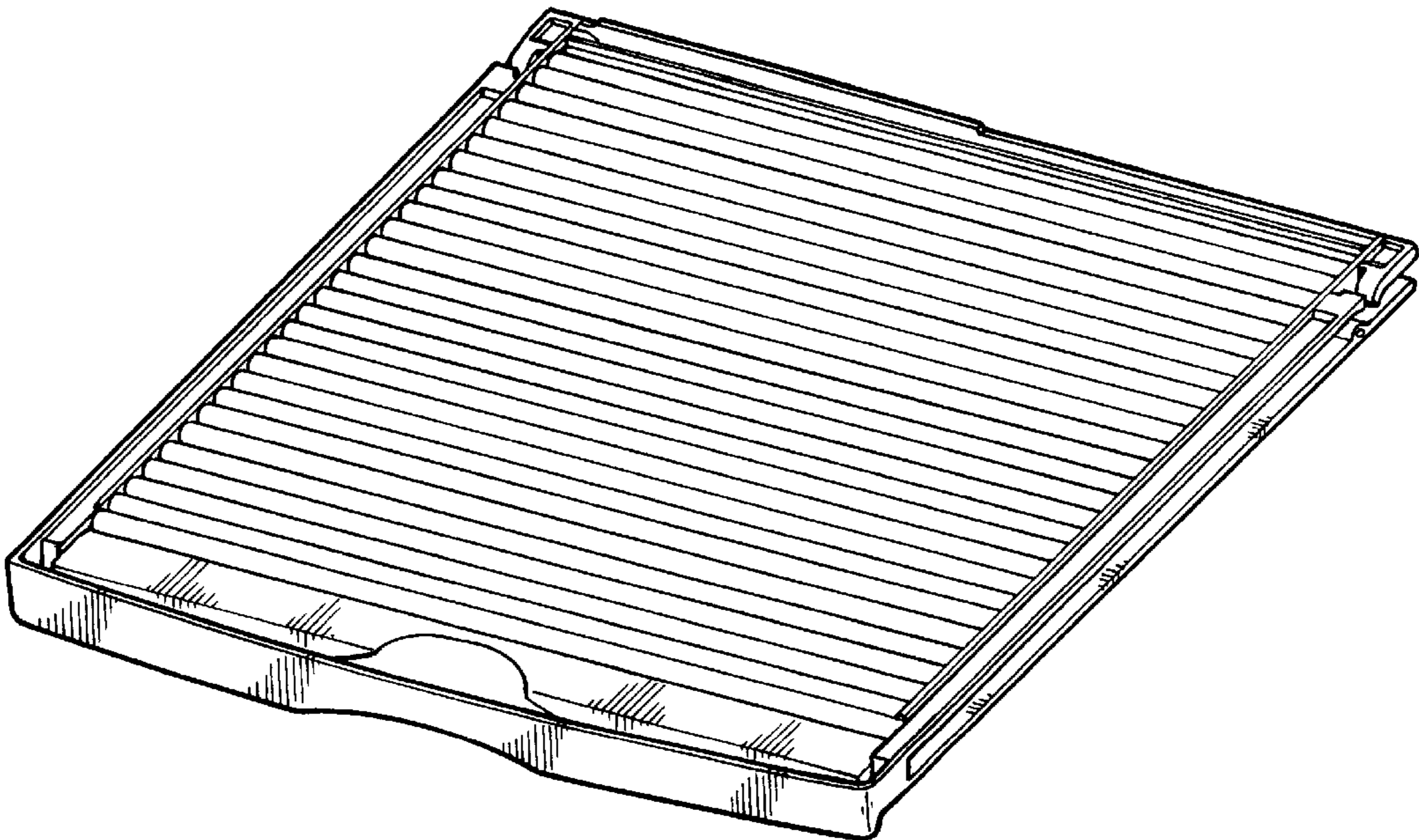


FIG. 7

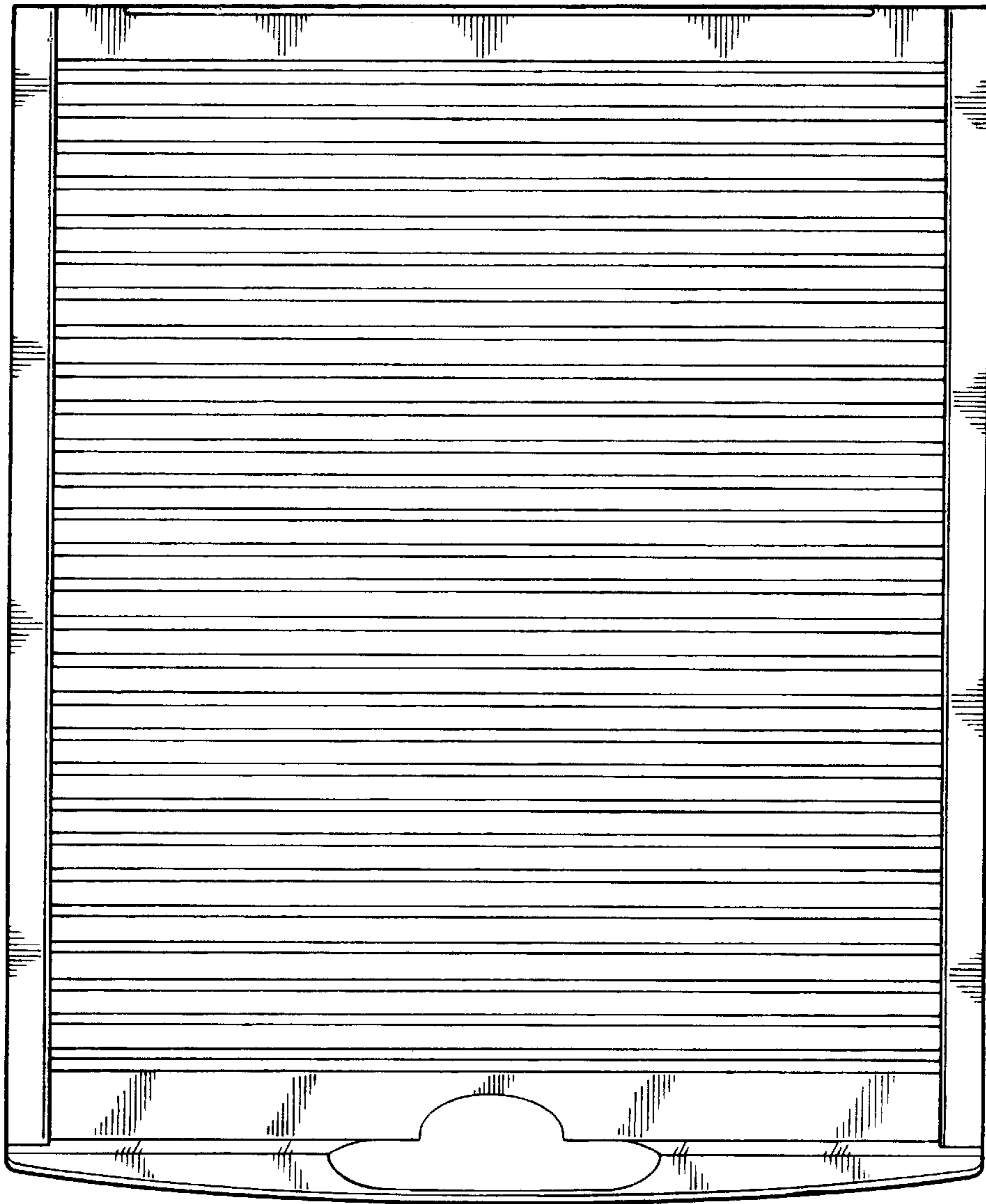


FIG. 5



FIG. 4

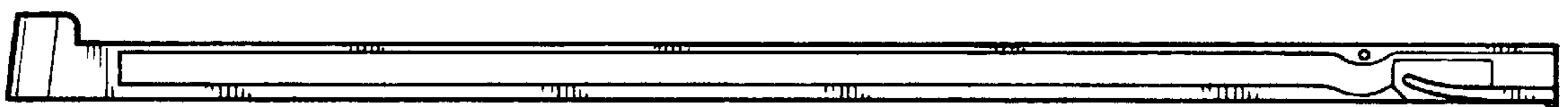


FIG. 2

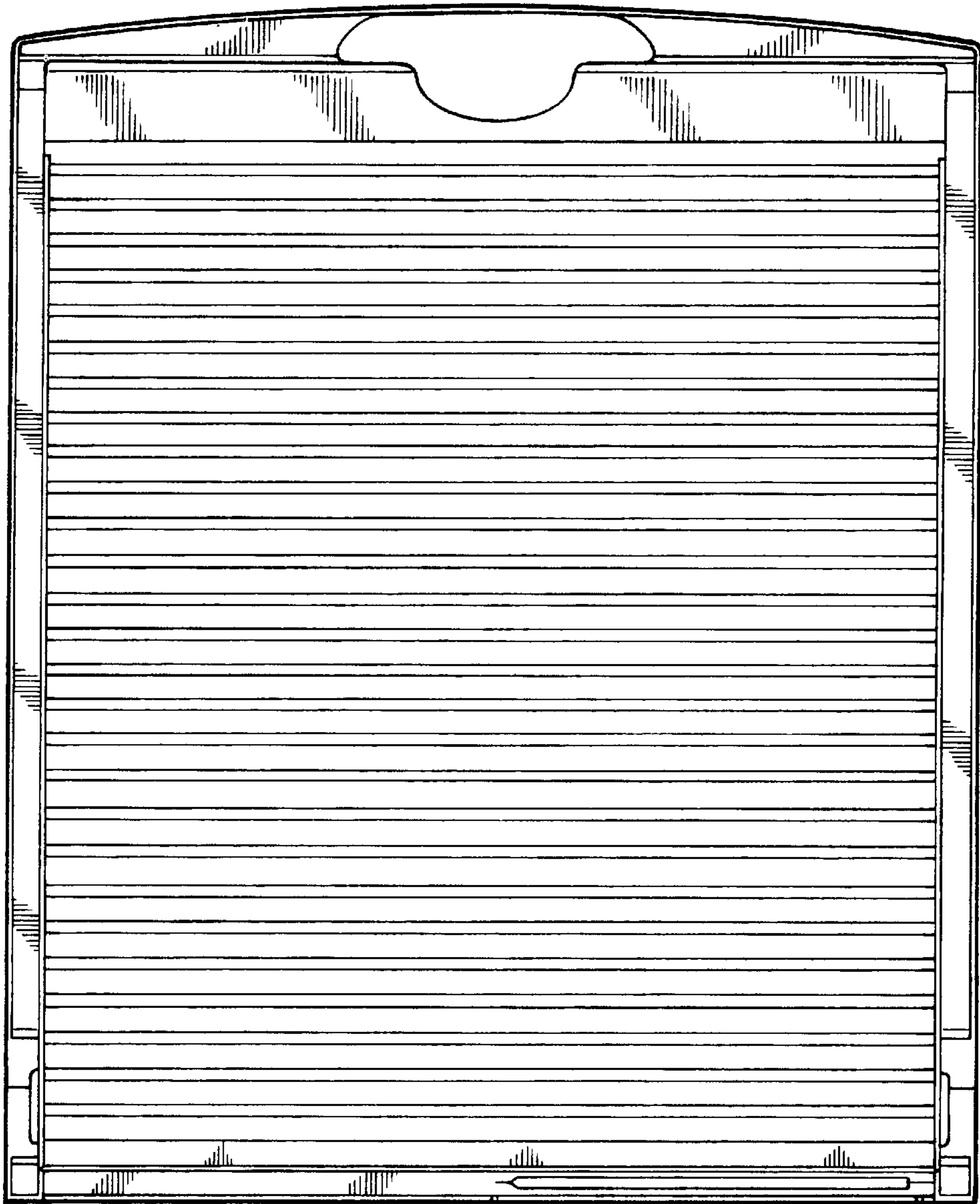


FIG. 6

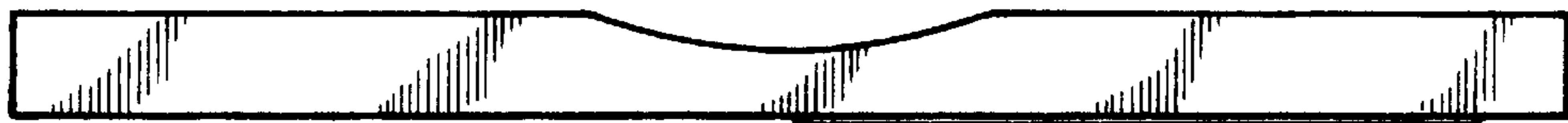


FIG. 3