



US00D435980S

(12) **United States Design Patent**
Lin

(10) **Patent No.:** **US D435,980 S**

(45) **Date of Patent:** **** Jan. 9, 2001**

(54) **CHAIR**

D. 426,395 * 6/2000 Lin D6/376

D. 426,719 * 6/2000 Lin D6/376

(76) Inventor: **Steve Lin**, No. 80, Kengtsai Ping,
Hoping Village, Chuchi Hsiang, Chiayi
Hsien (TW)

* cited by examiner

(**) Term: **14 Years**

Primary Examiner—Gary D. Watson
(74) *Attorney, Agent, or Firm*—Nixon Peabody LLP; Stuart
J. Friedman

(21) Appl. No.: **29/121,104**

(57) **CLAIM**

(22) Filed: **Mar. 31, 2000**

The ornamental design for a chair, as shown.

(51) **LOC (7) Cl.** **06-01**

DESCRIPTION

(52) **U.S. Cl.** **D6/376; D6/344**

FIG. 1 is a front-left-top perspective view of a chair,
showing my new design;

(58) **Field of Search** D6/334, 344, 358,
D6/369, 370, 374, 376, 379, 380, 500,
501, 502; 297/260.1, 265.1, 445.1

FIG. 2 is a front elevational view thereof;

FIG. 3 is a rear elevational view thereof;

FIG. 4 is a left side elevational view thereof;

FIG. 5 is a right side elevational view thereof;

FIG. 6 is a top plan view thereof; and,

FIG. 7 is a bottom plan view thereof.

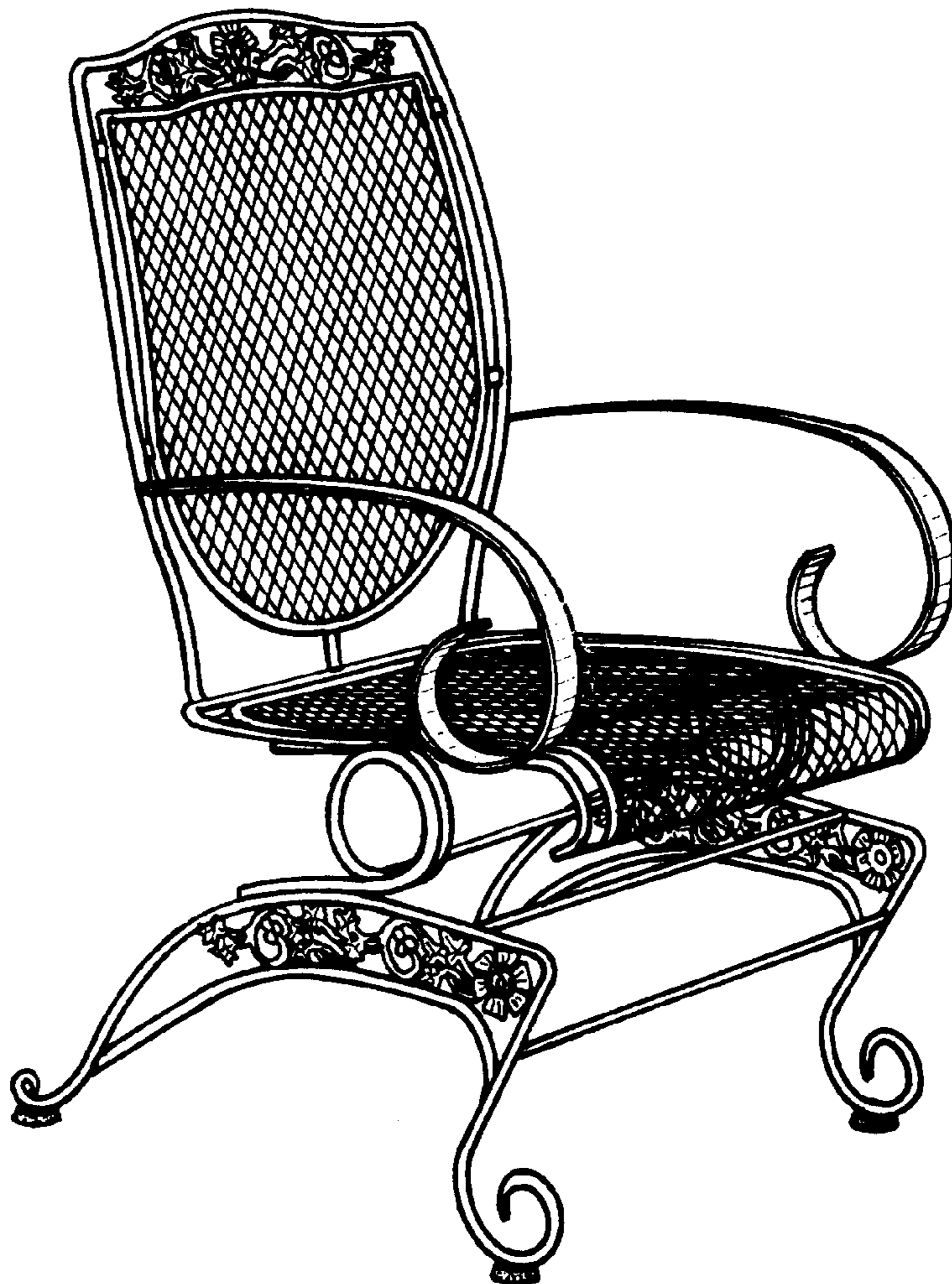
(56) **References Cited**

U.S. PATENT DOCUMENTS

D. 272,020 * 1/1984 Baty D6/44

D. 335,586 * 5/1993 Hess D6/376

1 Claim, 4 Drawing Sheets



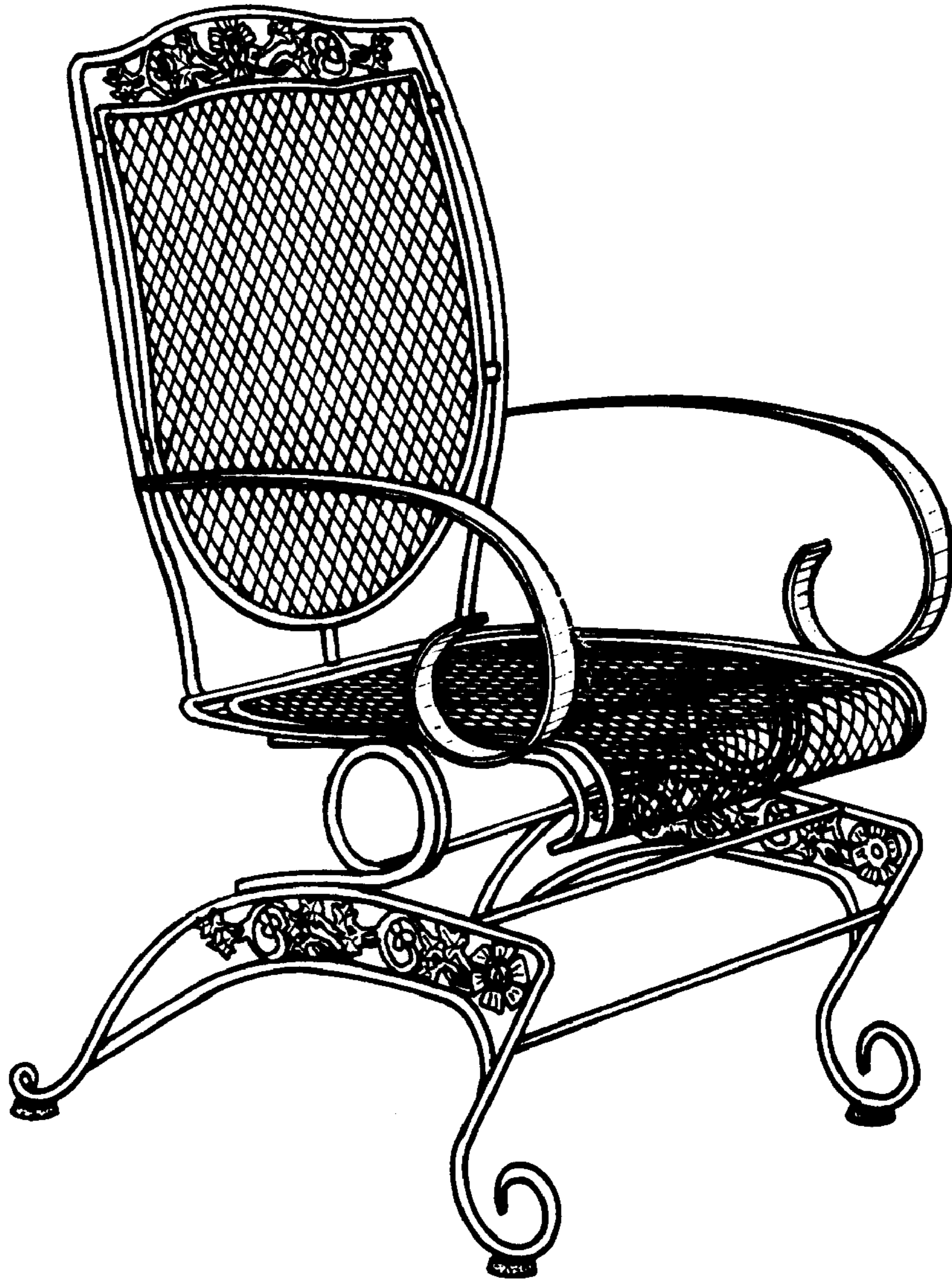


FIG. 1

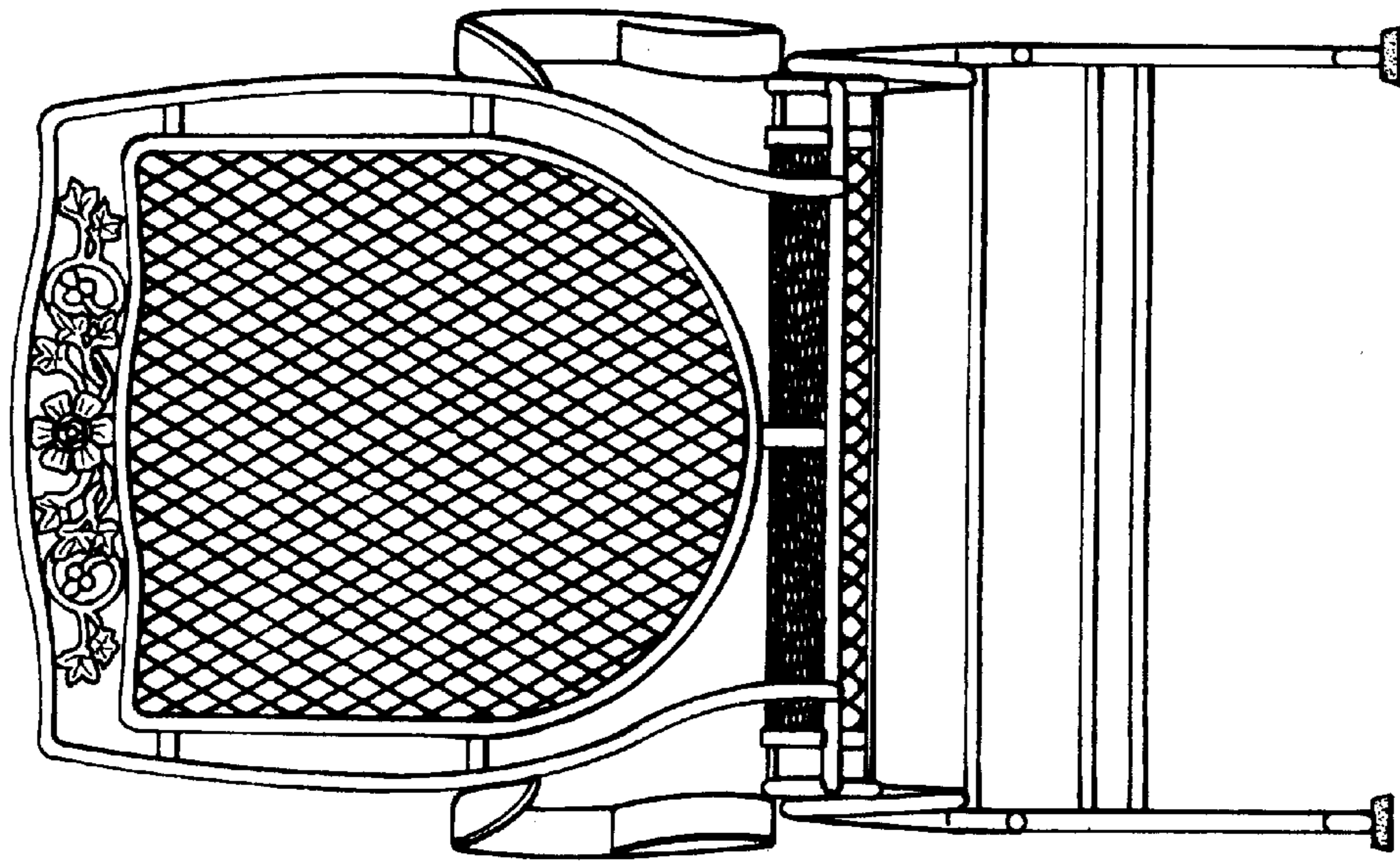


FIG. 2

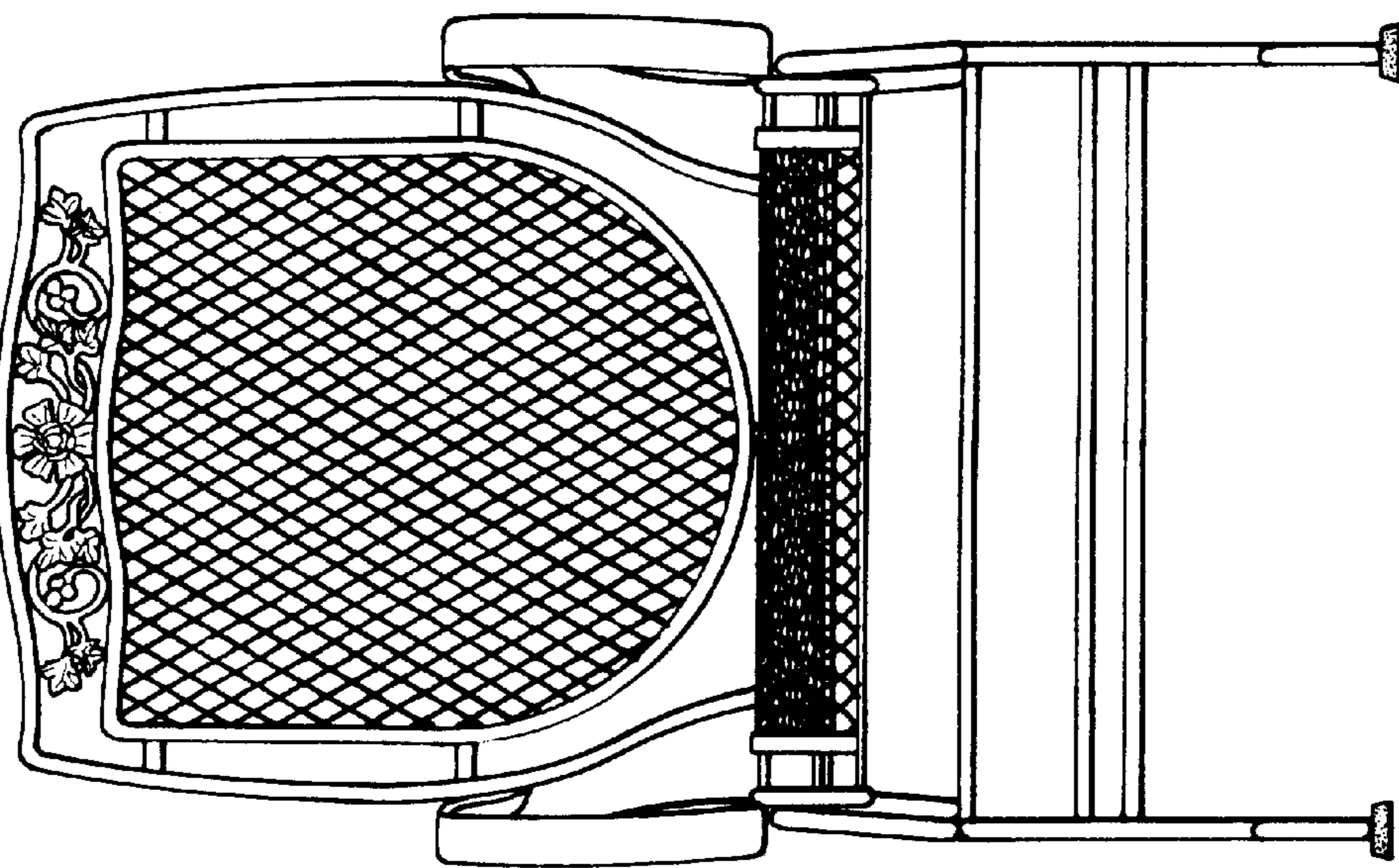


FIG. 3

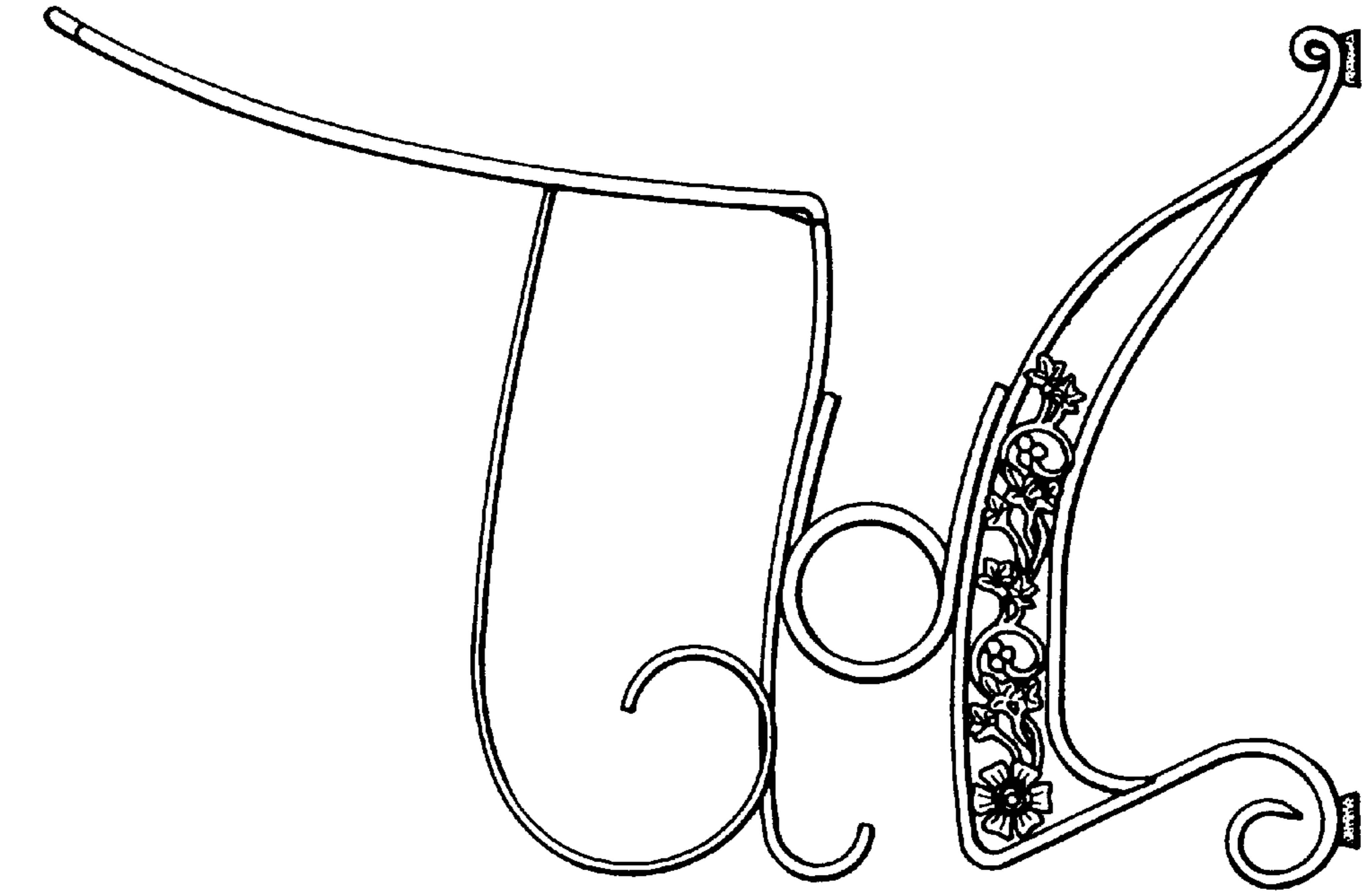


FIG. 4

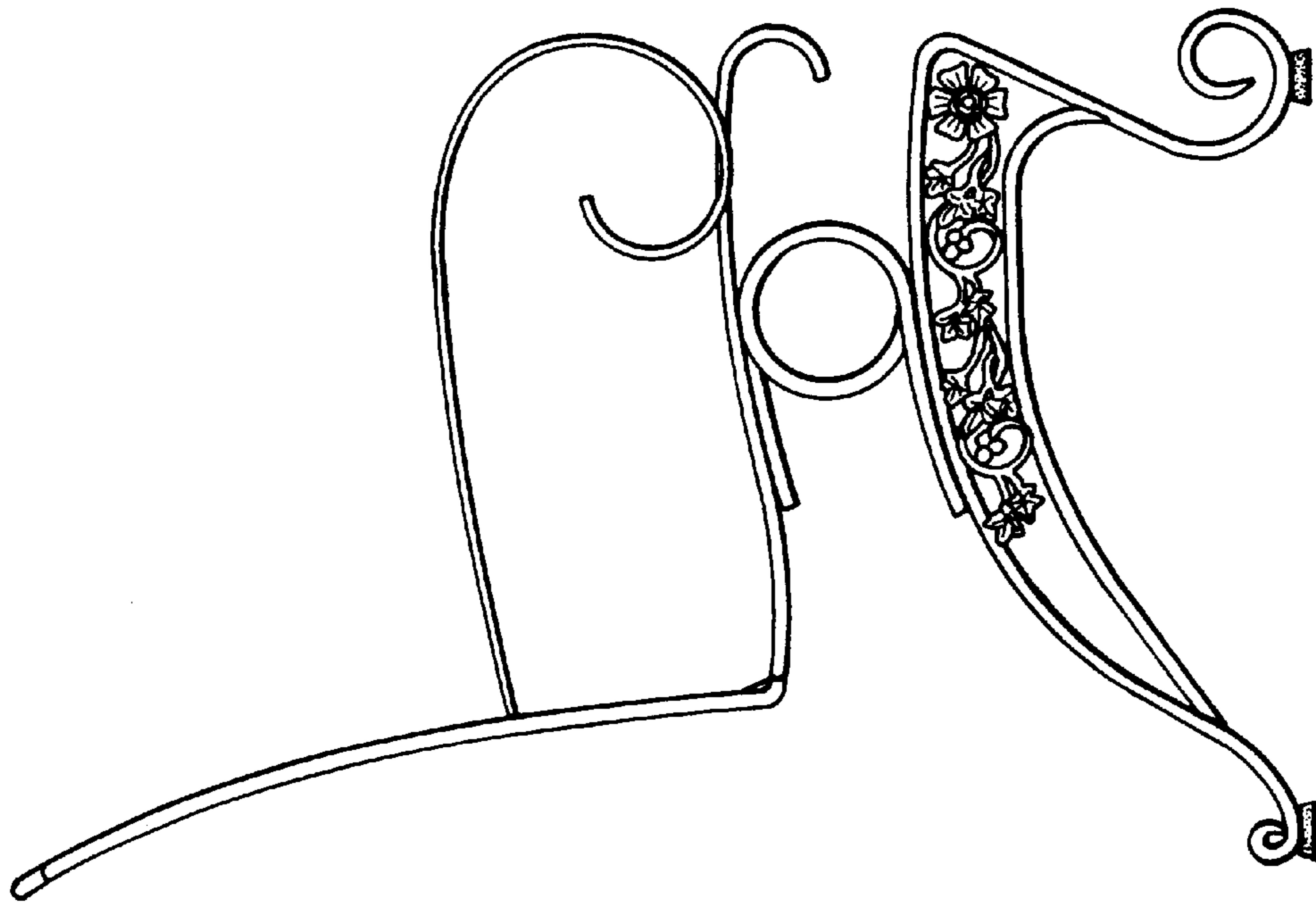


FIG. 5

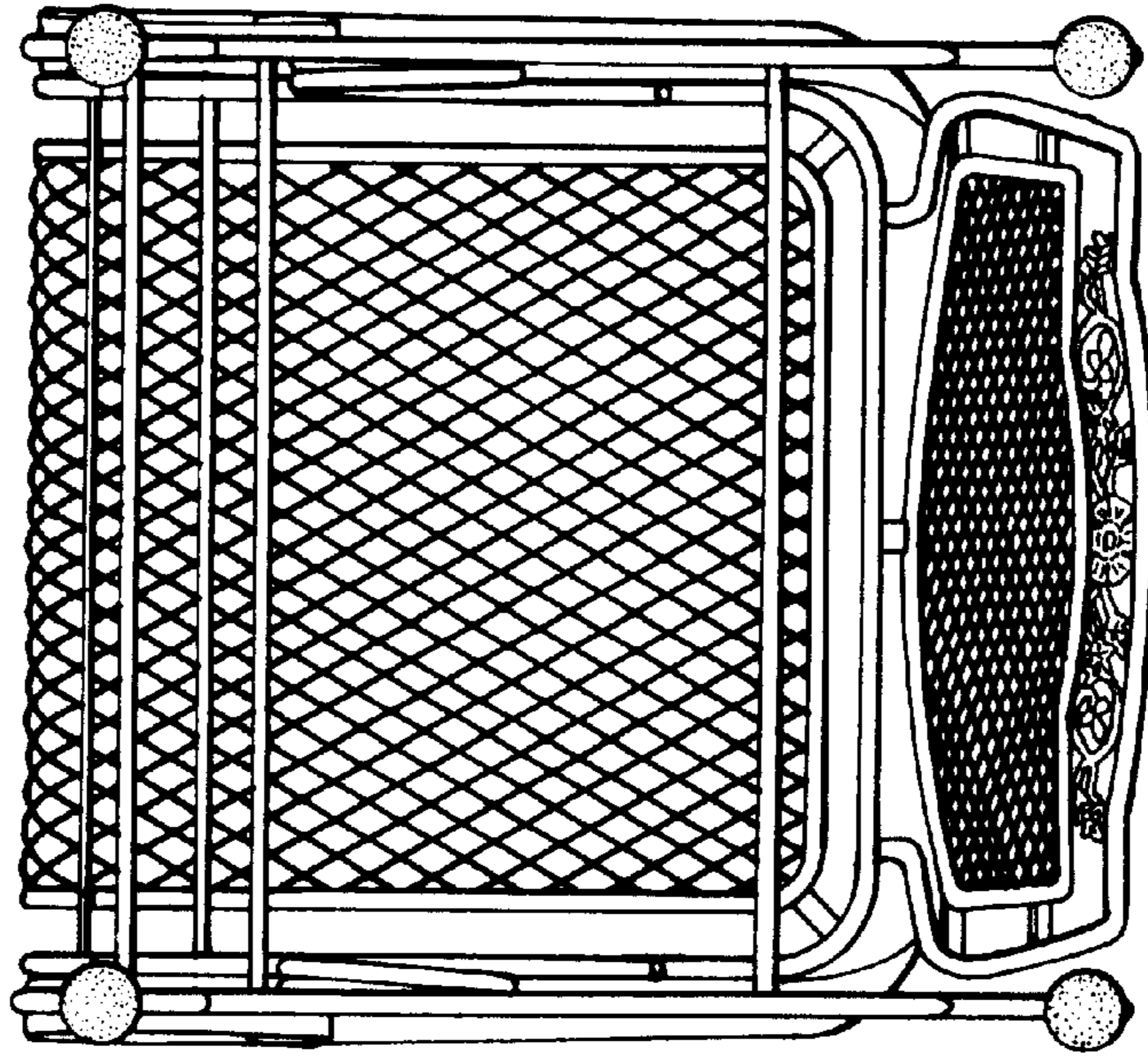


FIG. 7

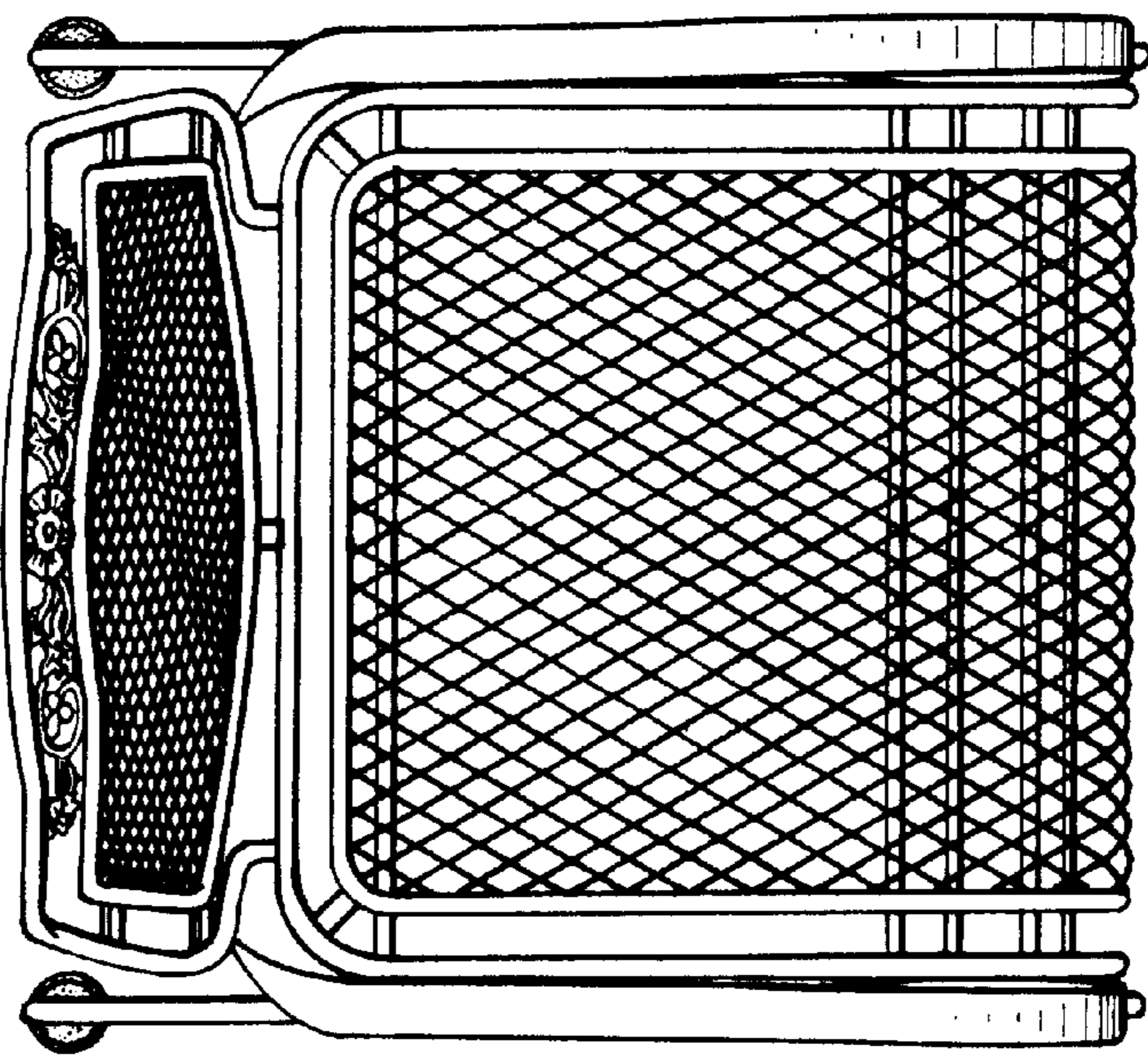


FIG. 6