



US00D435979S

(12) **United States Design Patent**
Tseng

(10) **Patent No.:** **US D435,979 S**

(45) **Date of Patent:** **** Jan. 9, 2001**

(54) **CHAIR**

(75) **Inventor:** **Chuen-Jong Tseng, Chiayi Hsien (TW)**

(73) **Assignee:** **Shin Yeh Enterprise Co., Ltd., Chiayi Hsien (TW)**

(**) **Term:** **14 Years**

(21) **Appl. No.:** **29/120,815**

(22) **Filed:** **Mar. 27, 2000**

(51) **LOC (7) Cl.** **06-01**

(52) **U.S. Cl.** **D6/376; D6/369; D6/379**

(58) **Field of Search** **D6/334, 369, 370, D6/374, 375, 376, 379, 380, 500, 501, 502; 297/446.1**

(56) **References Cited**

U.S. PATENT DOCUMENTS

- D. 181,533 * 11/1957 Jones et al. D6/376
- D. 342,391 * 12/1993 Caldwell D6/376

- D. 416,703 * 11/1999 Lin D6/376
- D. 419,792 * 2/2000 Tseng D6/376
- D. 422,425 * 4/2000 Tseng D6/376
- D. 426,718 * 6/2000 Gaylord et al. D6/376

* cited by examiner

Primary Examiner—Gary D. Watson

(74) *Attorney, Agent, or Firm*—Ladas & Parry

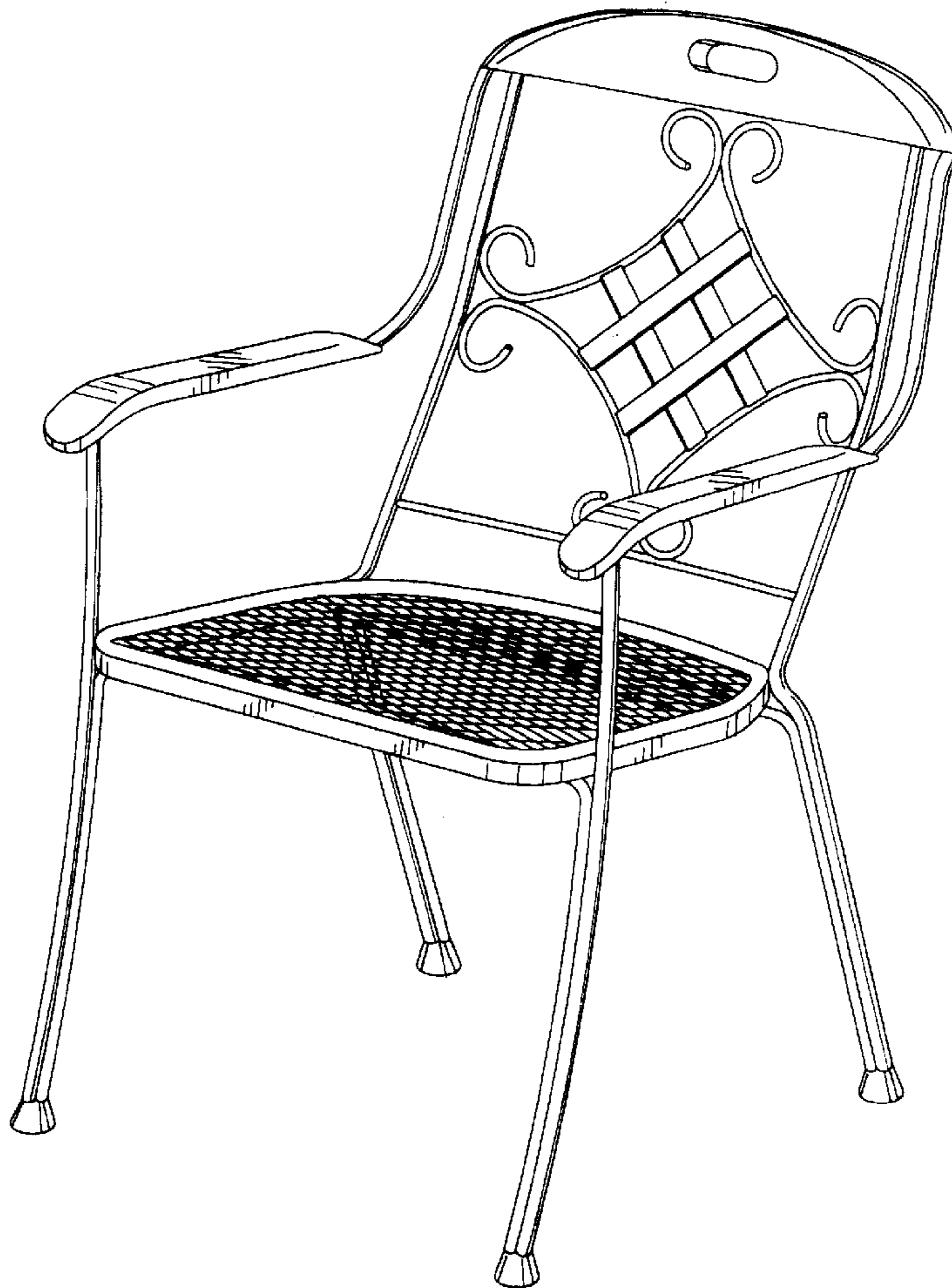
(57) **CLAIM**

The ornamental design for chair, as shown and described.

DESCRIPTION

FIG. 1 is a perspective view of chair showing my new design;
 FIG. 2 is a front elevational view thereof;
 FIG. 3 is a rear elevational view thereof;
 FIG. 4 is a left side elevational view thereof;
 FIG. 5 is a right side elevational view thereof;
 FIG. 6 is a top plan view thereof; and,
 FIG. 7 is a bottom plan view thereof.

1 Claim, 4 Drawing Sheets



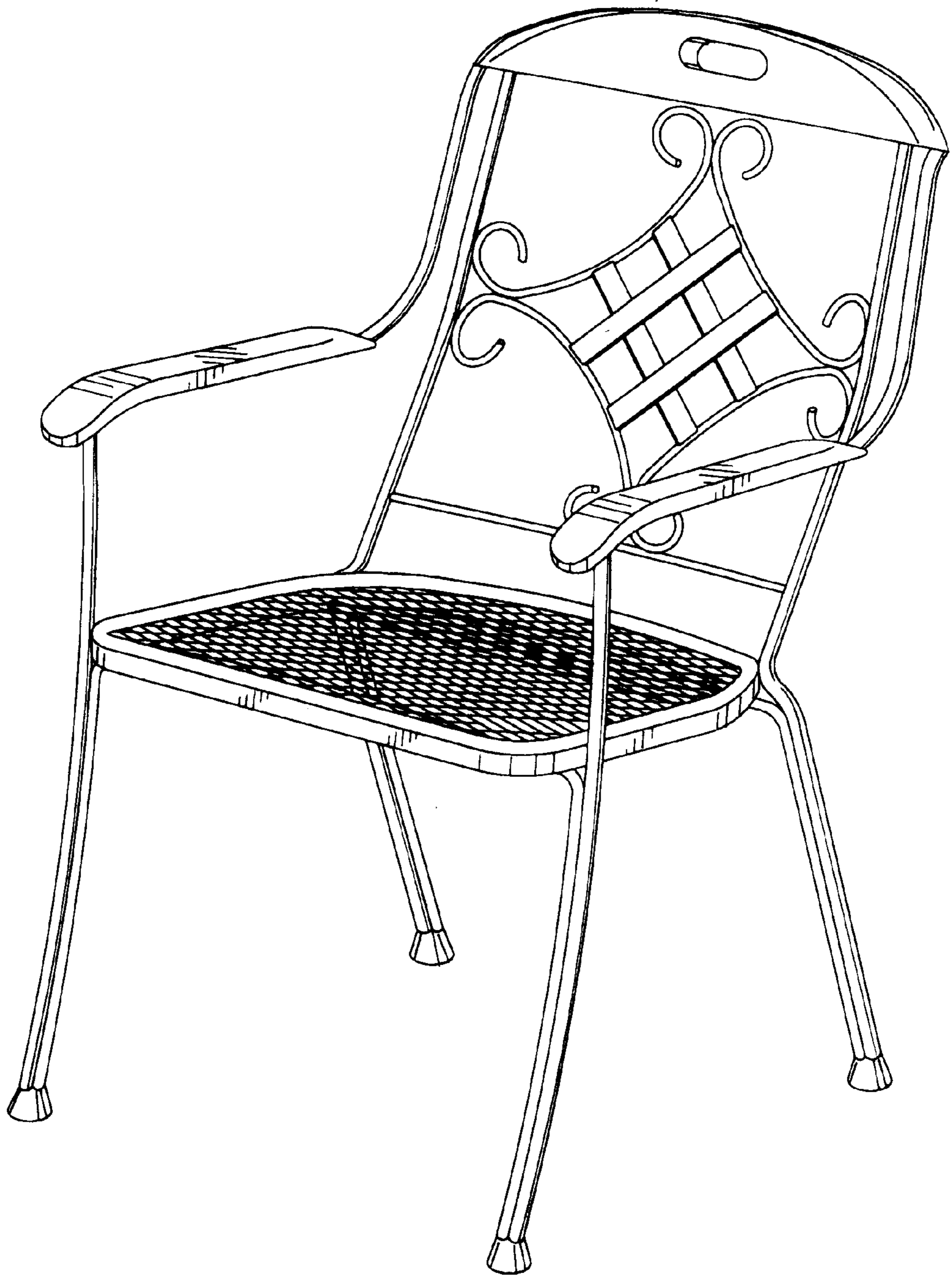


FIG. 1

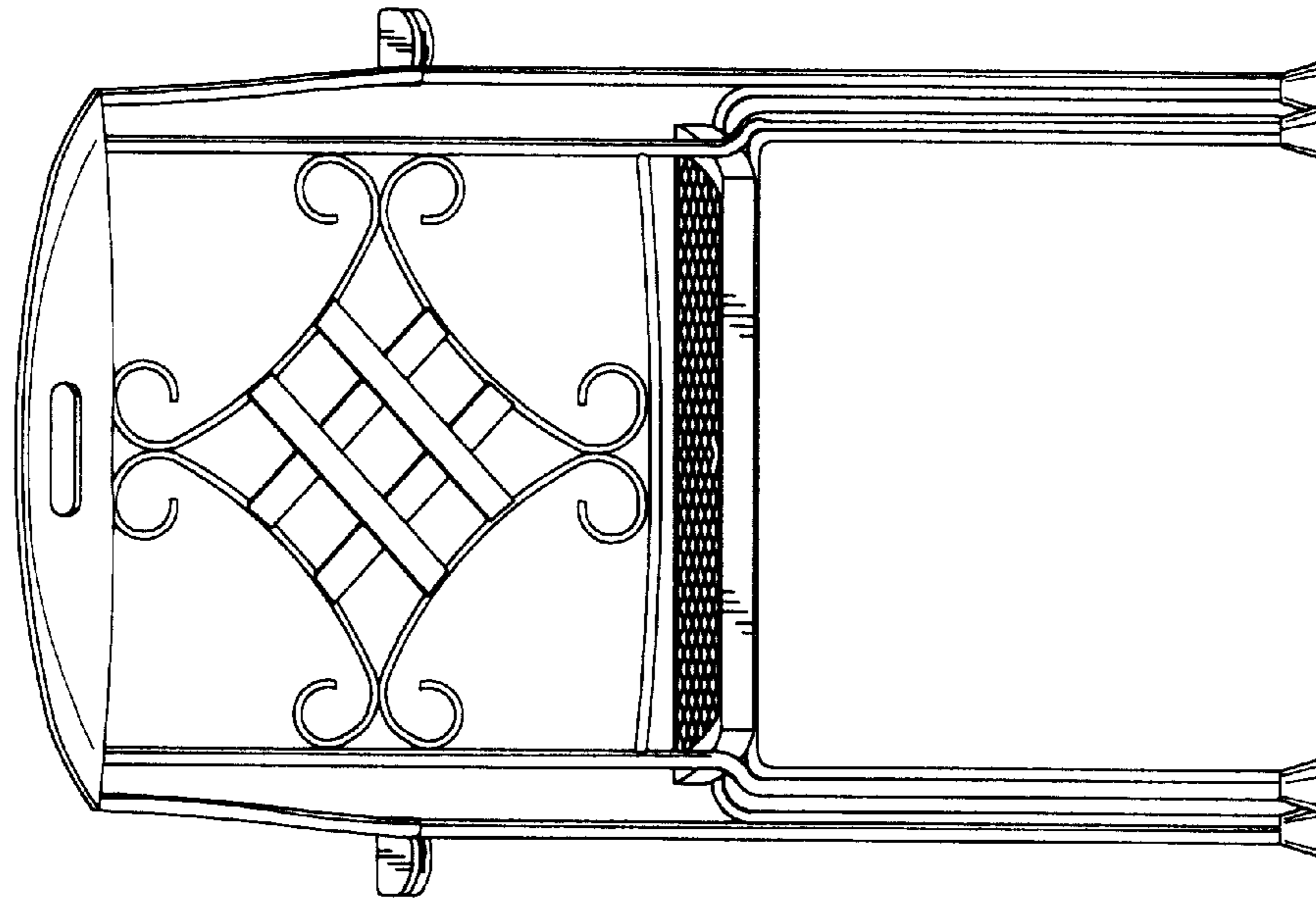


FIG. 2

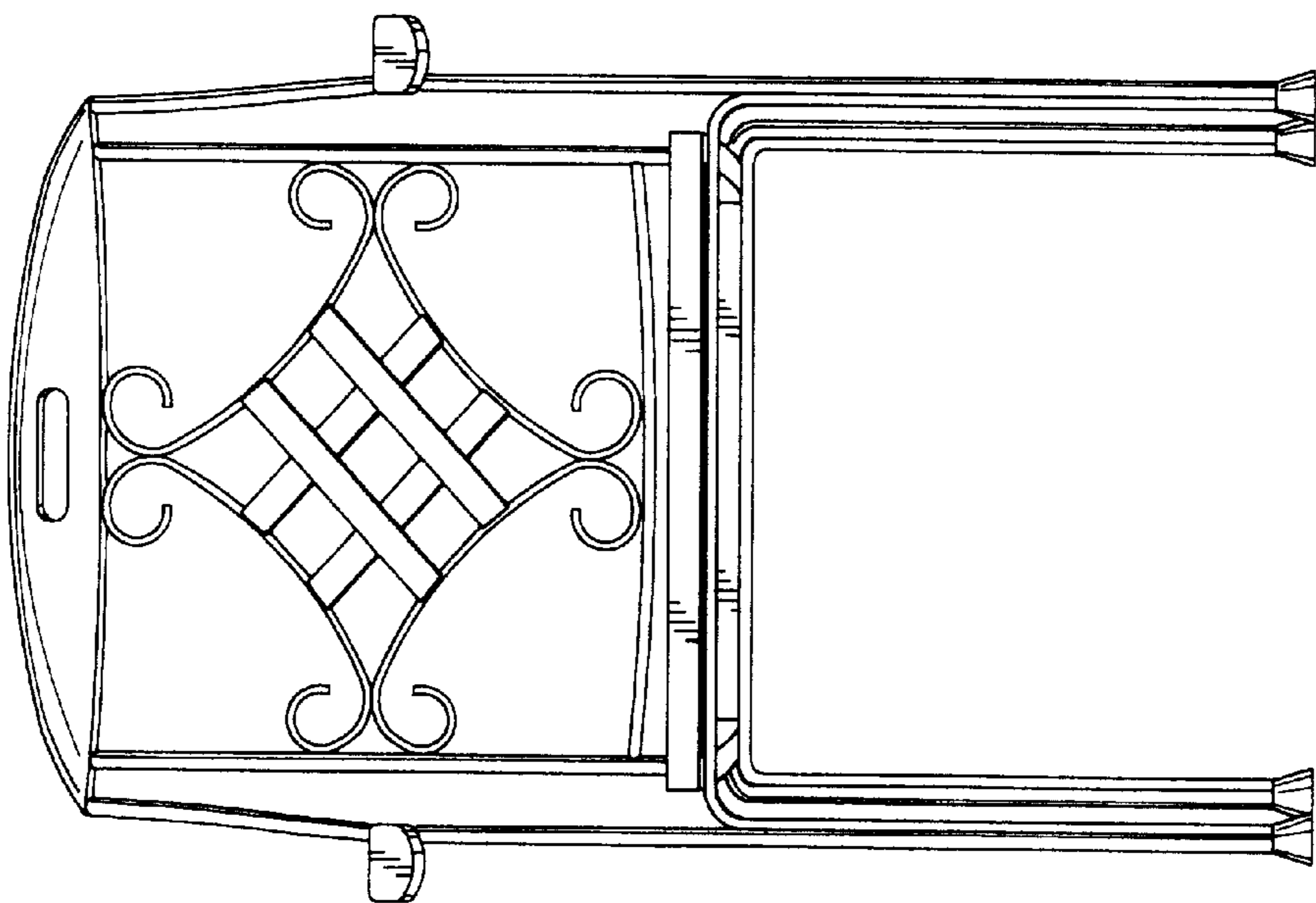


FIG. 3

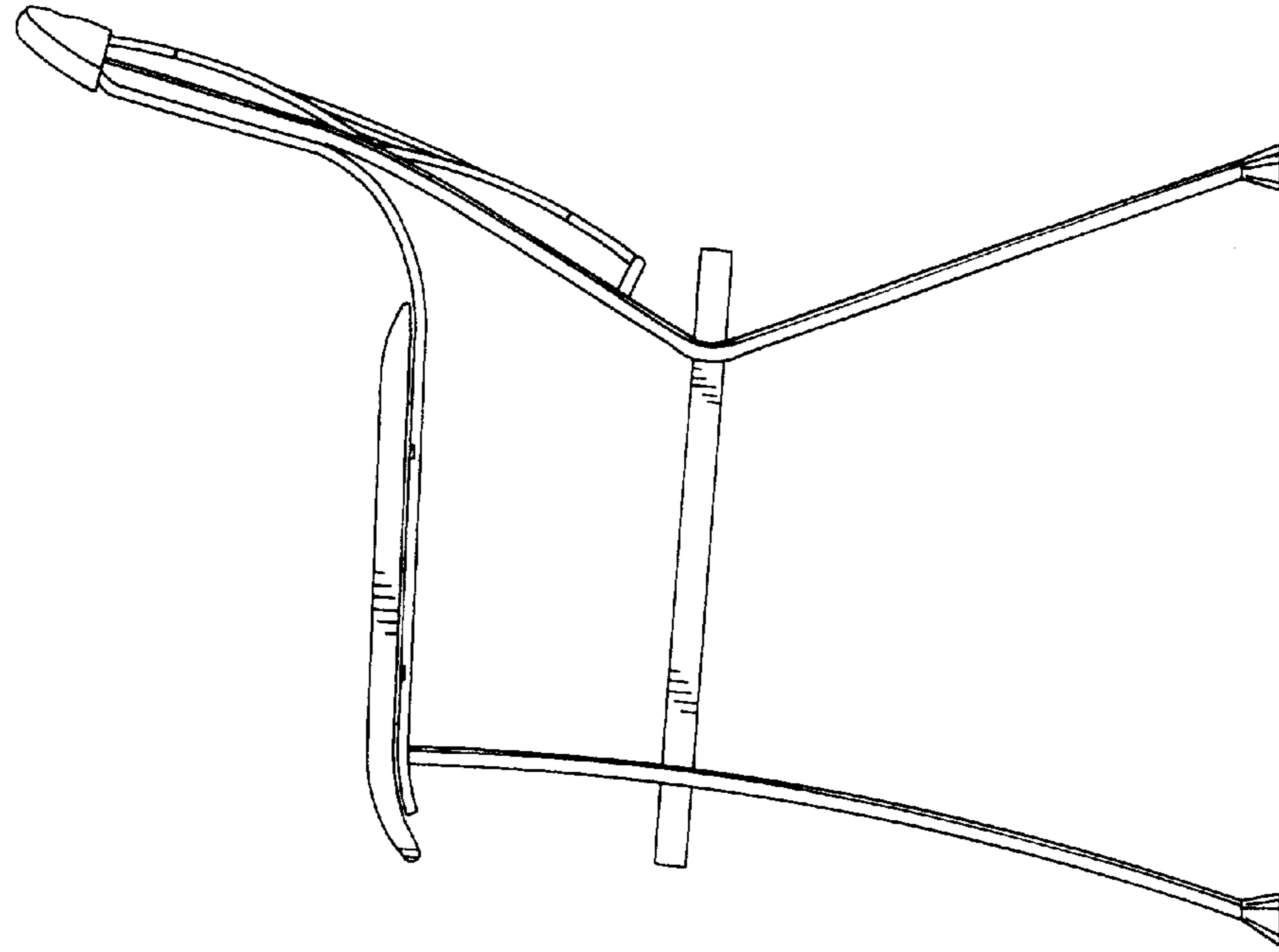


FIG. 5

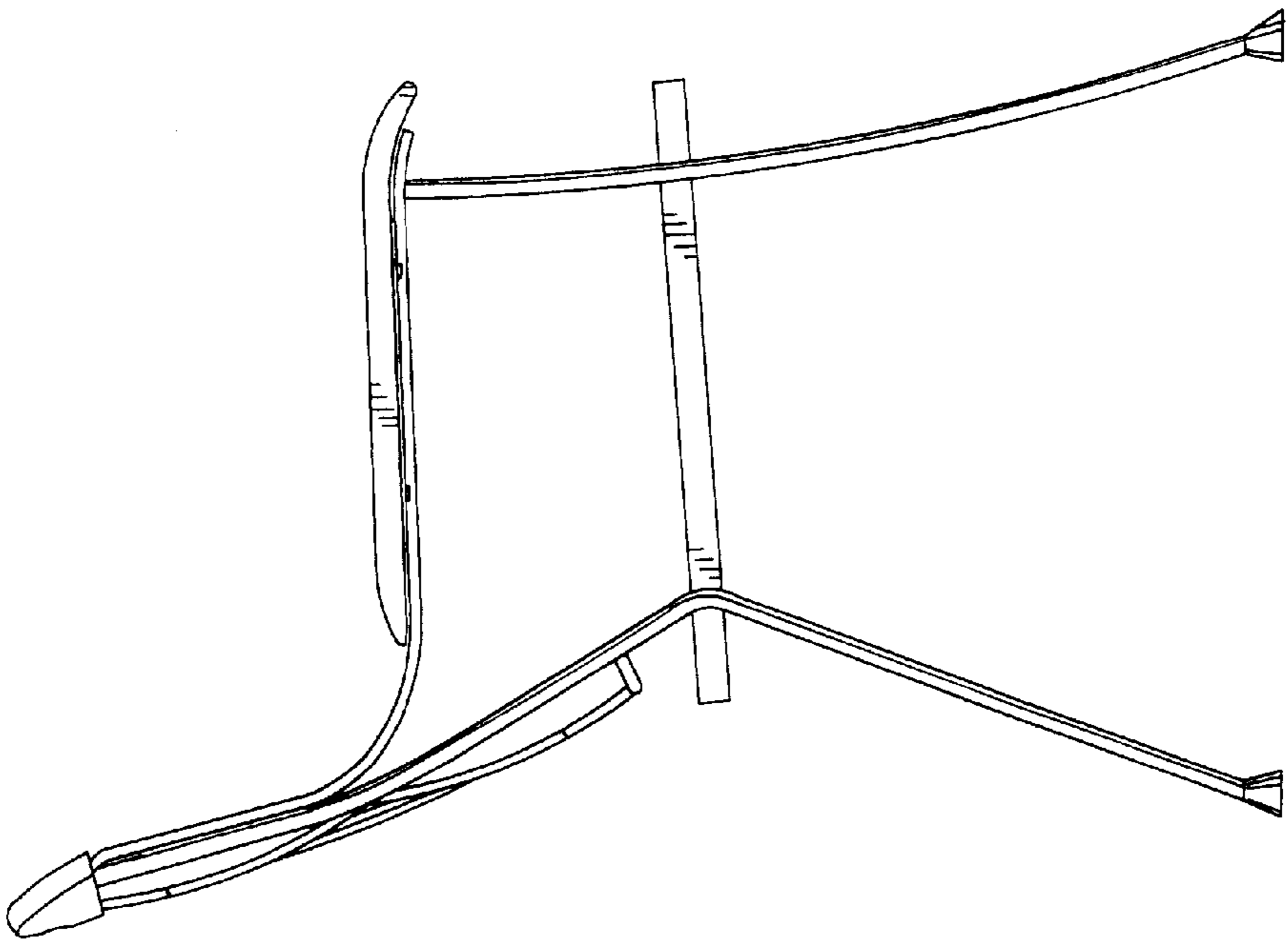


FIG. 4

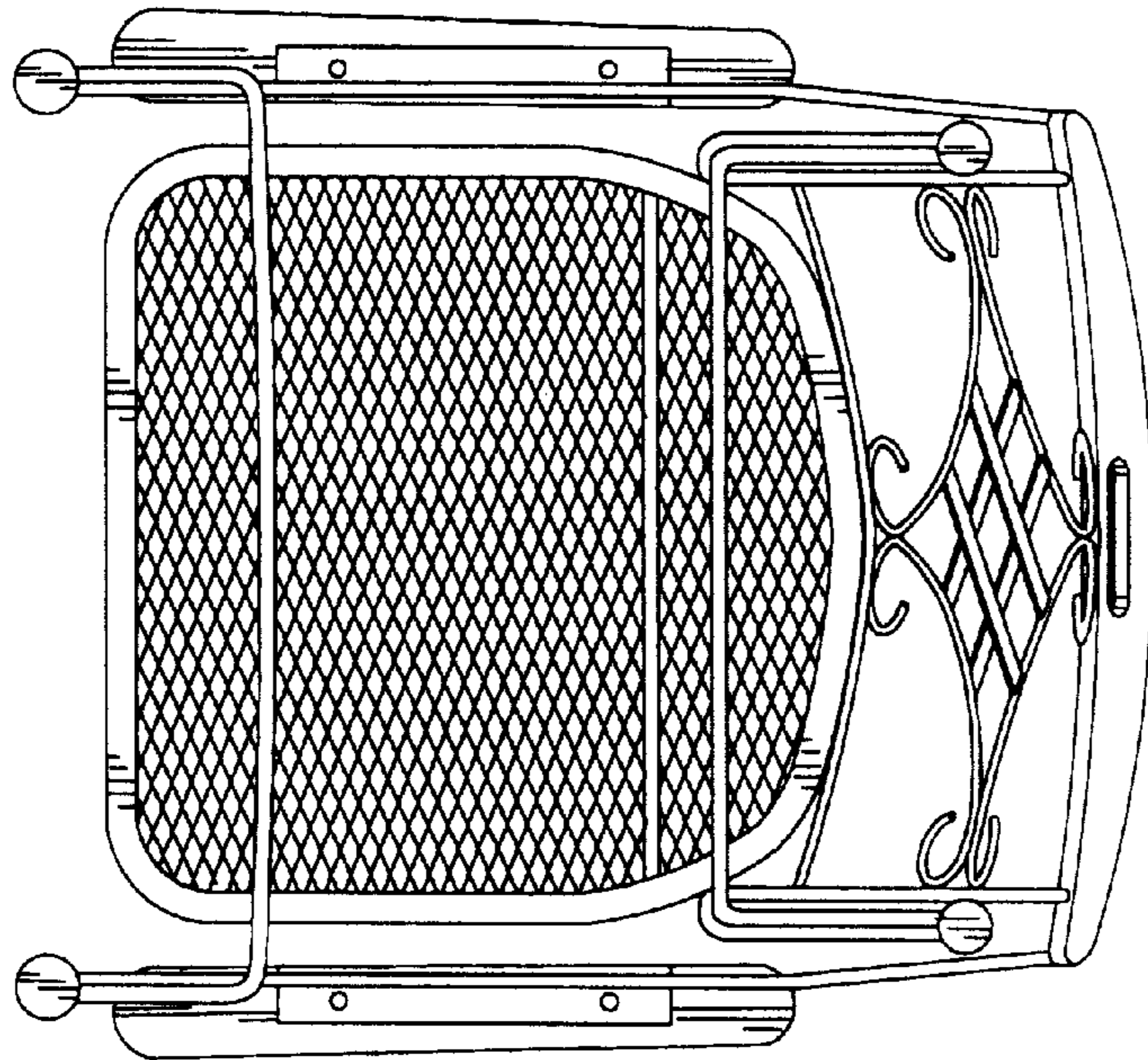


FIG. 7

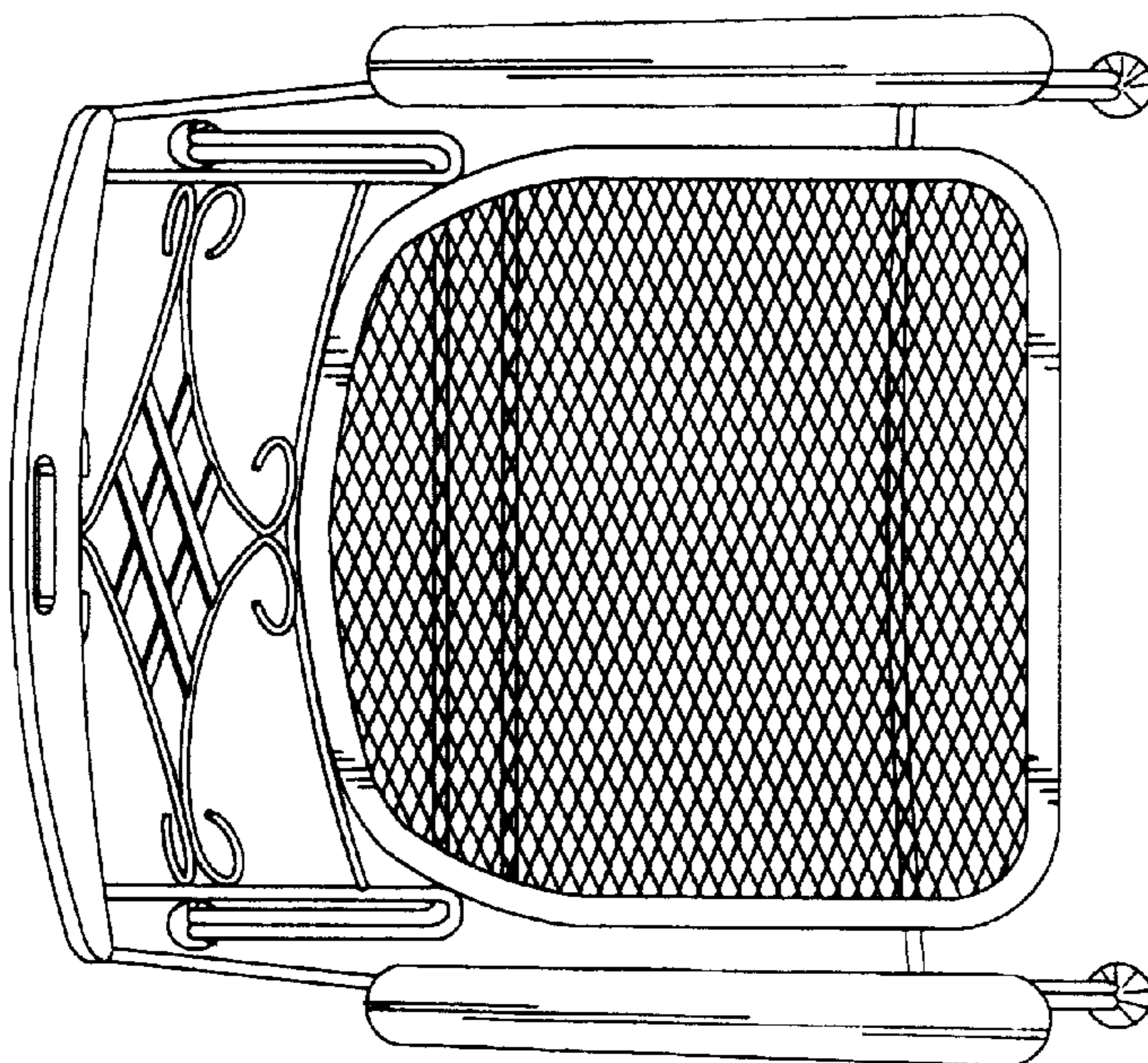


FIG. 6