



US00D435975S

(12) **United States Design Patent**
Ranspach

(10) **Patent No.:** **US D435,975 S**

(45) **Date of Patent:** **** Jan. 9, 2001**

(54) **DRAWING HORSE AND DRAFTING TABLE**

2,696,415 * 12/1954 Himelson 108/6
2,901,124 * 8/1959 Gingher et al. D8/29
4,921,302 * 5/1990 Godwin 297/135

(76) Inventor: **Ernest J. Ranspach**, 434 NE. 8th St.,
Boca Raton, FL (US) 33432

OTHER PUBLICATIONS

(**) Term: **14 Years**

Artroom Equipment Catalog 1997 illustration of Drawing Horse, Copyright 1997 James Co. (2 pgs.).
Sax Catalog circa 1998 Art Horse p. 271 (1 pg.).
High Smith Catalog circa 1998 Wilson Multimedia Workstation p. 77 (1 pg.).

(21) Appl. No.: **29/115,117**

* cited by examiner

(22) Filed: **Dec. 8, 1999**

(51) **LOC (7) Cl.** **06-01**

(52) **U.S. Cl.** **D6/338**

(58) **Field of Search** D6/300, 335, 336,
D6/338, 340, 349, 354, 367, 420; 108/6,
29, 157.1, 157.11, 163, 177; 297/135, 156,
170, 172, 173, 174, 124; D34/14, 21, 22

Primary Examiner—Doris V. Coles

Assistant Examiner—Mimosa De

(74) *Attorney, Agent, or Firm*—Robert C. Kain, Jr.

(56) **References Cited**

(57) **CLAIM**

The ornamental design for the drawing horse and drafting table, as shown.

U.S. PATENT DOCUMENTS

DESCRIPTION

- D. 61,355 * 8/1922 Anderson D6/340
- D. 140,281 * 2/1945 Weller et al. D6/340
- D. 145,659 * 10/1946 Covington D6/340
- D. 175,016 * 6/1955 Cote D6/340
- D. 182,061 * 2/1958 Cote D6/340
- D. 183,407 * 8/1958 Schaefer D6/340
- D. 241,324 * 9/1976 Wright D34/21
- D. 260,203 * 8/1981 Arnold D6/300
- D. 275,913 * 10/1984 Mulligan D6/420
- D. 310,603 * 9/1990 Keller D6/349
- D. 335,566 * 5/1993 Spriggs et al. D34/14
- D. 427,790 * 7/2000 Gargan D6/338
- 647,527 * 4/1900 Scheuning 297/170
- 1,582,346 * 4/1926 Oster D8/29
- 1,951,960 * 3/1934 Anduaga 297/156
- 2,515,474 * 7/1950 Ryder 108/6
- 2,530,785 * 11/1950 Rocca 297/156

FIG. 1 is a right side perspective view of the drawing horse and drafting table.

FIG. 2 is a left side perspective view of the drawing horse and drafting table.

FIG. 3 is a front elevational view of the table shown in FIG. 1;

FIG. 4 is a right side view of the table shown in FIG. 1;

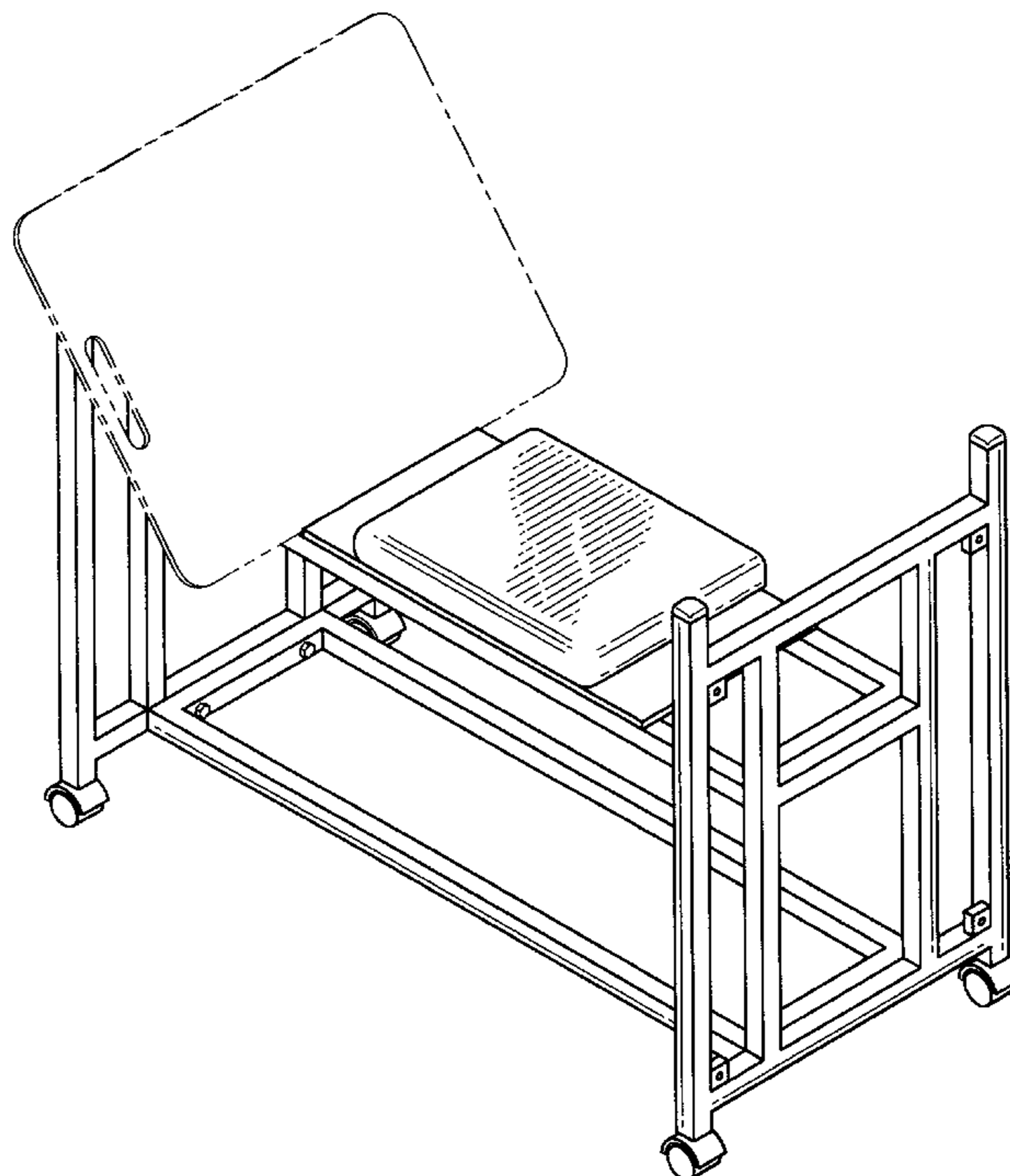
FIG. 5 is a rear view of the table shown in FIG. 1;

FIG. 6 is a left side view of the table shown in FIG. 1;

FIG. 7 is a bottom view of the table shown in FIG. 1; and,

FIG. 8 is a top view of the table shown in FIG. 1.

1 Claim, 5 Drawing Sheets



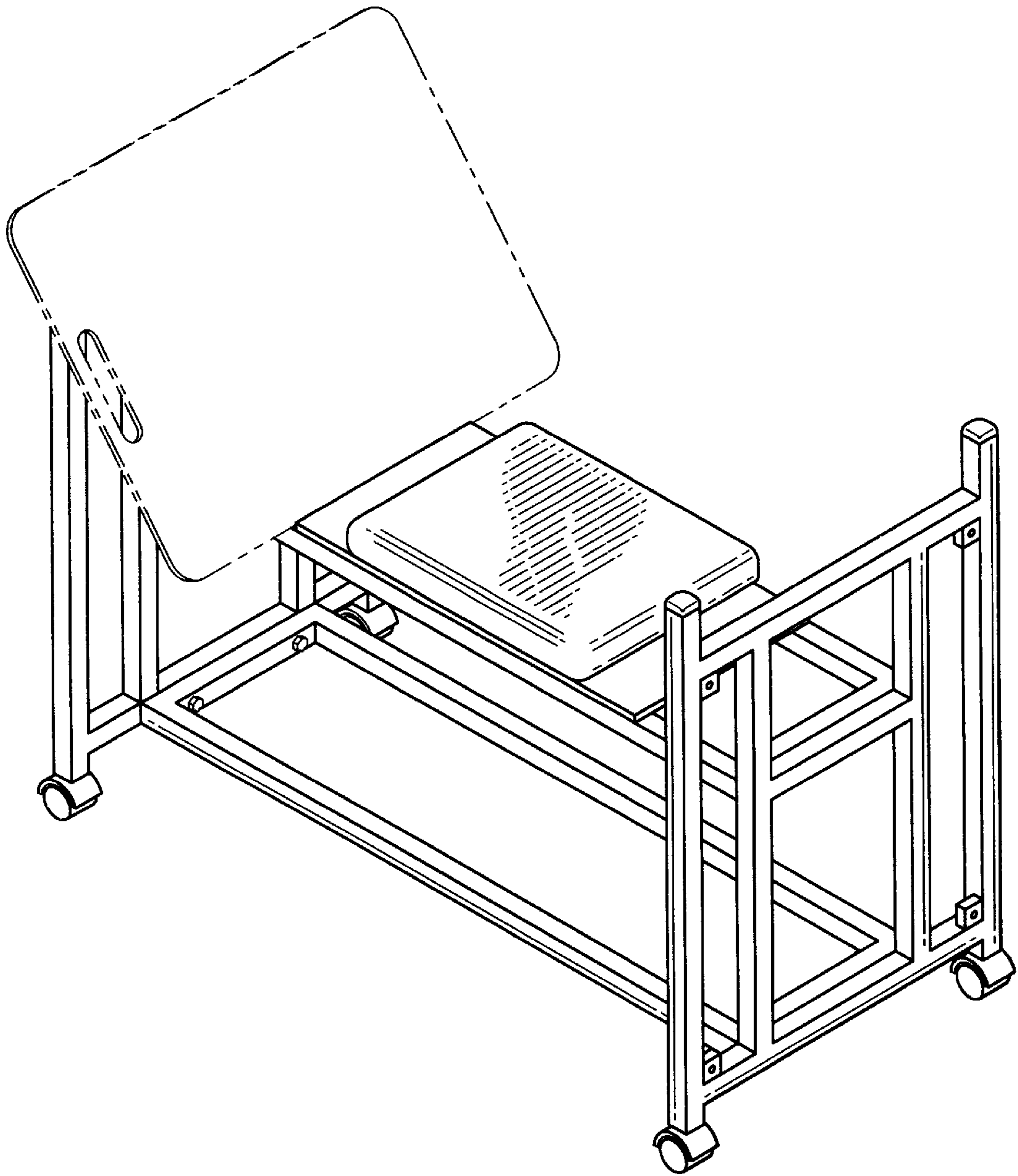


FIG. 1

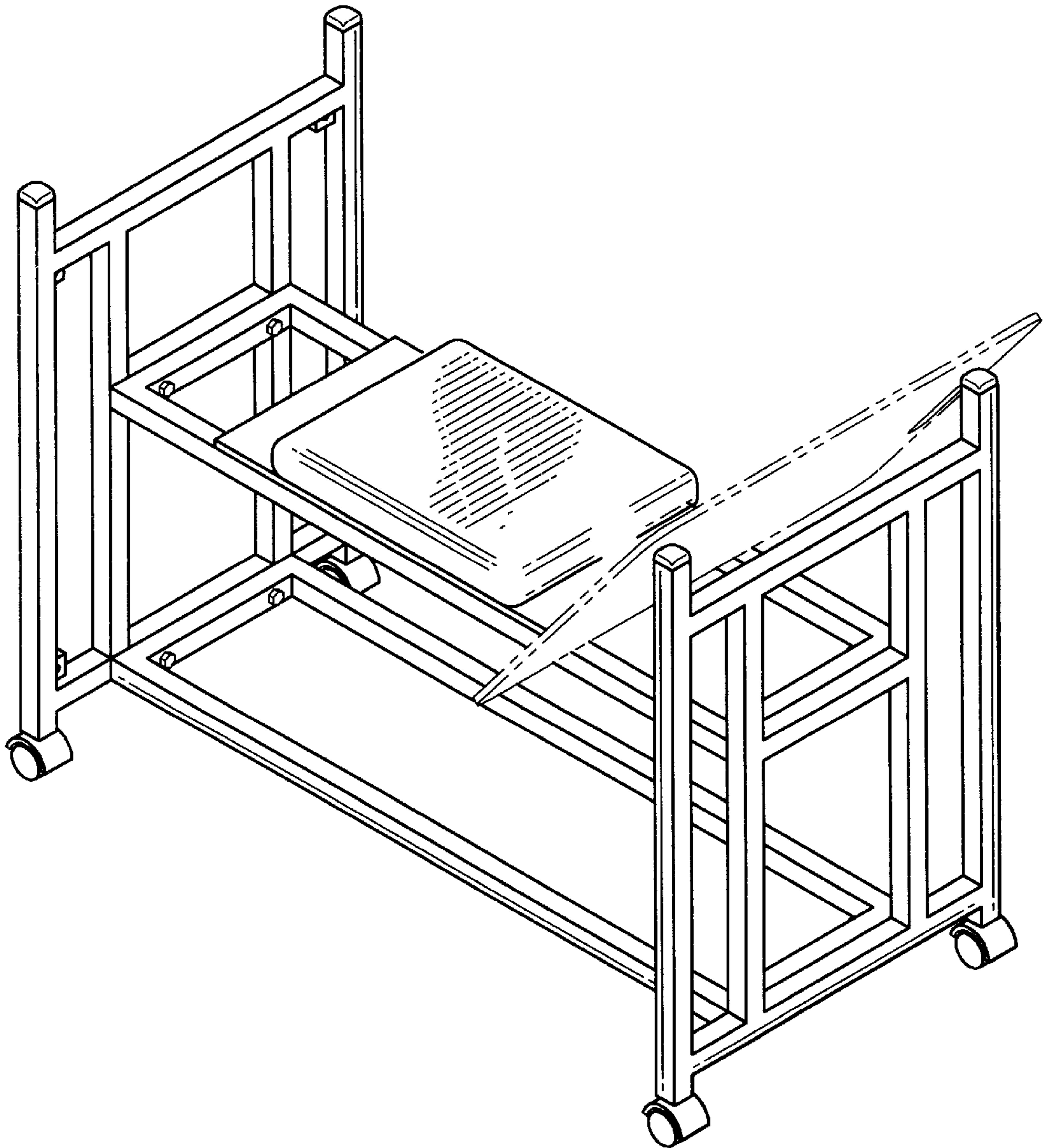


FIG. 2

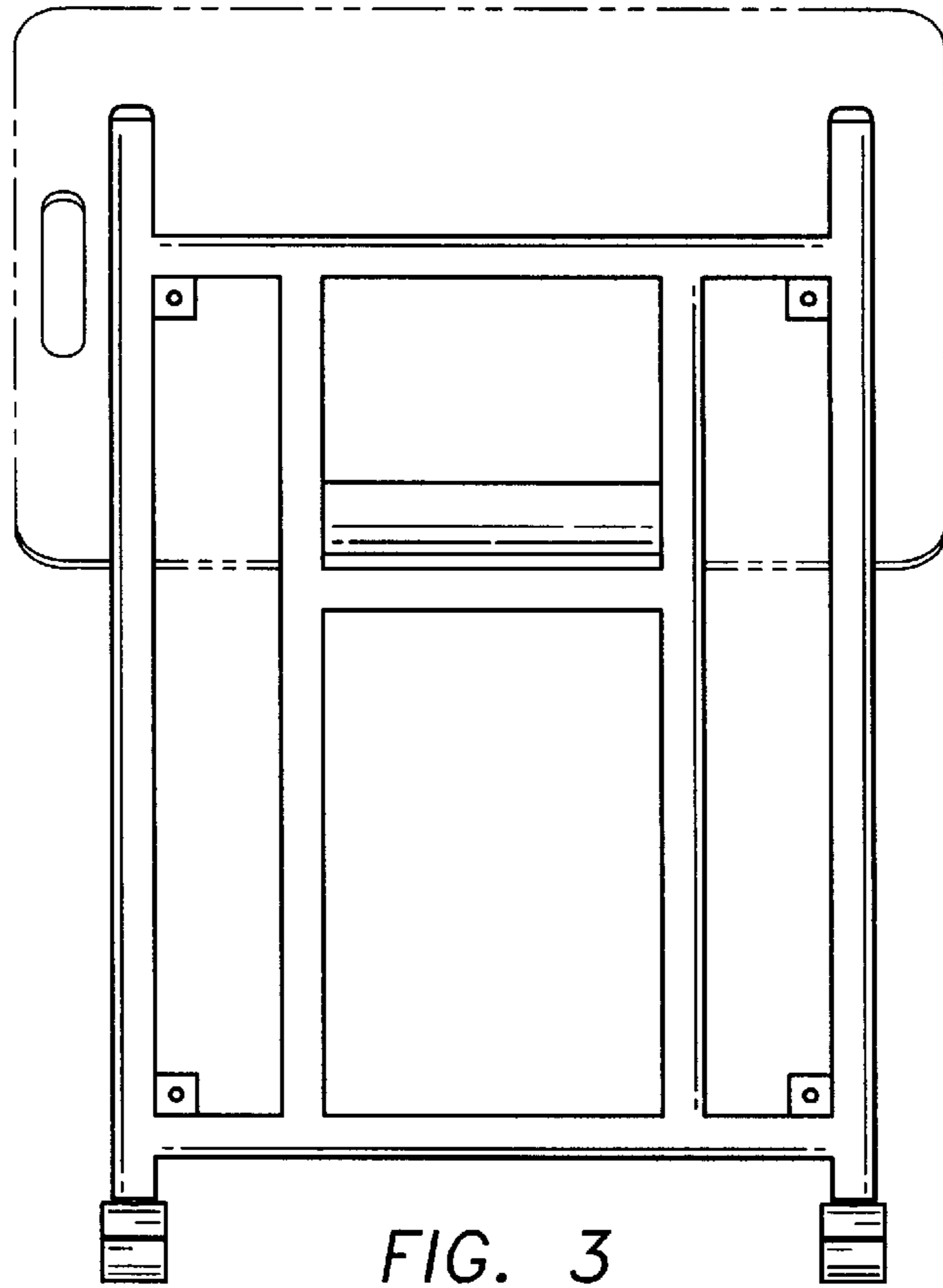


FIG. 3

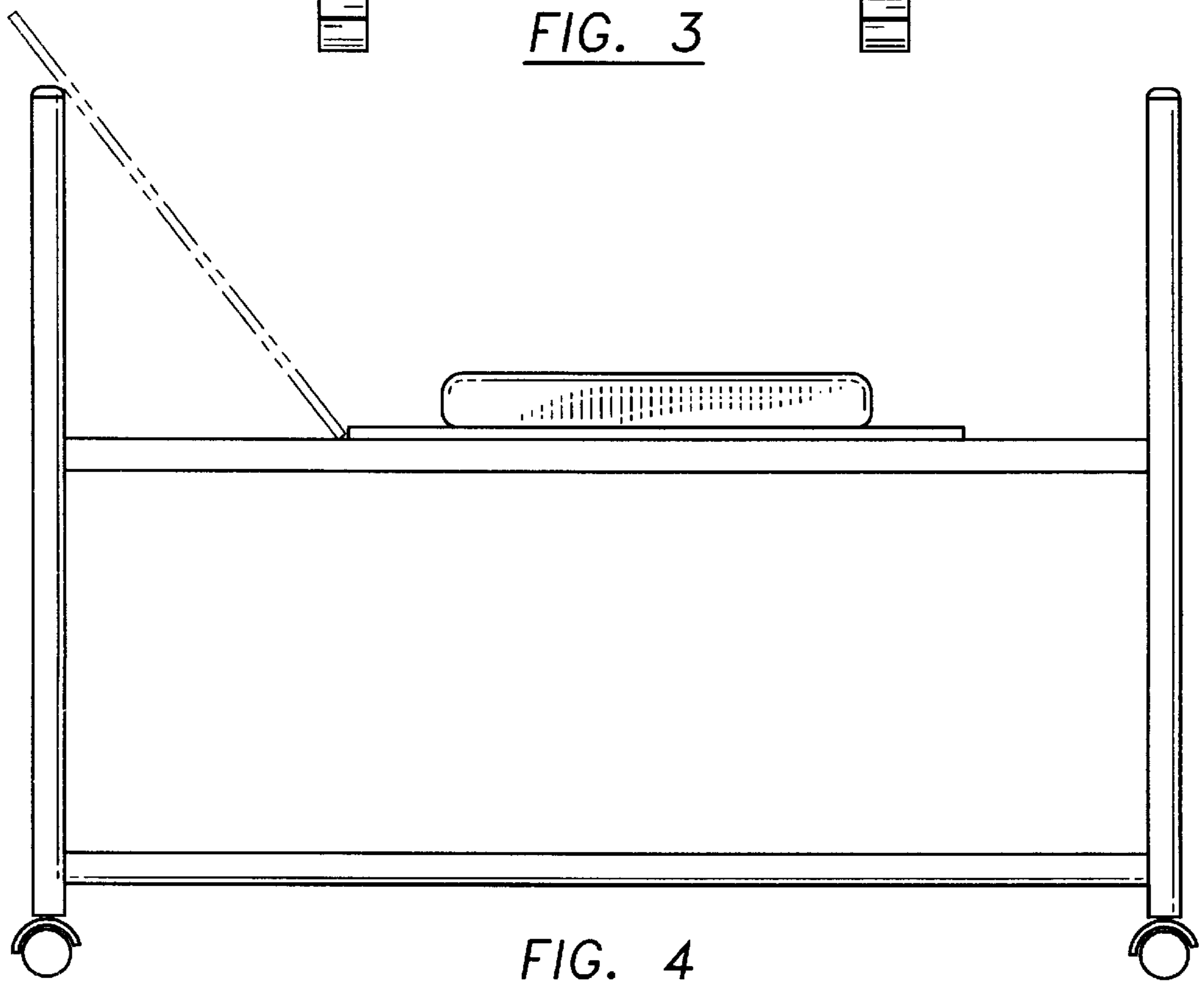


FIG. 4

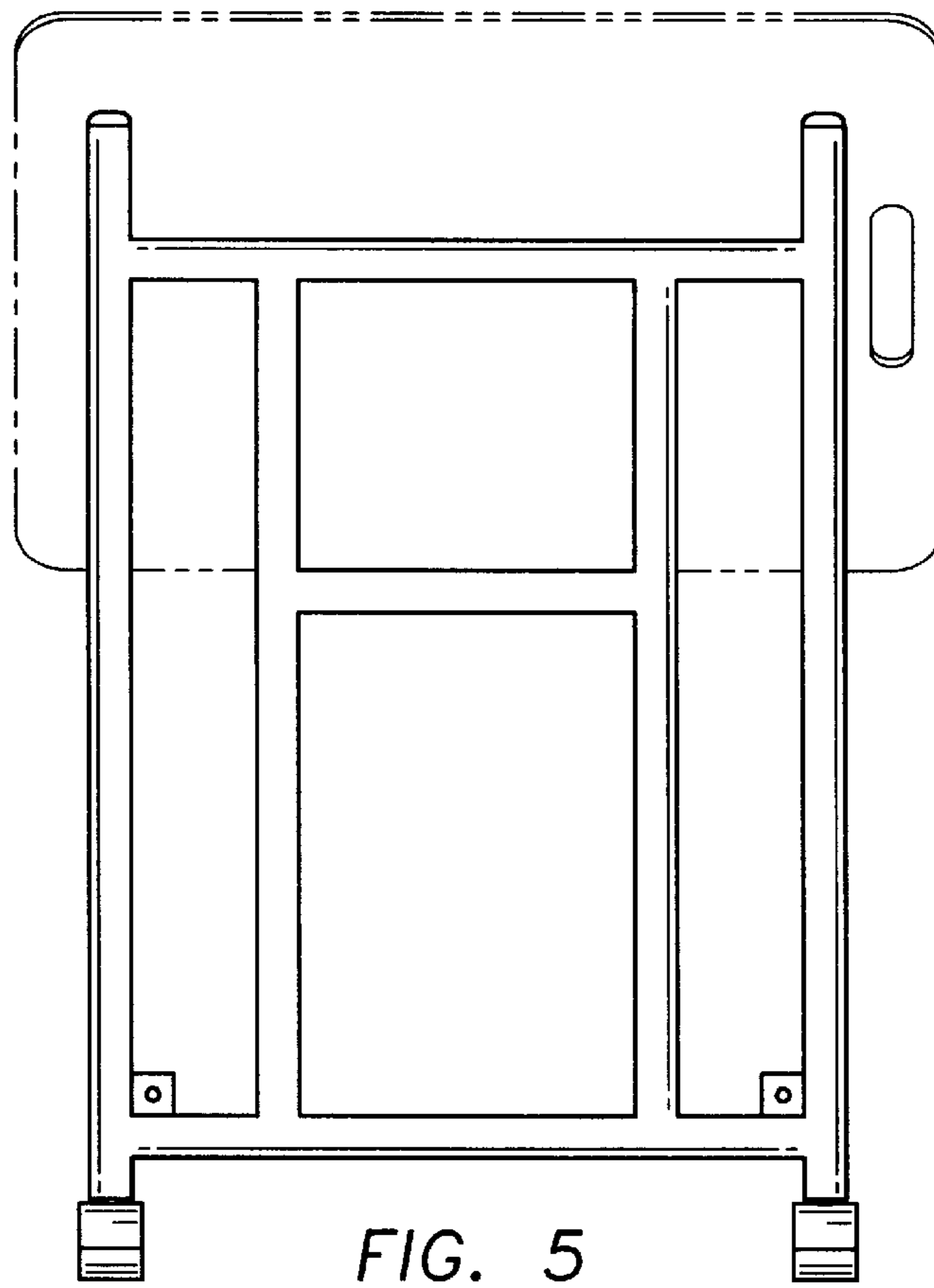


FIG. 5

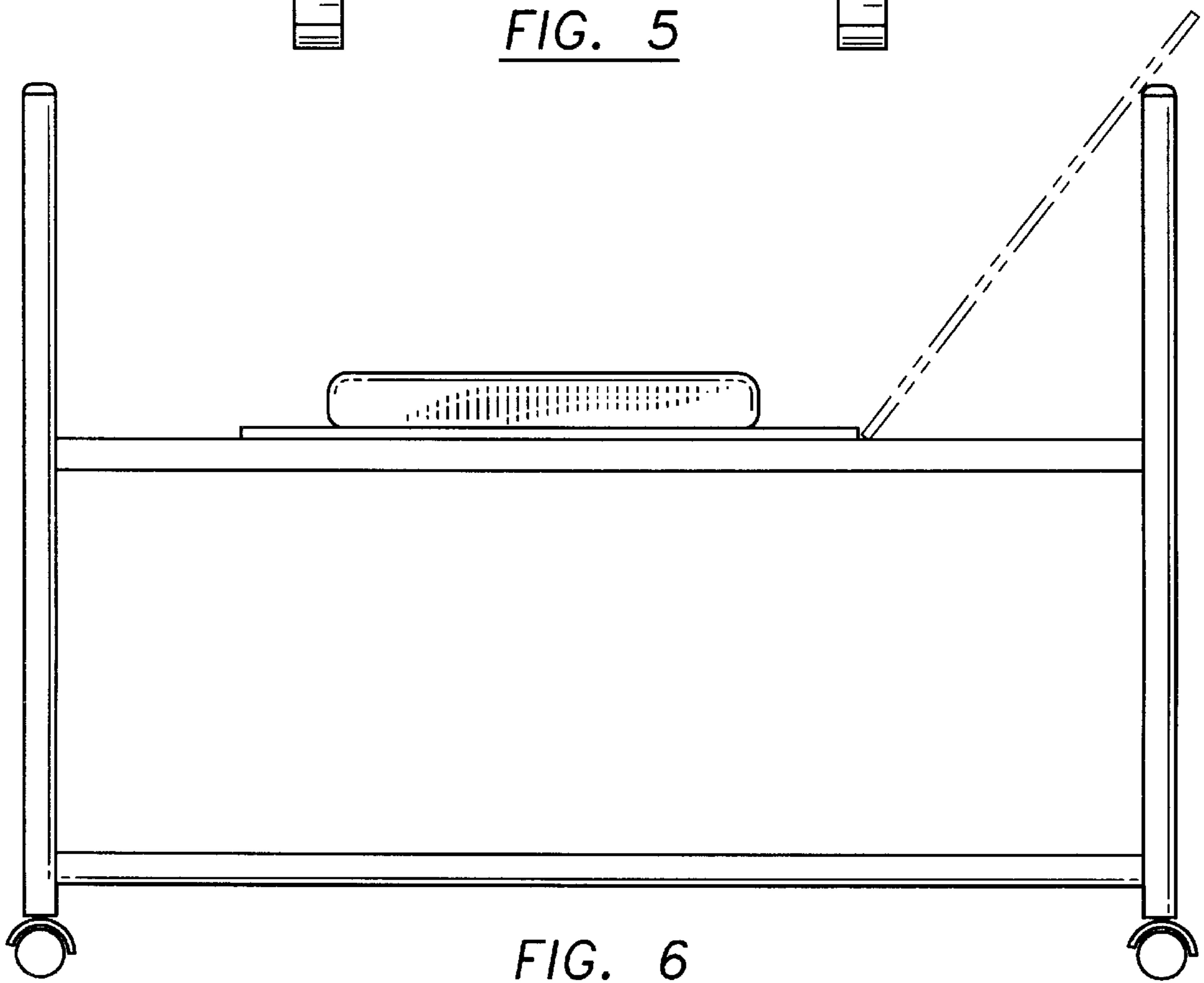


FIG. 6

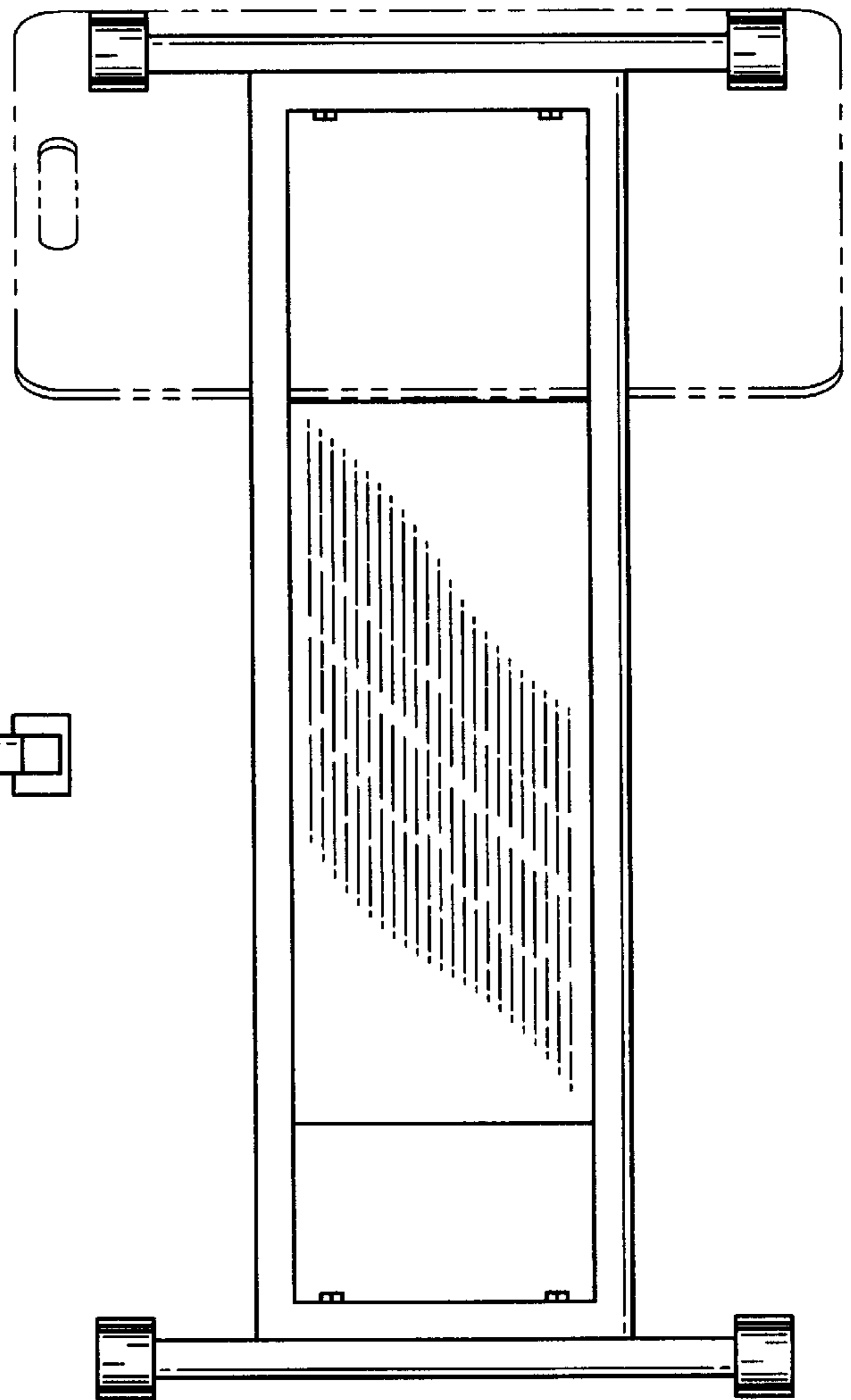


FIG. 7

