



US00D435974S

(12) **United States Design Patent**
Hsu et al.

(10) **Patent No.:** **US D435,974 S**

(45) **Date of Patent:** **** Jan. 9, 2001**

(54) **INFLATABLE FURNITURE**
(75) Inventors: **Yaw-Yuan Hsu**, Taipei; **Chin-Hsiang Pan**, Taipei Hsien, both of (TW)
(73) Assignee: **Intex Recreation Corp.**, Long Beach, CA (US)
(**) Term: **14 Years**

4,639,960	2/1987	Quillen et al.	5/455
5,292,175	3/1994	Artz	297/250.2
5,303,977	4/1994	Sereboff	297/230.1
5,360,360	11/1994	Peterson	441/130
5,556,169	9/1996	Parrish et al.	297/452.28
5,729,852	3/1998	Ribideau et al.	5/710
5,881,407	3/1999	Chu Pt	5/654
5,947,563	9/1999	Klimenko	297/452.41

OTHER PUBLICATIONS

16 C, 16 D, Lansburgh's, Apr. 1971.*

* cited by examiner

Primary Examiner—Doris V. Coles

Assistant Examiner—Mimosa De

(74) *Attorney, Agent, or Firm*—Lewis, D'Amato, Brisbois & Bisgaard LLP

(21) Appl. No.: **29/106,371**
(22) Filed: **Jun. 14, 1999**
(51) **LOC (7) Cl.** **06-01**
(52) **U.S. Cl.** **D6/334**
(58) **Field of Search** D6/334, 335, 336,
D6/364, 377, 365, 368, 500, 501, 502;
297/217.4, 452.41; D21/803

(57) **CLAIM**

The ornamental design for inflatable furniture, as shown and described.

(56) **References Cited**

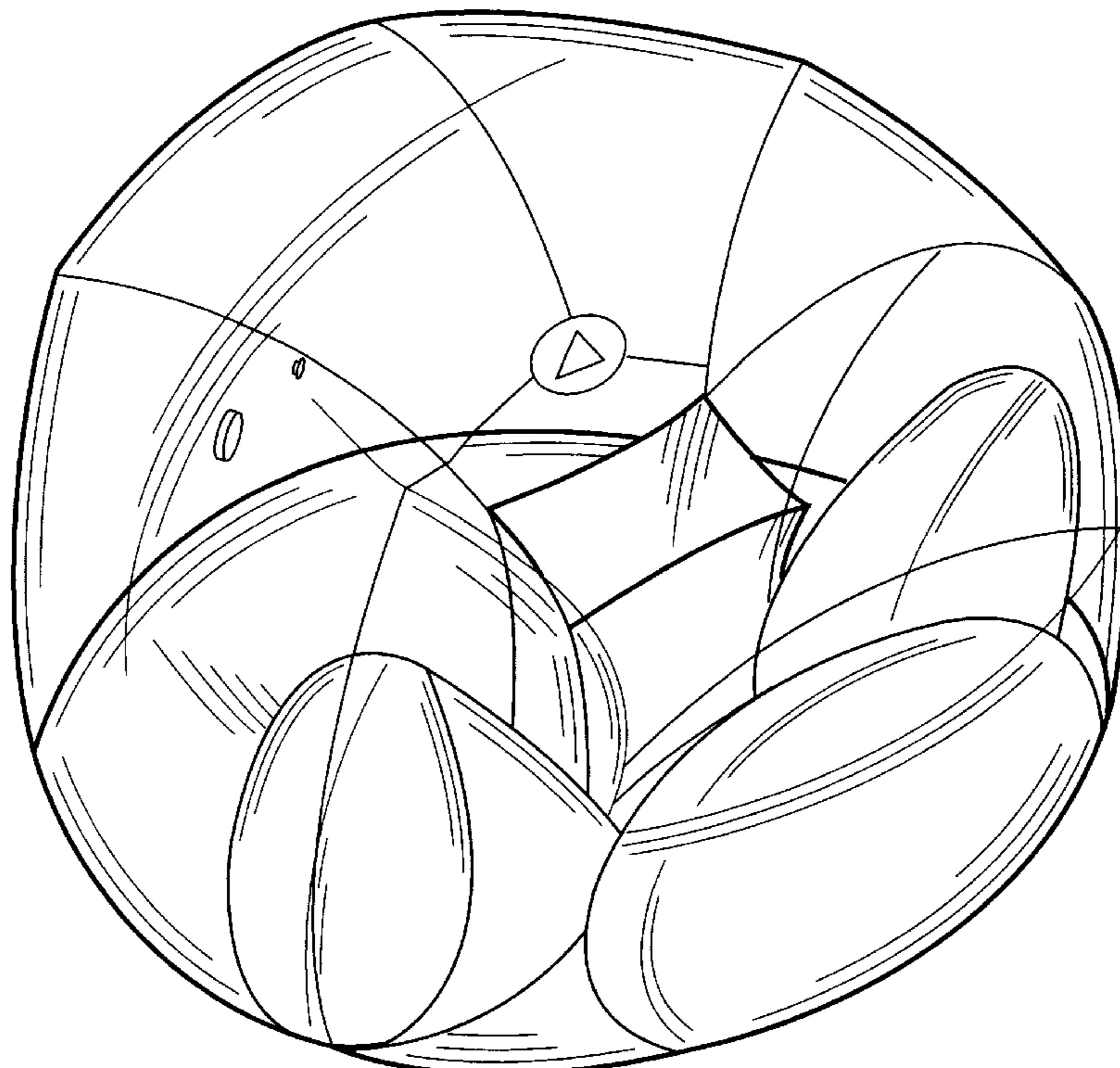
U.S. PATENT DOCUMENTS

D. 242,964 *	1/1977	Haynes, Sr.	D6/377
D. 265,027 *	6/1982	Meyers	D6/334
D. 302,719 *	8/1989	Hance et al.	D6/334
D. 374,127 *	10/1996	Diaz	D6/334
2,150,434	3/1939	Finlay	155/179
3,408,107	10/1968	Savage	297/456
3,428,974	2/1969	Stuart	5/348
3,556,593 *	1/1971	Speegle	D6/368
3,572,836	3/1971	Khanh	297/456
3,574,873	4/1971	Weinstein	5/348
3,740,095	6/1973	Nail	297/454
4,592,589	6/1986	Hellwig	297/284

DESCRIPTION

FIG. 1 is a perspective view of an inflatable furniture showing my new design;
FIG. 2 is a front elevation thereof;
FIG. 3 is a rear elevation thereof;
FIG. 4 is a right side elevation thereof, the left side being a mirror image thereof;
FIG. 5 is a top planar view thereof; and,
FIG. 6 is a bottom planar view thereof.

1 Claim, 5 Drawing Sheets



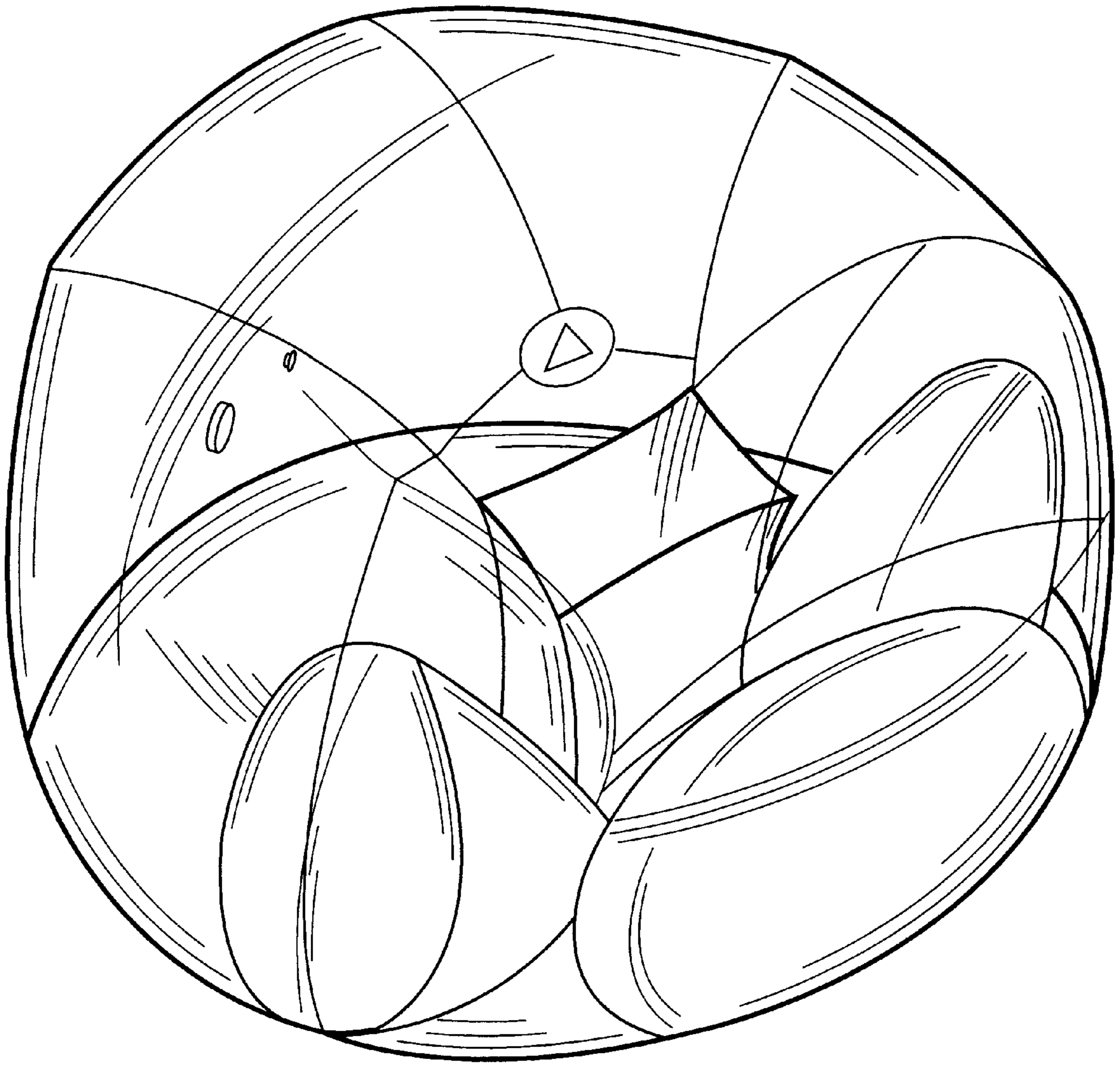


FIG. 1

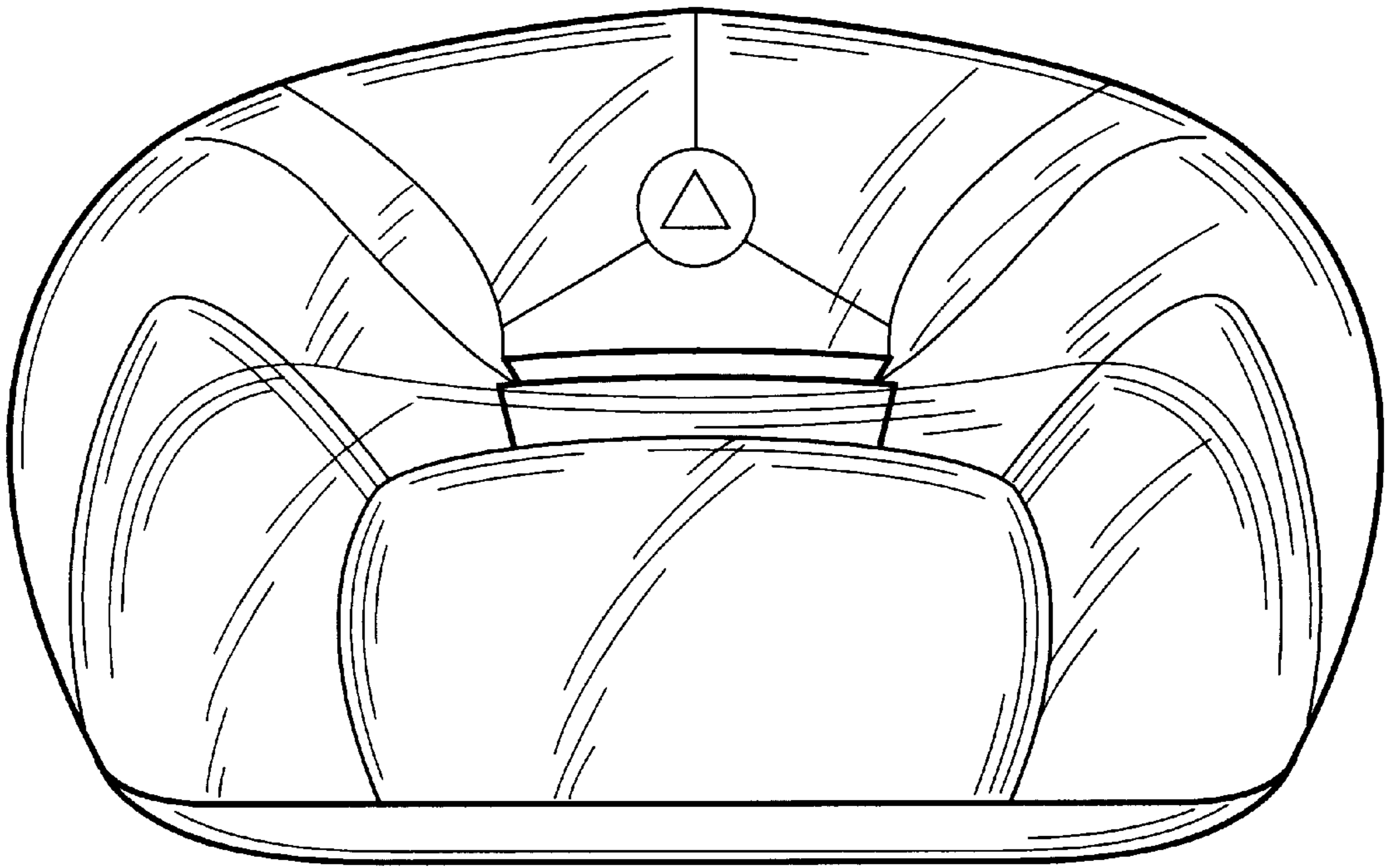


FIG. 2

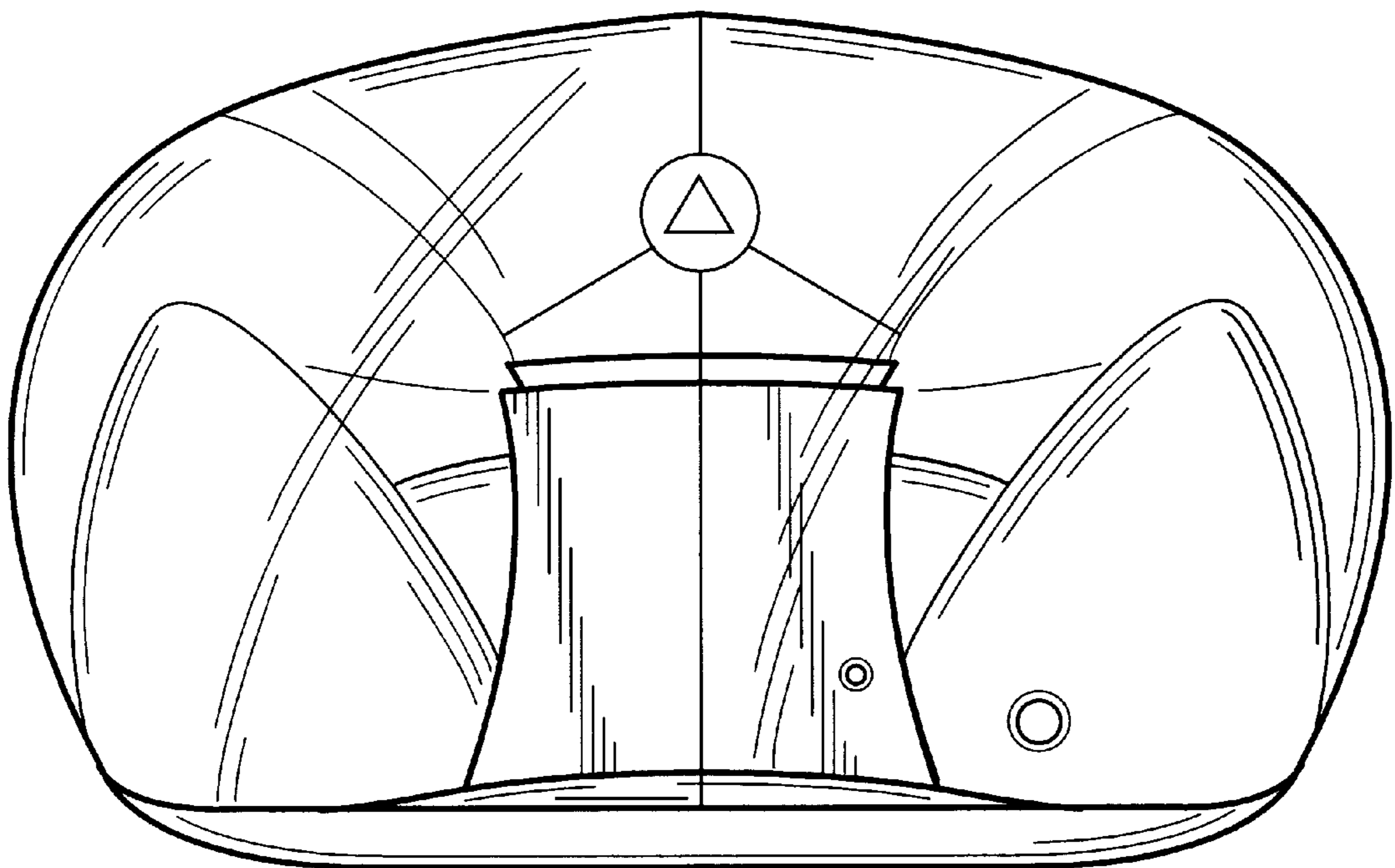


FIG. 3

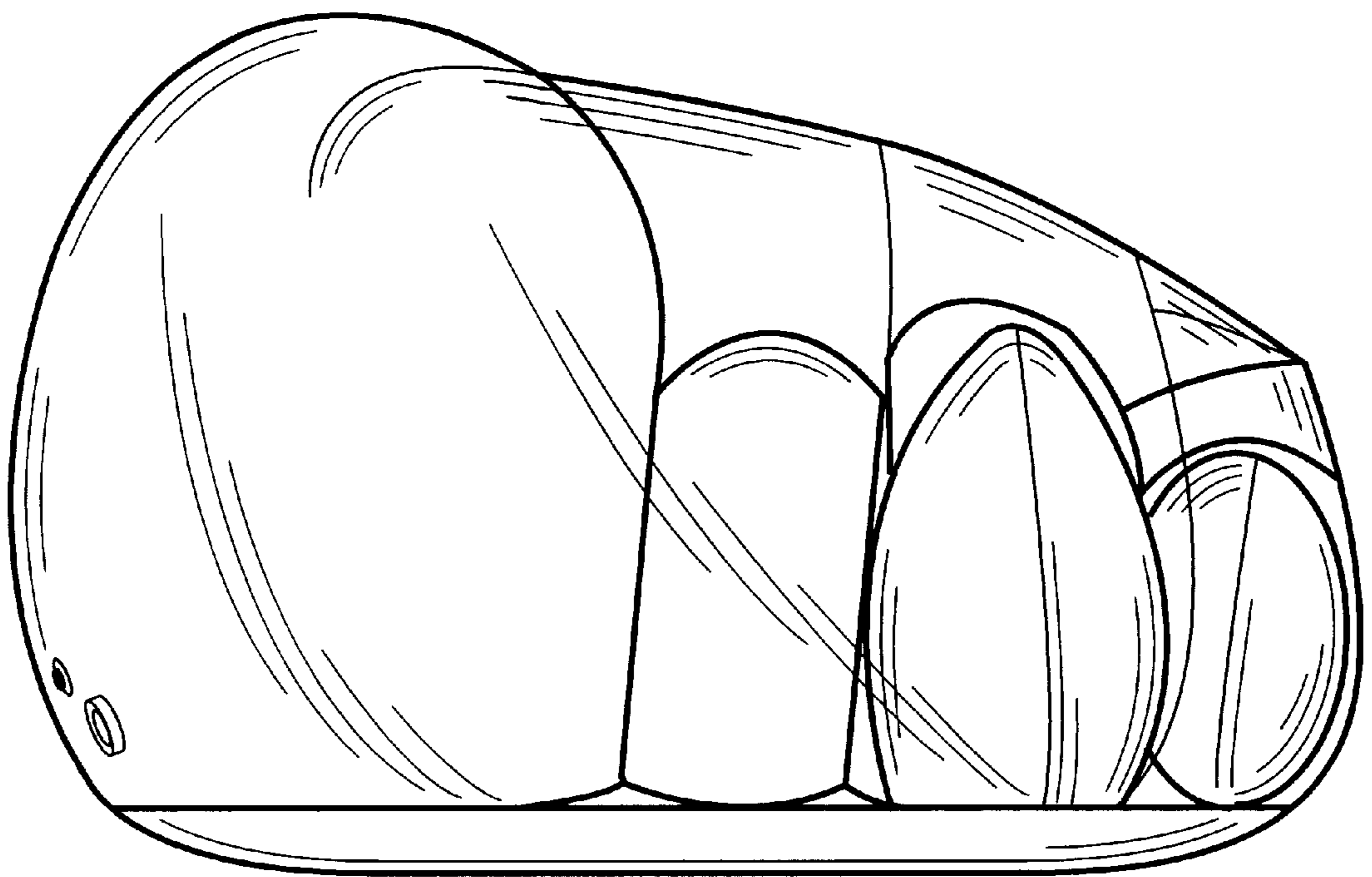


FIG. 4

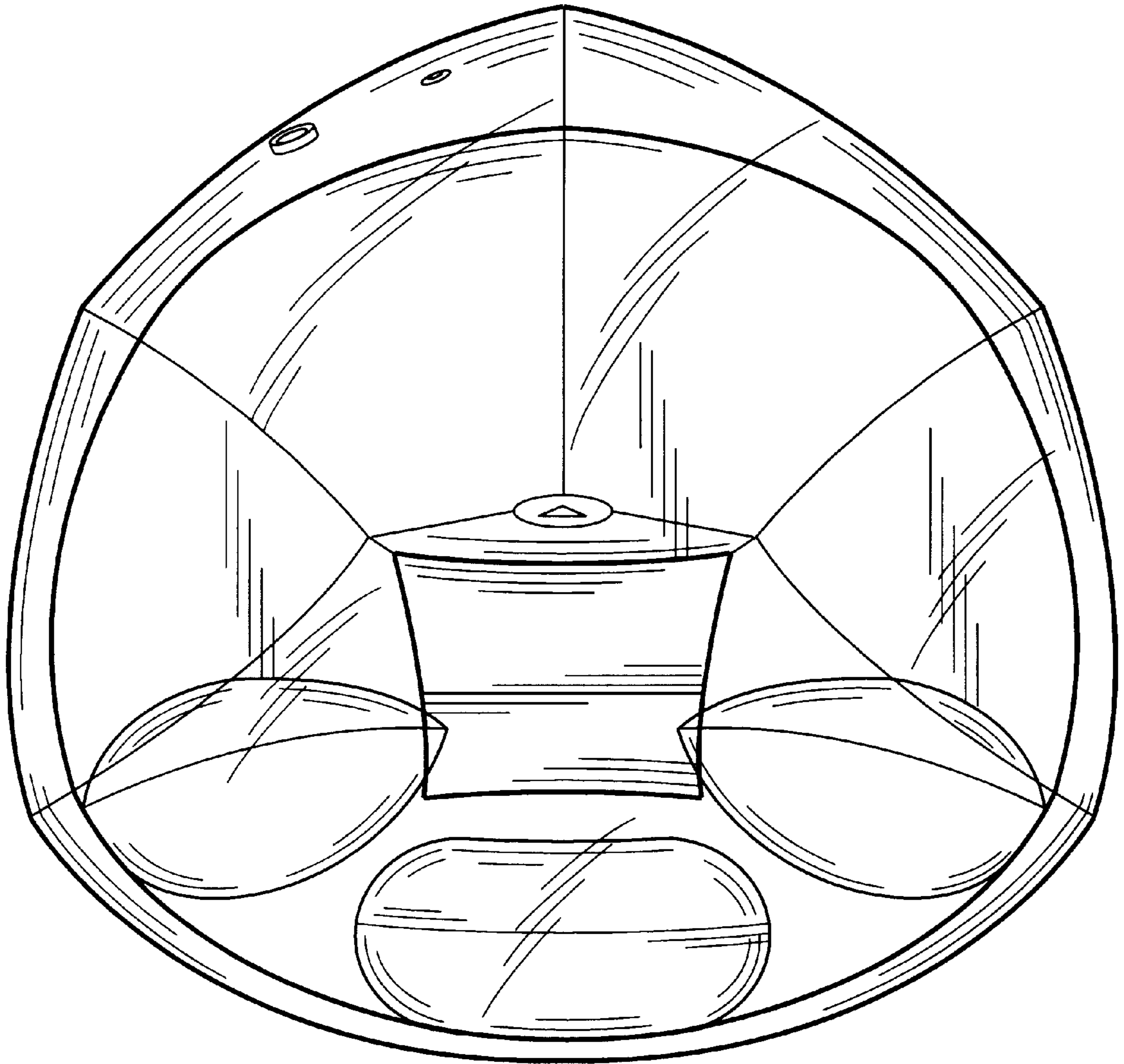


FIG. 5

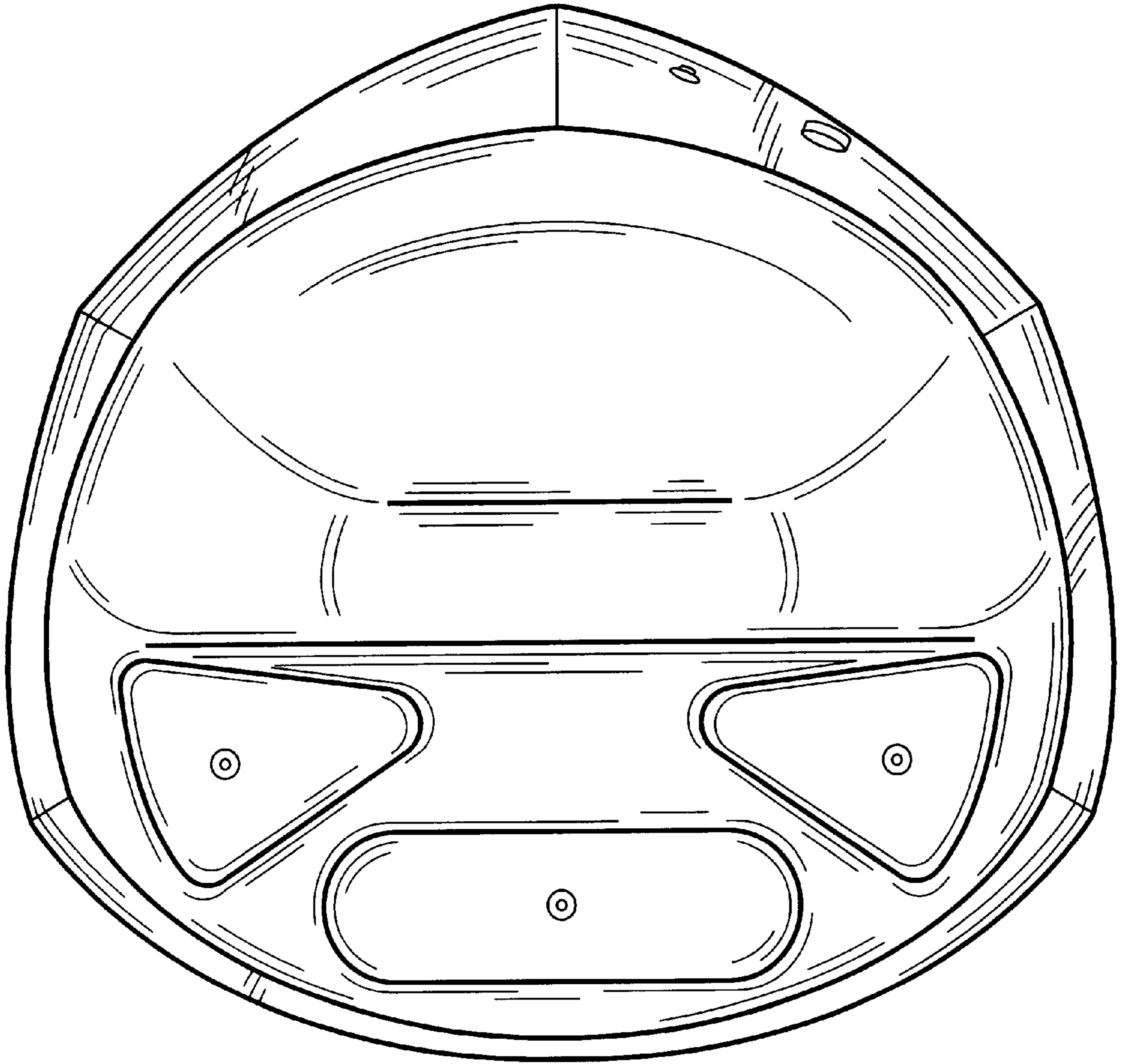


FIG. 6