



US00D435972S

(12) **United States Design Patent**  
**Moore**

(10) **Patent No.:** **US D435,972 S**

(45) **Date of Patent:** **\*\* Jan. 9, 2001**

(54) **ROBE HOOK**

(75) Inventor: **Glenn David Moore**, Newfoundland,  
NJ (US)

(73) Assignee: **Melard Manufacturing Corp.**, Passaic,  
NJ (US)

(\*\*) Term: **14 Years**

(21) Appl. No.: **29/122,689**

(22) Filed: **May 2, 2000**

(51) **LOC (7) Cl.** ..... **06-08**

(52) **U.S. Cl.** ..... **D6/323; D8/352**

(58) **Field of Search** ..... D6/316, 320, 323,  
D6/567, 569, 564; D8/367, 372, 350, 352;  
248/301, 304, 309.1; 211/87.01, 106.01,  
32

(56) **References Cited**

**U.S. PATENT DOCUMENTS**

D. 318,215 \* 7/1991 Fleming ..... D8/352

D. 389,326 \* 1/1998 Moore ..... D8/352

D. 398,451 \* 9/1998 Sharpe ..... D6/323

D. 423,335 \* 4/2000 Snell ..... D8/367

666,779 \* 1/1901 Torpey .

1,603,956 \* 10/1926 Johnson .

\* cited by examiner

*Primary Examiner*—B. J. Bullock

(74) *Attorney, Agent, or Firm*—Edgar A. Zarins; Lloyd D.  
Doigan

(57) **CLAIM**

The ornamental design for a robe hook, as shown and  
described.

**DESCRIPTION**

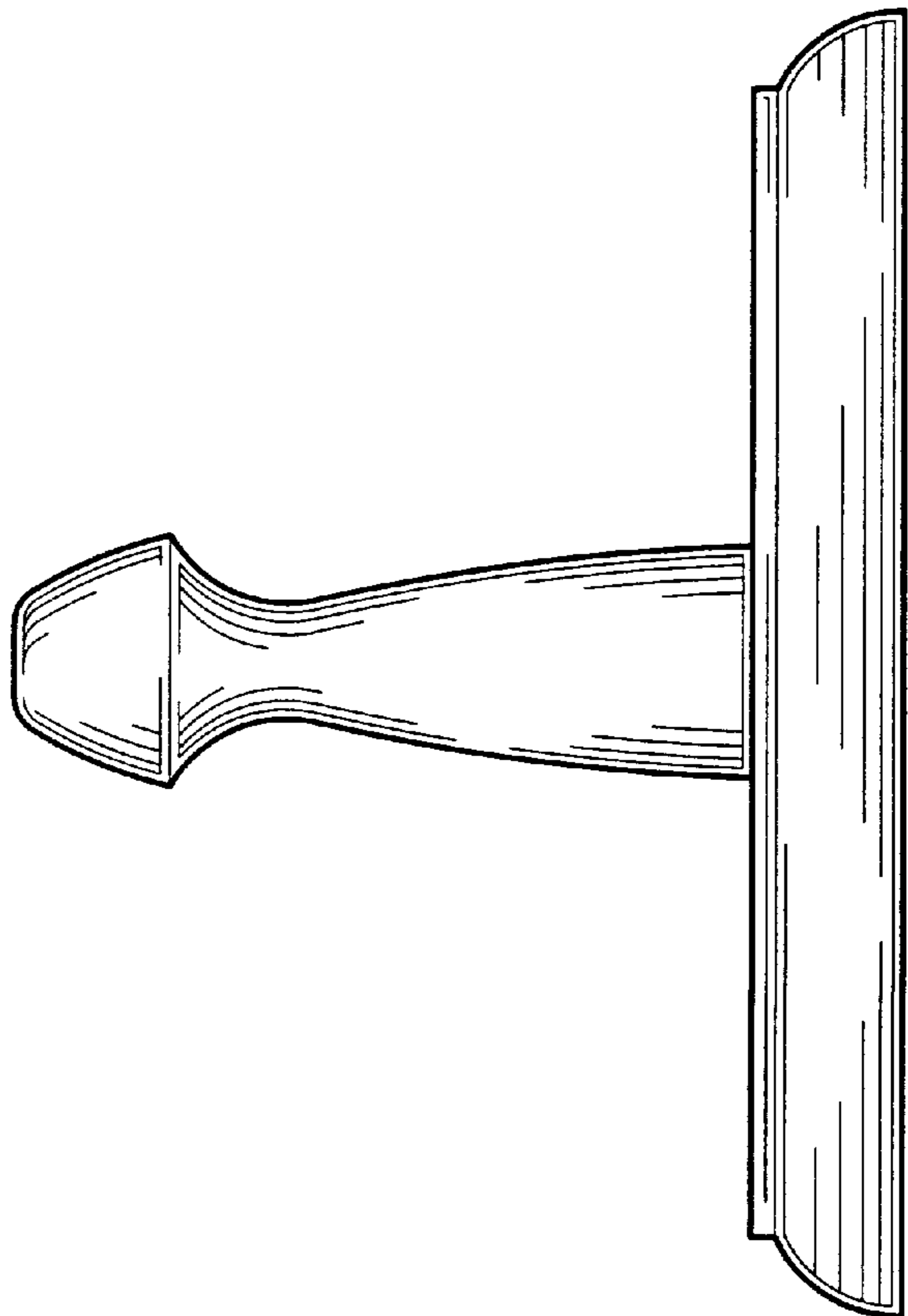
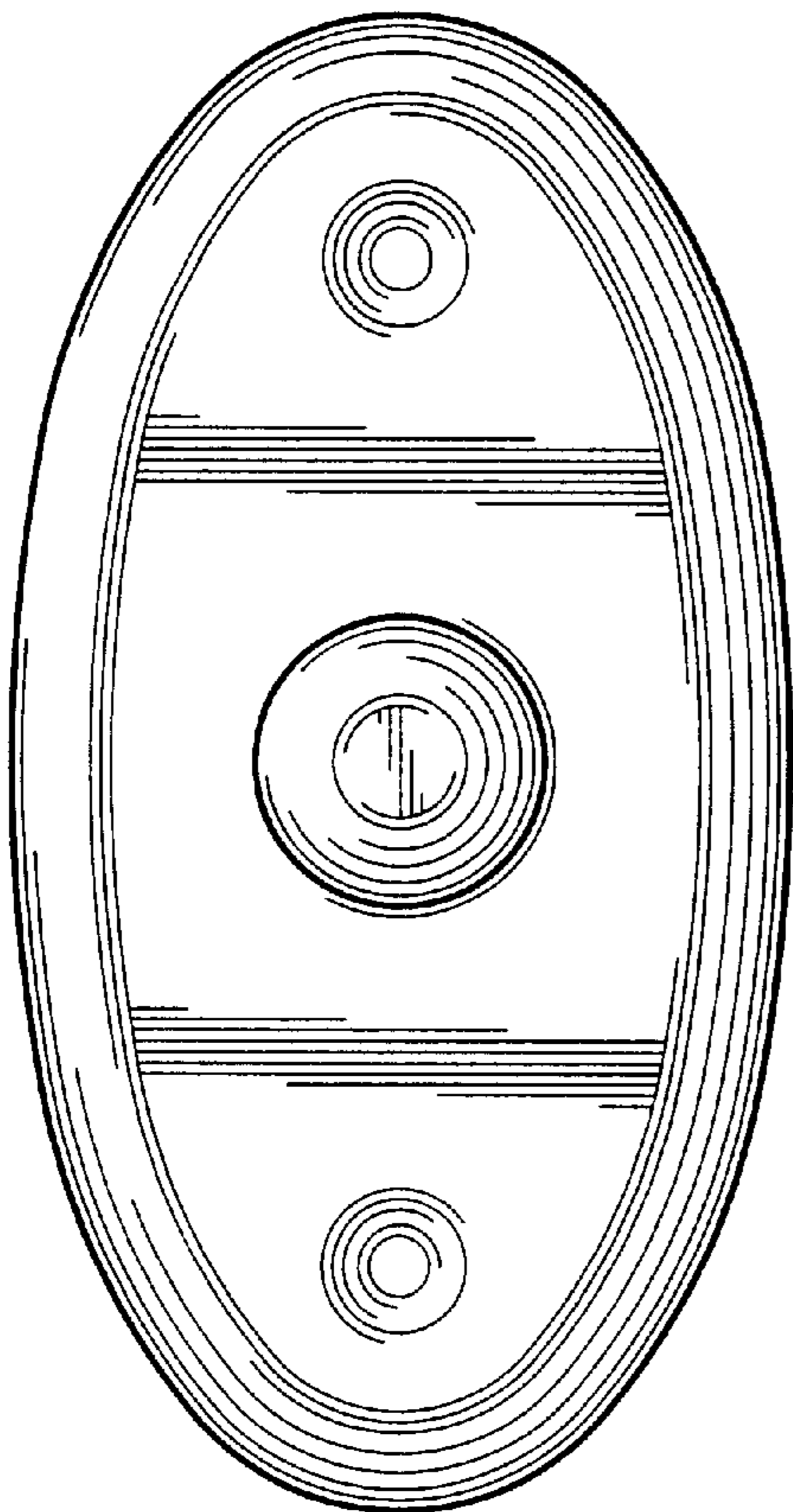
FIG. 1 is a front elevational view of a robe hook showing my  
new design;

FIG. 2 is a left side view thereof, the opposite side being a  
mirror image of the side shown;

FIG. 3 is a top plan view thereof; and,

FIG. 4 is a rear elevational view thereof.

**1 Claim, 2 Drawing Sheets**



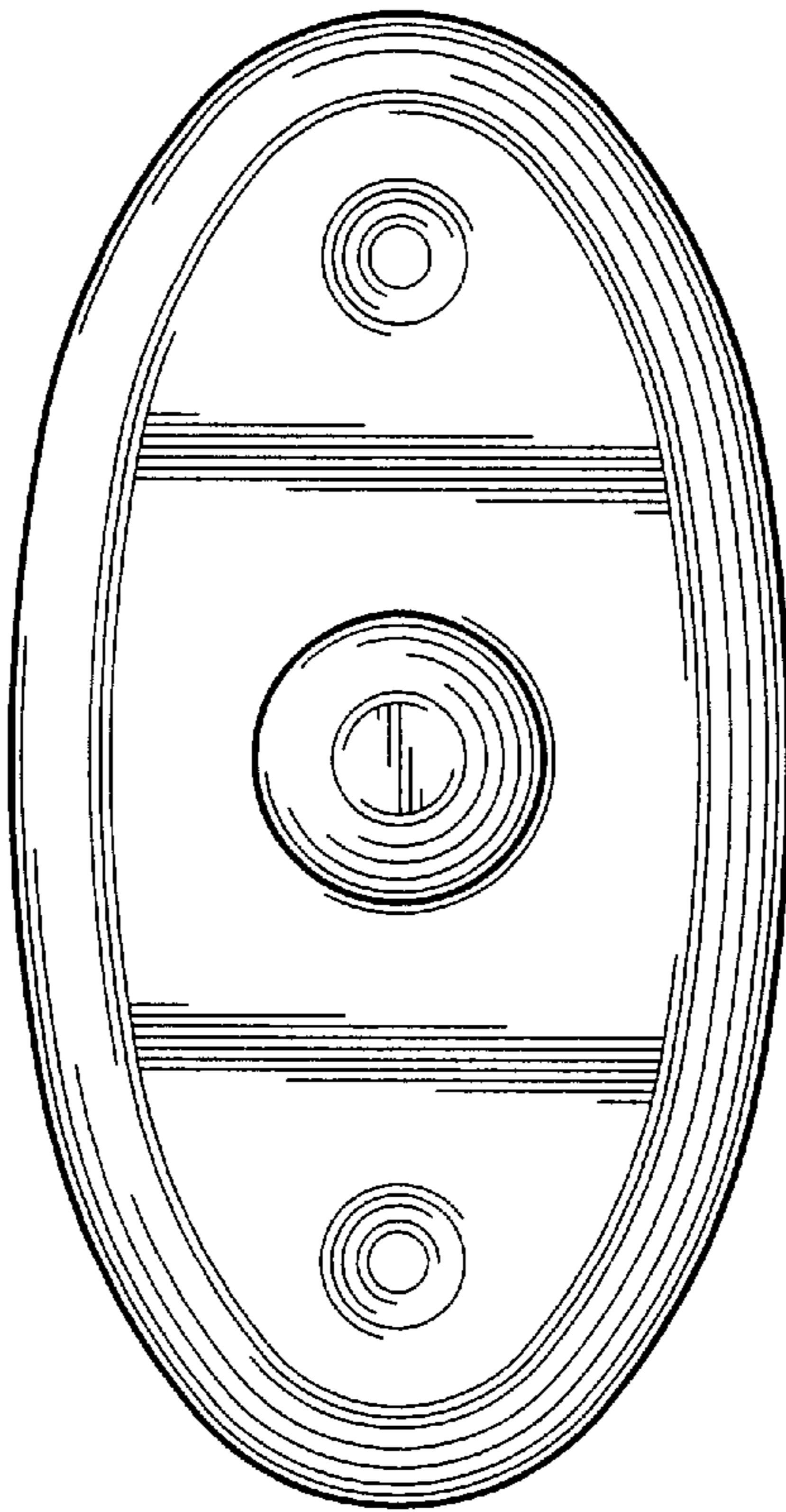


Figure - 1

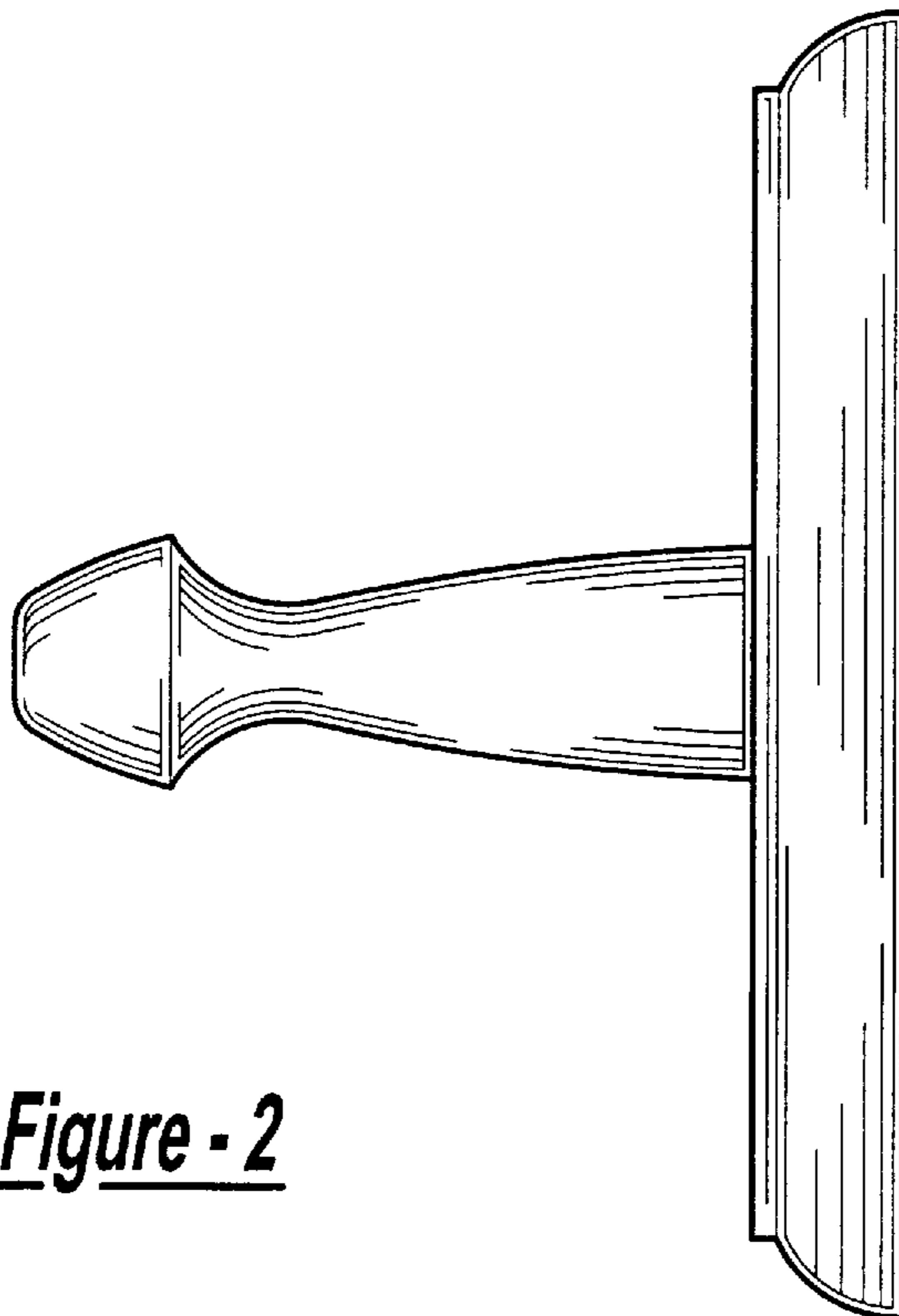


Figure - 2

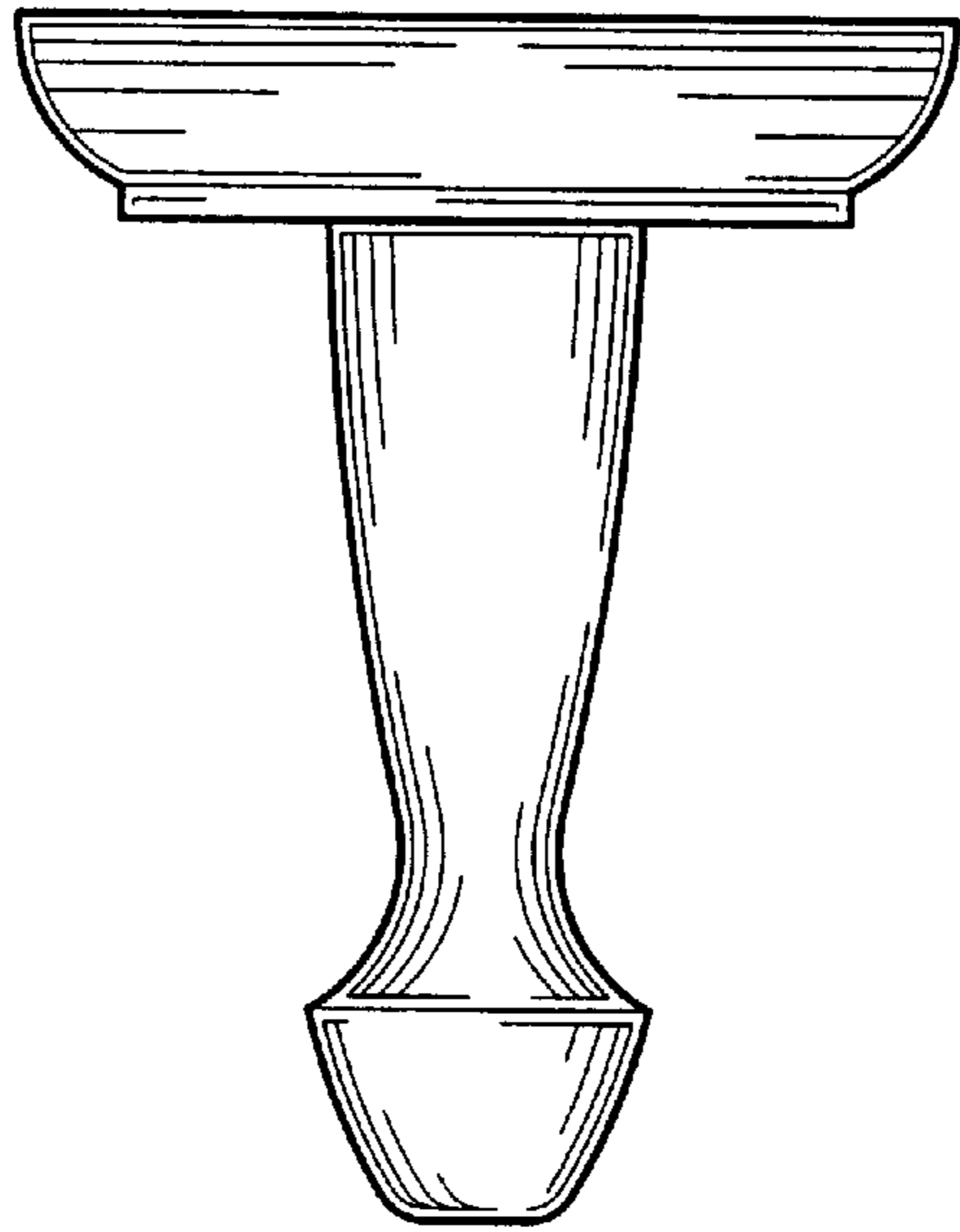


Figure - 3

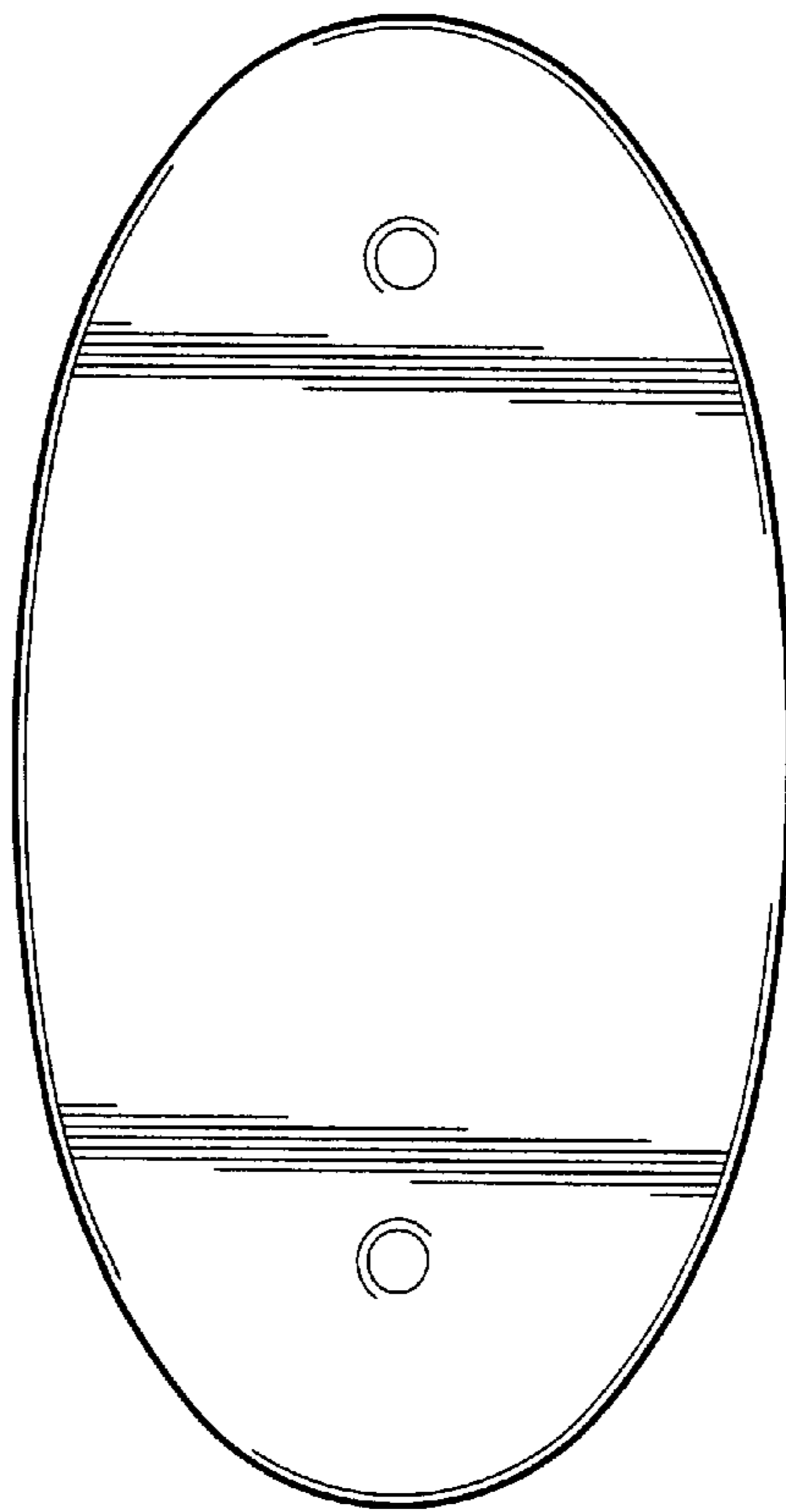


Figure - 4