



US00D435968S

(12) **United States Design Patent**  
**Mogil**

(10) **Patent No.:** **US D435,968 S**

(45) **Date of Patent:** **\*\* Jan. 9, 2001**

(54) **CARRYING CASE**

(75) Inventor: **Melvin S. Mogil**, Toronto (CA)

(73) Assignee: **California Innovations Inc.**, Toronto (CA)

(\*\*) Term: **14 Years**

(21) Appl. No.: **29/113,661**

(22) Filed: **Nov. 10, 1999**

(51) **LOC (7) Cl.** ..... **03-01**

(52) **U.S. Cl.** ..... **D3/283**

(58) **Field of Search** ..... D3/273-301; 190/100,  
190/108, 109, 111, 112, 115, 124-127,  
903

(56) **References Cited**

**U.S. PATENT DOCUMENTS**

D. 99,814	*	5/1936	Laufman	.....	D3/289
D. 369,024	*	4/1996	King et al.	.....	D3/283
D. 375,629	*	11/1996	Chen	.....	D3/289
D. 383,360	*	9/1997	Melk	.....	D3/276

2,827,096 \* 3/1958 Hinson ..... 190/111

3,437,181 \* 4/1969 Blount, Jr. .... 190/111

5,209,328 \* 5/1993 Kotkins, Jr. et al. .... 190/111

\* cited by examiner

*Primary Examiner*—Raphael Barkai

(74) *Attorney, Agent, or Firm*—Arent Fox Kintner Plotkin & Kahn, PLLC

(57) **CLAIM**

The ornamental design for a carrying case, as shown and described.

**DESCRIPTION**

FIG. 1 is a perspective view of a carrying case showing my new design;

FIG. 2 is a front view thereof;

FIG. 3 is a rear view thereof;

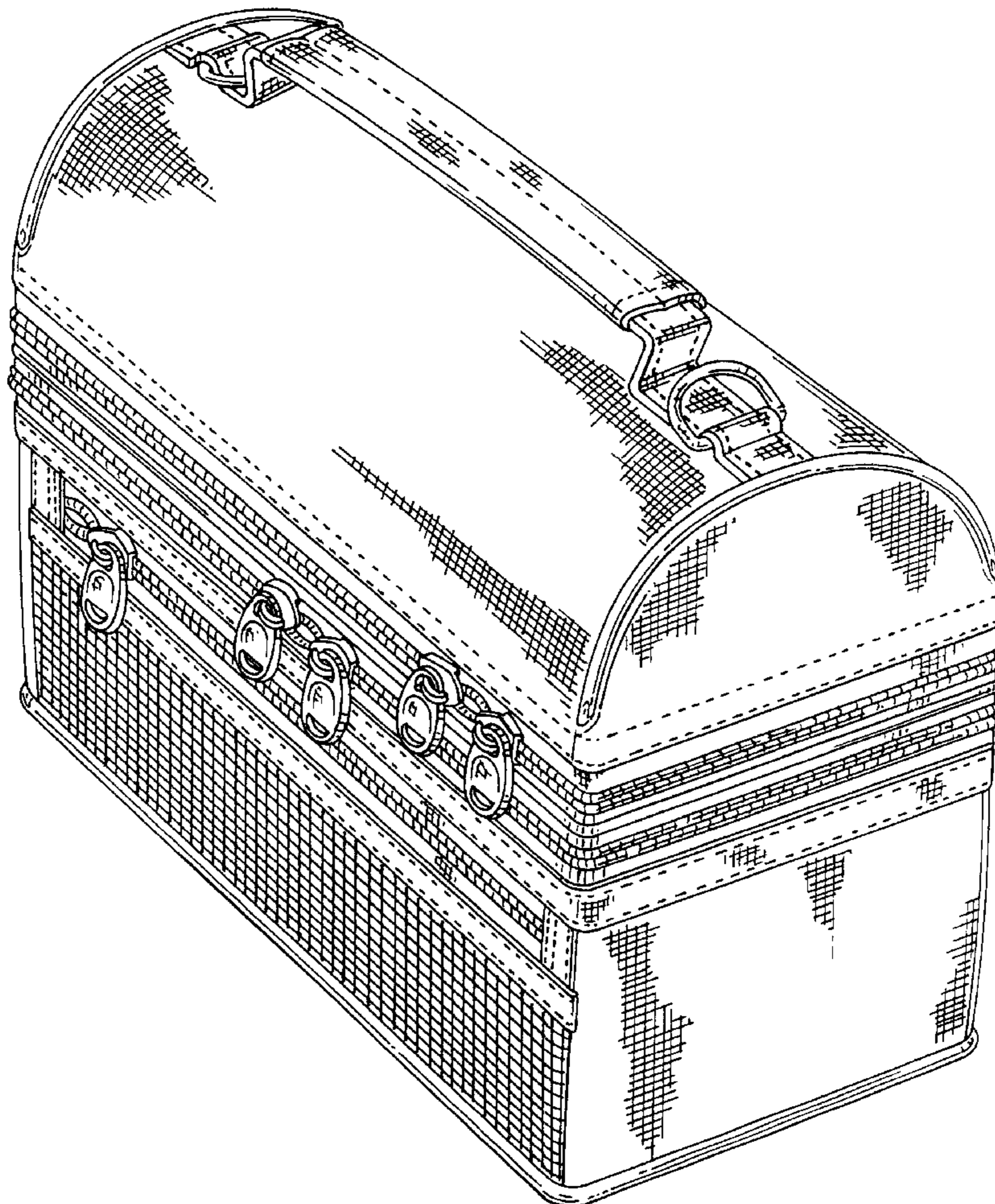
FIG. 4 is right side view thereof;

FIG. 5 is a left side view thereof;

FIG. 6 is a top view thereof; and,

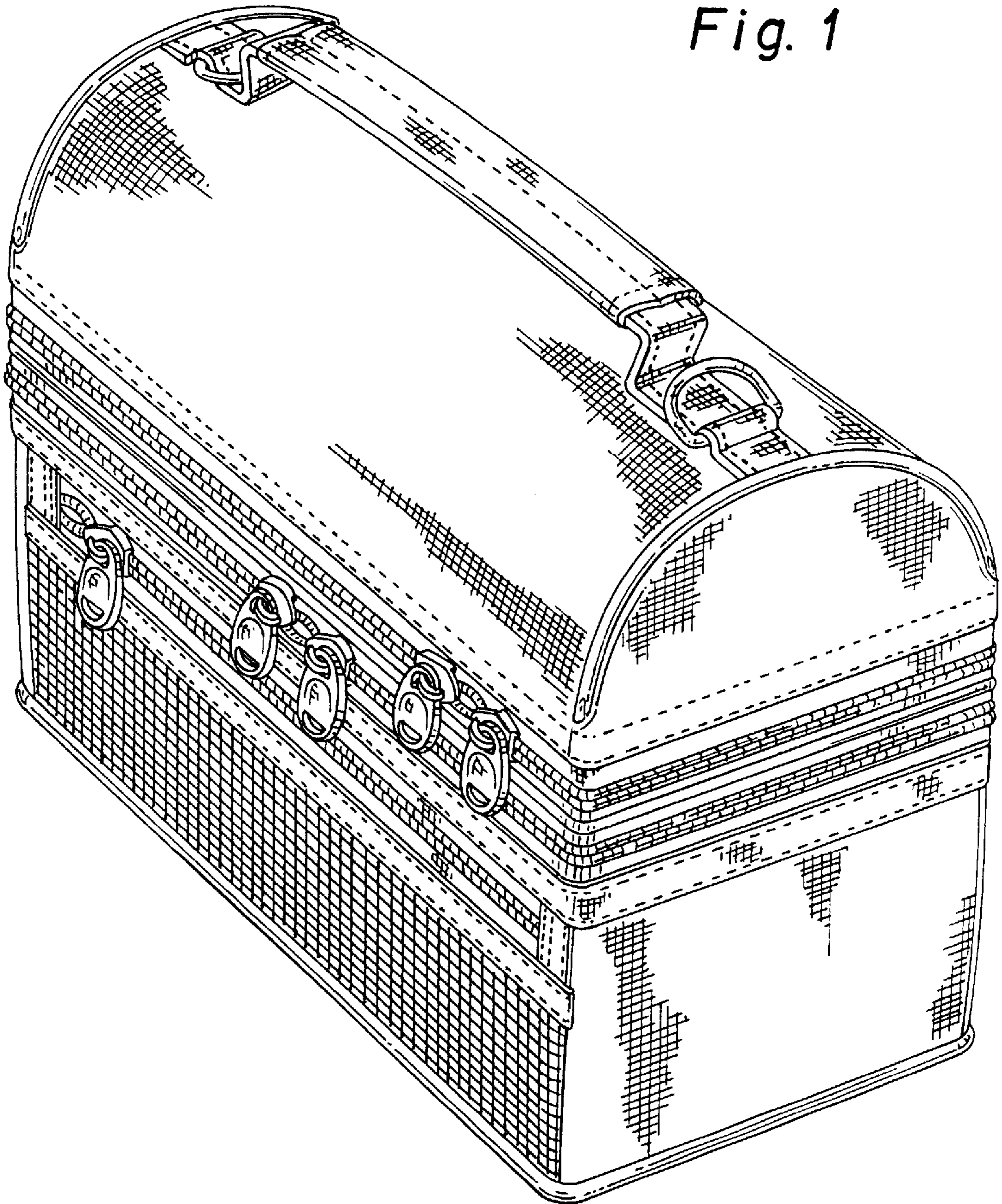
FIG. 7 is a bottom view thereof.

**1 Claim, 7 Drawing Sheets**





*Fig. 1*



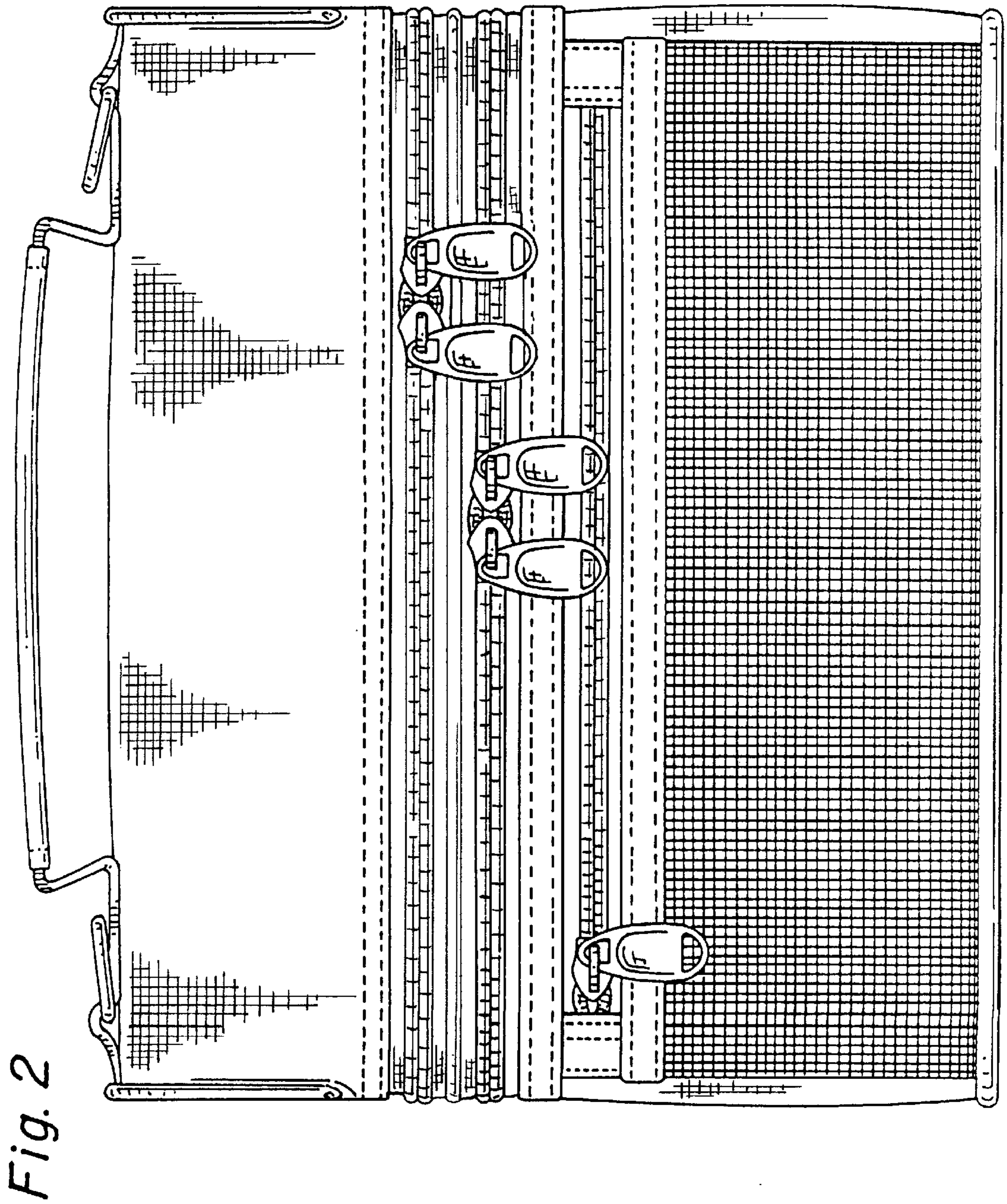
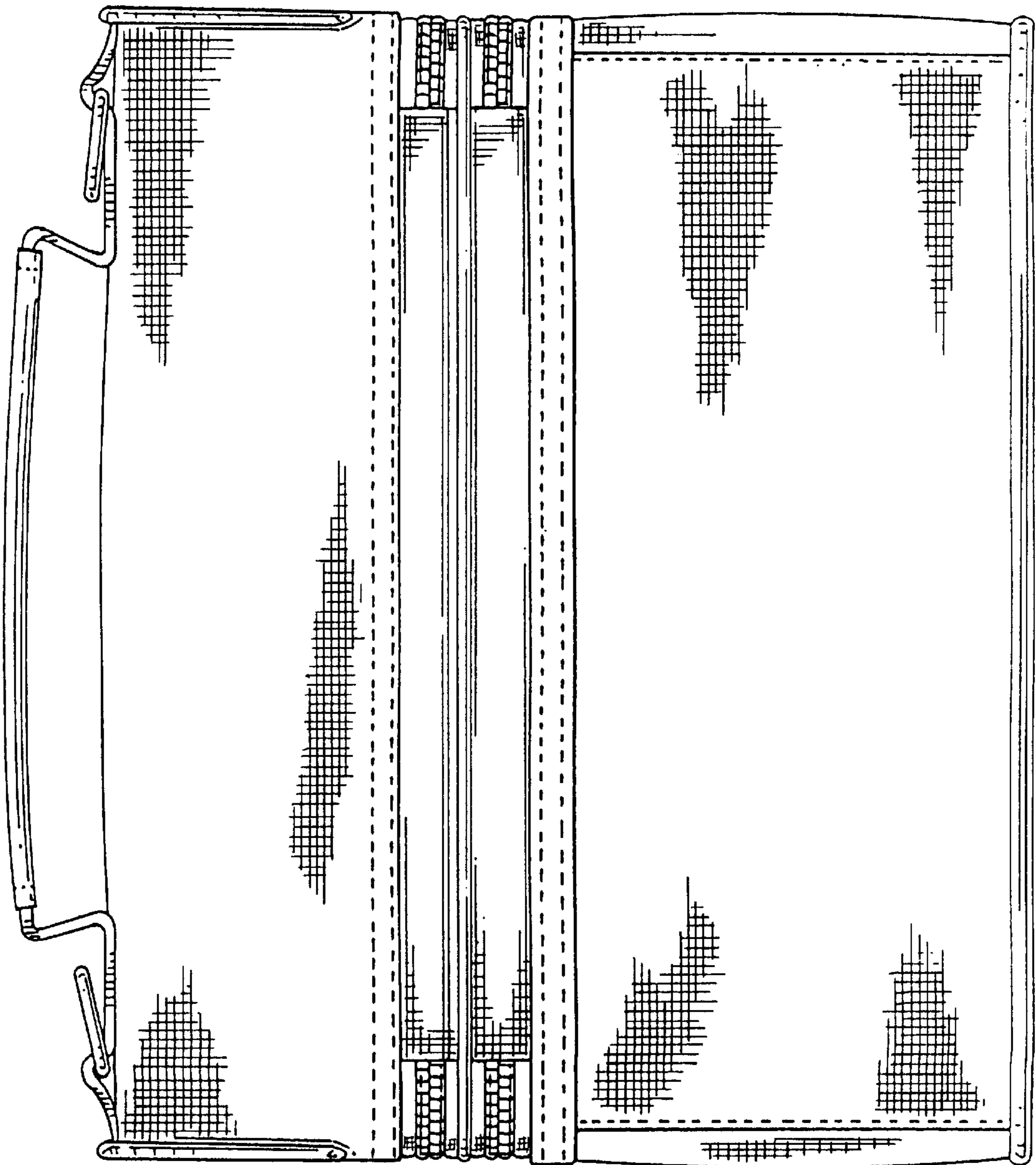
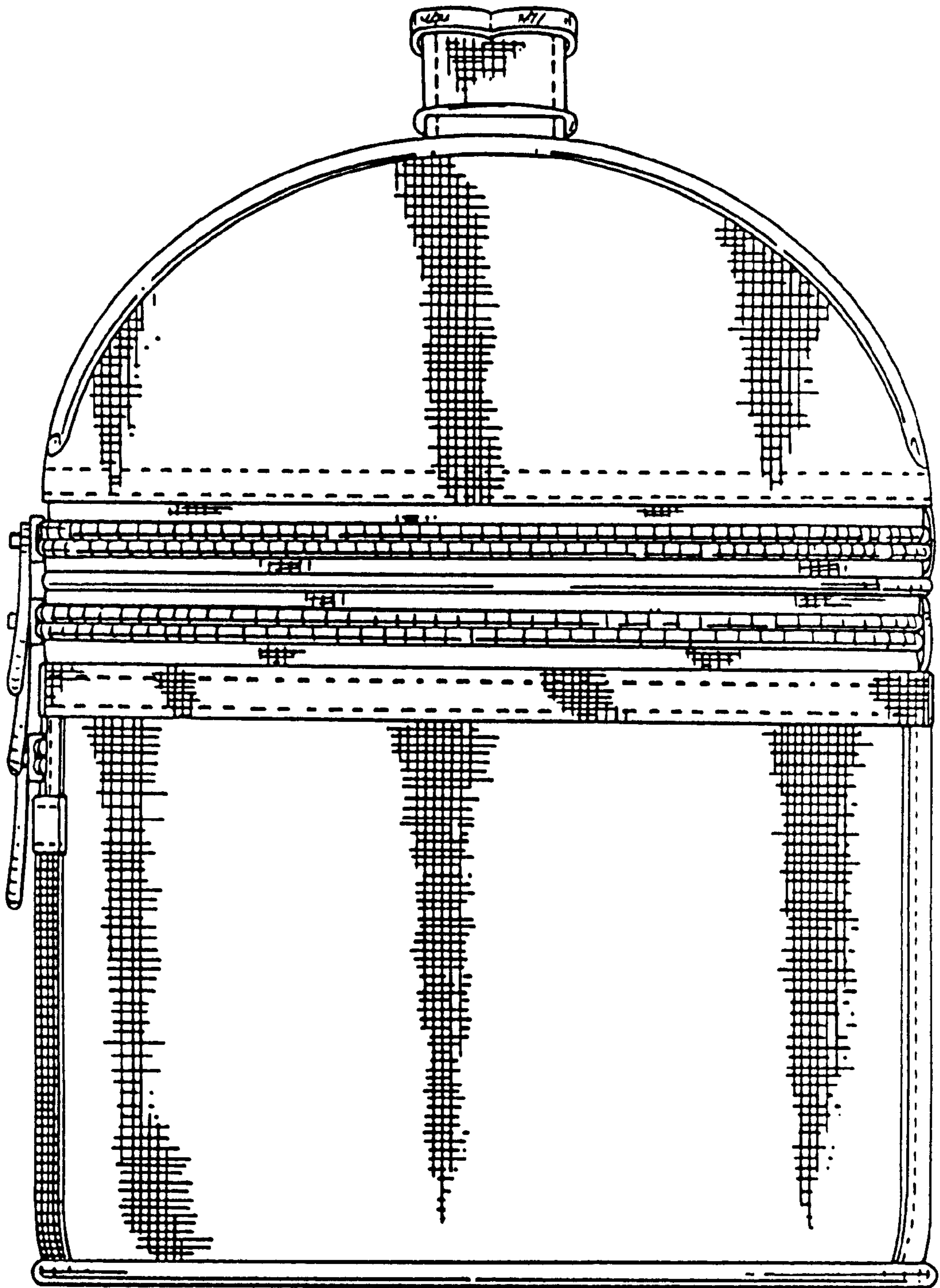


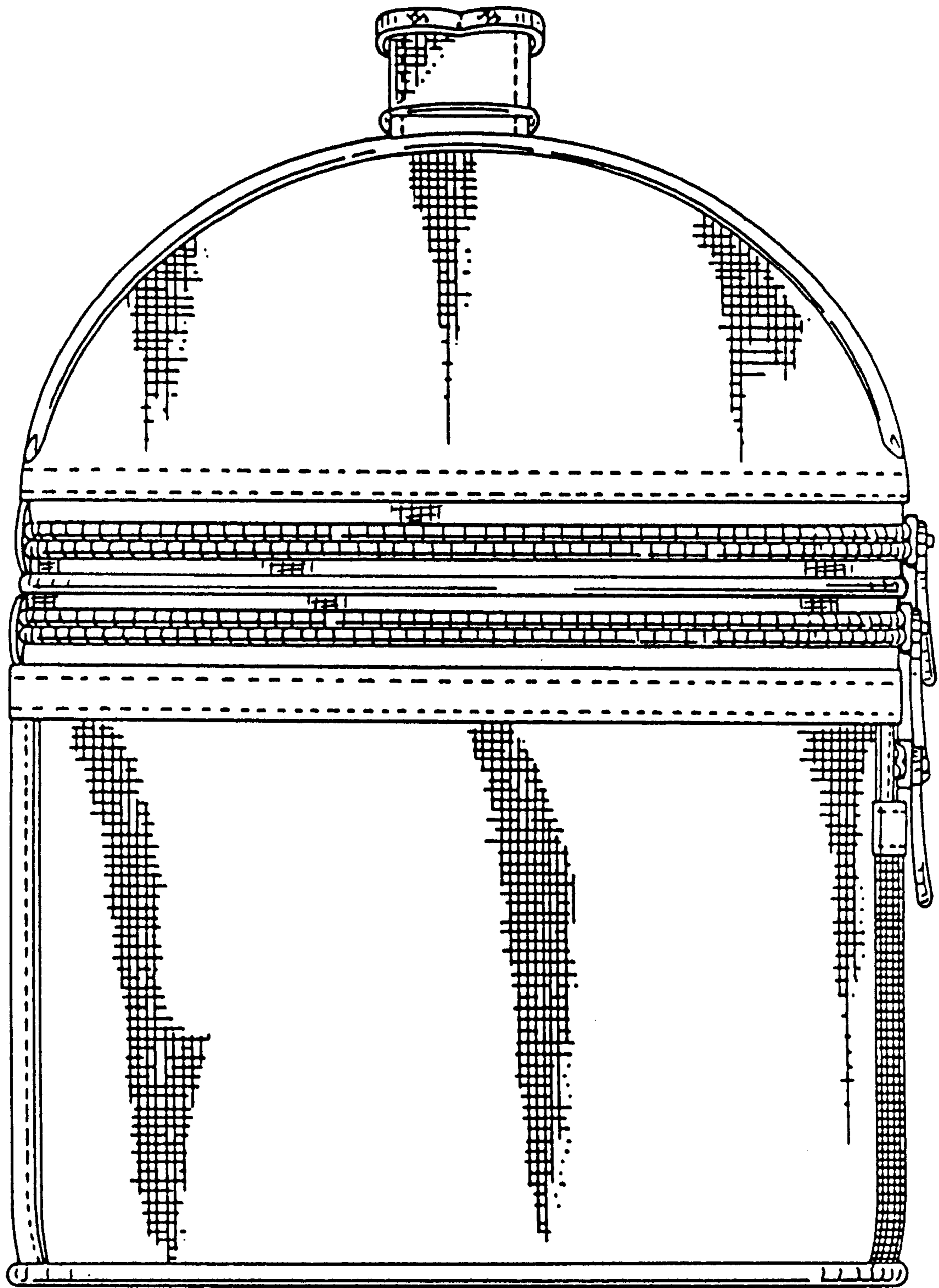


Fig. 3





*Fig. 4*



*Fig. 5*

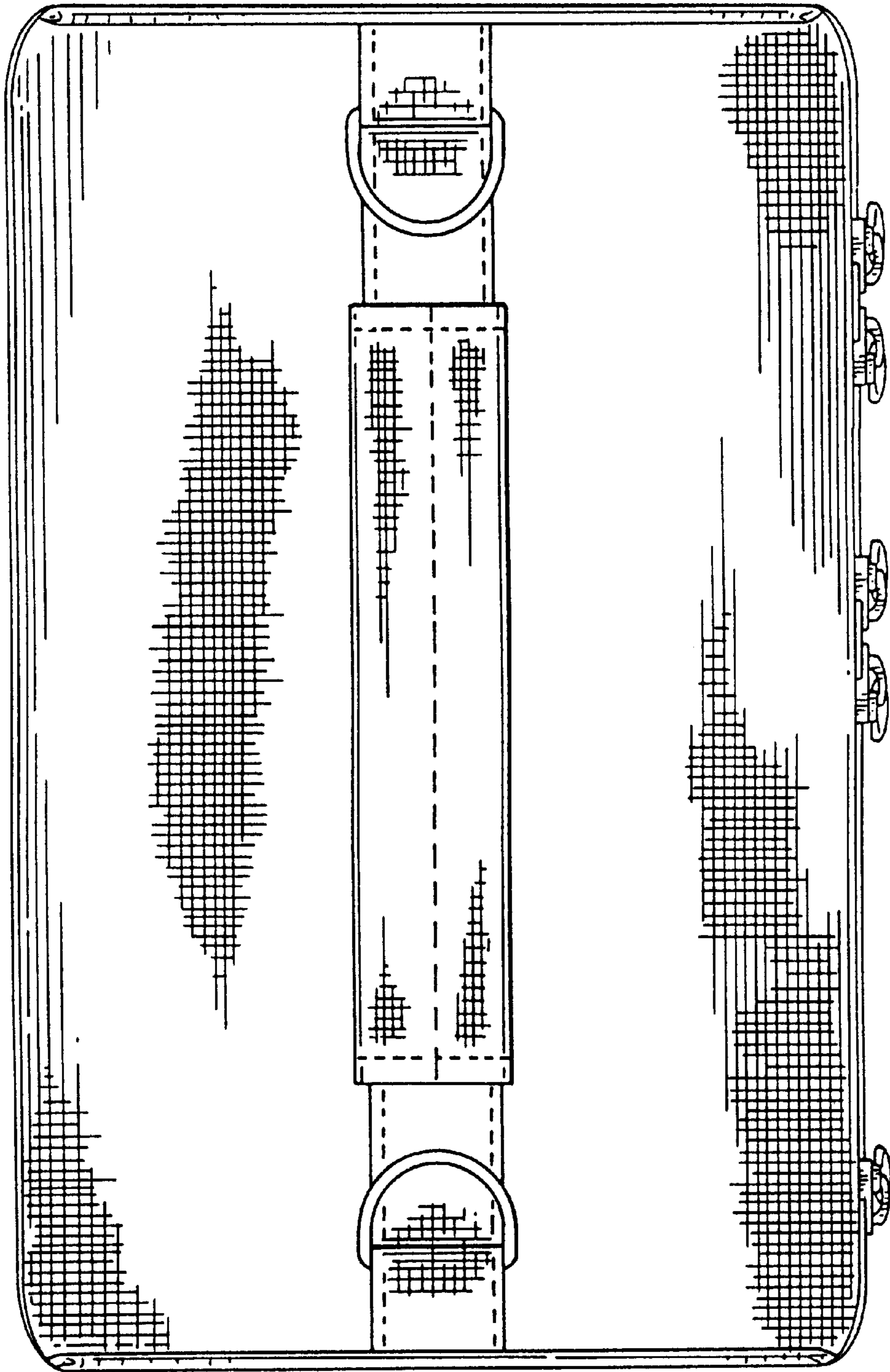


Fig. 6



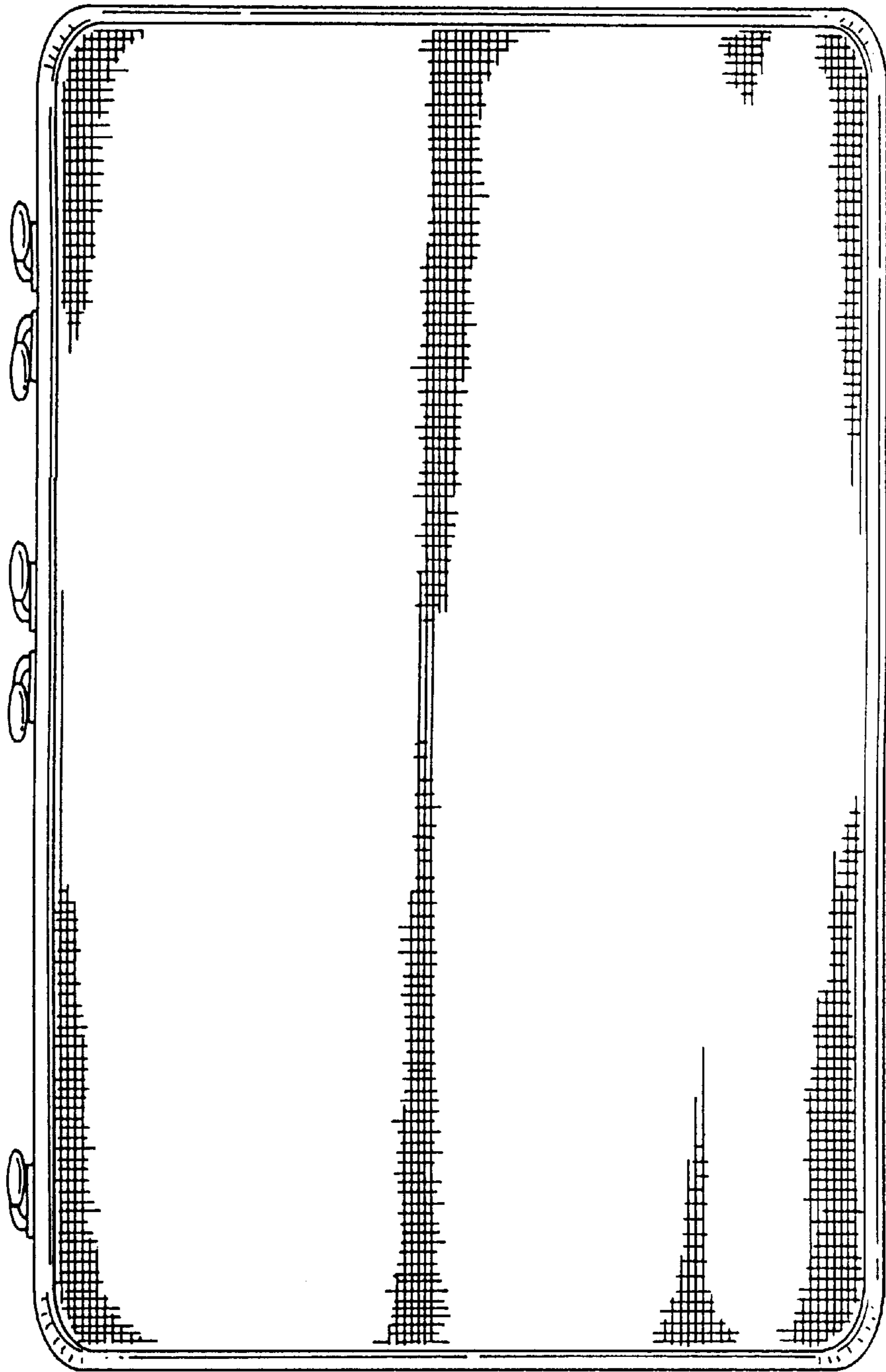


Fig. 7