



US00D435966S

(12) **United States Design Patent** (10) **Patent No.:** **US D435,966 S**
Duis et al. (45) **Date of Patent:** **** Jan. 9, 2001**

(54) **CONTACT LENS CONTAINER**

(75) Inventors: **Donnie J. Duis; Jerry Wayne Dukes; Gregory Scott Duncan; George E. Himes; James Malcolm Peck**, all of Jacksonville, FL (US); **Kornelis Renkema**, Nuenen (NL)

(73) Assignee: **Johnson & Johnson Vision Care, Inc.**, Jacksonville, FL (US)

(**) Term: **14 Years**

(21) Appl. No.: **29/099,890**

(22) Filed: **Jan. 29, 1999**

(51) **LOC (7) Cl.** **03-01**

(52) **U.S. Cl.** **D3/264**

(58) **Field of Search** D3/201, 263, 264, D3/265, 266; D9/415, 423, 341; 206/5.1, 207, 210, 5, 6; 312/31

(56) **References Cited**

U.S. PATENT DOCUMENTS

D. 151,643	*	11/1948	MacKenzie	D3/264
D. 357,115	*	4/1995	Abrams et al.	D3/264
D. 358,481	*	5/1995	Abrams et al.	D3/264
D. 365,679	*	1/1996	Abrams et al.	D3/264
D. 371,678	*	7/1996	Borghorst et al.	D3/264
D. 380,898	*	7/1997	Lovell	D3/264
D. 401,762	*	12/1998	Abrams et al.	D3/264
D. 417,840	*	12/1999	Alpert	D9/341
5,515,964	*	5/1996	Bauman	206/5.1

* cited by examiner

Primary Examiner—Louis S. Zarfaz

Assistant Examiner—Catherine R. Oliver

(74) *Attorney, Agent, or Firm*—Anne B. Kiernan

(57) **CLAIM**

The ornamental design for a contact lens container, as shown and described.

DESCRIPTION

FIG. 1 is a perspective view of a contact lens container showing my new design;

FIG. 2 is a top plan view thereof;

FIG. 3 is a left side elevational view thereof, the opposite side being a mirror image;

FIG. 4 is a bottom plan view thereof;

FIG. 5 is a front elevational view thereof;

FIG. 6 is a rear elevational view thereof;

The broken line showing a lid in the drawings is for illustrative purposes only and forms no part of the claimed design.

FIG. 7 is a perspective view thereof showing a lid partially removed in phantom;

The broken line showing a lid in the drawings is for illustrative purposes only and forms no part of the claimed design.

The broken line showing additional containers in the drawings is for illustrative purposes only and forms no part of the claimed design.

FIG. 8 is a perspective view of three containers showing a lid in phantom.

FIG. 9 is a perspective view of a second embodiment of that shown in FIG. 1;

FIG. 10 is a top plan view thereof;

FIG. 11 is a left side elevational view thereof, the opposite side being a mirror image;

FIG. 12 is a bottom plan view thereof;

FIG. 13 is a front elevational view thereof;

FIG. 14 is a rear elevational view thereof;

The broken line showing a lid in the drawings is for illustrative purposes only and forms no part of the claimed design.

FIG. 15 is a perspective view thereof showing a lid partially removed in phantom; and

The broken line showing a lid in the drawings is for illustrative purposes only and forms no part of the claimed design.

The broken line showing additional containers in the drawings is for illustrative purposes only and forms no part of the claimed design; and,

FIG. 16 is a perspective view of three containers showing a lid in phantom.

1 Claim, 4 Drawing Sheets

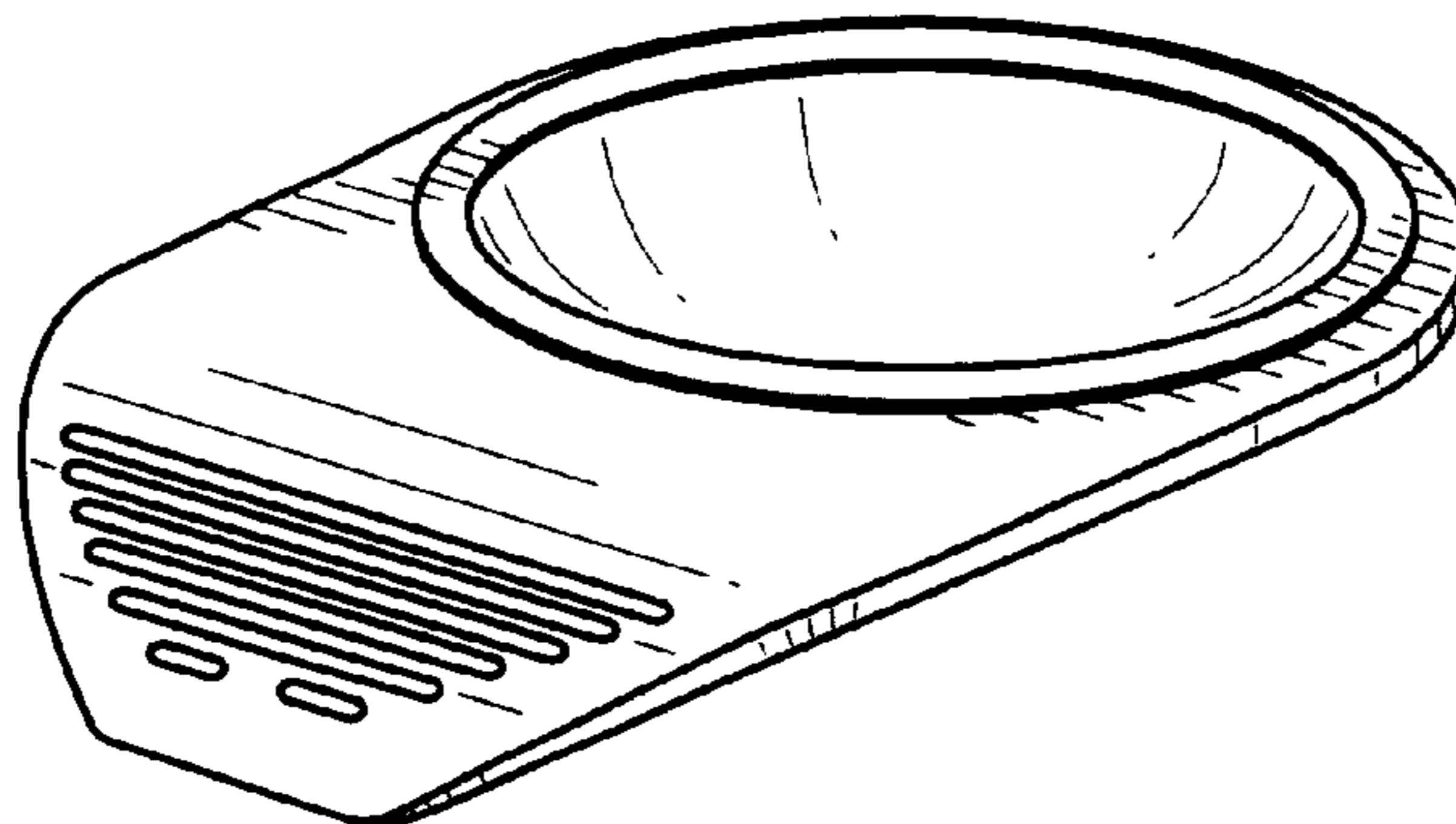


FIG. 1

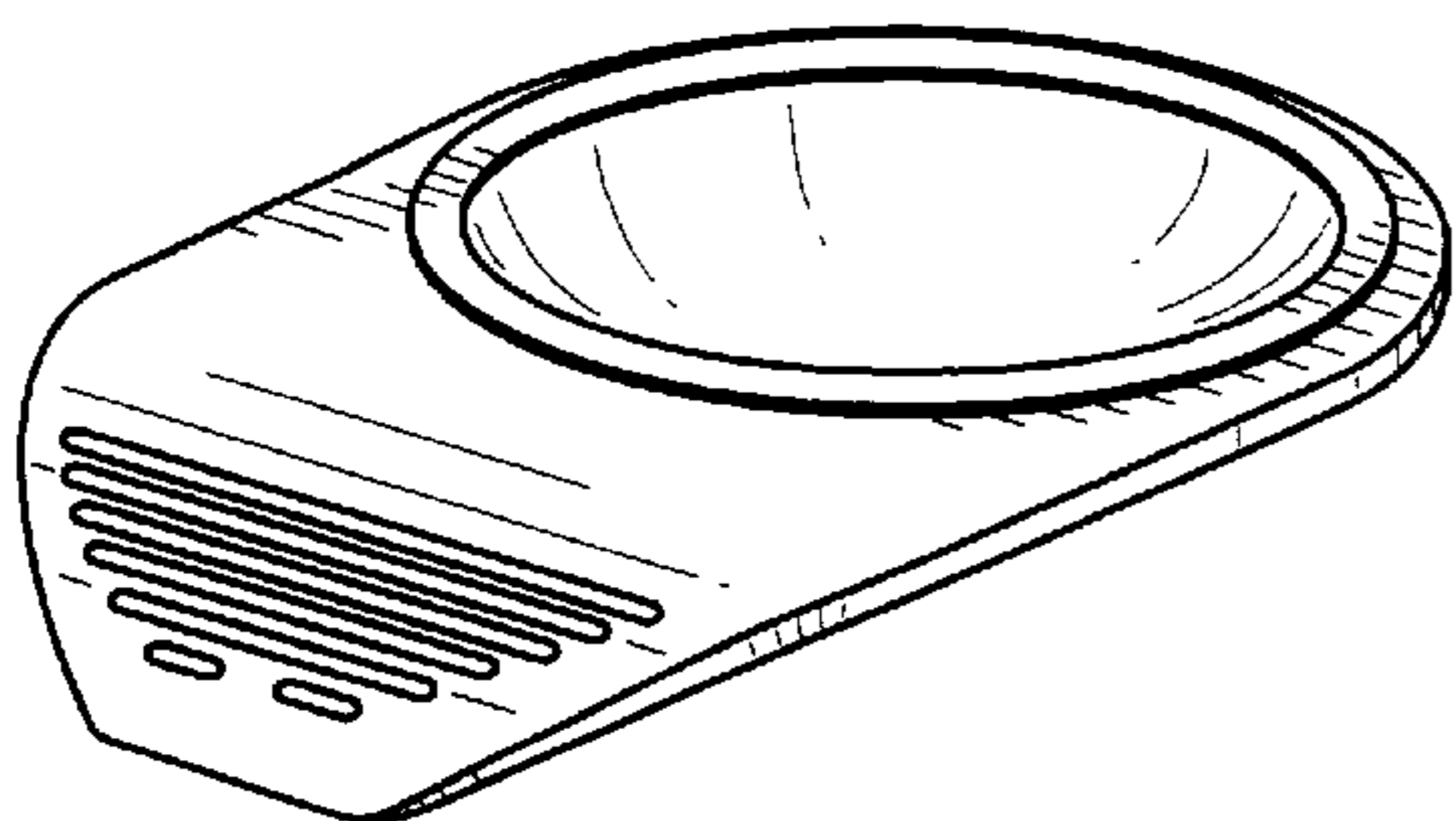


FIG. 2

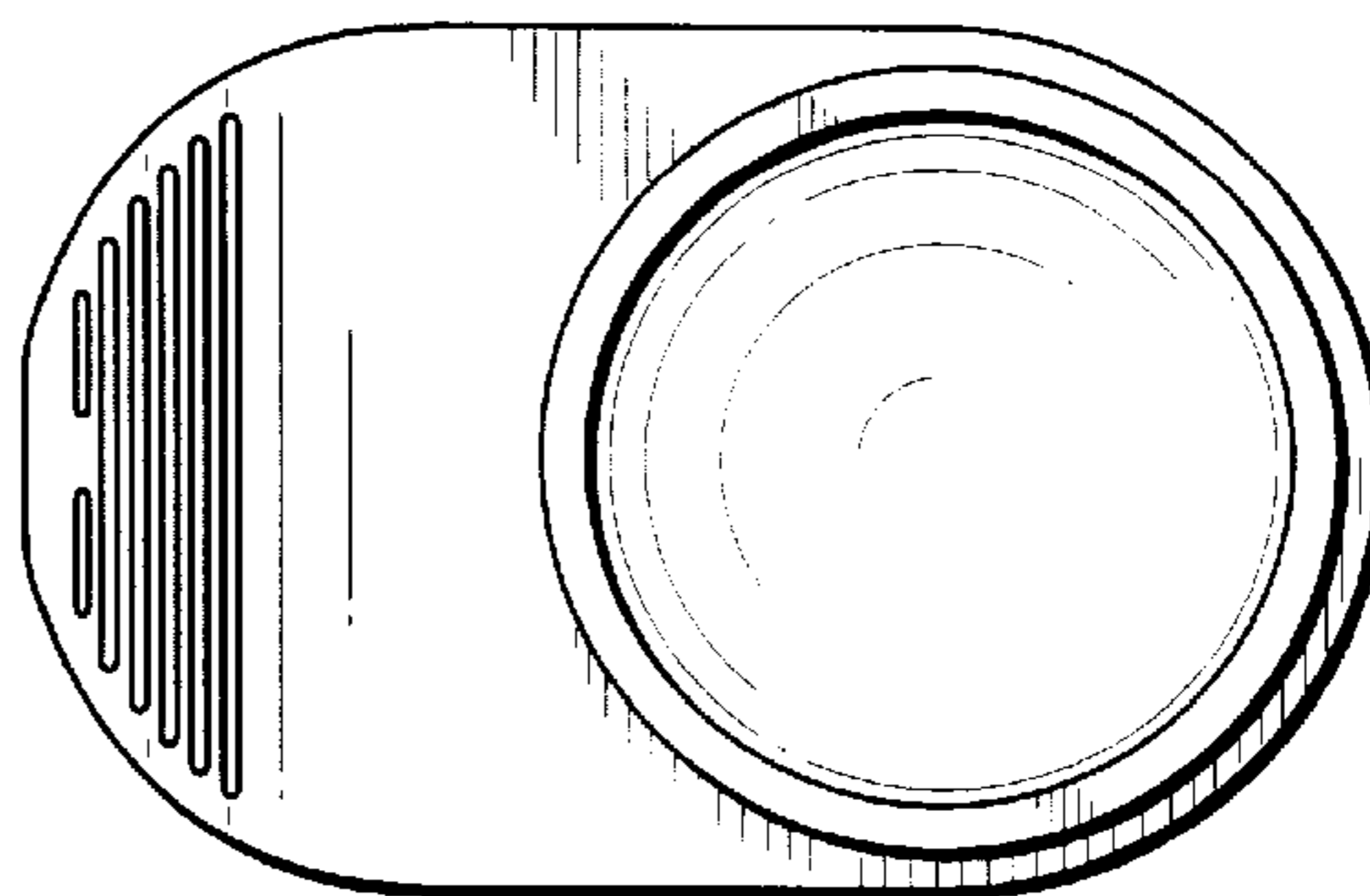


FIG. 5

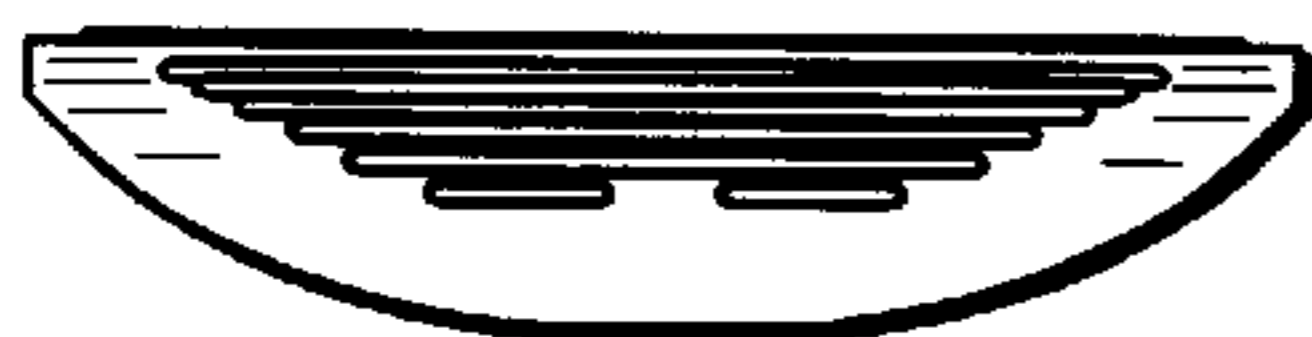


FIG. 3

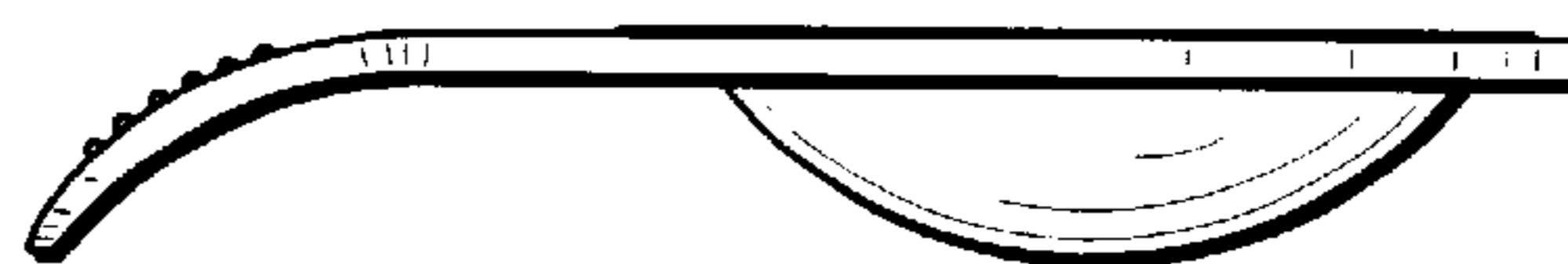


FIG. 6



FIG. 4

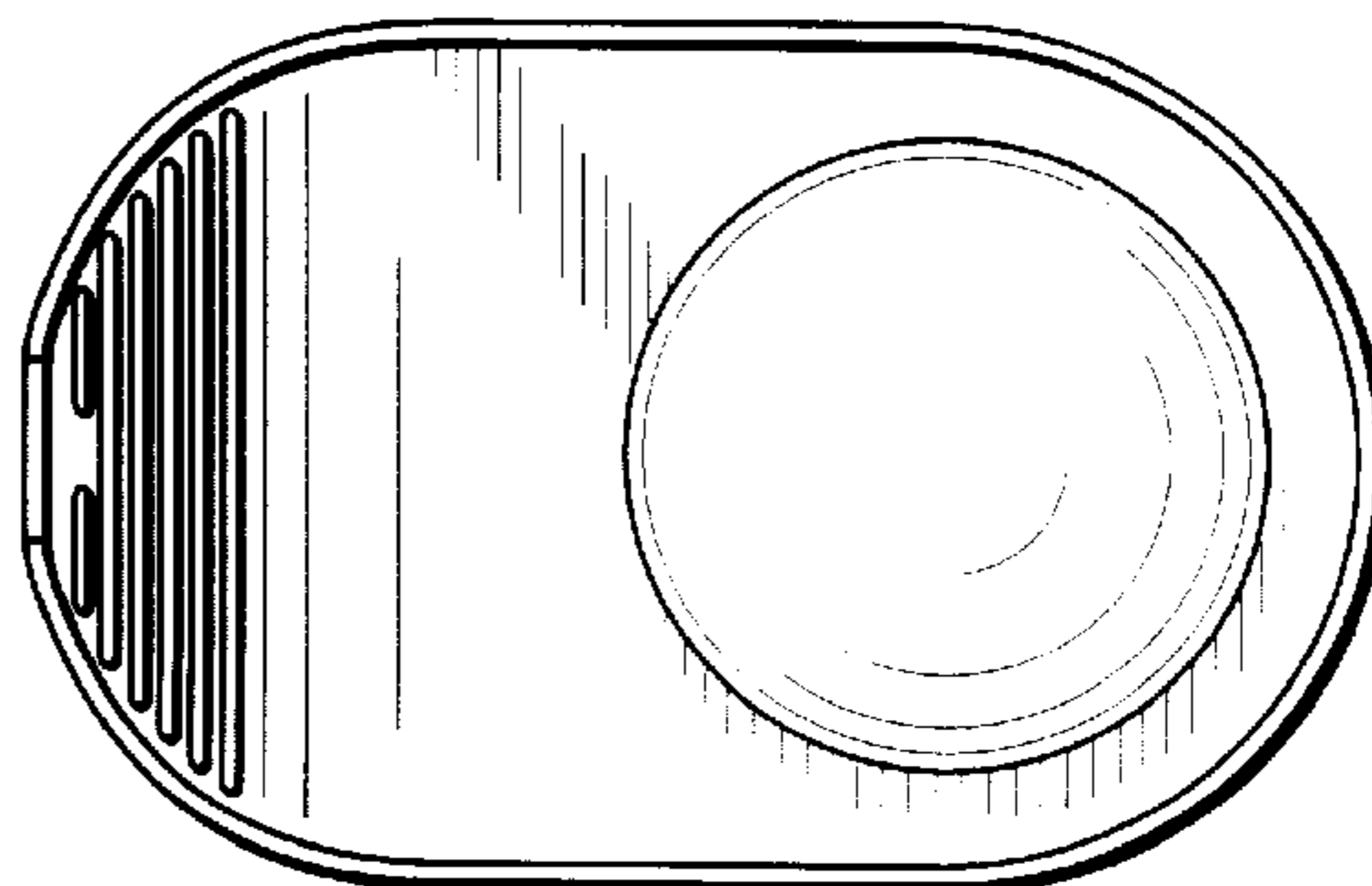


FIG. 7

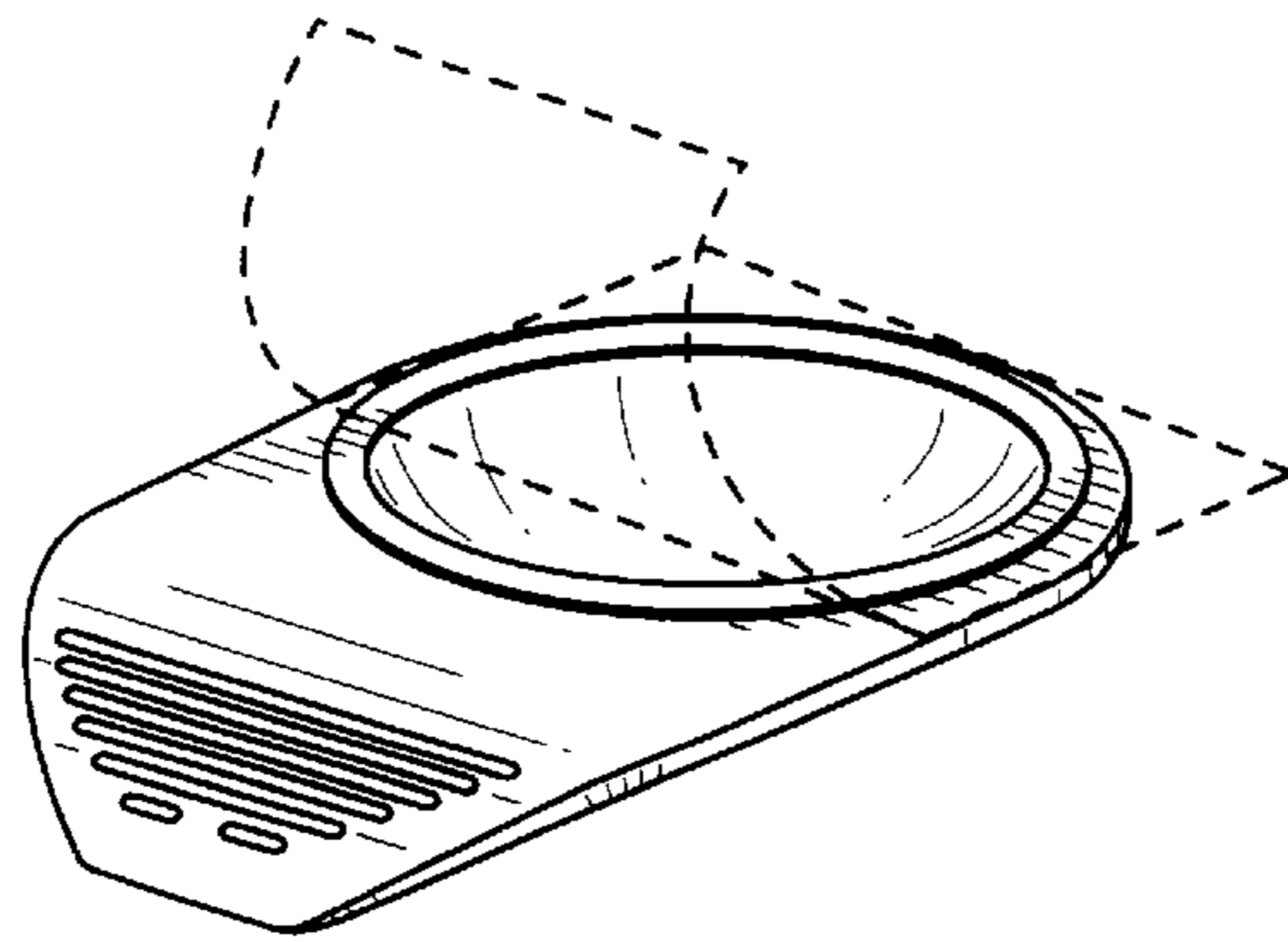


FIG. 8

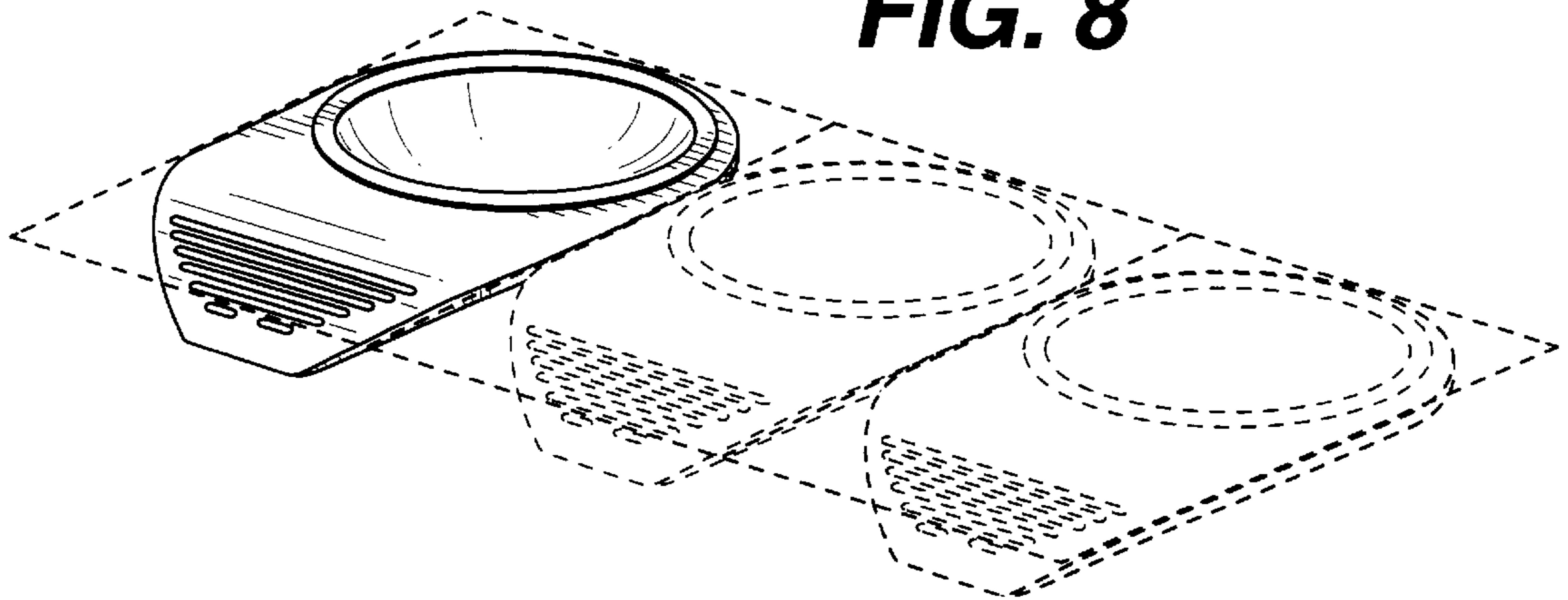


FIG. 9

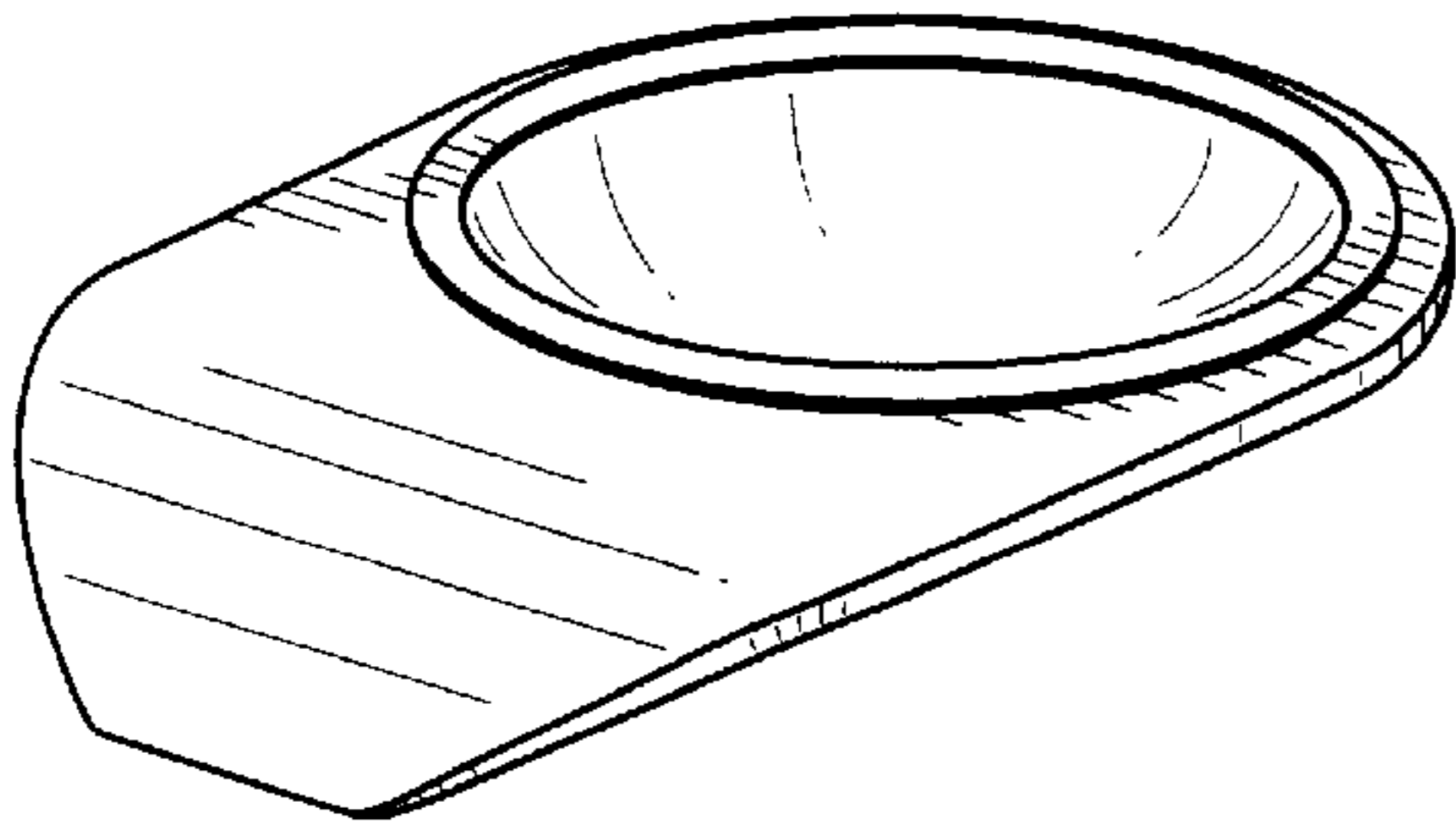


FIG. 10

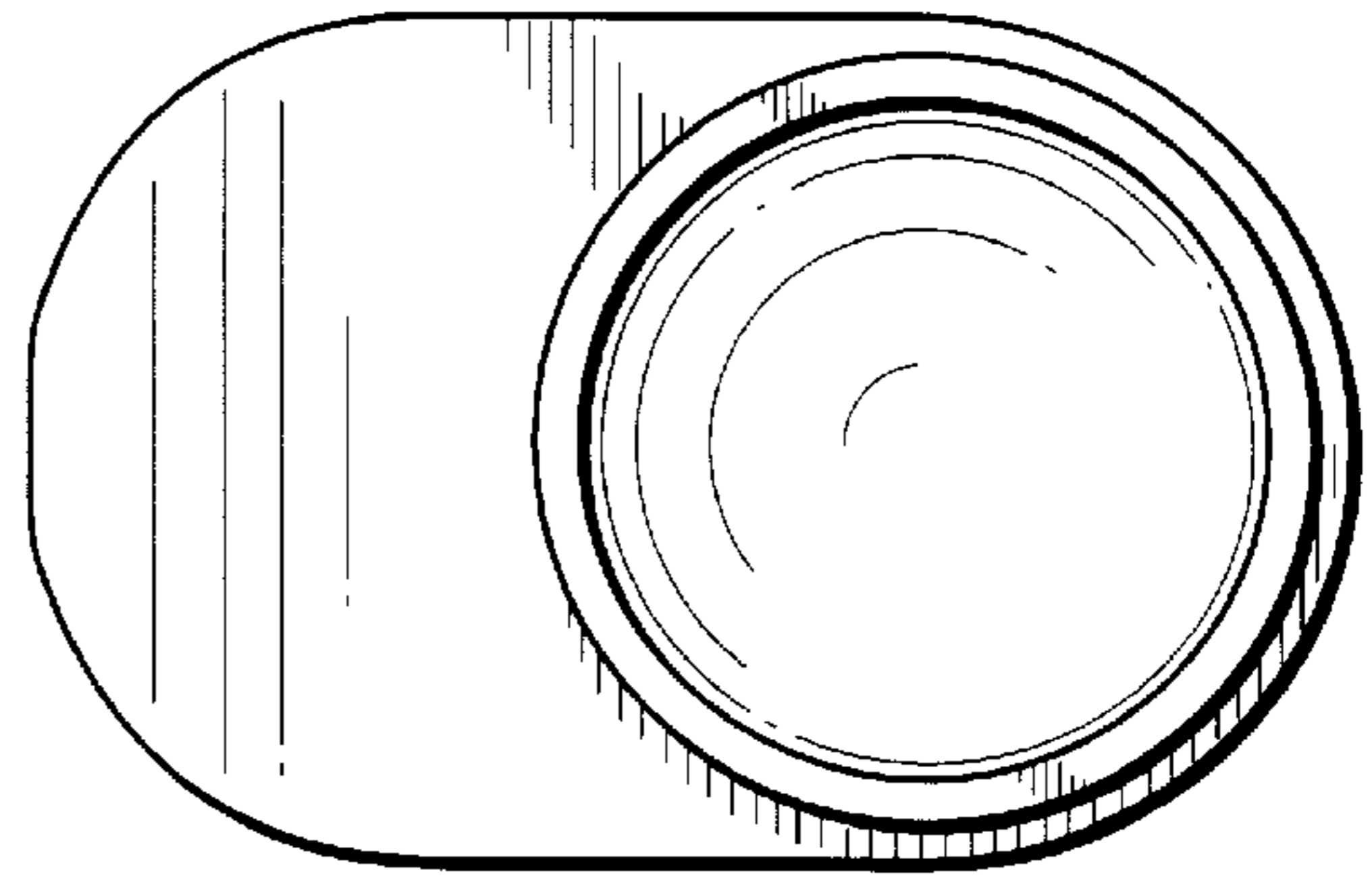


FIG. 13

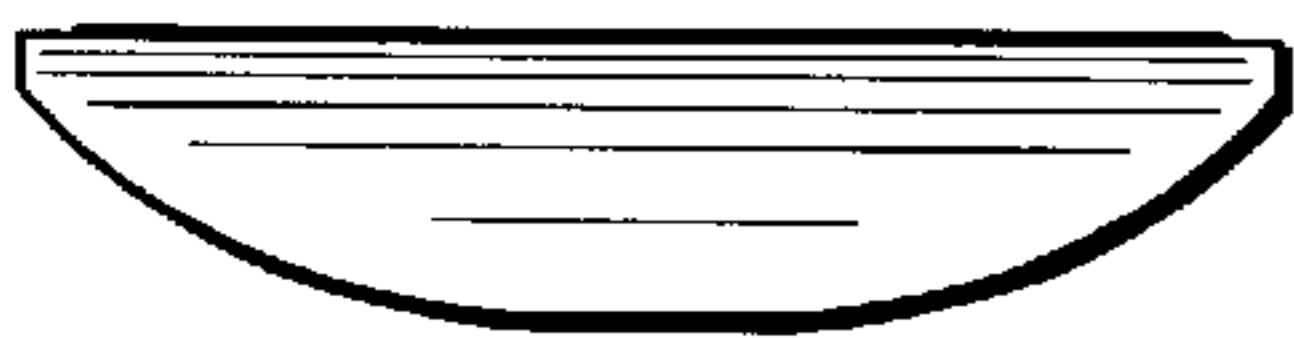


FIG. 11



FIG. 14



FIG. 12

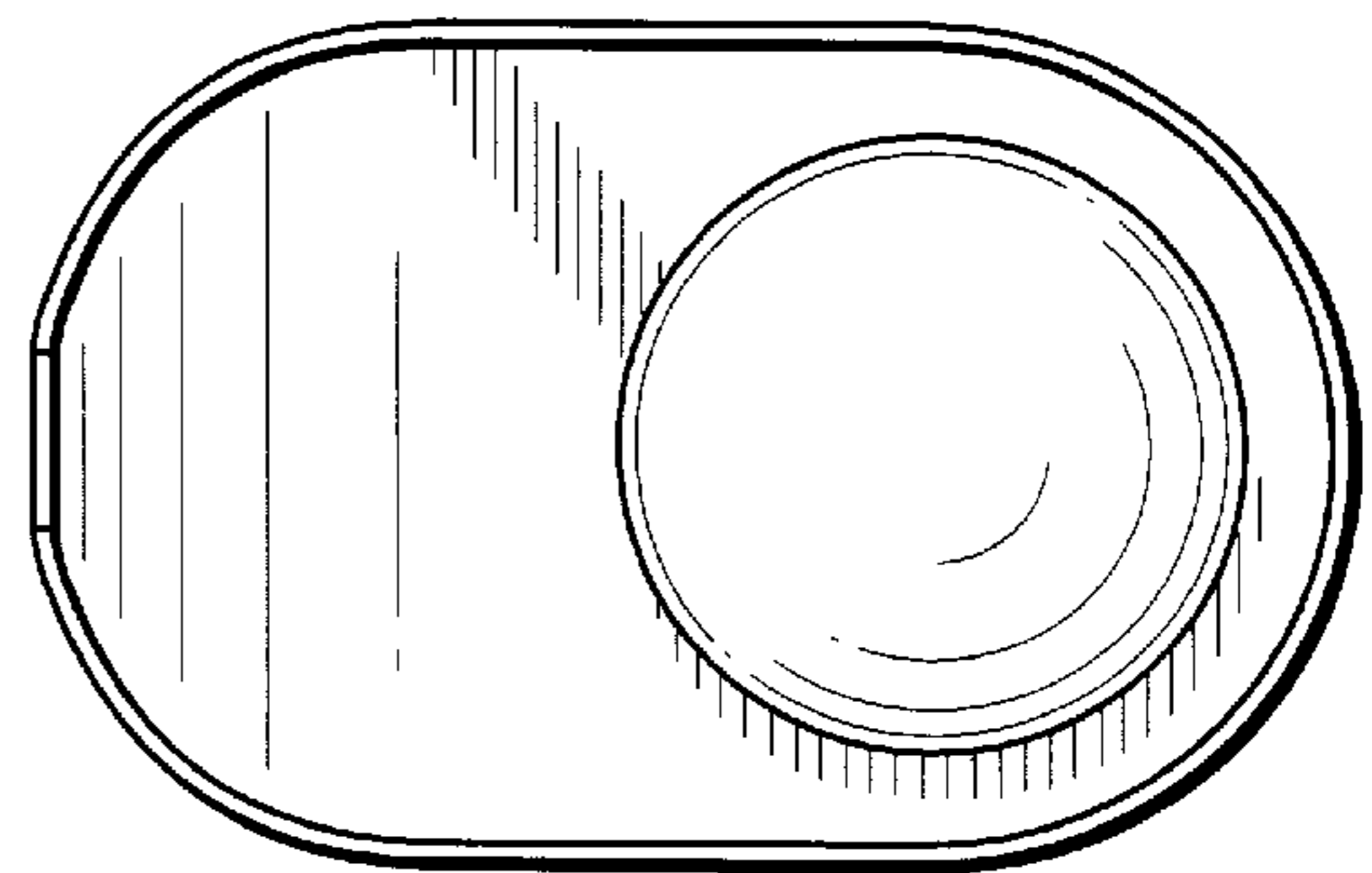


FIG. 15

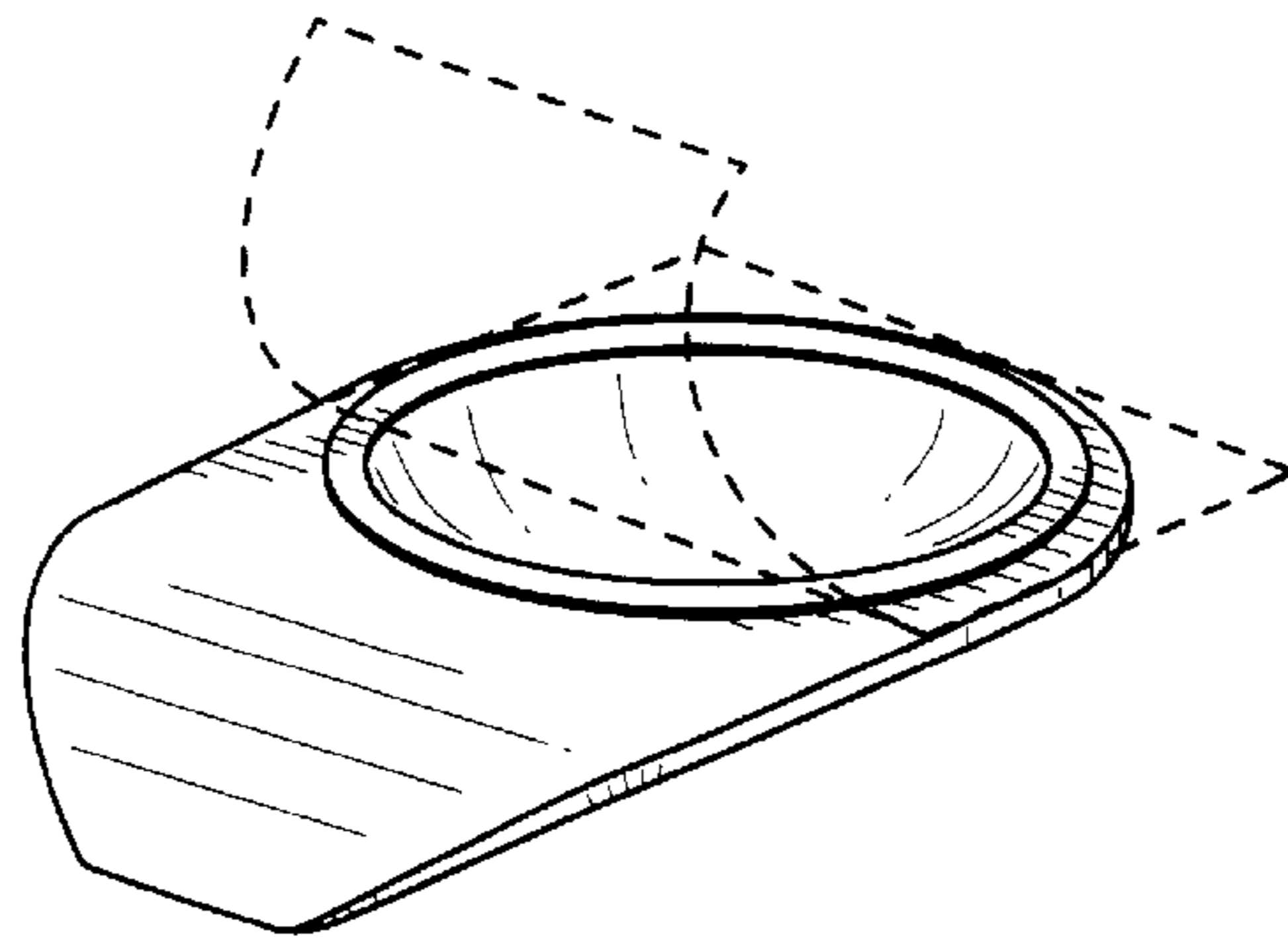


FIG. 16

