



US00D435958S

(12) **United States Design Patent**  
**White**

(10) **Patent No.:** **US D435,958 S**

(45) **Date of Patent:** **\*\* Jan. 9, 2001**

(54) **PORTION OF A FOOTWEAR SOLE**

(75) **Inventor:** **Ian White**, Leicester (GB)

(73) **Assignee:** **R. Griggs Group Limited** (GB)

(\*\*) **Term:** **14 Years**

(21) **Appl. No.:** **29/123,829**

(22) **Filed:** **May 25, 2000**

(30) **Foreign Application Priority Data**

Dec. 23, 1999 (GB) ..... 2089088

(51) **LOC (7) Cl.** ..... **02-04**

(52) **U.S. Cl.** ..... **D2/947; D2/946**

(58) **Field of Search** ..... D2/760, 902, 904,  
D2/908, 909, 911, 914, 916, 920, 946-948,  
951-962, 964, 972, 977; 36/22 R, 24.5,  
25 A, 25 R, 28, 29, 32 R, 43, 59 C, 59 R,  
102, 103, 129, 134, 149

(56) **References Cited**

**U.S. PATENT DOCUMENTS**

D. 125,433	*	2/1941	Starner	.....	D2/957
D. 266,287		9/1982	Blissett et al.	.	
D. 299,887		2/1989	Diaz	.	
D. 317,974	*	7/1991	Austin	.....	D2/957
D. 322,158	*	12/1991	Blissett	.....	D2/959
D. 332,004	*	12/1992	Blissett	.....	D2/957
D. 343,272		1/1994	James	.	
D. 363,815		11/1995	Lucarelli	.	
D. 369,234	*	4/1996	Fabio	.....	D2/952
D. 378,241		3/1997	Featherston	.	
D. 382,692		8/1997	Carlson	.	
D. 389,994	*	2/1998	Sessa	.....	D2/953

D. 390,348		2/1998	Meyer et al.	.	
D. 394,142	*	5/1998	Merceron	.....	D2/960
D. 399,645	*	10/1998	Percuoco	.....	D2/956
D. 406,446		3/1999	Yun	.	
D. 409,362		5/1999	Turner et al.	.	
D. 412,612	*	8/1999	Boyer	.....	D2/902
D. 413,712	*	9/1999	Doxey	.....	D2/947
D. 421,832	*	3/2000	Loveder	.....	D2/957
D. 424,286	*	5/2000	Berend	.....	D2/953
D. 428,238	*	7/2000	Price	.....	D2/903
D. 428,242	*	7/2000	Truelsen	.....	D2/960
1,653,059		12/1927	Nelson	.	
4,245,406	*	1/1981	Landay et al.	.....	36/14
5,216,824	*	6/1993	Blissett et al.	.....	36/28
5,713,140	*	2/1998	Baggenstoss	.....	36/28

\* cited by examiner

*Primary Examiner*—Celia Murphy

(74) *Attorney, Agent, or Firm*—Saidman DesignLaw Group

(57) **CLAIM**

The ornamental design for a portion of a footwear sole, as shown and described.

**DESCRIPTION**

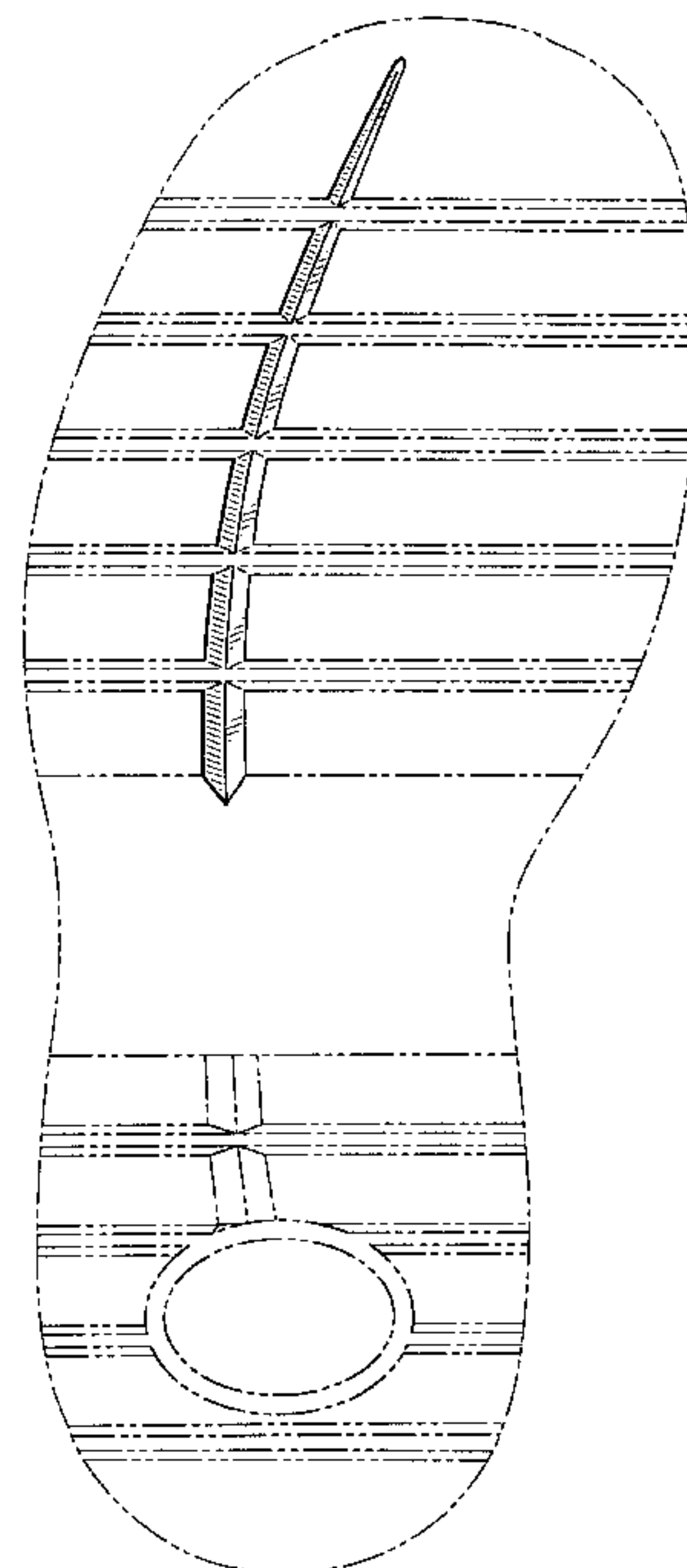
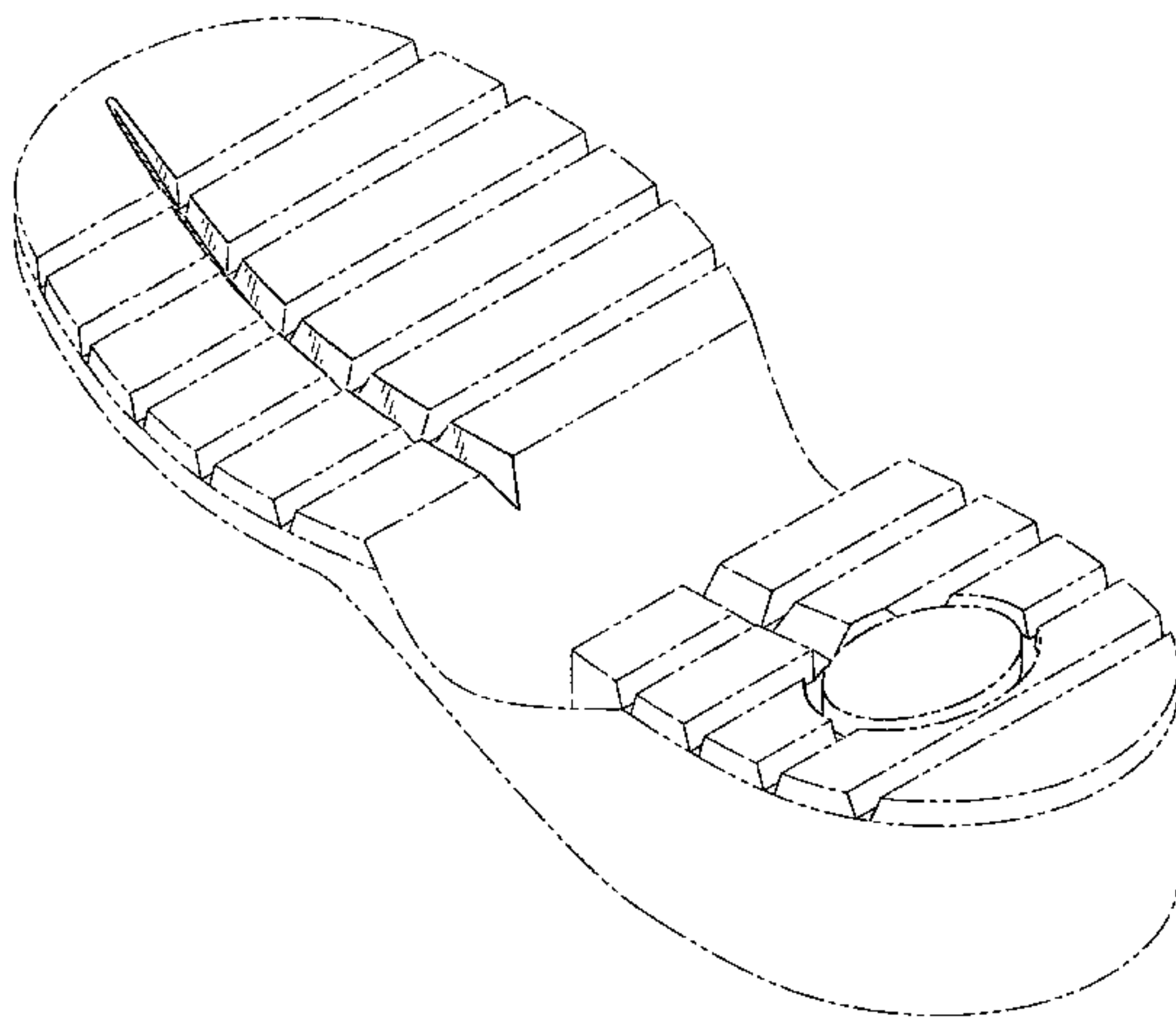
FIG. 1 is a perspective view of a portion of a footwear sole showing my new design; and,

FIG. 2 is a bottom plan view thereof.

The broken lines in FIGS. 1-2 are for disclosure purposes only and do not form part of the claimed design. The top, left side, right side, front and rear views do not form part of the claimed design.

The broken lines shown at the intersections of the broken and solid lines in the figures are understood to represent the boundaries of the claimed invention.

**1 Claim, 2 Drawing Sheets**



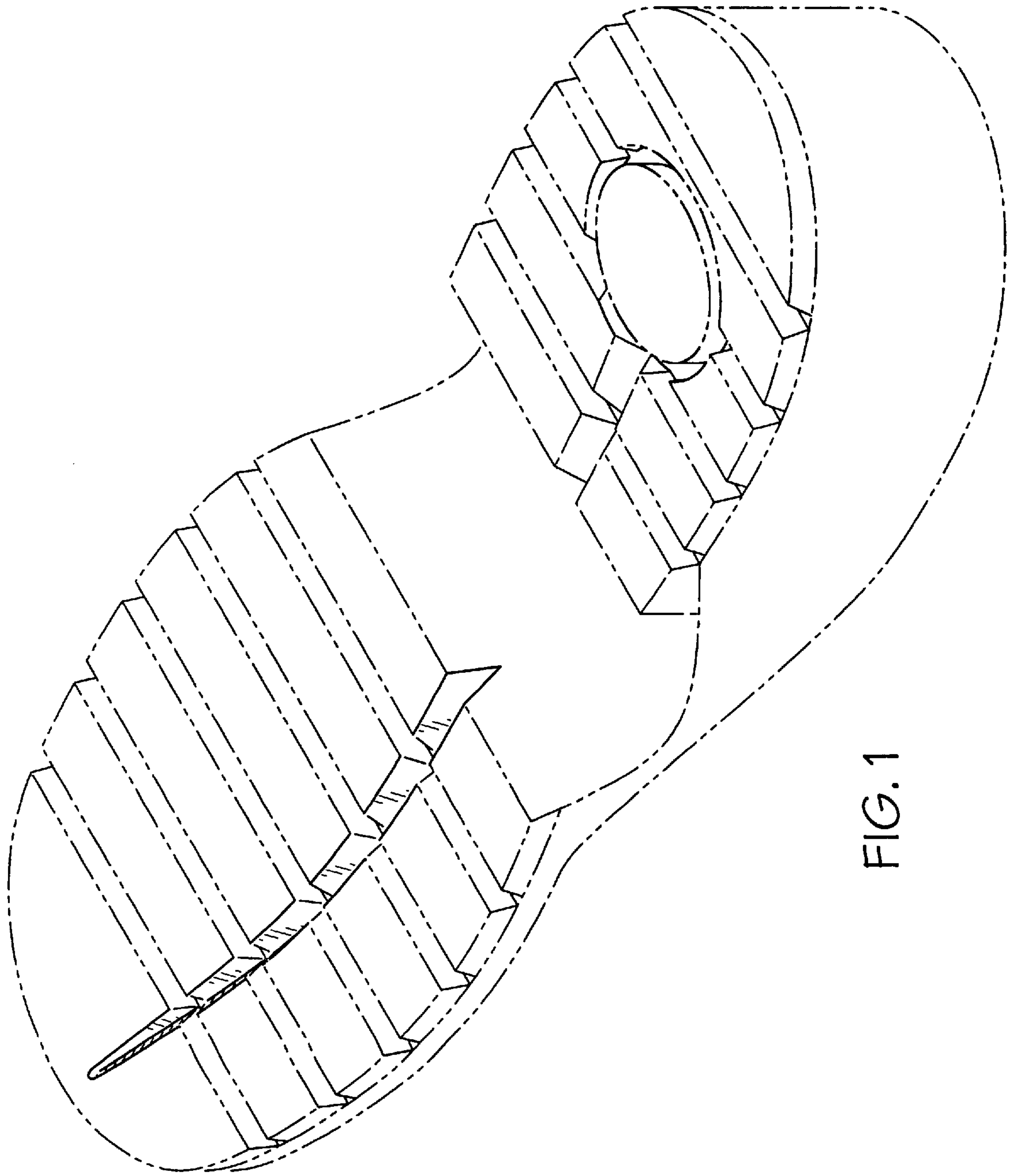


FIG. 1

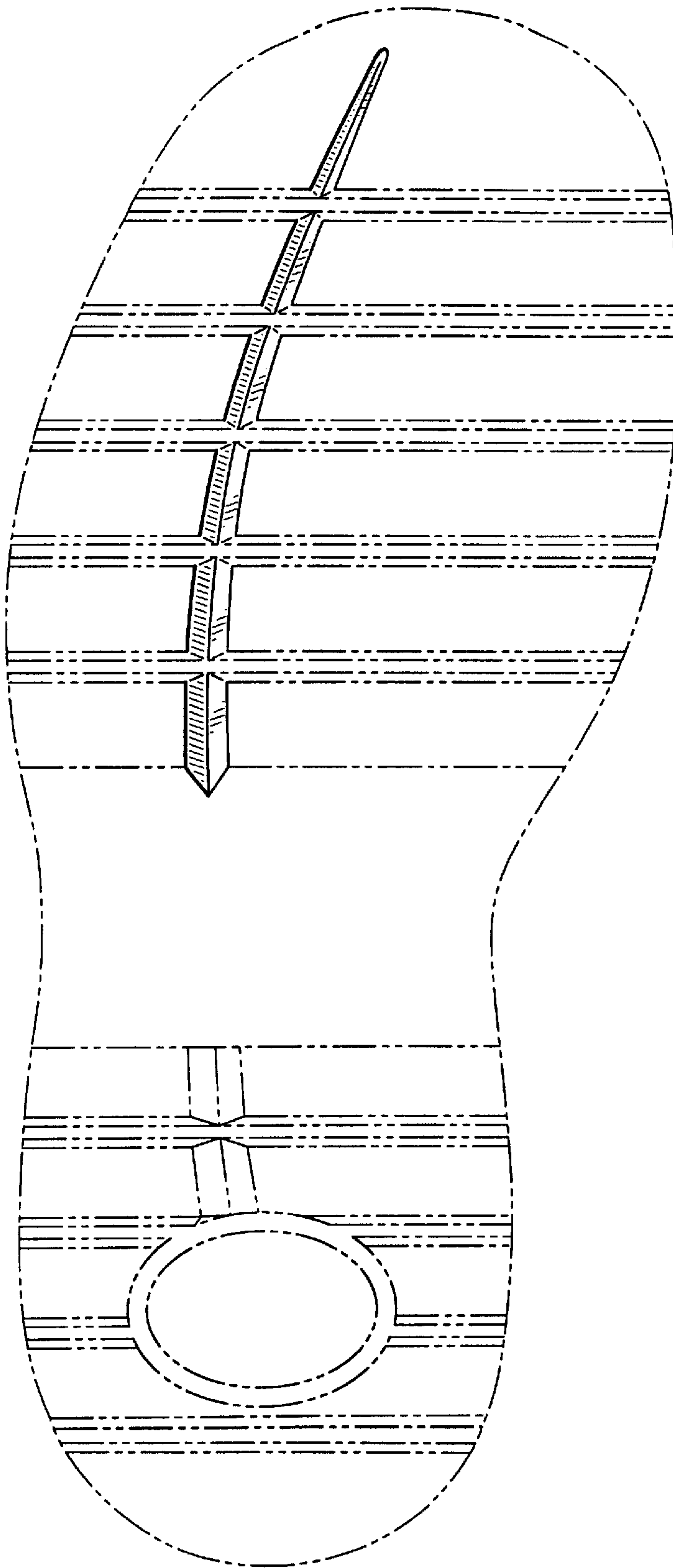


FIG. 2