



US00D435955S

(12) **United States Design Patent**
Speck

(10) **Patent No.:** **US D435,955 S**

(45) **Date of Patent:** **** Jan. 9, 2001**

(54) **HAM BONE SHAPED DOG TREAT**

(76) Inventor: **Donald Roland Speck, 570**
Meyerwood Rd., Festus, MO (US)
63028

(**) Term: **14 Years**

(21) Appl. No.: **29/113,251**

(22) Filed: **Nov. 2, 1999**

(51) **LOC (7) Cl.** **01-01**

(52) **U.S. Cl.** **D1/106**

(58) **Field of Search** D1/100, 106-110;
426/104, 105, 272, 282, 574, 414, 641,
513, 802, 805; D30/160

(56) **References Cited**

U.S. PATENT DOCUMENTS

D. 254,337	3/1980	Miller et al. .	
D. 254,338 *	3/1980	Miller et al.	D1/199
D. 254,339	3/1980	Miller et al. .	
D. 305,950 *	2/1990	Spiel et al.	D1/106
1,533,648 *	4/1925	Hawkinson	426/315
2,553,113 *	5/1951	Rogers	426/282
4,544,560 *	10/1985	O'Connell	426/104
5,344,660 *	9/1994	Stevison et al.	426/104

OTHER PUBLICATIONS

General Electric Co., The Microwave Guide & Cookbook, Baked Ham Slice on p. 120 and Ham Roasts on p. 124, 1979.*

Burger's Smokehouse catalog #12, ham shown on pp. 4, 9, 14, and 21, 1981.*

* cited by examiner

Primary Examiner—Alan P. Douglas

Assistant Examiner—Linda Brooks

(74) *Attorney, Agent, or Firm*—Armstrong Teasdale LLP

(57) **CLAIM**

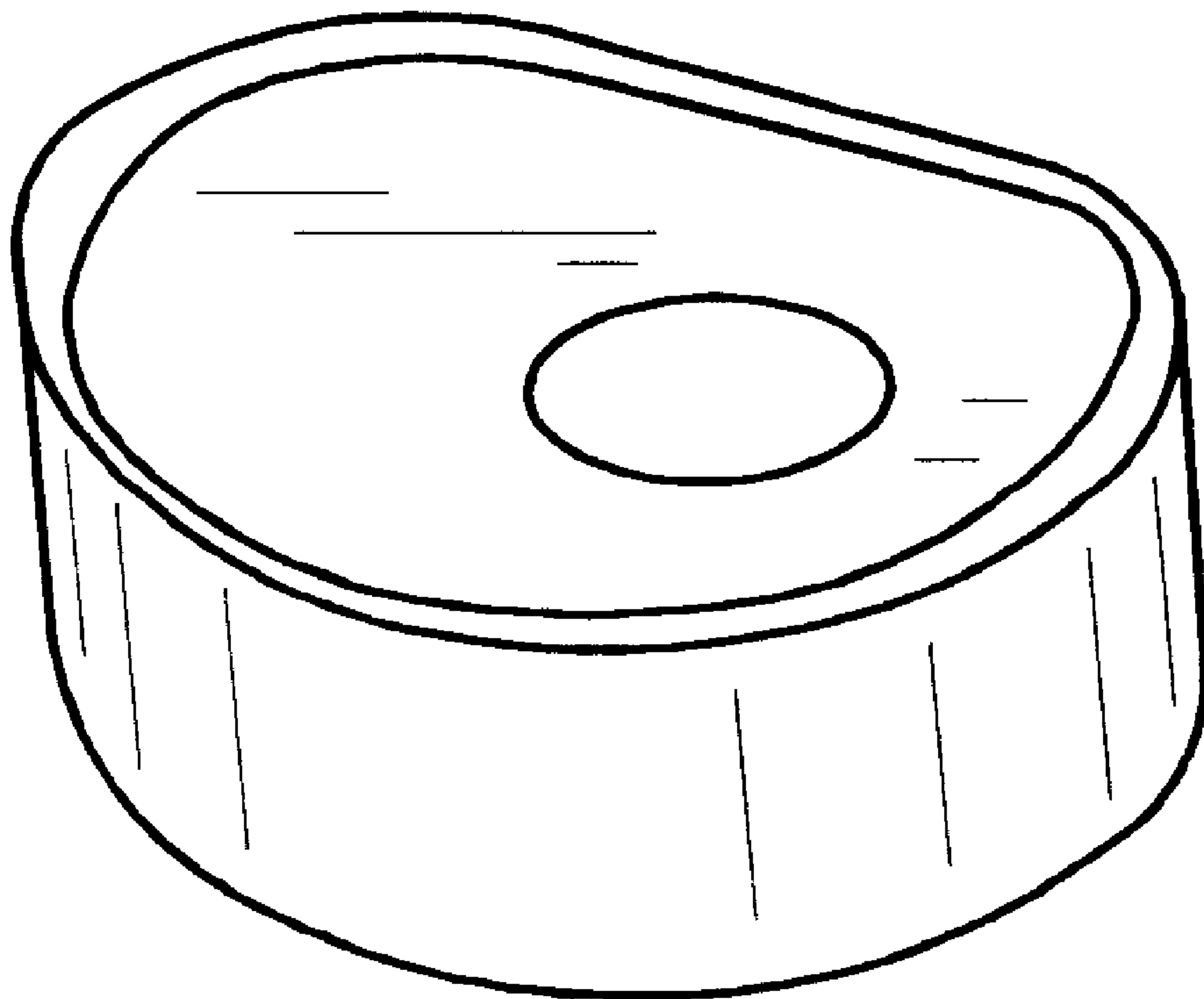
The ornamental design for a ham bone shaped dog treat, as shown and described.

DESCRIPTION

FIG. 1 is a top plan view of a ham bone shaped dog treat showing my new design, the bottom plan view being a mirror image; and,

FIG. 2 is a side perspective view of FIG. 1, the opposite side being substantially the same, the only differences being the dimensions and contours of the simulated meat and fat, which follow the dimensions and contours thereof shown in FIG. 1.

1 Claim, 1 Drawing Sheet



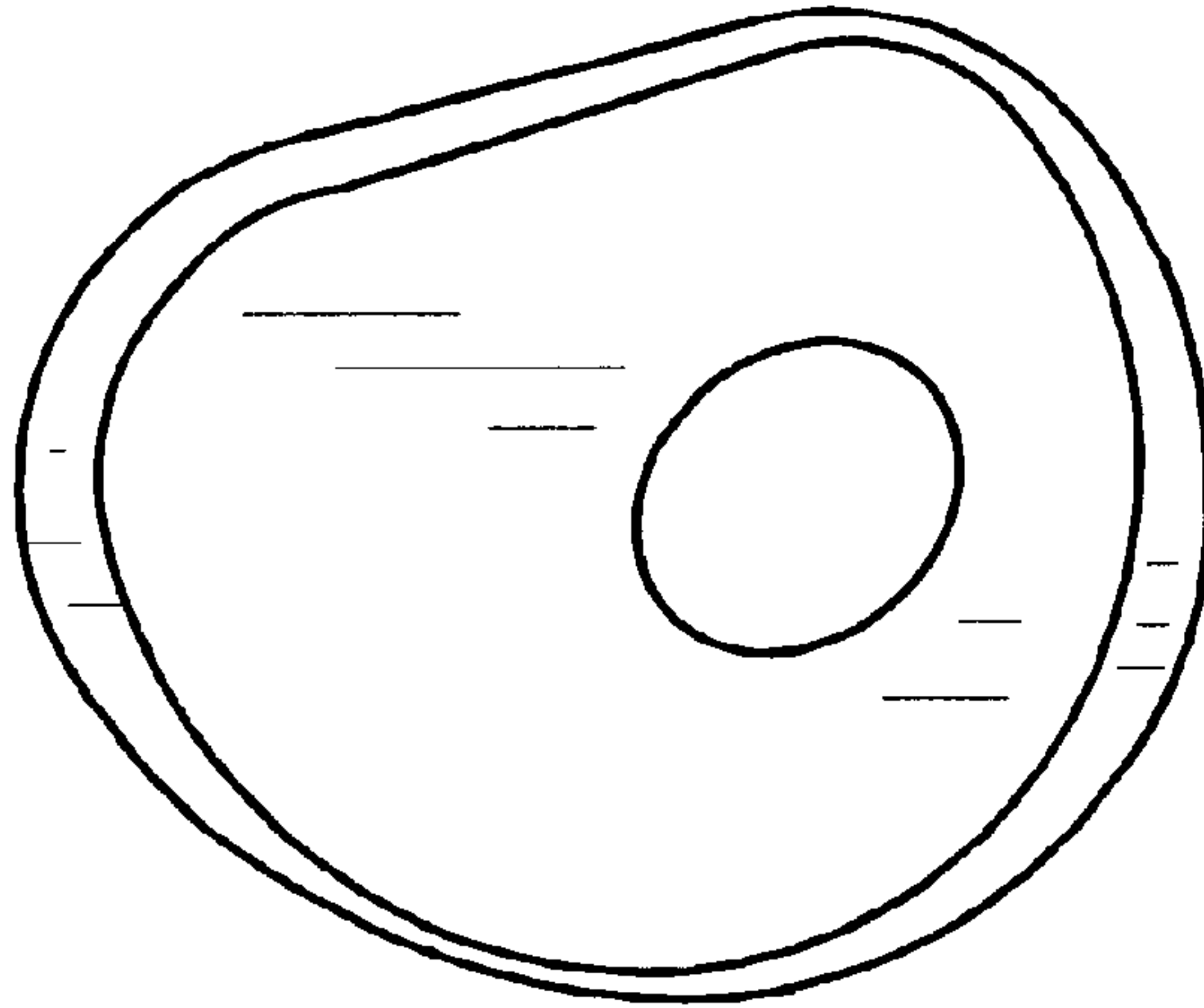


FIG. 1

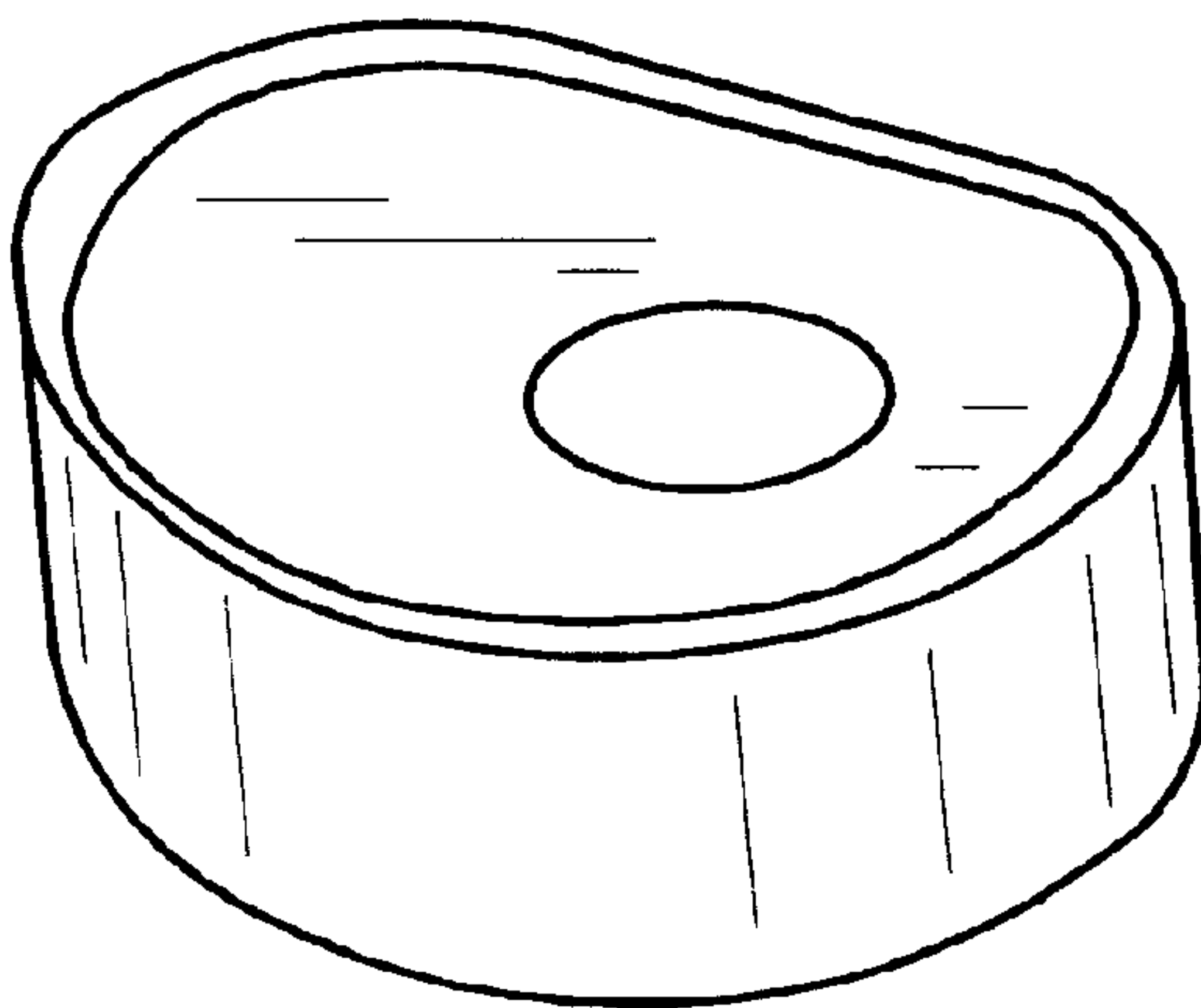


FIG. 2