



US00D435946S

(12) **United States Design Patent**
Buenik

(10) **Patent No.:** **US D435,946 S**

(45) **Date of Patent:** **** Jan. 2, 2001**

(54) **WASHING MACHINE LINT CATCHER**

(76) **Inventor:** **Roberta Buenik**, 3444 W. 115th Pl.,
Chicago, IL (US) 60655

(**) **Term:** **14 Years**

(21) **Appl. No.:** **29/119,760**

(22) **Filed:** **Mar. 7, 2000**

(51) **LOC (7) Cl.** **15-05**

(52) **U.S. Cl.** **D32/25**

(58) **Field of Search** D32/25, 30; 34/82,
34/55, 133; 55/482, 490, 493, 294, 284

(56) **References Cited**

U.S. PATENT DOCUMENTS

D. 407,870	*	4/1999	Pappas	D32/25
3,378,934	*	4/1968	Erickson	34/82
5,215,562	*	6/1993	Kaiser	55/294
5,651,188	*	7/1997	Swanson et al.	34/82

* cited by examiner

Primary Examiner—Mitchell Siegel

(74) *Attorney, Agent, or Firm*—Goldstein & Canino

(57) **CLAIM**

The ornamental design for a washing machine lint catcher,
as shown and described.

DESCRIPTION

FIG. 1 is a perspective view of a washing machine lint catcher.

FIG. 2 is a front elevational view thereof.

FIG. 3 is a rear elevational view thereof.

FIG. 4 is a top plan view thereof.

FIG. 5 is a bottom plan view thereof; and,

FIG. 6 is a left side elevational view of the washing machine lint catcher, the right side elevational view being a mirror image of the left side view.

1 Claim, 3 Drawing Sheets

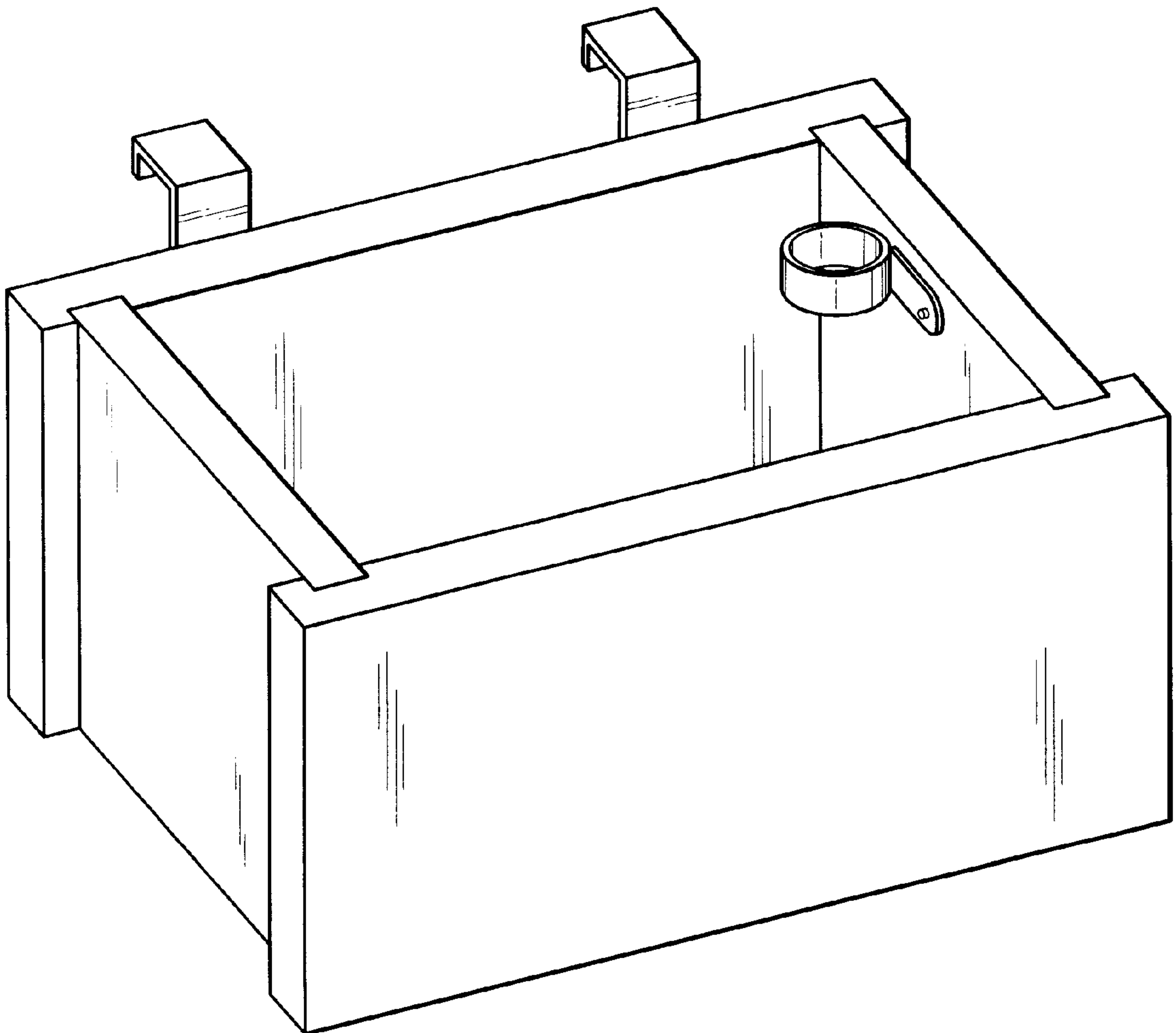


FIG. 1

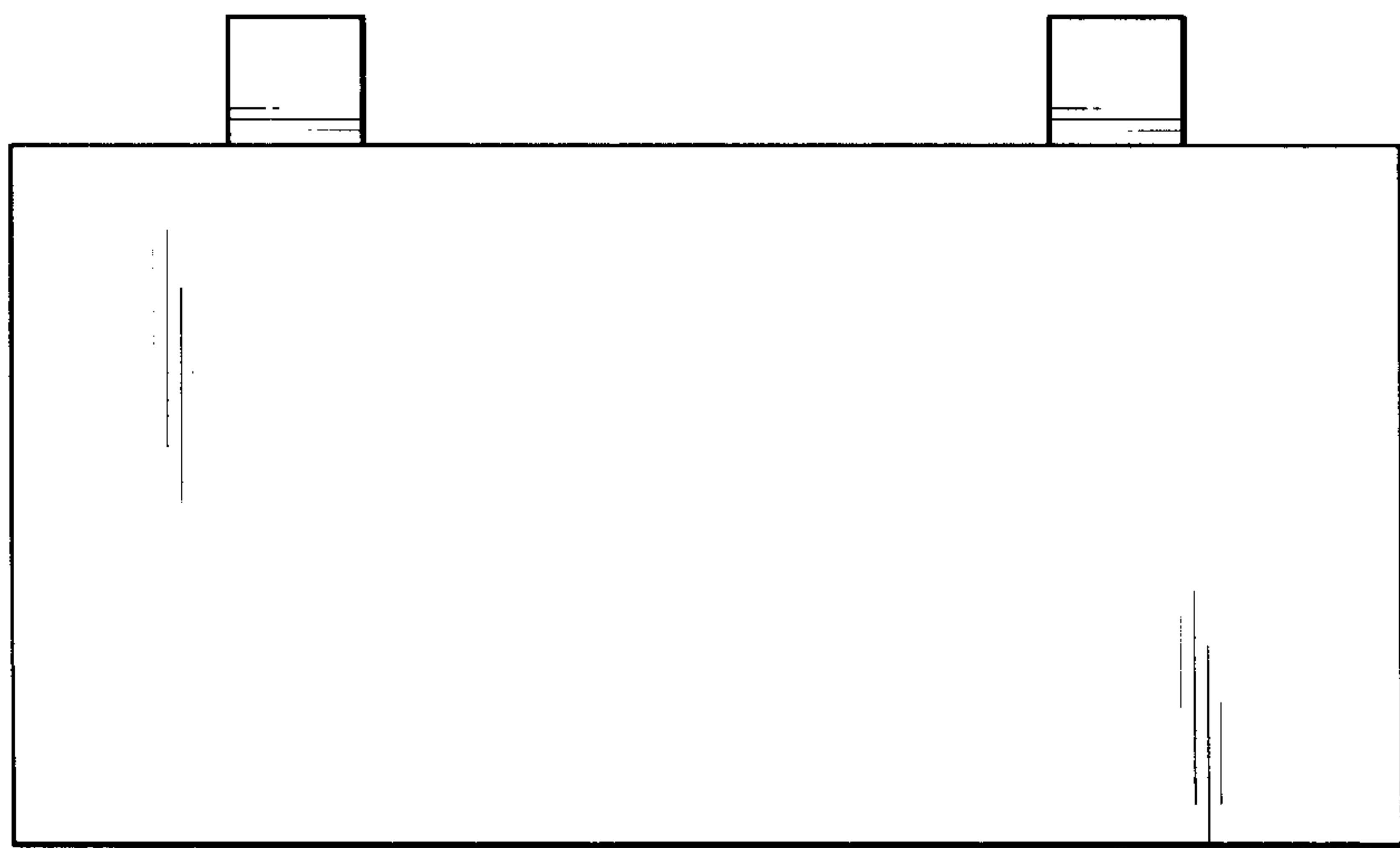
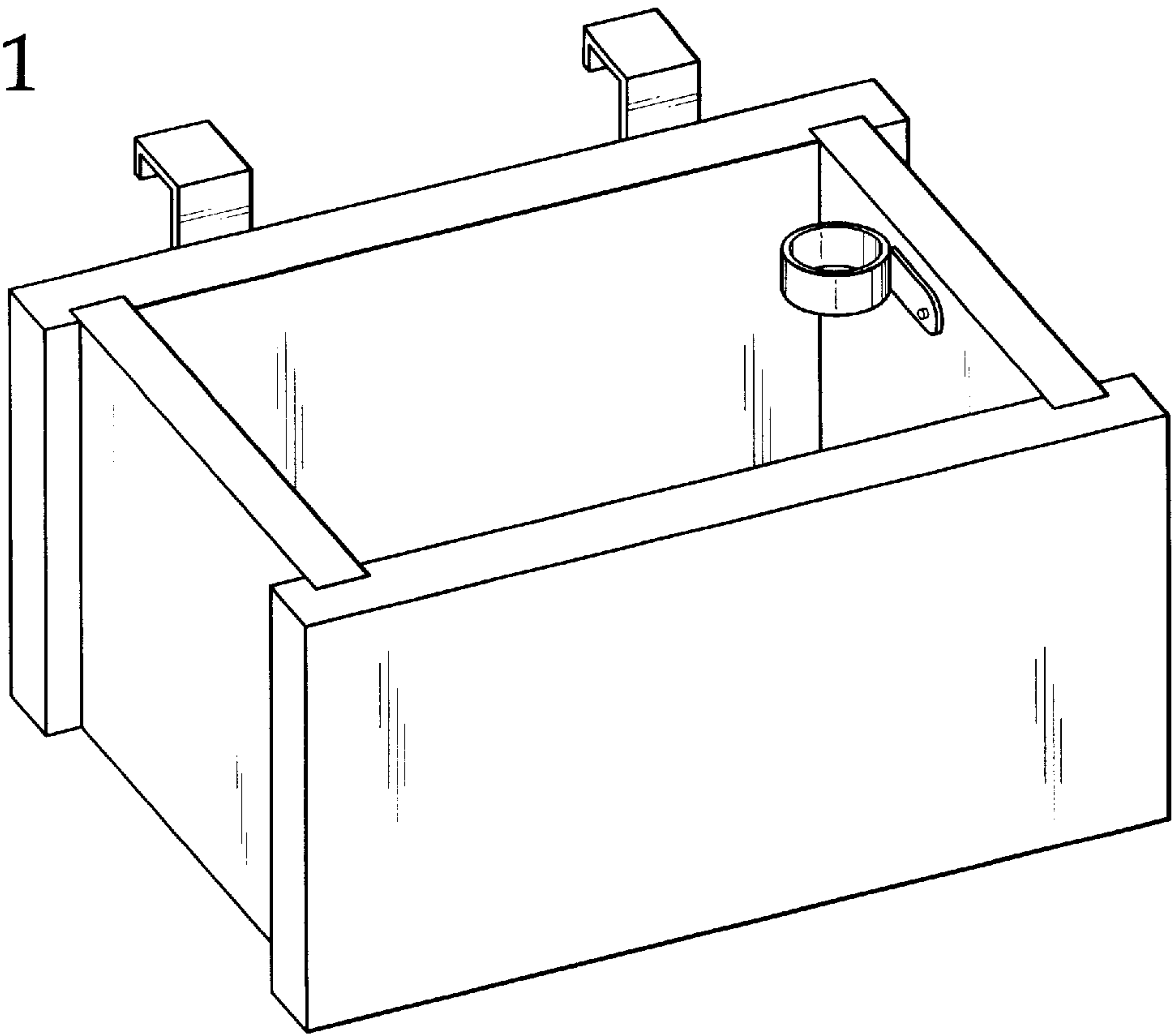


FIG. 2

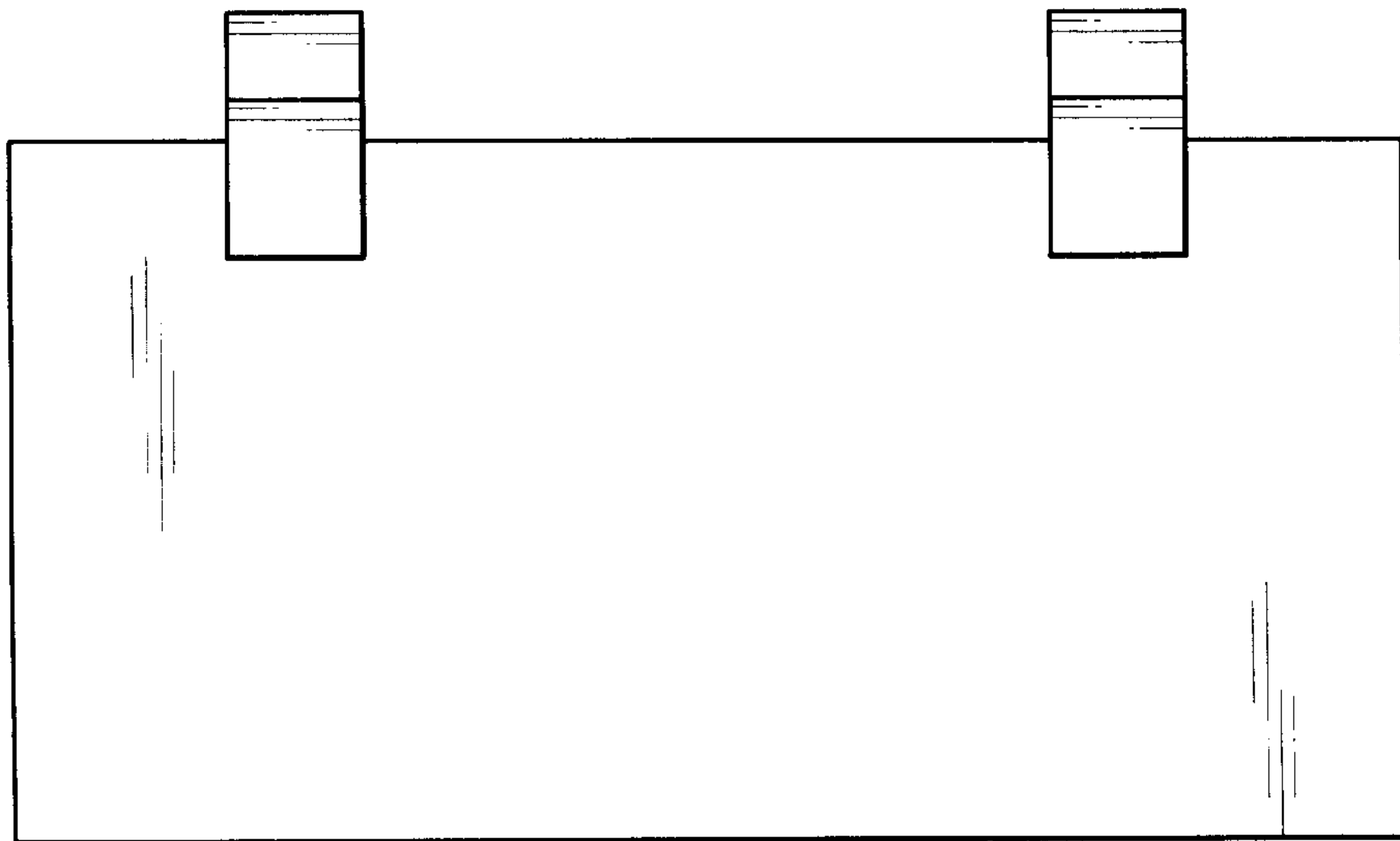


FIG. 3

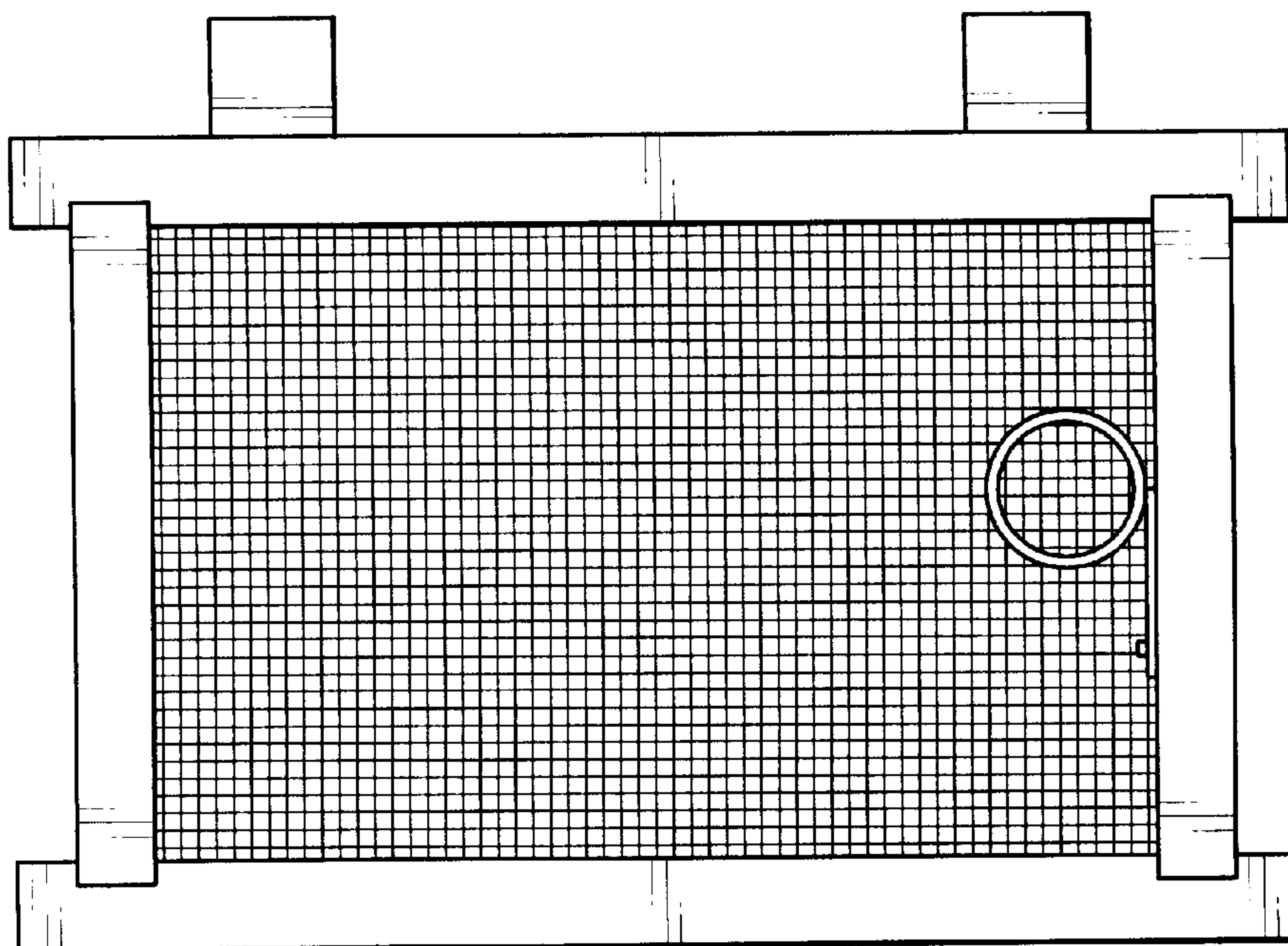


FIG. 4

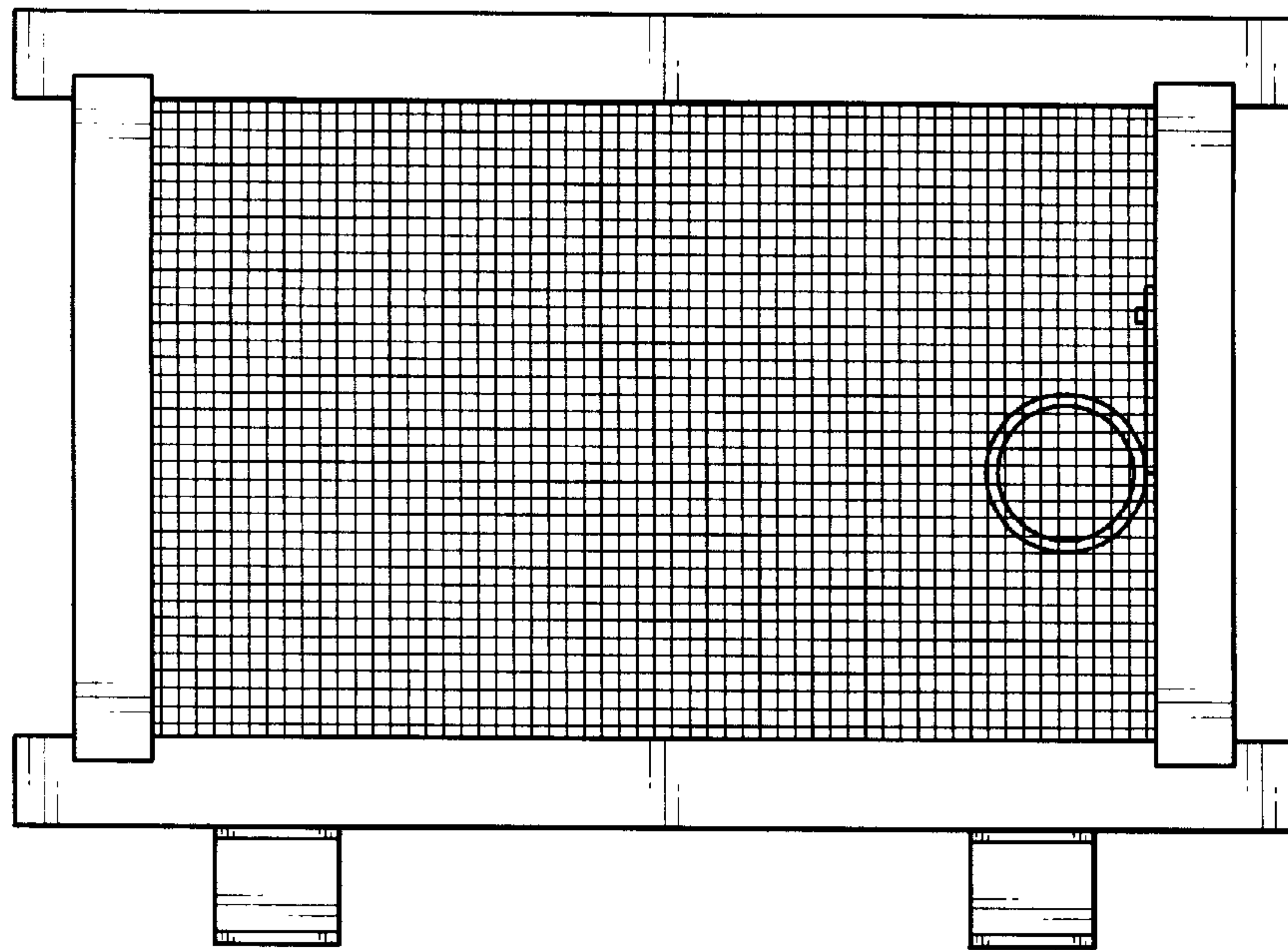


FIG. 5

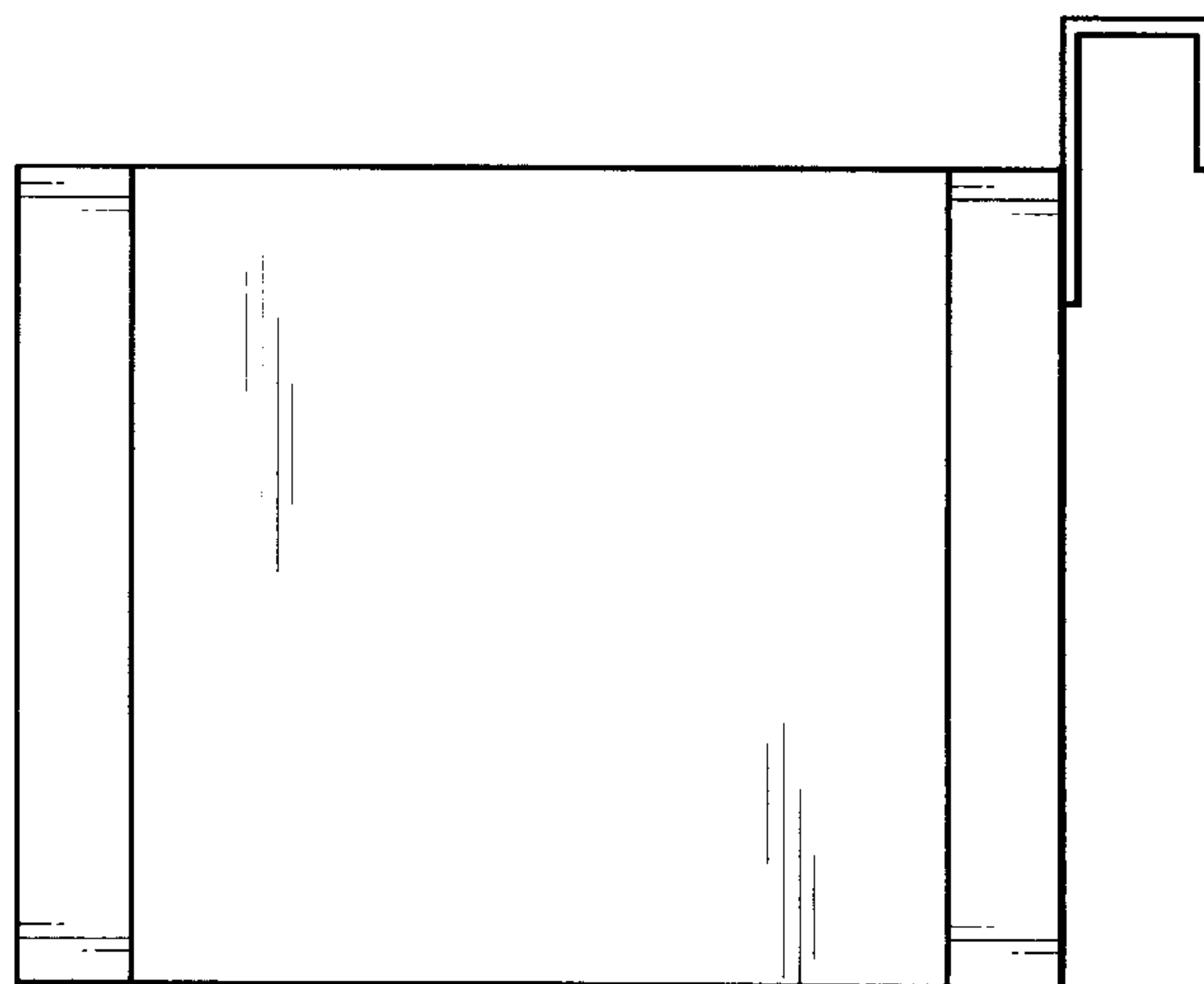


FIG. 6