



US00D435945S

(12) **United States Design Patent**  
**Ikeno et al.**

(10) **Patent No.:** **US D435,945 S**

(45) **Date of Patent:** **\*\* Jan. 2, 2001**

(54) **VACUUM CLEANER**

(75) **Inventors:** **Kenji Ikeno, Ono; Kazuhiko Nakano, Kasai; Tetsuro Wada; Masaharu Katayama**, both of Kakogawa, all of (JP)

(73) **Assignee:** **Sanyo Electric Co., Ltd.**, Osaka-pref (JP)

(\*\*) **Term:** **14 Years**

(21) **Appl. No.:** **29/108,794**

(22) **Filed:** **Aug. 3, 1999**

(30) **Foreign Application Priority Data**

Feb. 8, 1999 (JP) ..... 11-2873

(51) **LOC (7) Cl.** ..... **15-05**

(52) **U.S. Cl.** ..... **D32/22**

(58) **Field of Search** ..... D32/21-24, 25, D32/31; 15/320-321, 353, 327.1, 327.2, 327.3, 327.4, 327.6, 327.7, 350-352

(56) **References Cited**

**U.S. PATENT DOCUMENTS**

D. 305,269 \* 12/1989 Dyson ..... D32/22

D. 309,203 \* 7/1990 Goodrich ..... D32/22

D. 343,707 \* 1/1994 Dyson ..... D32/22

D. 365,669 \* 12/1995 Piccaluga et al. .... D32/22

D. 403,477 \* 12/1998 Tsujimoto et al. .... D32/22

D. 417,533 \* 12/1999 Burchard et al. .... D32/22

\* cited by examiner

*Primary Examiner*—Ruth McInroy

(74) *Attorney, Agent, or Firm*—Cohen, Pontani, Lieberman & Pavane

(57) **CLAIM**

The ornamental design for a vacuum cleaner, as shown and described.

**DESCRIPTION**

FIG. 1 is a front elevational view of a vacuum cleaner showing our new design;

FIG. 2 is a top plan view thereof;

FIG. 3 is a rear elevational view thereof;

FIG. 4 is a bottom plan view thereof;

FIG. 5 is a left side elevational view thereof;

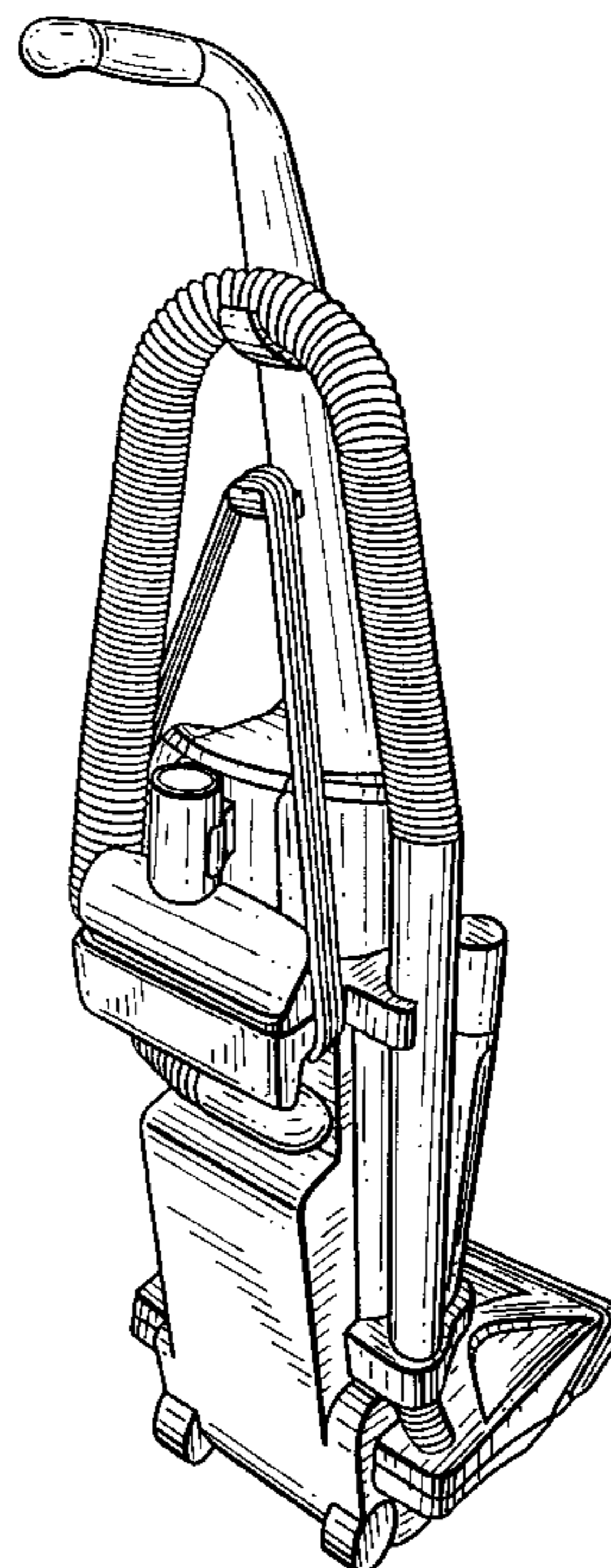
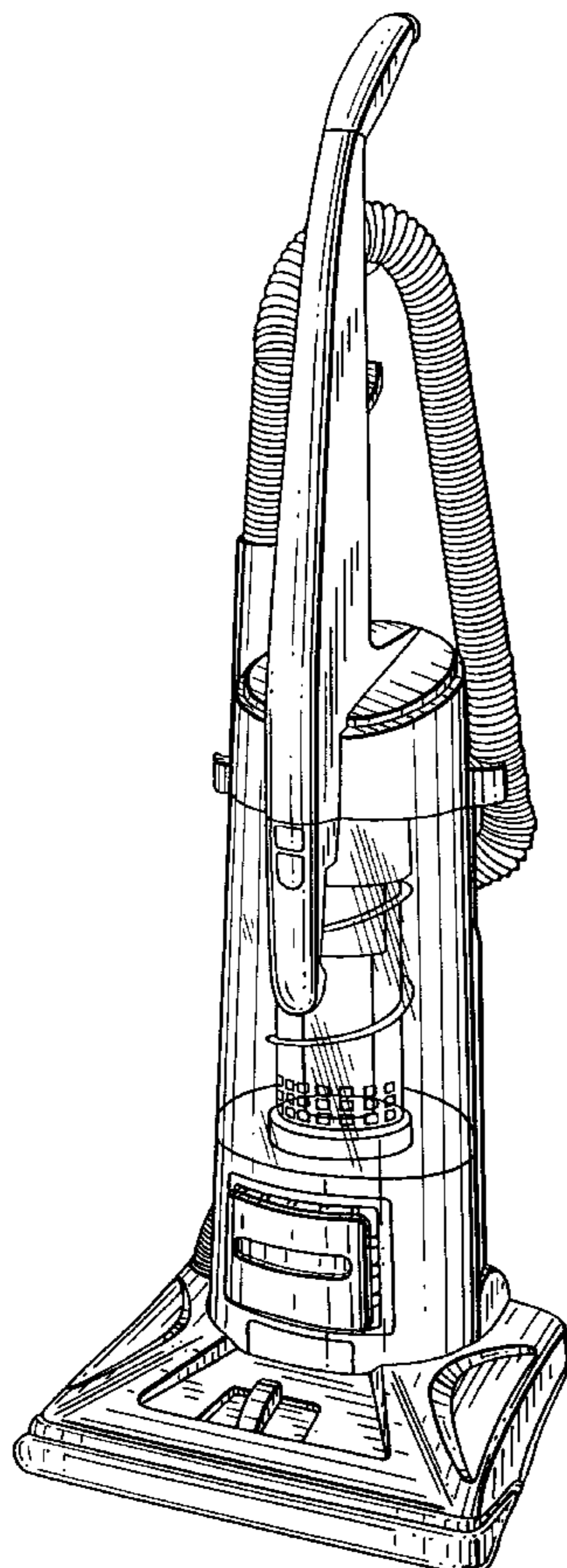
FIG. 6 is a right side elevational view thereof;

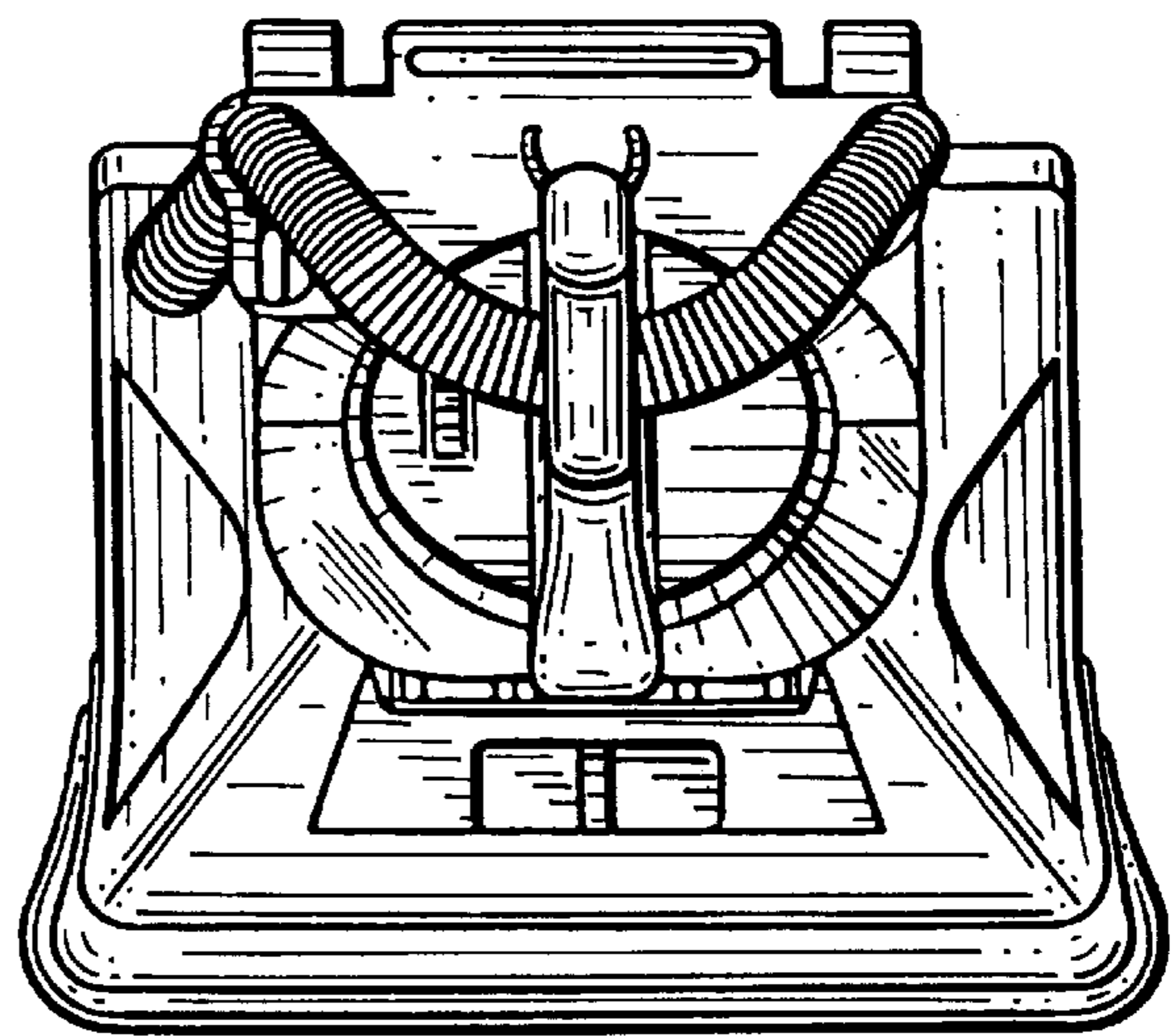
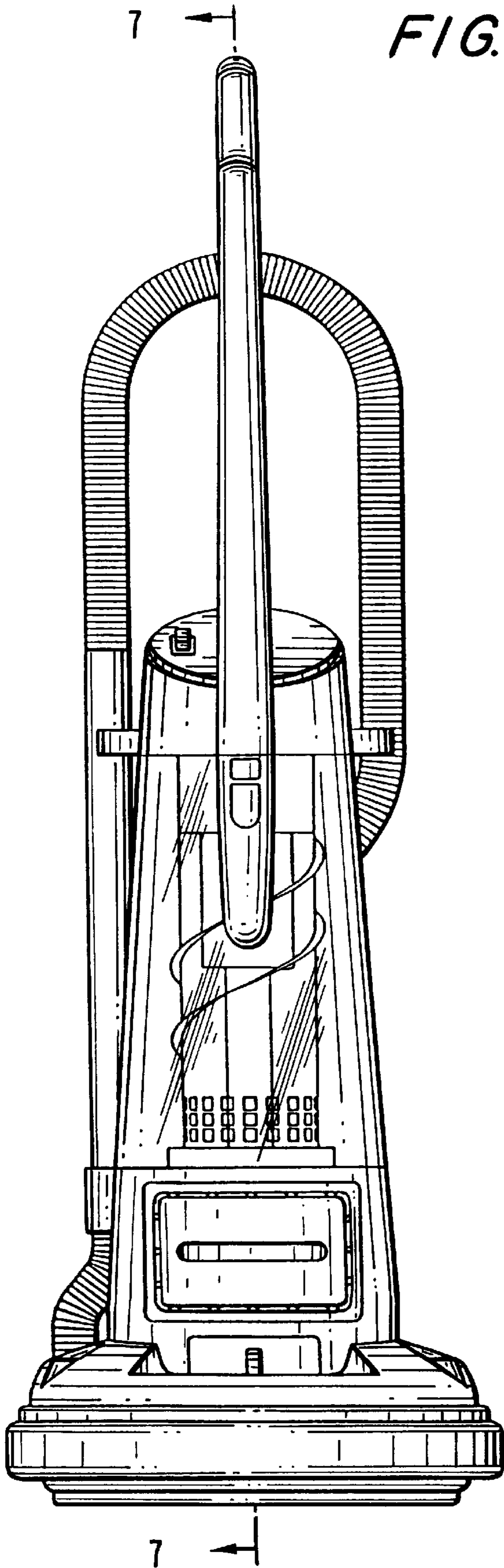
FIG. 7 is a cross-sectional view thereof, taken along line 7—7 in FIG. 1;

FIG. 8 is a front perspective view thereof; and,

FIG. 9 is a rear perspective view thereof.

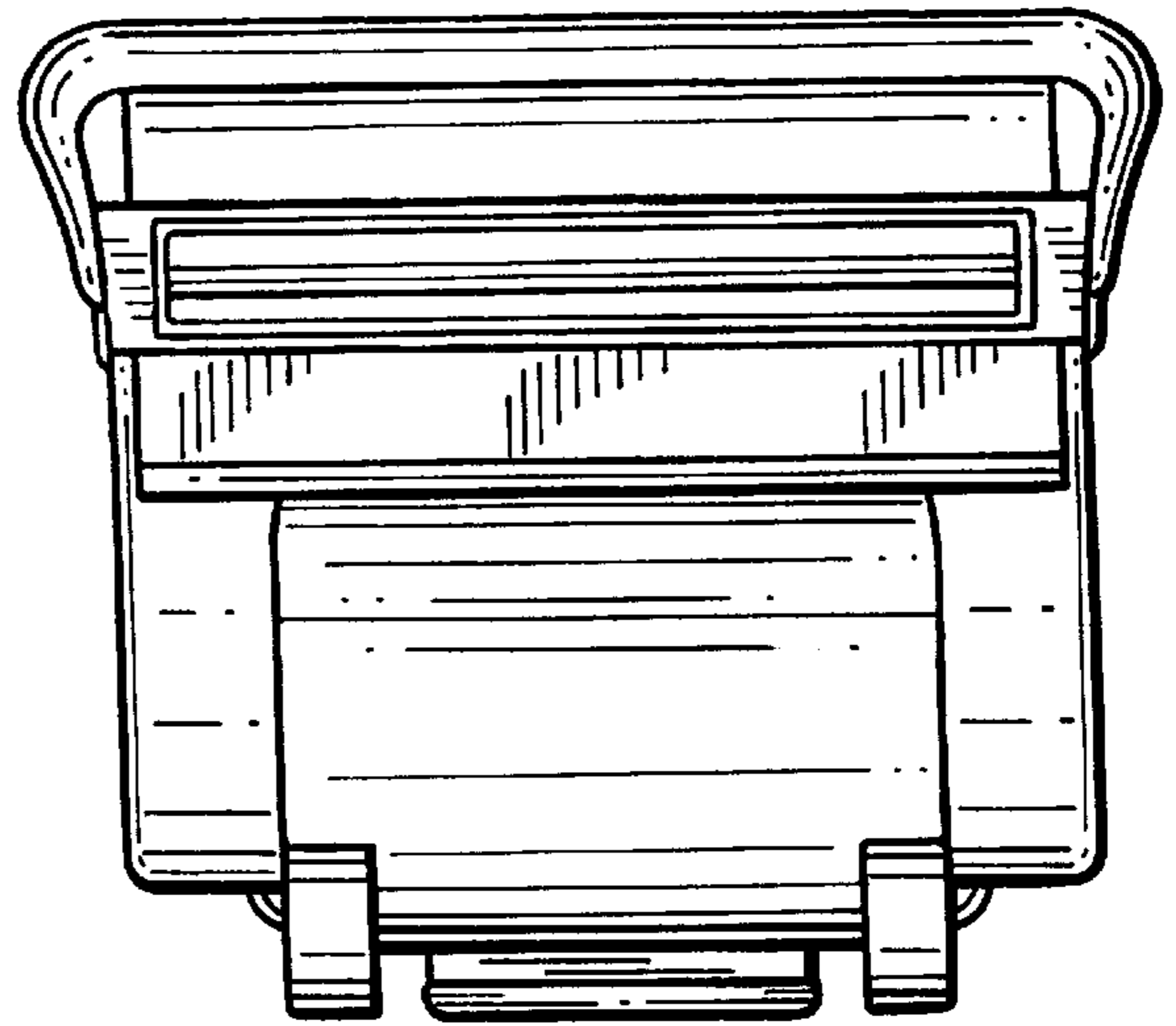
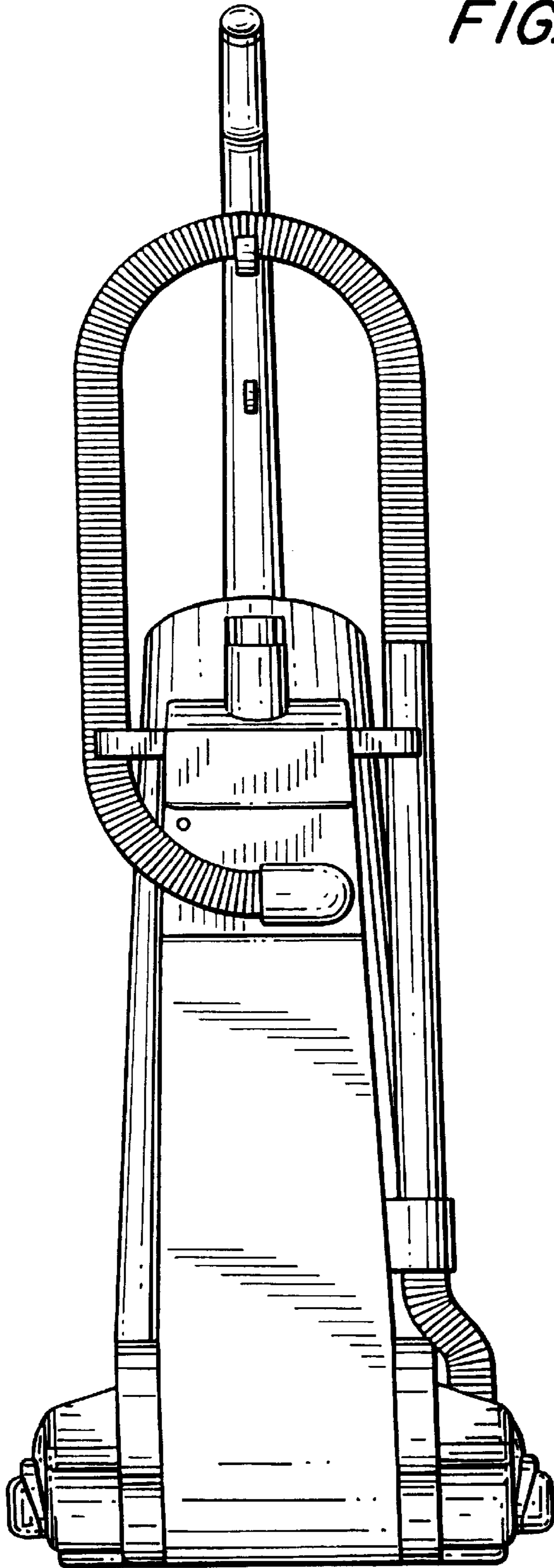
**1 Claim, 6 Drawing Sheets**





*FIG. 2*

*FIG. 3*



*FIG. 4*

FIG. 6

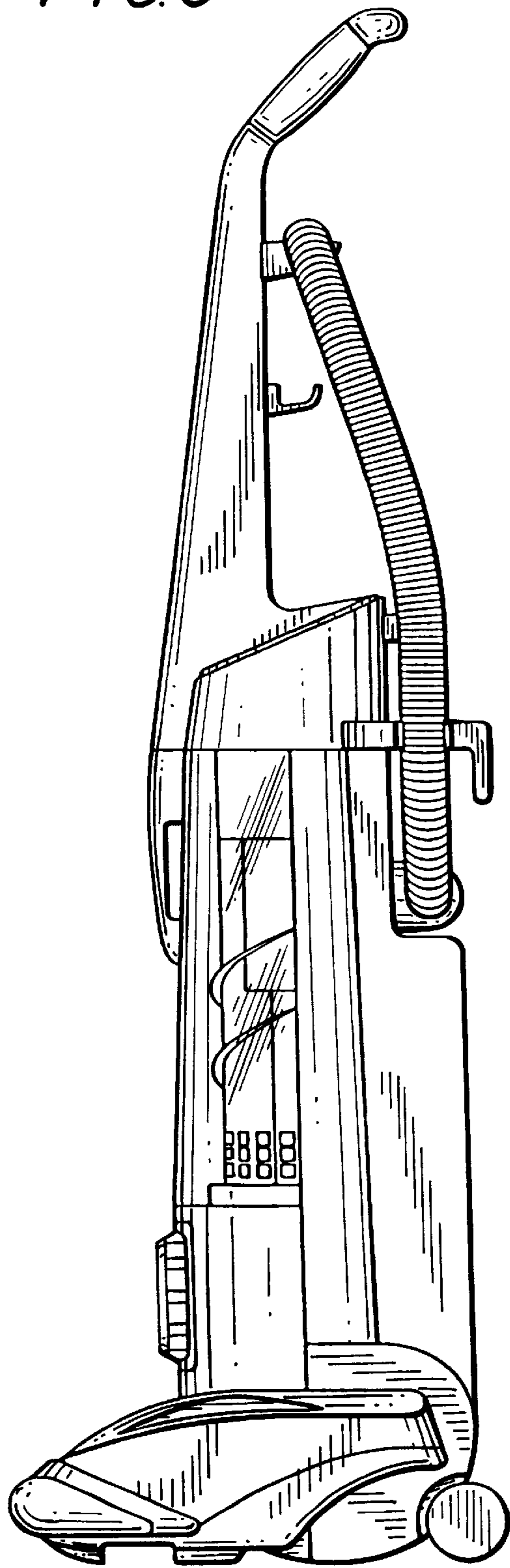
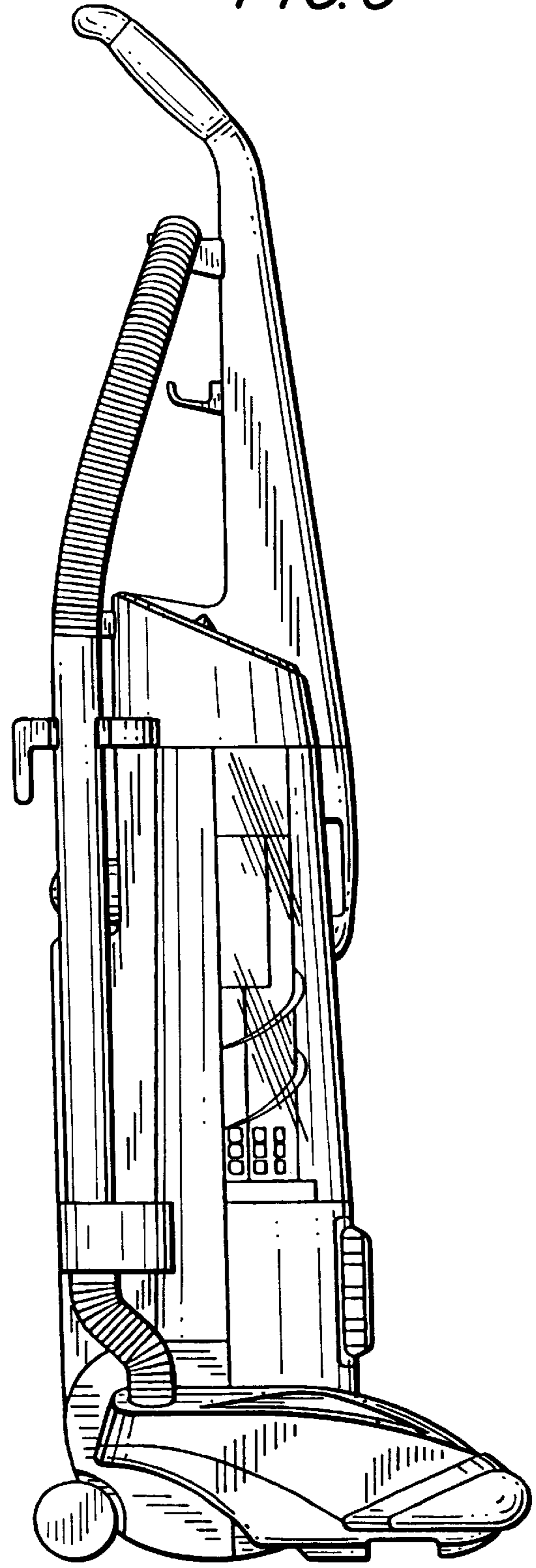
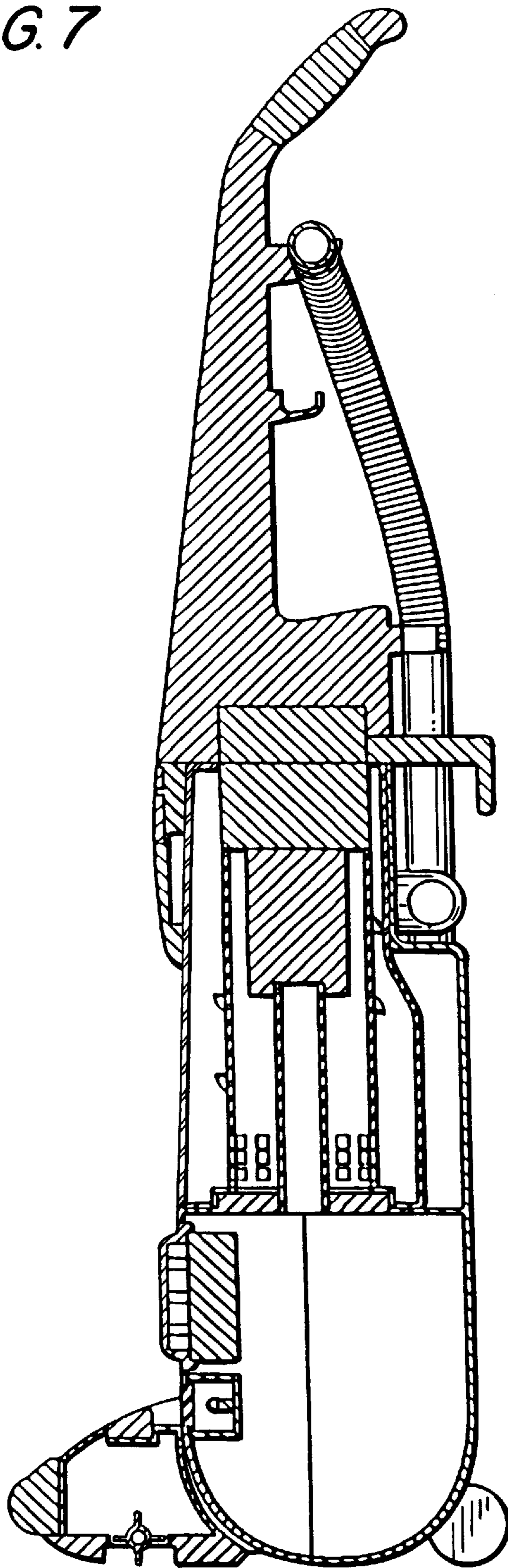


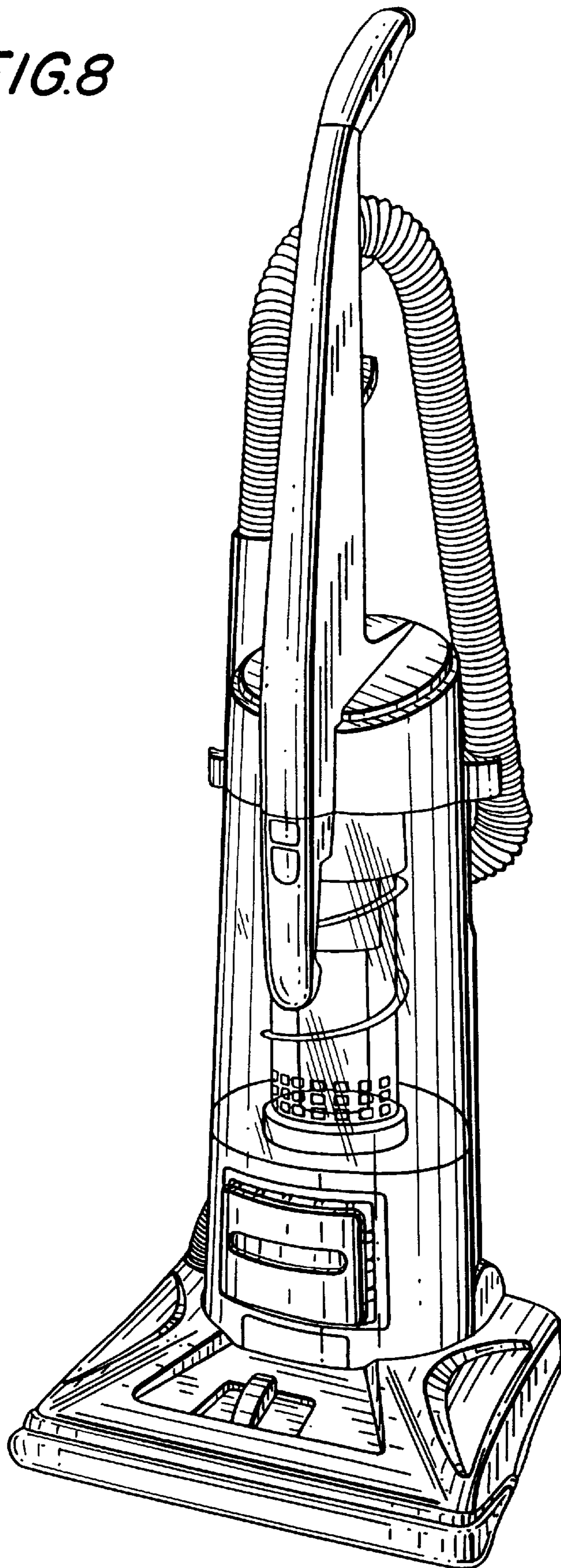
FIG. 5



*FIG. 7*



*FIG. 8*



*FIG. 9*

