



US00D435943S

(12) **United States Design Patent**  
**Dixon**

(10) **Patent No.:** **US D435,943 S**

(45) **Date of Patent:** **\*\* Jan. 2, 2001**

(54) **PET BED**

(76) **Inventor:** **Greg W. Dixon**, 3341 Westerville Woods Dr., Columbus, OH (US) 43231

(\*\*) **Term:** **14 Years**

(21) **Appl. No.:** **29/106,505**

(22) **Filed:** **Jun. 16, 1999**

(51) **LOC (7) Cl.** ..... **30-06**

(52) **U.S. Cl.** ..... **D30/118; D6/387; D6/349**

(58) **Field of Search** ..... D30/118, 119, D30/108, 109; 119/28.5, 453; D6/331, 333, 390, 388, 598, 387, 349; 5/417, 420, 625, 101, 110, 112, 118, 120; D21/520

1,820,284	*	8/1931	Mills	.....	119/28.5
2,980,058	*	4/1961	Hoffman	.....	119/28.5
3,125,663	*	3/1964	Hoffman	.....	119/28.5
4,934,997	*	6/1990	Skakas	.....	5/101
5,113,538	*	5/1992	Branch, III	.....	5/120
5,662,065	*	9/1997	Bandimere et al.	.....	119/28.5
5,860,389	*	1/1999	Caldwell	.....	119/28.5
5,983,422	*	11/1999	Bayless	.....	5/120
6,044,794	*	4/2000	Raitanen et al.	.....	119/28.5

\* cited by examiner

*Primary Examiner*—Cathy Anne MacCormac

(74) *Attorney, Agent, or Firm*—Francis T. Kremblas, Jr.

(57) **CLAIM**

The ornamental design for a pet bed, as shown and described.

(56) **References Cited**

**U.S. PATENT DOCUMENTS**

D. 127,808	*	6/1941	McGillicuddy	.....	D30/118
D. 164,307	*	8/1951	Leep	.....	D6/333
D. 181,863	*	1/1958	Lovett	.....	D21/520
234,016	*	11/1880	Fosburgh	.....	5/118
D. 338,744	*	8/1993	Marlon et al.	.....	D30/118
D. 376,447	*	12/1996	Stump	.....	D30/118
D. 406,199	*	3/1999	Liu	.....	D6/382
D. 423,608	*	4/2000	Michaelson	.....	D21/520
512,580	*	1/1894	Gerber	.....	5/120

**DESCRIPTION**

FIG. 1 is an end view of a pet bed showing my new design, the other end being identical;  
FIG. 2 is a top view of the pet bed as shown in FIG. 1;  
FIG. 3 is a bottom view of the pet bed as shown in FIG. 1;  
FIG. 4 is a side view of the pet bed as shown in FIG. 1, the other side being identical; and,  
FIG. 5 is a perspective view of the pet bed as shown in FIG. 1.

**1 Claim, 3 Drawing Sheets**

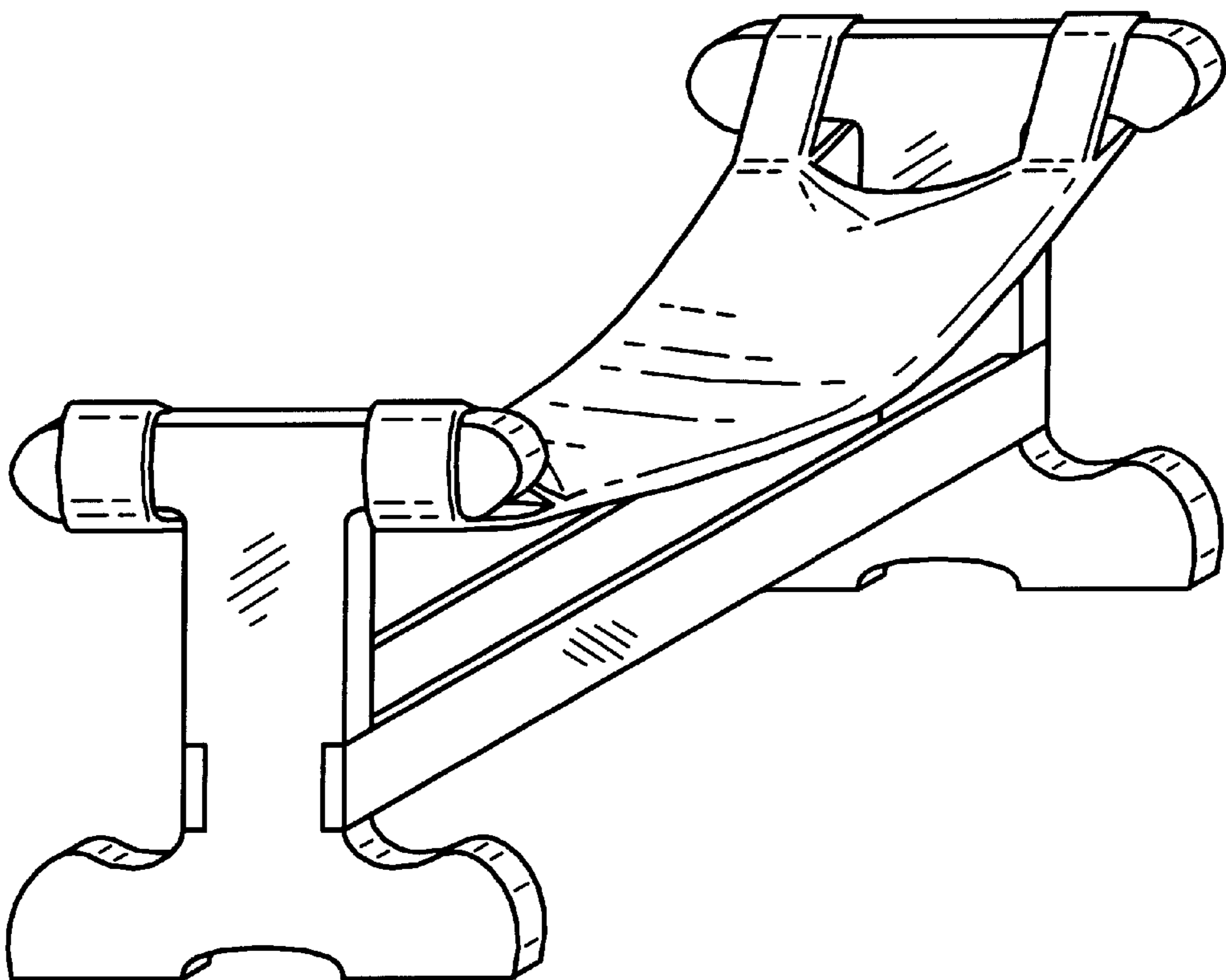


Fig. 1

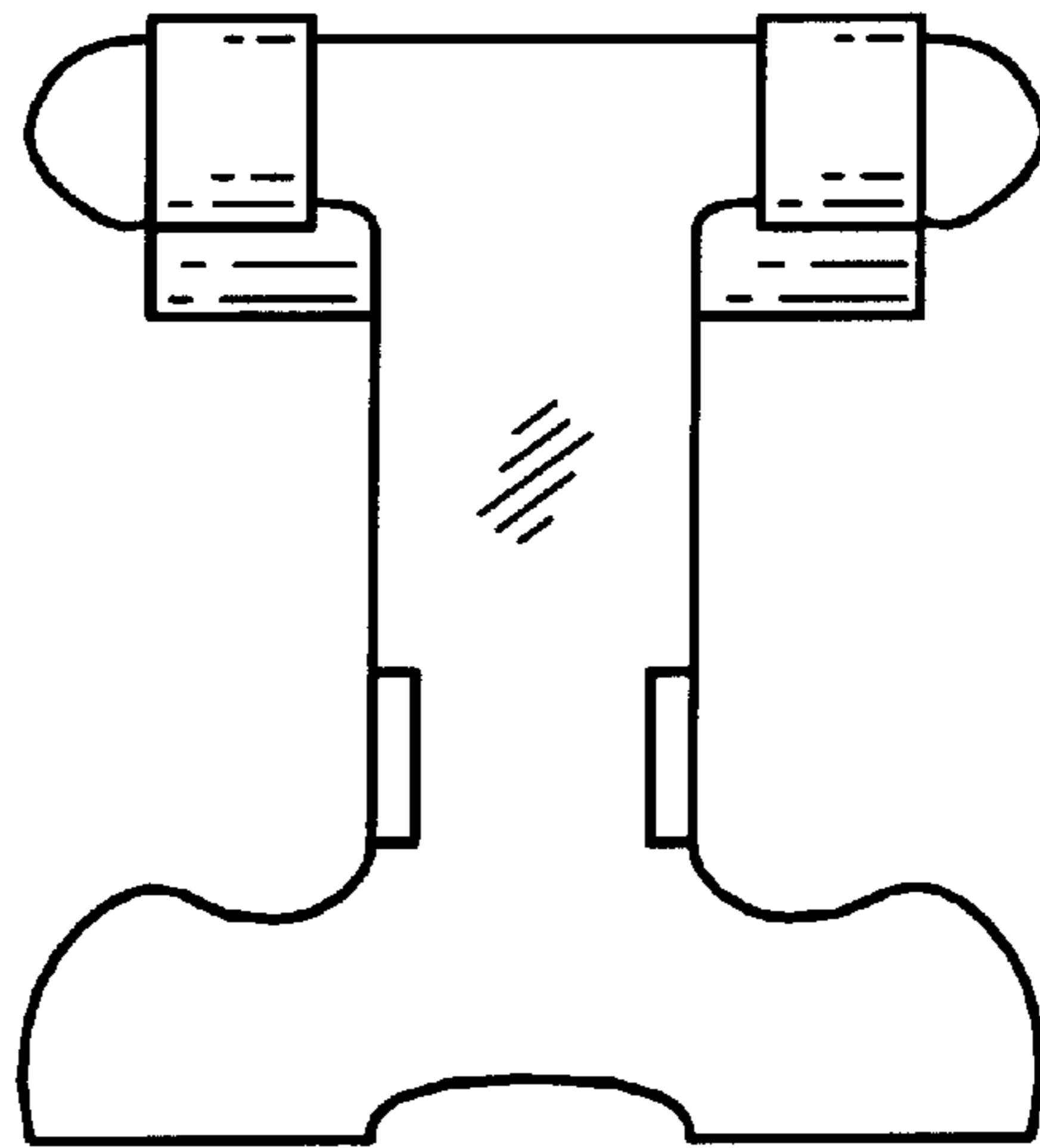


Fig. 2

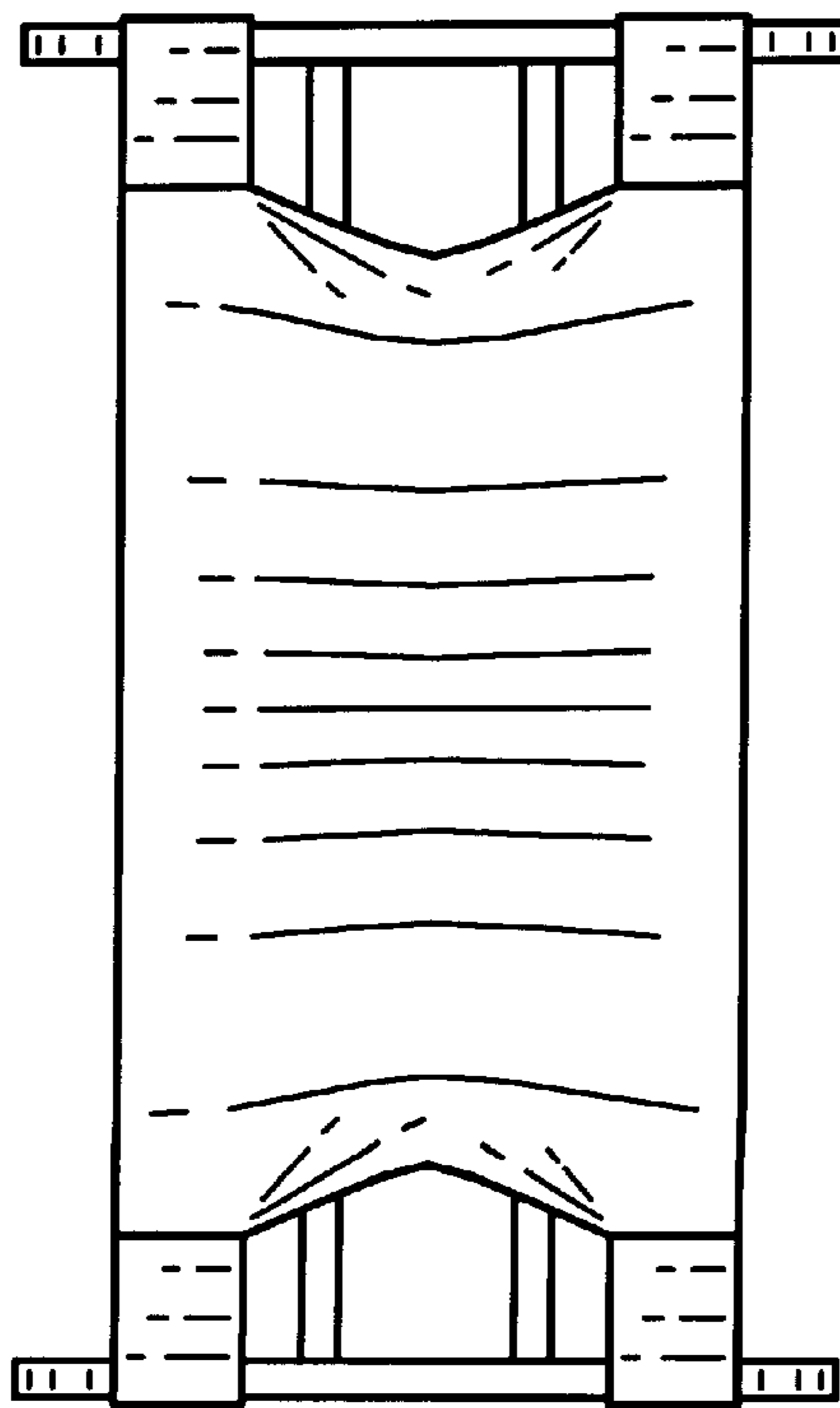


Fig. 3

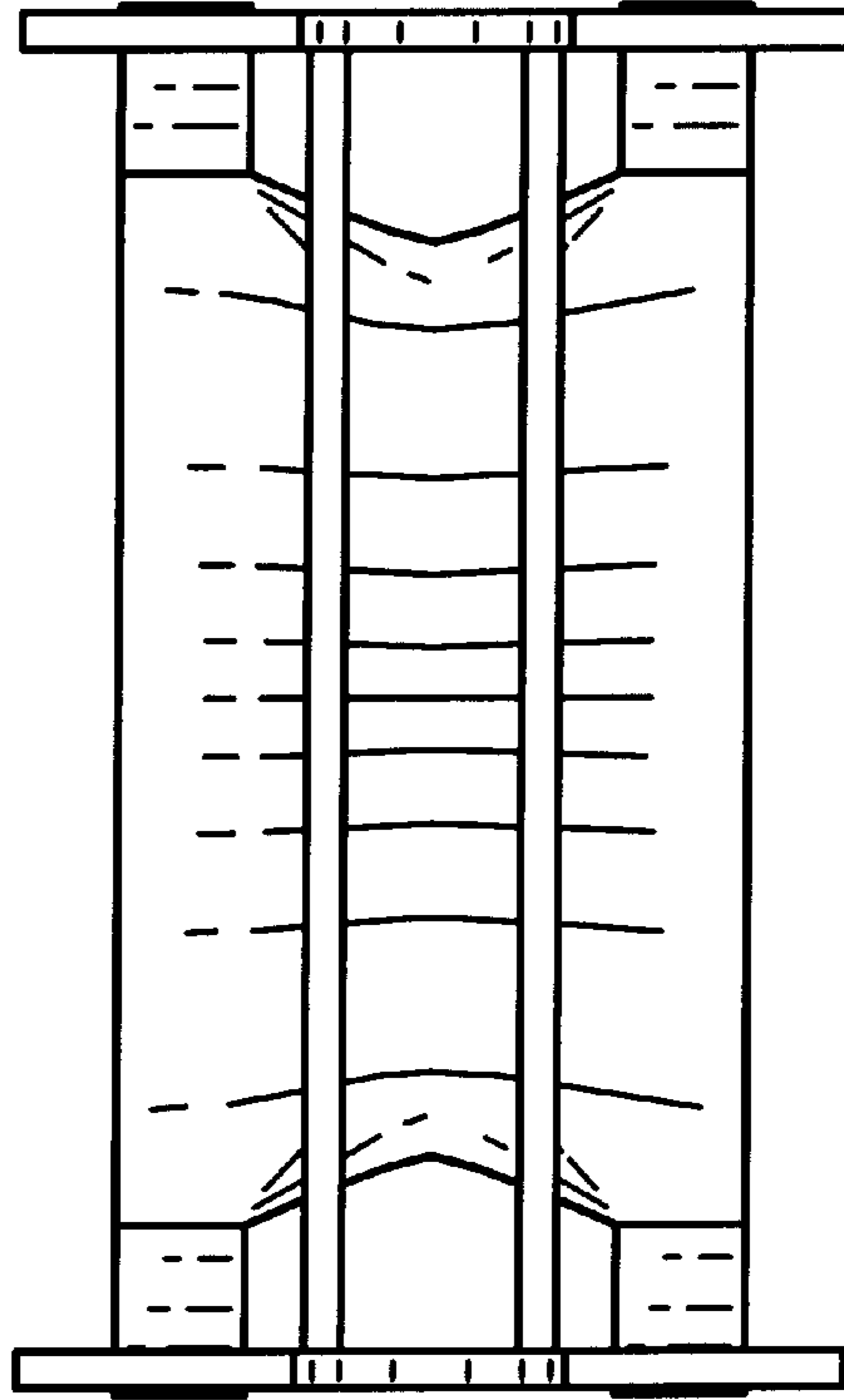


Fig. 4

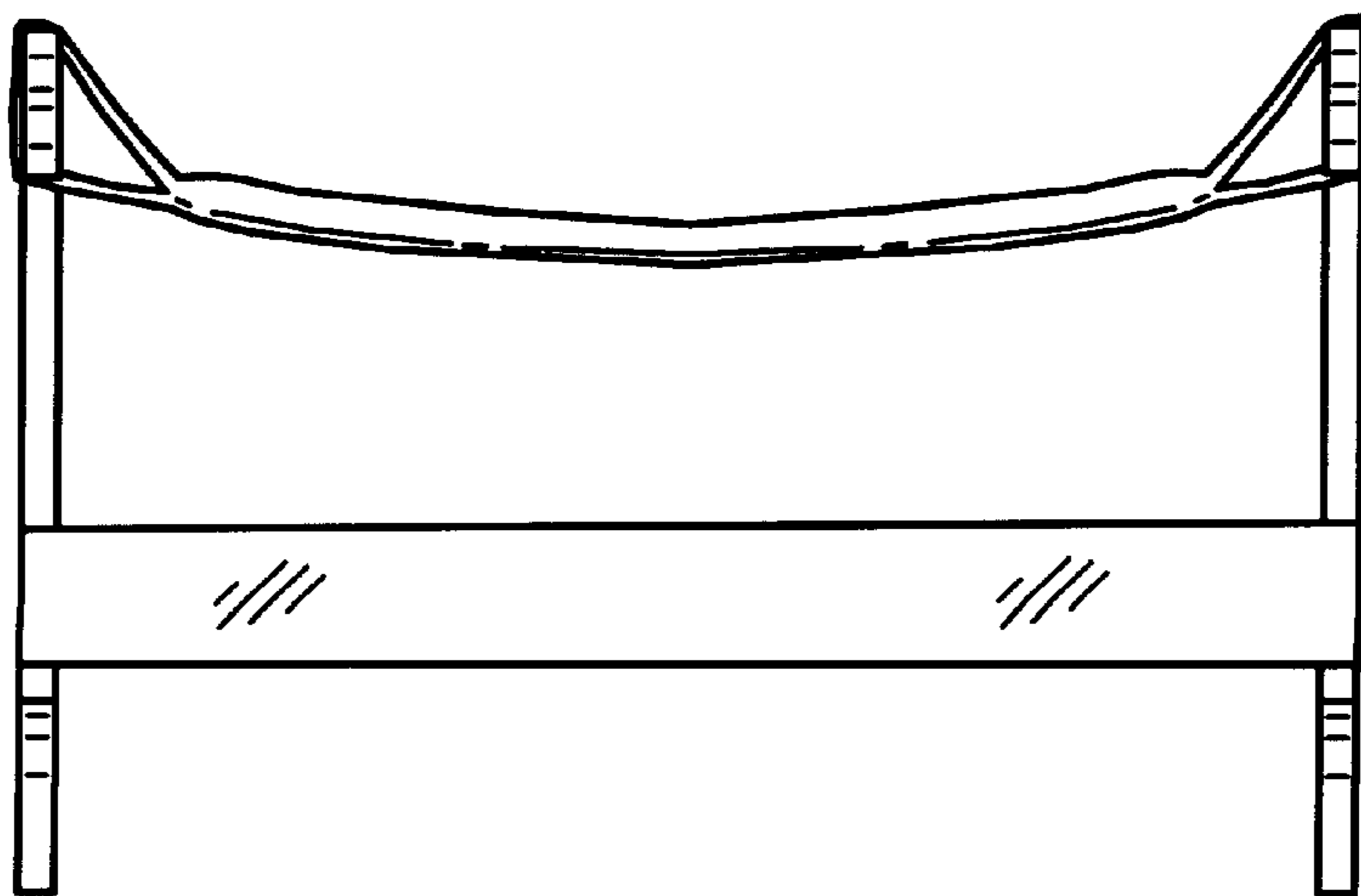


Fig. 5

