



US00D435942S

(12) **United States Design Patent**
Willinger

(10) **Patent No.:** **US D435,942 S**

(45) **Date of Patent:** **** Jan. 2, 2001**

(54) **DECORATIVE BASE FOR A FISHBOWL**

(75) **Inventor:** **Harding W. Willinger**, Palm Beach, FL (US)

(73) **Assignee:** **Imagine Gold, L.L.C.**, South Hackensack, NJ (US)

(**) **Term:** **14 Years**

(21) **Appl. No.:** **29/119,678**

(22) **Filed:** **Mar. 6, 2000**

(51) **LOC (7) Cl.** **30-02**

(52) **U.S. Cl.** **D30/106**

(58) **Field of Search** D30/101-107;
119/245-253, 265; 47/69; D11/145

(56) **References Cited**

U.S. PATENT DOCUMENTS

Re. 30,531	*	3/1981	Spector	47/69
D. 85,253	*	9/1931	Matsuno	D30/102
D. 119,982	*	4/1940	Munz	47/69
D. 133,495	*	8/1942	Meyer	D11/145
D. 229,766	*	1/1974	Kephart	119/247
D. 231,677	*	5/1974	Miller	D30/101
D. 252,588	*	8/1979	Spinner	D25/19
D. 294,751	*	3/1988	Shaiu	D30/101
D. 327,233	*	6/1992	McClellan	D11/131
D. 347,911	*	6/1994	Tominaga	D30/101
D. 349,979	*	8/1994	Ulloa et al.	D30/102

D. 371,225	*	6/1996	Ross	D30/102
D. 391,686	*	3/1998	Shuie	D30/104
D. 418,634	*	1/2000	Harmony	D30/101
2,155,811	*	4/1939	Tredup	47/69
2,226,951	*	12/1940	Simpson	47/69
2,724,213	*	11/1955	Weil	47/69
4,128,966	*	12/1978	Spector	47/69
4,143,191	*	3/1979	Chavis	47/63
5,094,349	*	3/1992	DeVito	211/50
5,347,952	*	9/1994	Tsai	119/246
5,967,088	*	10/1999	Lin	119/253

* cited by examiner

Primary Examiner—Cathy Anne MacCormac

(74) *Attorney, Agent, or Firm*—Arthur Jacob

(57) **CLAIM**

The ornamental design for a decorative base for a fishbowl, as shown and described.

DESCRIPTION

FIG. 1 is a front elevational view showing my new design, the rear elevational view being identical;

FIG. 2 is a top and right side perspective view thereof;

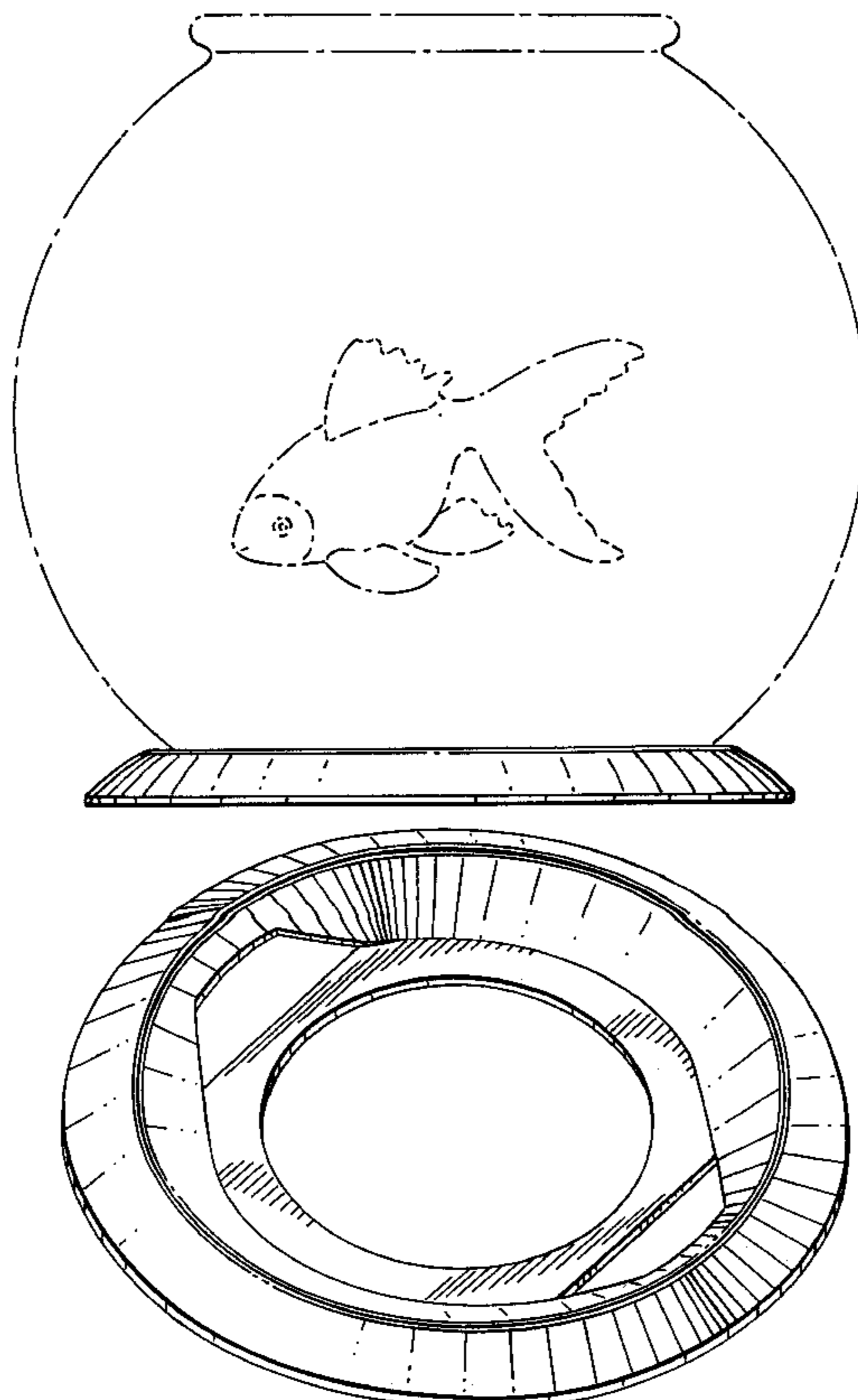
FIG. 3 is a top plan view thereof;

FIG. 4 is a right side elevational view thereof, the left side elevational view being identical; and,

FIG. 5 is a bottom plan view thereof.

The broken lines in FIG. 1 are for purposes of illustration only and do not form a part of the claimed design.

1 Claim, 3 Drawing Sheets



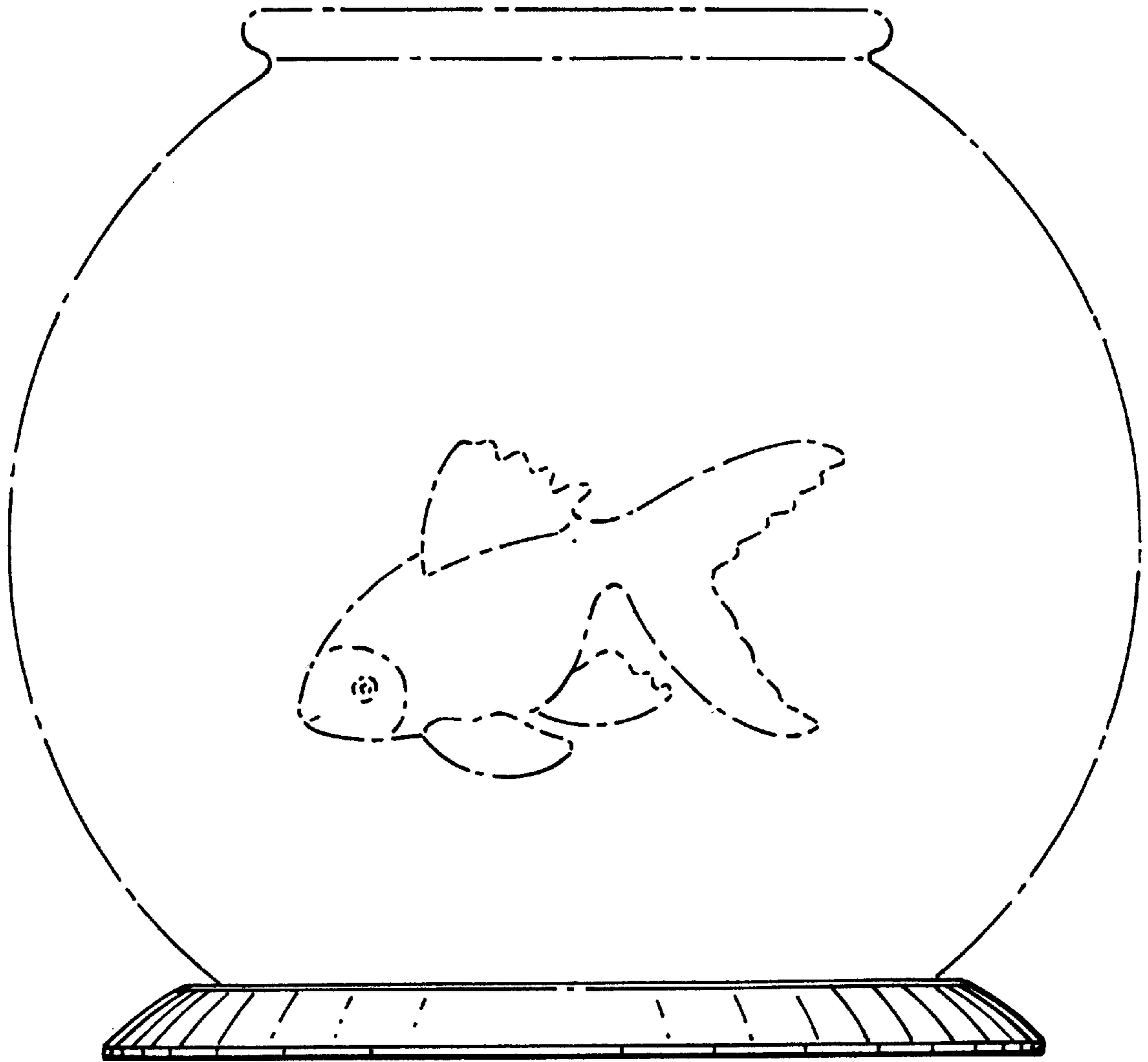


FIG. 1

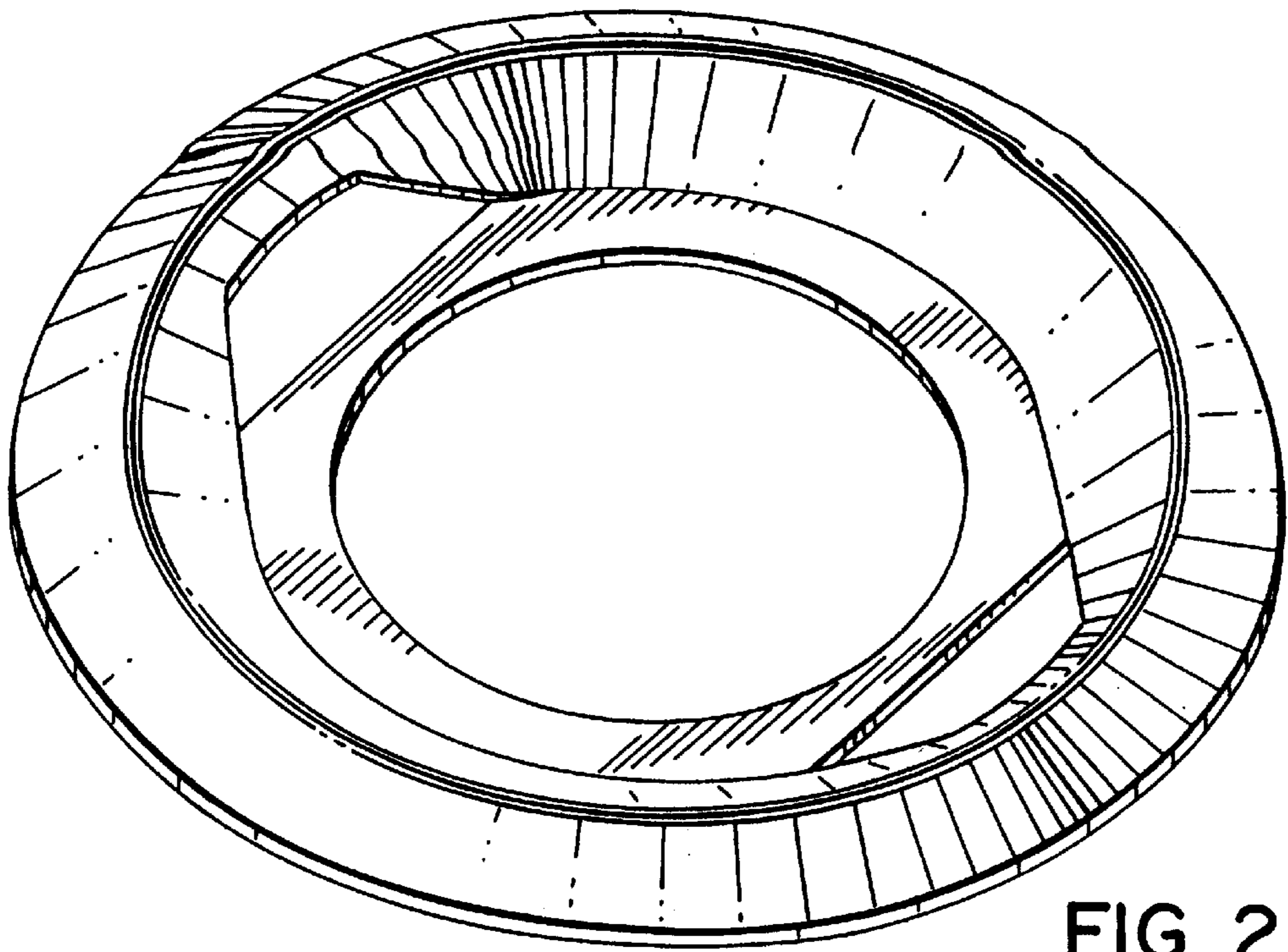


FIG. 2

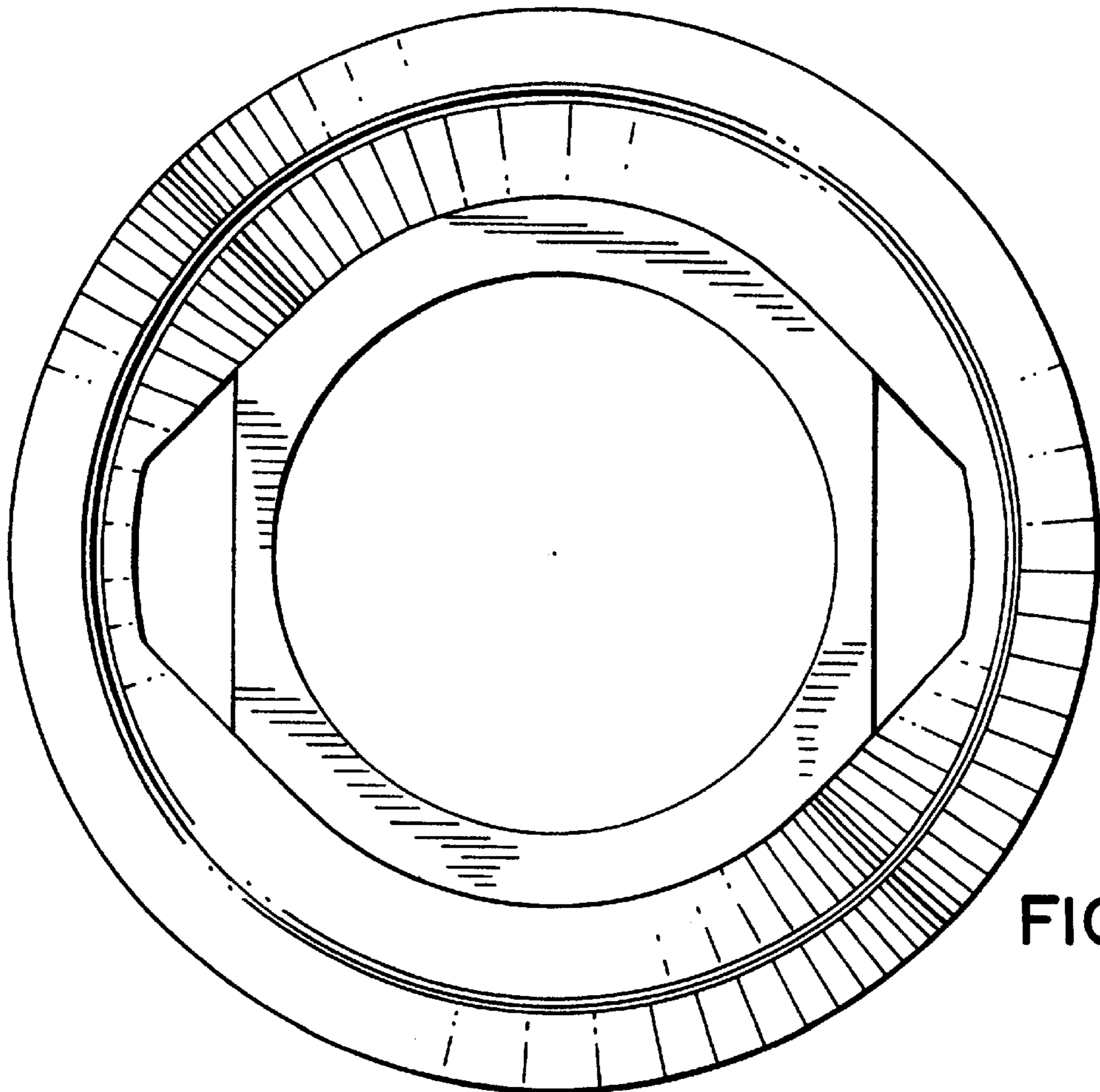


FIG. 3

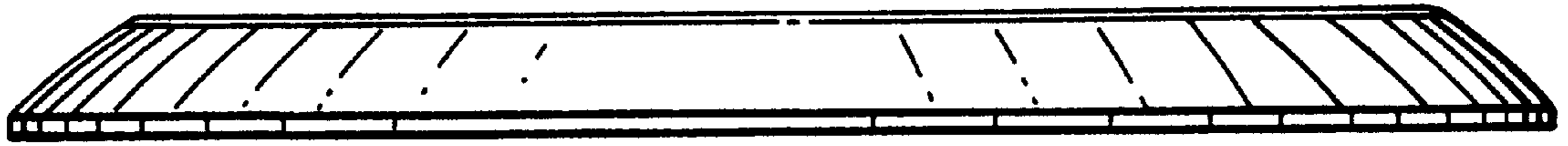


FIG. 4

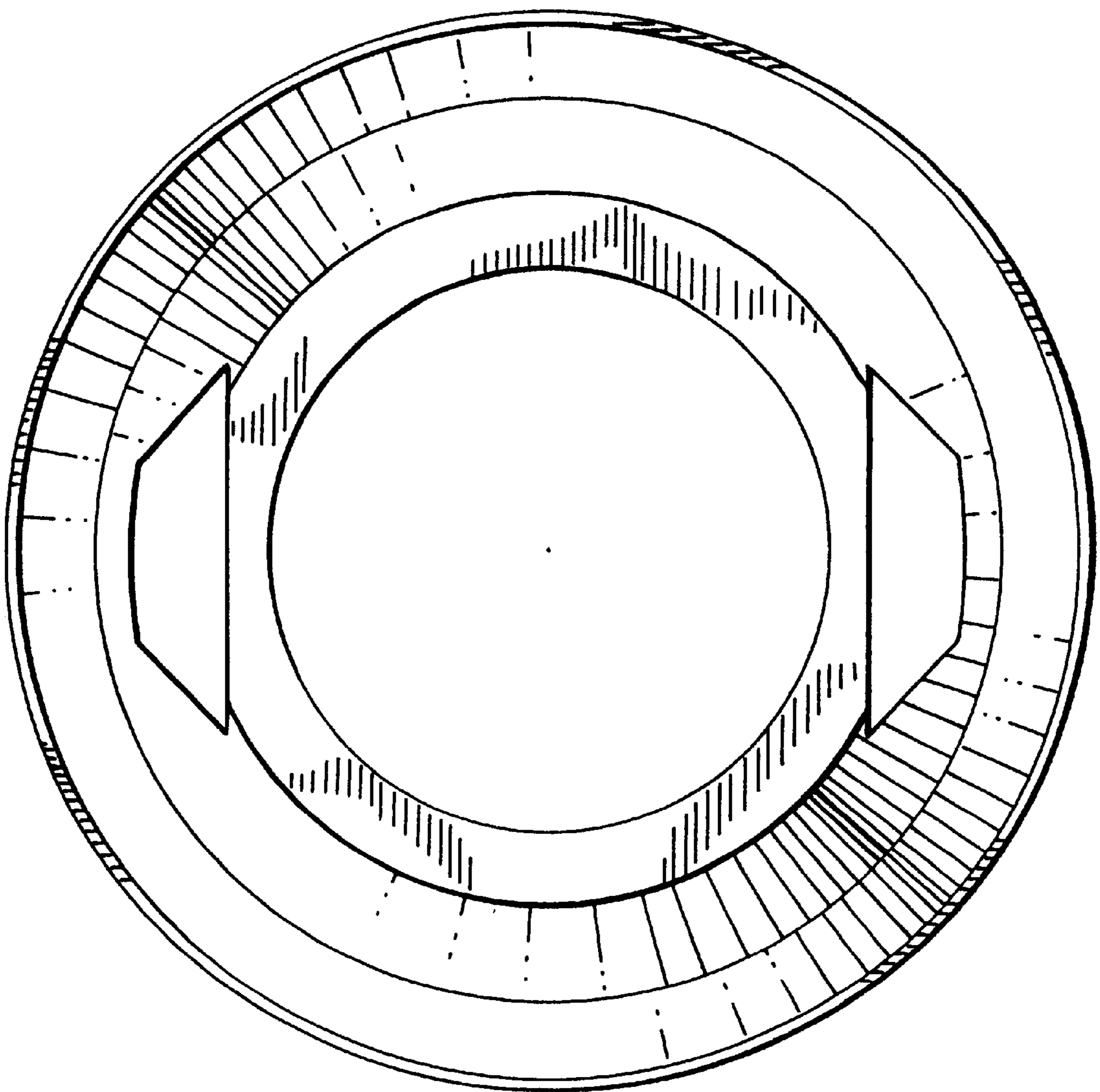


FIG. 5