



US00D435939S

(12) **United States Design Patent**
Thorpe et al.

(10) **Patent No.:** **US D435,939 S**

(45) **Date of Patent:** **** Jan. 2, 2001**

(54) **FINGER RING COSMETIC CONTAINER
HAVING A HEART SHAPED RECEPTACLE**

D. 157,702 3/1950 Reilly .
D. 159,495 8/1950 Linden .
D. 160,154 9/1950 Flamand .

(75) Inventors: **James Thorpe**, Beckenham; **Rebecca Louise Goswell**, Richmond, both of (GB)

(List continued on next page.)

FOREIGN PATENT DOCUMENTS

(73) Assignee: **HCT Limited**, Hong Kong (CN)

462170 1/1950 (CA) .
76219 4/1918 (CH) .

(**) Term: **14 Years**

OTHER PUBLICATIONS

(21) Appl. No.: **29/111,985**

Essence Sep. 1998, p. 30: compact indicated by arrow.

(22) Filed: **Oct. 7, 1999**

Primary Examiner—Paula A. Mortimer

(51) **LOC (7) Cl.** **28-03**

(52) **U.S. Cl.** **D28/77; D28/79**

(58) **Field of Search** D28/76, 77, 78,
D28/79; D11/2, 26, 30, 32, 34; 206/32;
63/2, 26, 1.1, 15.5, 15; 224/221

(74) *Attorney, Agent, or Firm*—Norris, McLaughlin & Marcus

(57) **CLAIM**

The ornamental design for a finger ring cosmetic container having a heart shaped receptacle, as shown and described.

(56) **References Cited**

DESCRIPTION

U.S. PATENT DOCUMENTS

- D. 66,901 3/1925 Suderov .
- D. 85,403 10/1931 Swanson .
- D. 119,196 2/1940 Frommer .
- D. 123,646 11/1940 Di Verdura .
- D. 125,612 3/1941 Dopyera .
- D. 140,109 1/1945 Pierce .
- D. 140,450 2/1945 Rubel .
- D. 141,655 6/1945 Rubel .
- D. 142,473 10/1945 Fisk .
- D. 143,554 * 1/1946 Settick D28/79
- D. 143,966 2/1946 Fisk et al. .
- D. 143,967 2/1946 Fisk et al. .
- D. 145,394 8/1946 Graeter .
- D. 145,811 10/1946 Linduska .
- D. 146,104 12/1946 Graeter .
- D. 146,323 2/1947 Seech .
- D. 148,183 12/1947 Packales .
- D. 152,216 12/1948 Quethera .
- D. 152,486 1/1949 Lorillard .
- D. 152,604 2/1949 Fanelli .
- D. 154,531 7/1949 Caskey .

FIG. 1 is a perspective view of the finger ring cosmetic container having a heart shaped receptacle of the present invention showing a cosmetic receptacle having a cover in its closed position;

FIG. 2 is a perspective view of the finger ring cosmetic container having a heart shaped receptacle of the present invention showing a cosmetic receptacle having a cover in its open position;

FIG. 3 is a front end elevational view showing the cover in its closed position;

FIG. 4 is a side elevational view showing the cover in its closed position;

FIG. 5 is a back end elevational view showing the cover in its closed position;

FIG. 6 is a top plan view showing the cover in its closed position and a cosmetic receptacle having a heart shape; and, FIG. 7 is a bottom plan view showing the cover in its closed position.

1 Claim, 3 Drawing Sheets

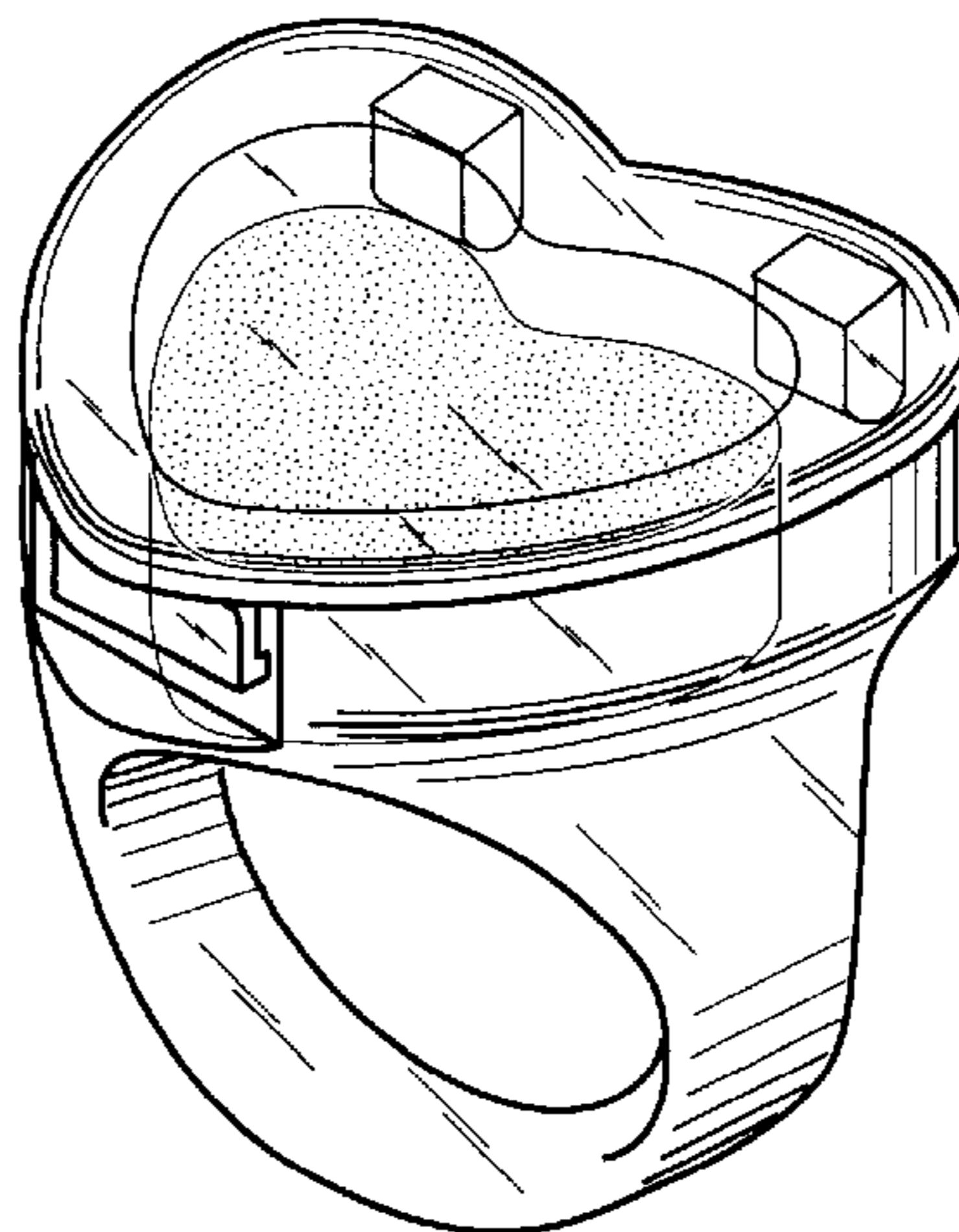


FIG. 1

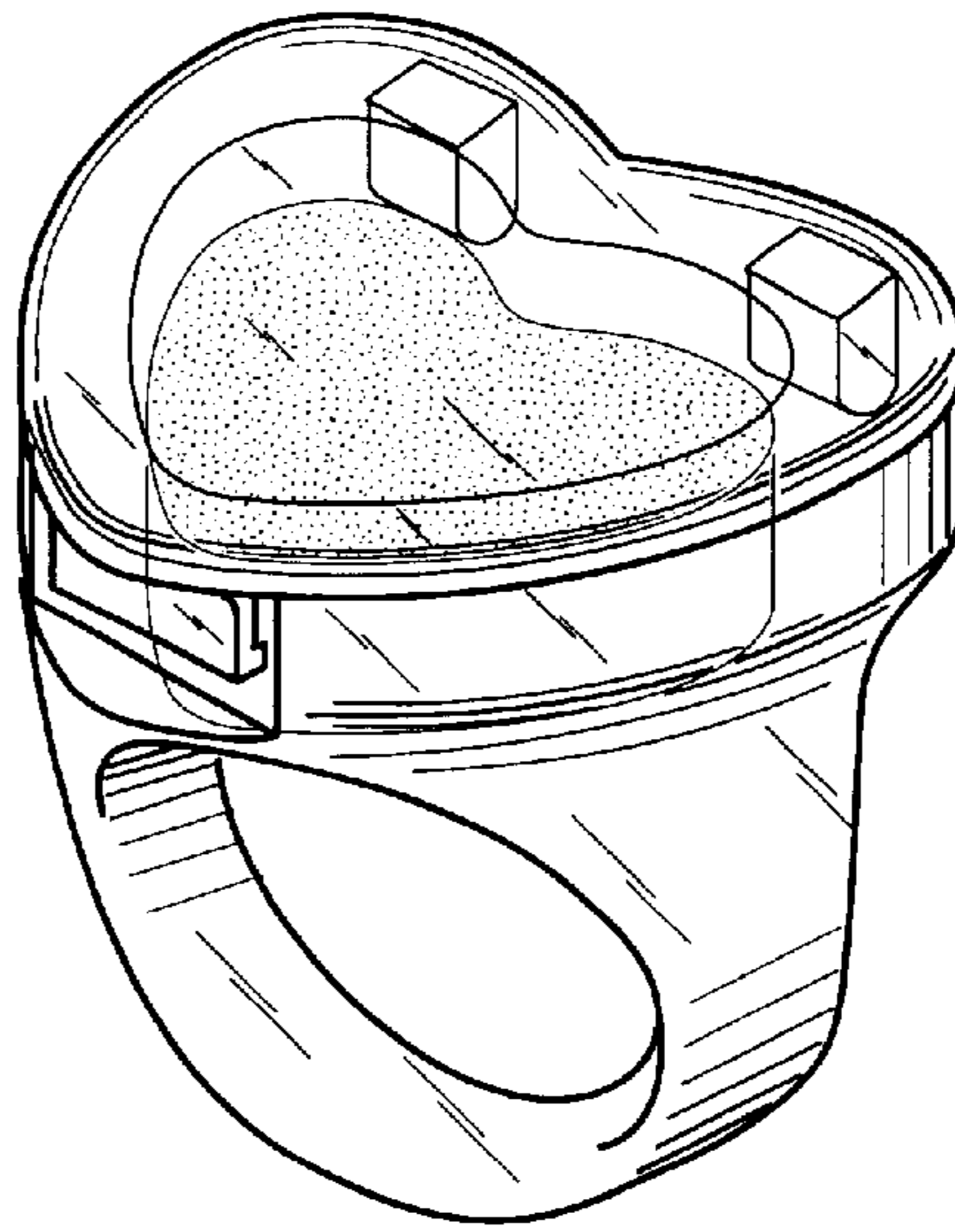


FIG. 2

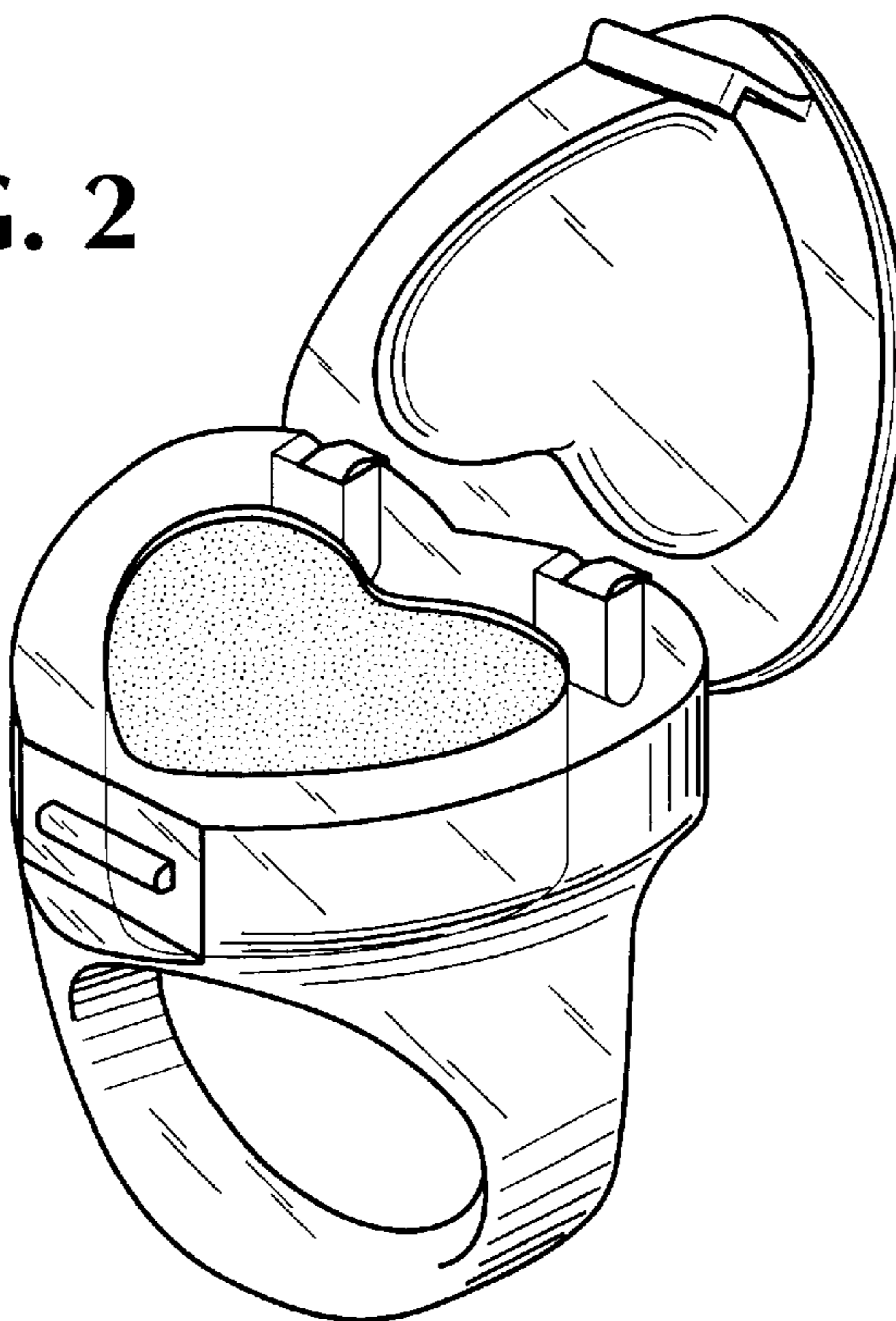


FIG. 3

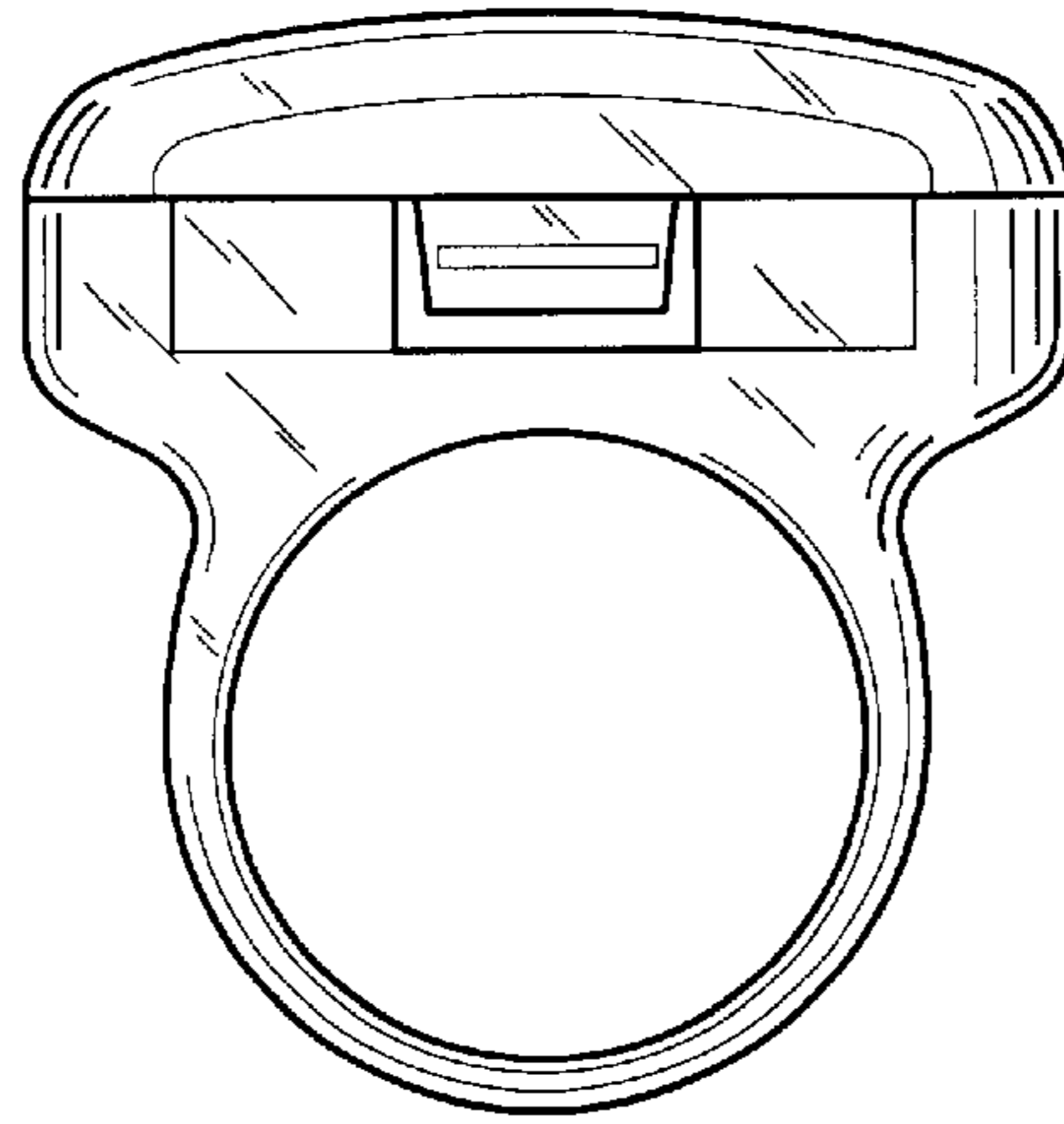


FIG. 4

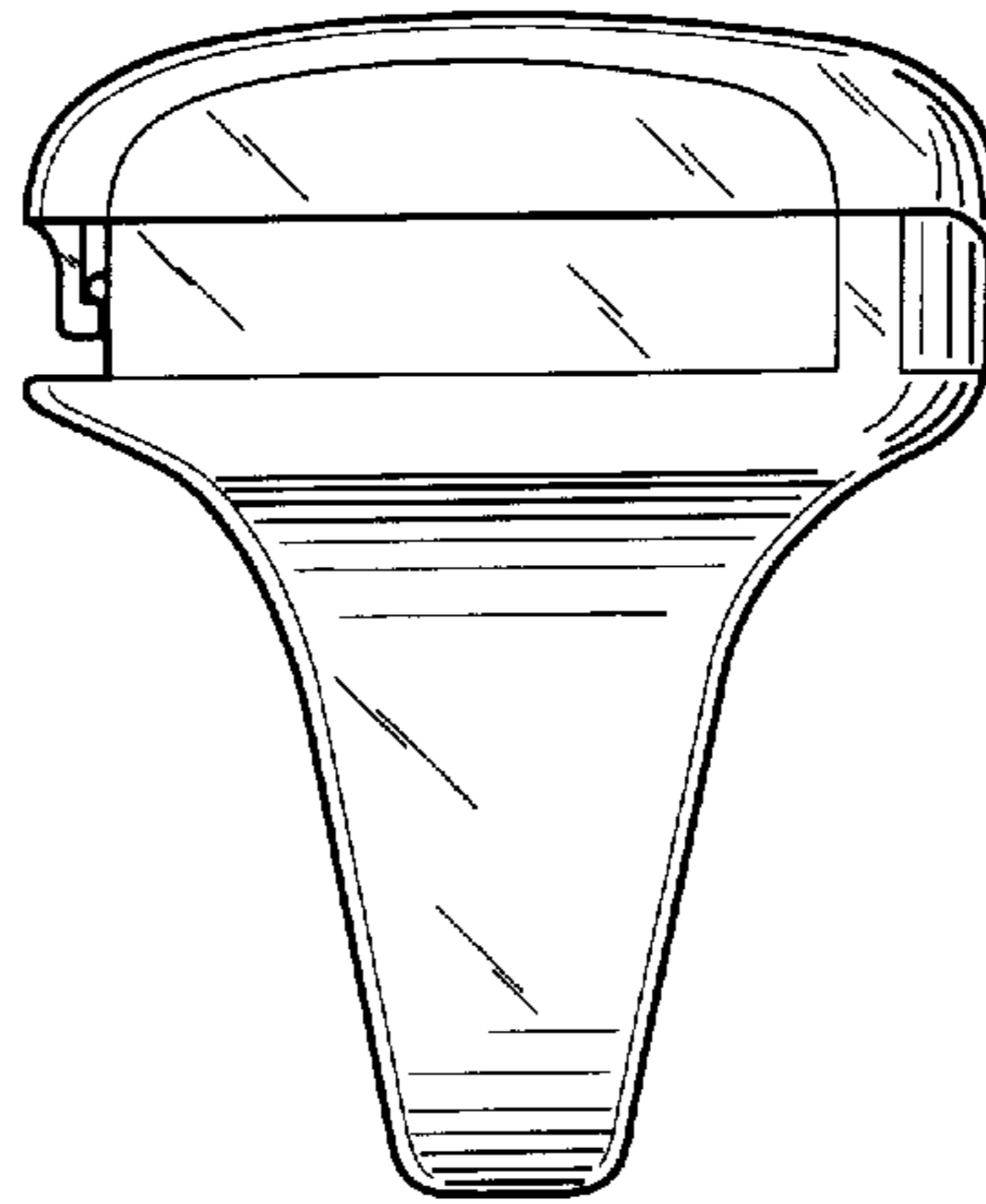


FIG. 5

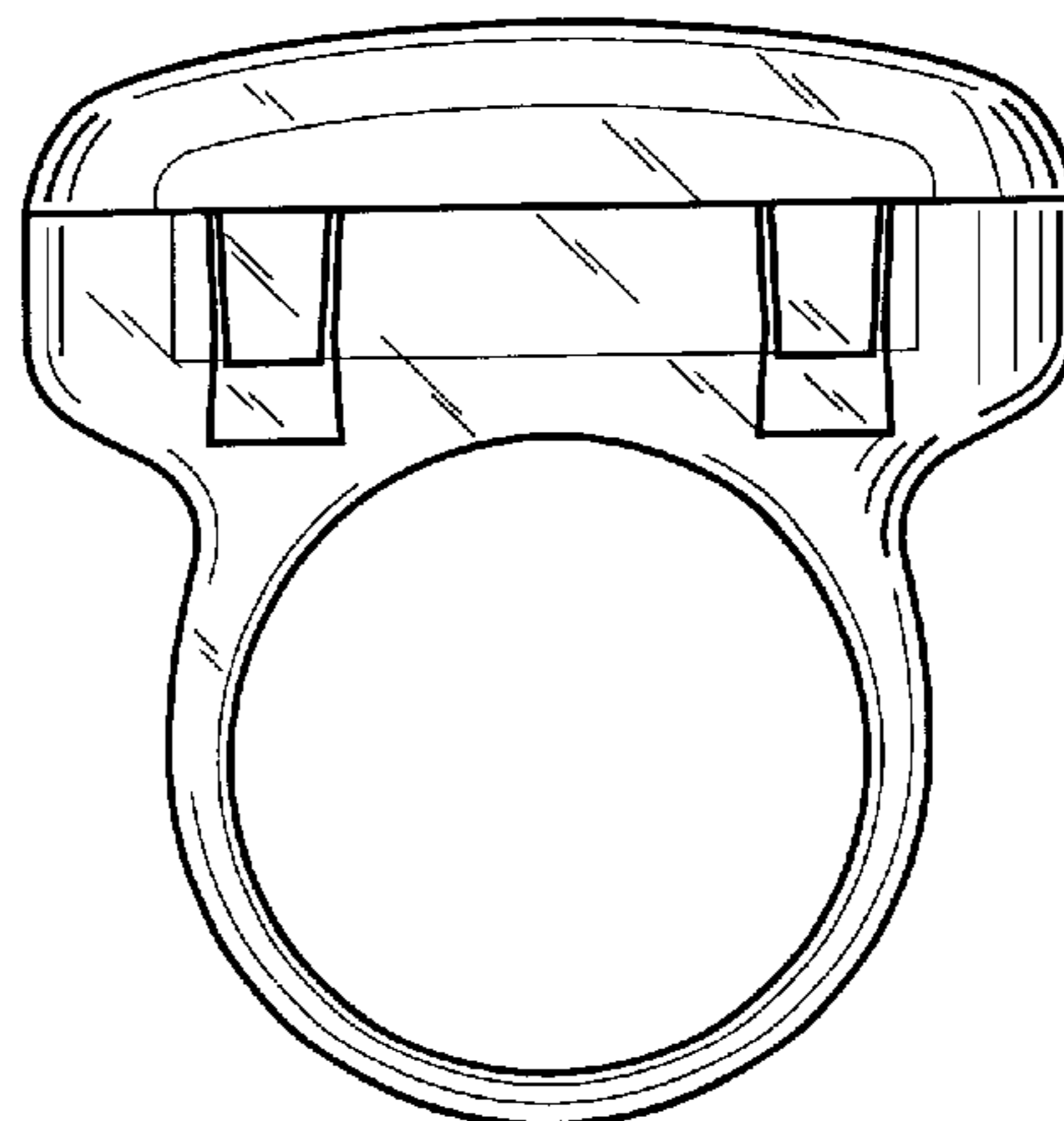


FIG. 6

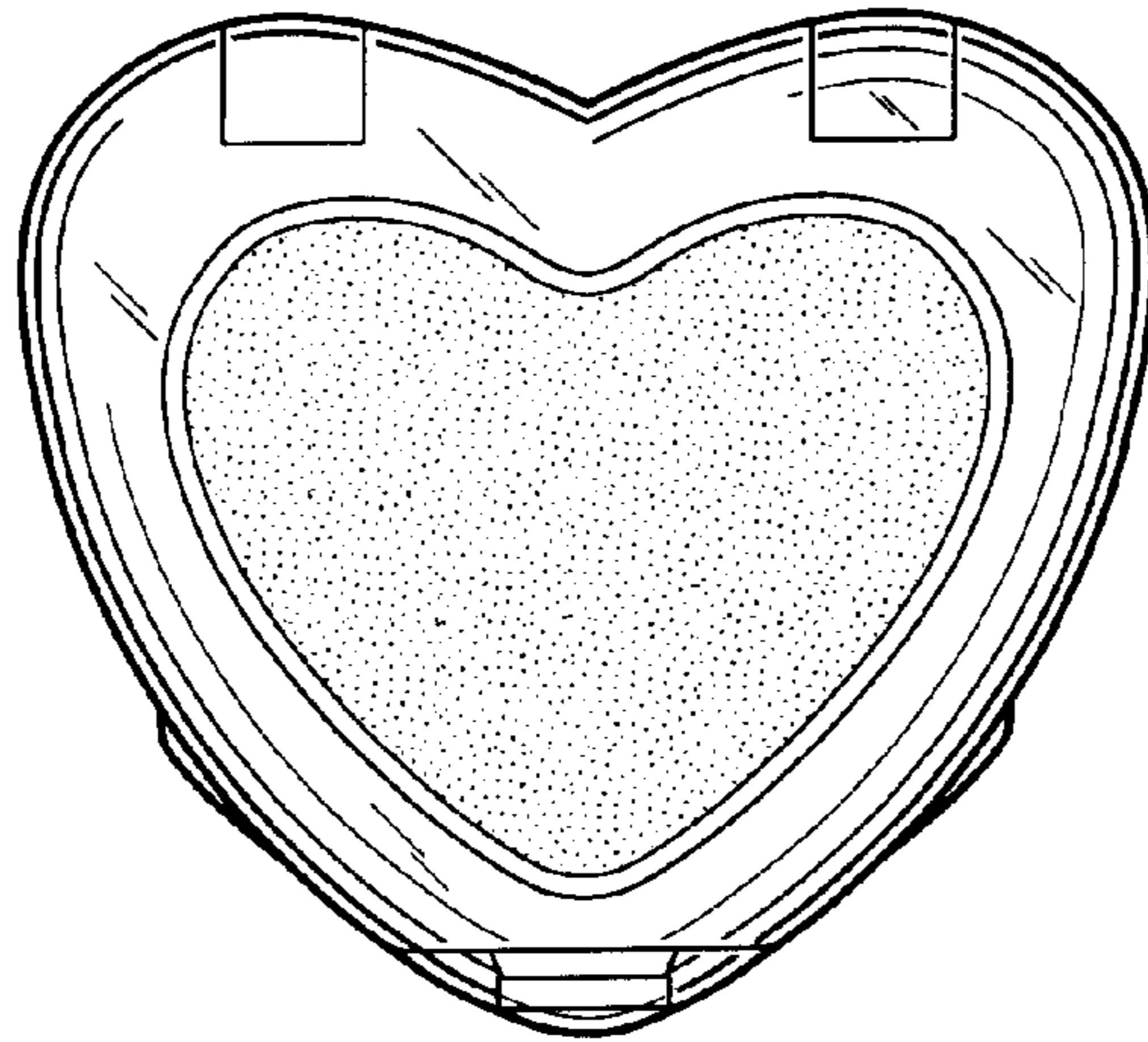


FIG. 7

