



US00D435938S

(12) **United States Design Patent**
Bushman

(10) **Patent No.:** **US D435,938 S**

(45) **Date of Patent:** **** Jan. 2, 2001**

- (54) **STAND FOR A HAIR TRIMMER**
- (75) Inventor: **Christine Marie Bushman**, Sterling, IL (US)
- (73) Assignee: **Wahl Clipper Corporation**, Sterling, IL (US)
- (**) Term: **14 Years**
- (21) Appl. No.: **29/113,753**
- (22) Filed: **Nov. 10, 1999**

- D. 305,074 12/1989 Mockovak .
- D. 360,485 7/1995 Simonelli .
- D. 409,799 * 5/1999 Prochaska D28/73
- D. 426,676 * 6/2000 Bushman D28/73
- 4,152,831 5/1979 Davies .

* cited by examiner

Primary Examiner—Paula A. Mortimer

(74) *Attorney, Agent, or Firm*—Greer, Burns & Crain, Ltd.

(57) **CLAIM**

The ornamental design for a stand for a hair trimmer, as shown and described.

Related U.S. Application Data

- (63) Continuation-in-part of application No. 29/098,948, filed on Jan. 8, 1999, now Pat. No. Des. 426,676.
- (51) **LOC (7) Cl.** **28-03**
- (52) **U.S. Cl.** **D28/73**
- (58) **Field of Search** D28/73, 74, 75;
211/13.1; 206/349, 351, 352, 228, 208;
248/127, 146, 148, 176.1, 117.5; D6/524,
526; 30/231

DESCRIPTION

- FIG. 1 is a perspective view of the present stand for a hair trimmer;
- FIG. 2 is a top view of the stand for a hair trimmer of FIG. 1;
- FIG. 3 is a rear view of the stand for a hair trimmer of FIG. 1;
- FIG. 4 is a left side view of the stand for the hair trimmer of FIG. 1, the right side being identical;
- FIG. 5 is a front view of the present stand for a hair trimmer; and,
- FIG. 6 is a bottom view of same.

(56) **References Cited**

U.S. PATENT DOCUMENTS

- D. 304,868 11/1989 Spencer .

1 Claim, 2 Drawing Sheets

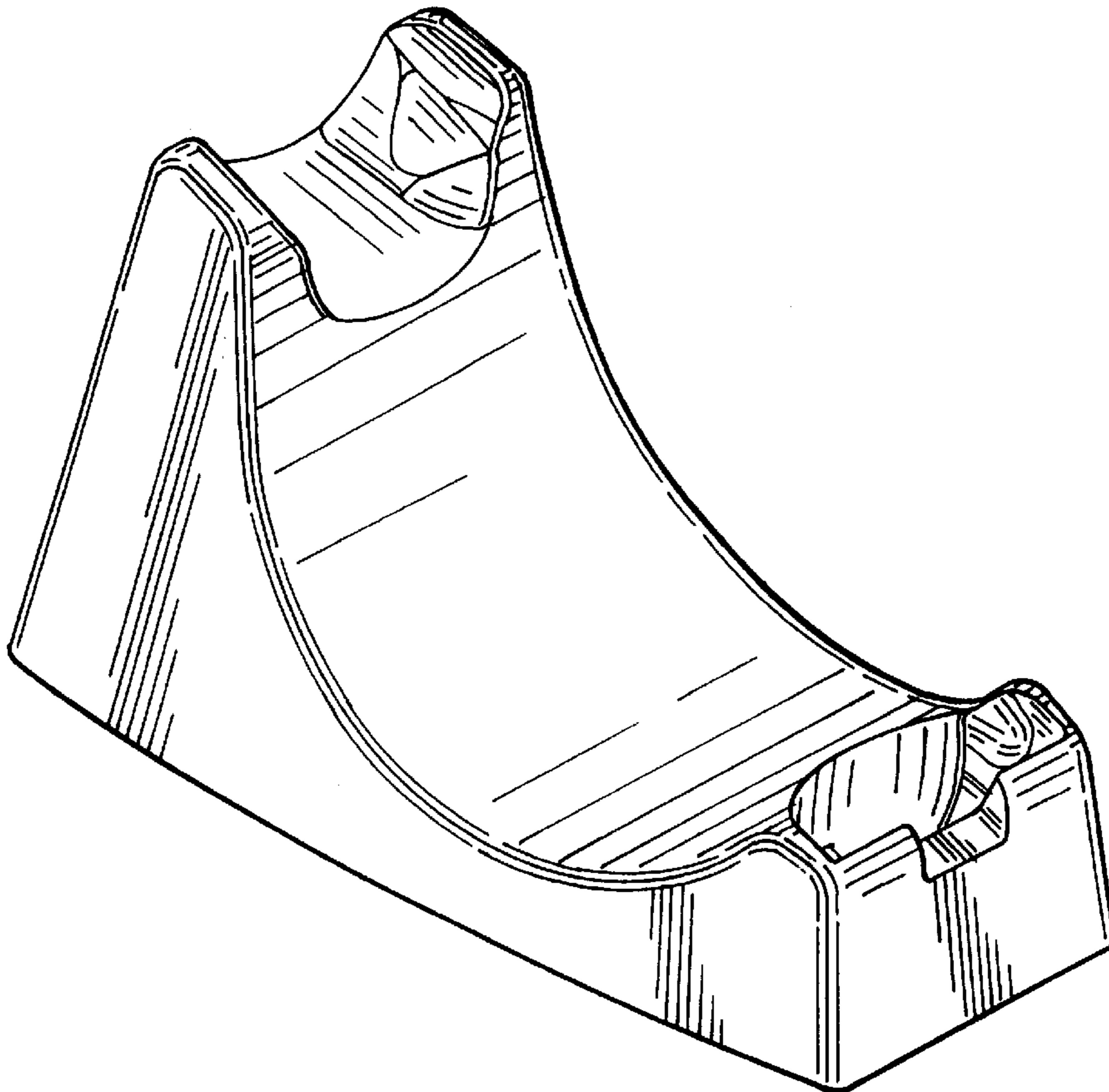


FIG.1

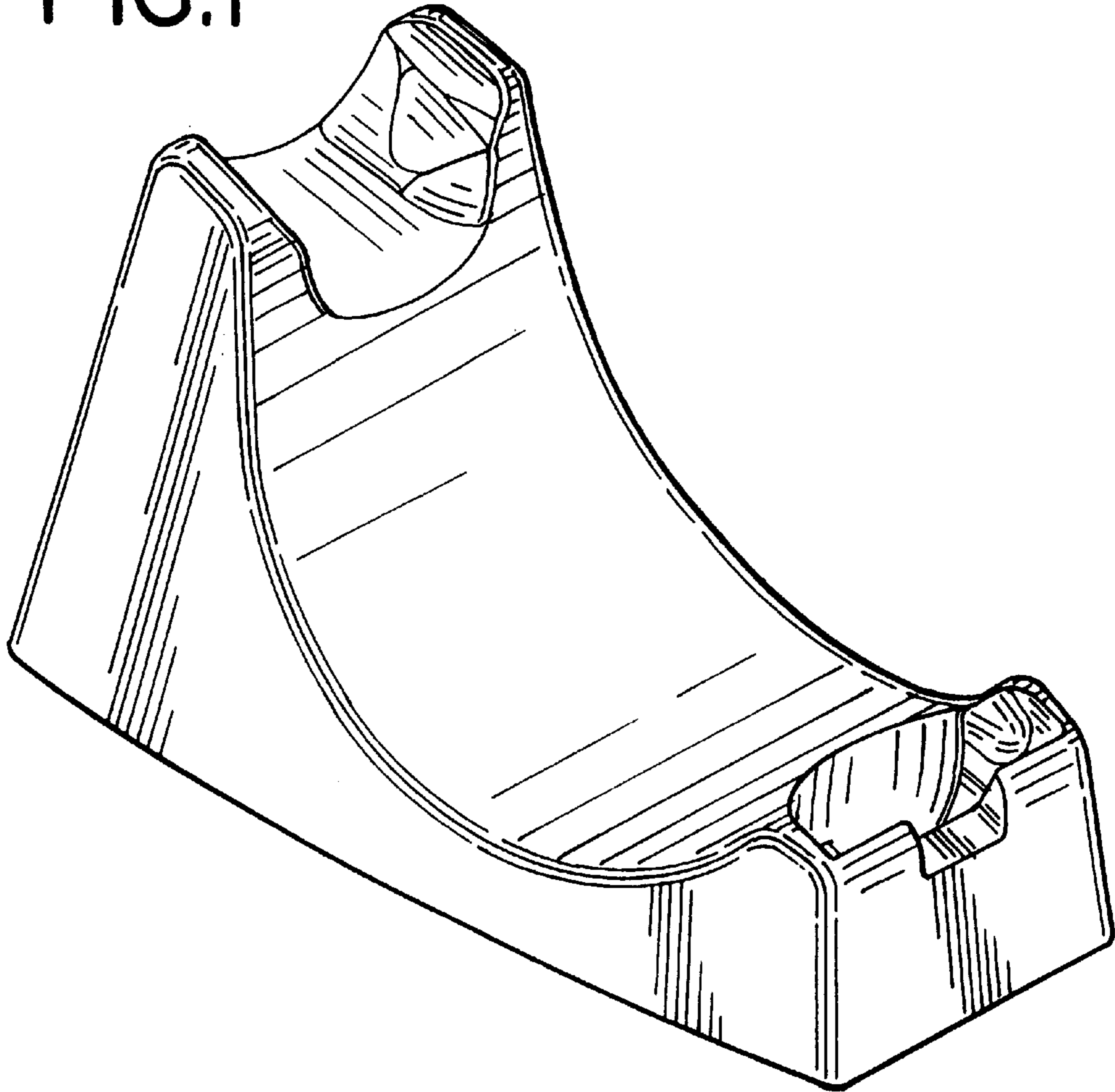


FIG.2

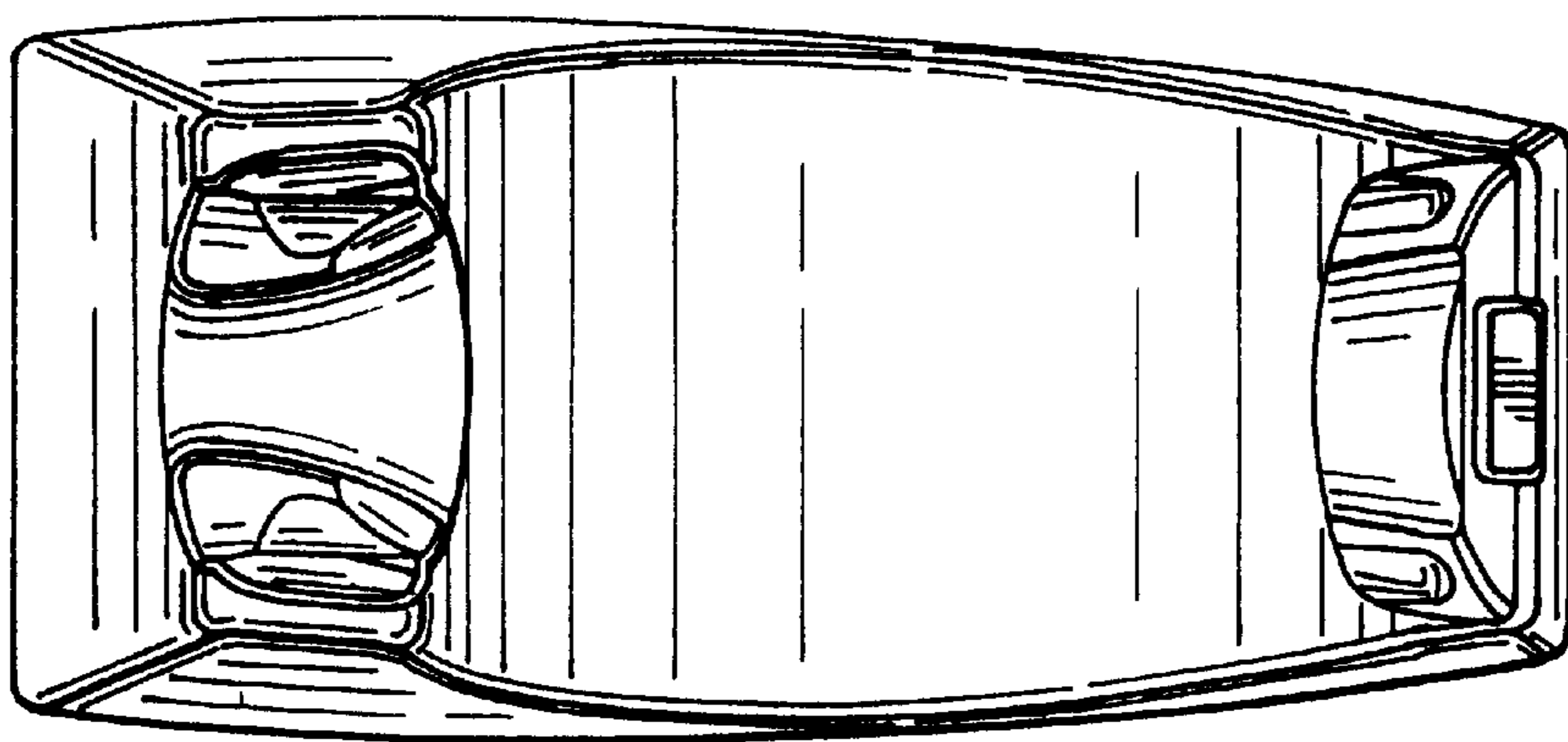


FIG.3

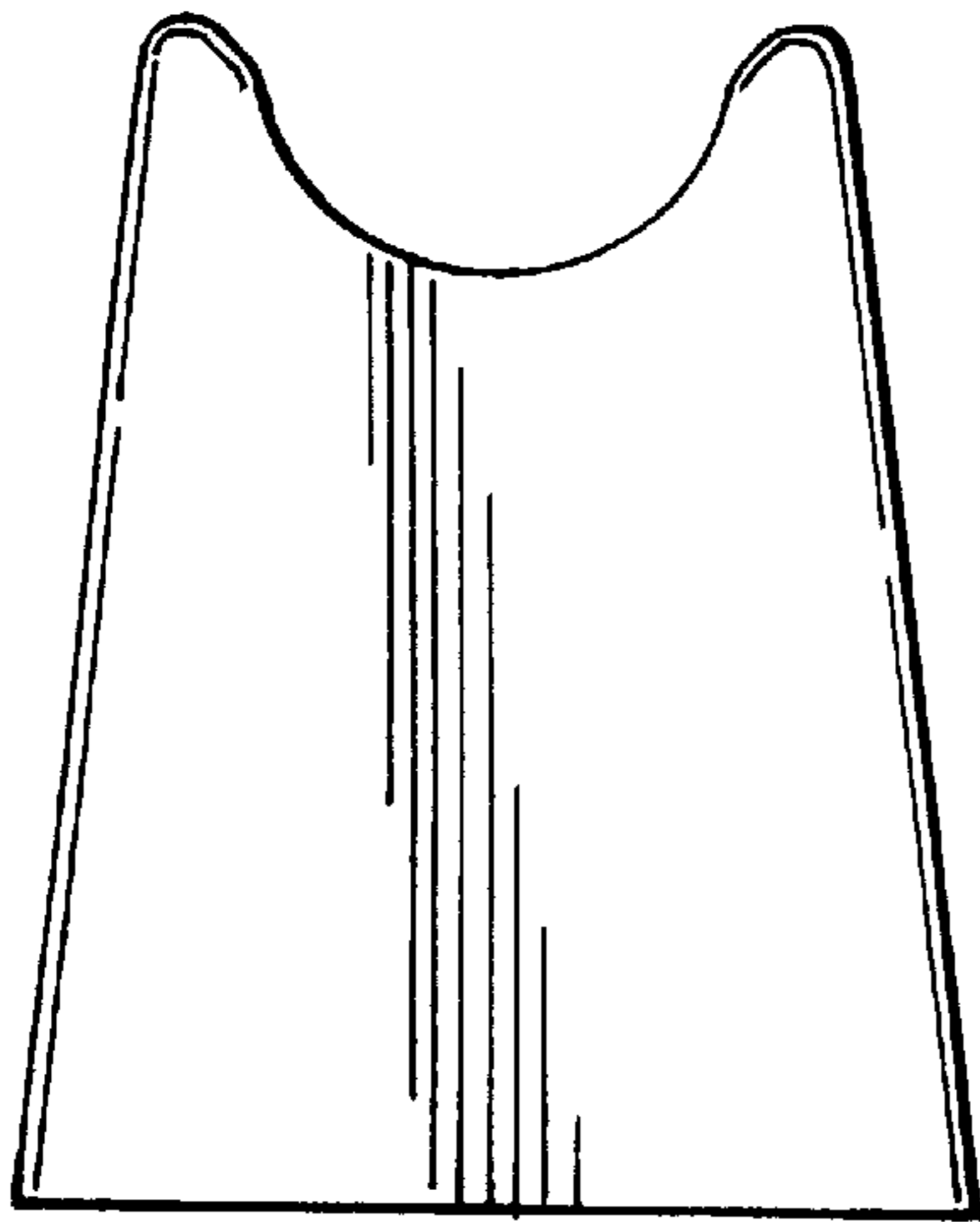


FIG.5

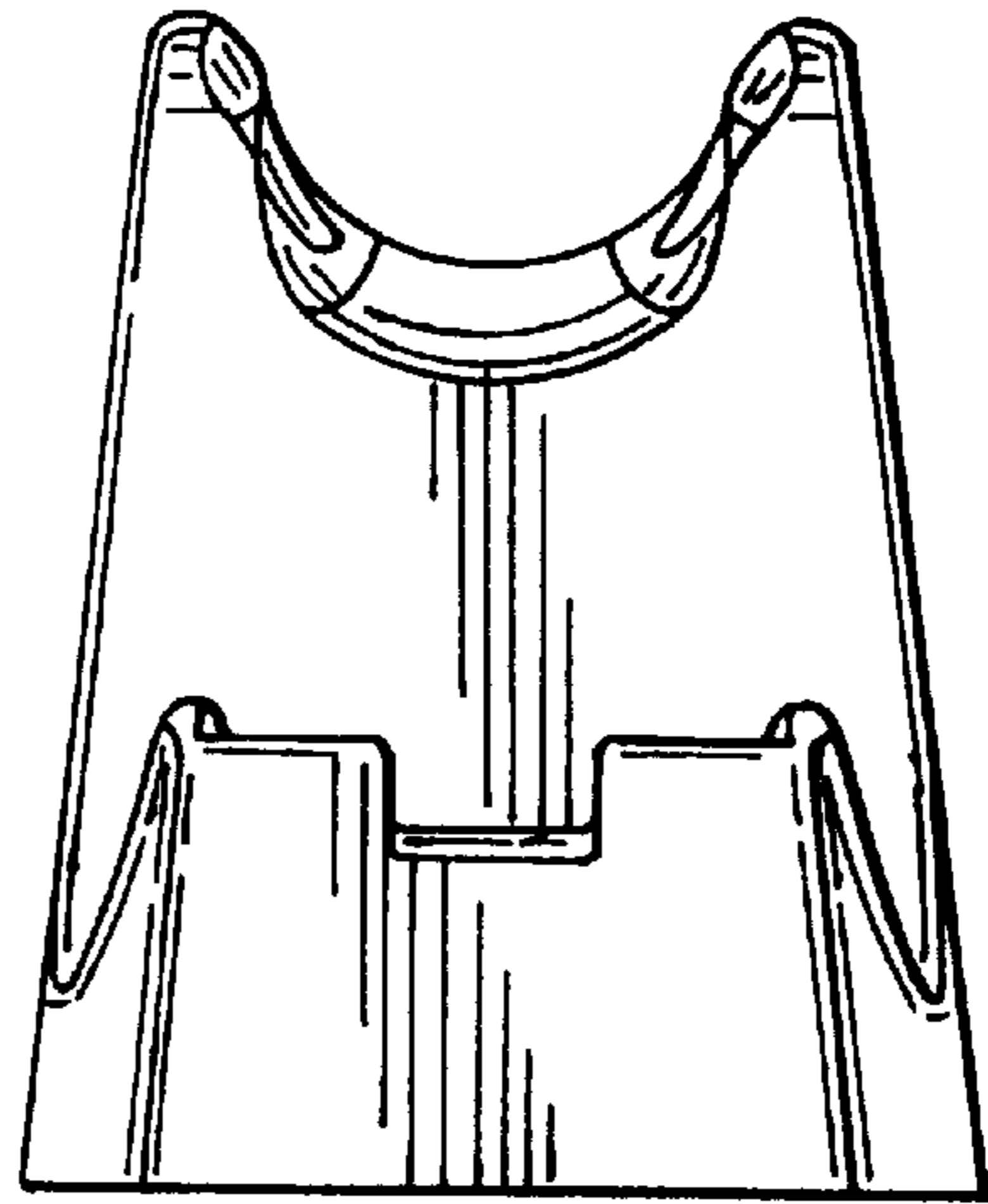


FIG.4

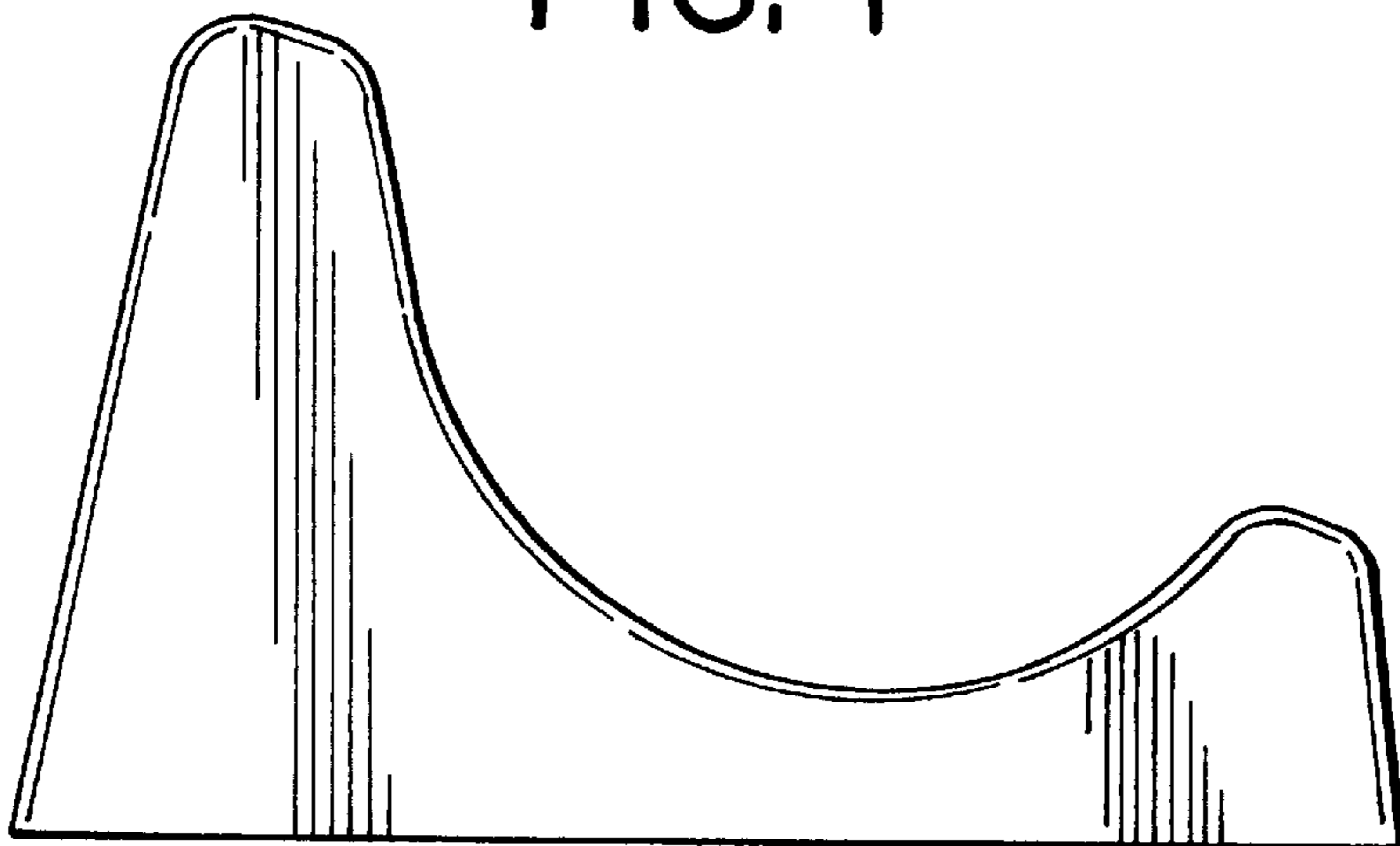


FIG.6

