



US00D435936S

(12) **United States Design Patent**  
**Long et al.**

(10) **Patent No.:** **US D435,936 S**

(45) **Date of Patent:** **\*\* Jan. 2, 2001**

(54) **CLIPPER LID**

(75) Inventors: **Jason Long**, Morrison, IL (US); **Duke Larsen**, Lake Geneva, WI (US)

(73) Assignee: **Wahl Clipper Corporation**, Sterling, IL (US)

(\*\*) Term: **14 Years**

(21) Appl. No.: **29/116,787**

(22) Filed: **Jan. 11, 2000**

(51) **LOC (7) Cl.** ..... **28-03**

(52) **U.S. Cl.** ..... **D28/54**

(58) **Field of Search** ..... D28/49-54; 30/34.05, 30/34.1, 34.2, 44, 45, 196-223

(56) **References Cited**

**U.S. PATENT DOCUMENTS**

D. 166,751	*	5/1952	Ianelli	.....	D28/53
D. 176,925	*	2/1956	Munsch	.....	D28/53
D. 244,640	*	6/1977	Long	.....	D28/51
D. 339,213	*	9/1993	Wahl et al.	.....	D28/54
1,761,550	*	6/1930	Wahl	.....	30/201
2,031,519	*	2/1936	Winans	.....	30/43
2,789,347	*	4/1957	Wahl et al.	.....	30/208

**OTHER PUBLICATIONS**

Modern Plastics Feb. 1956, p. 100: shaver housing labelled "1934".\*

Hong Kong Enterprise Jan. 1998, p. 262: items indicated by arrows, Feb. 1956.\*

\* cited by examiner

*Primary Examiner*—Catherine Tuttle

(74) *Attorney, Agent, or Firm*—Greer, Burns & Crain, Ltd.

(57) **CLAIM**

The ornamental design for a clipper lid, as shown and described.

**DESCRIPTION**

FIG. 1 is a top perspective view of the present new design of a clipper lid;

FIG. 2 is a top plan view of the present clipper lid of FIG. 1;

FIG. 3 is a side view of the present clipper lid of FIG. 1, the opposite side being a mirror image of the side shown;

FIG. 4 is a bottom view of the present clipper lid of FIG. 1;

FIG. 5 is a front view of the present clipper lid of FIG. 1;

FIG. 6 is a rear view of the present clipper lid of FIG. 1;

FIG. 7 is a top perspective view of the clipper lid as shown in FIG. 1, shown attached to a clipper for illustrative purposes;

FIG. 8 is a top plan view thereof;

FIG. 9 is a side view of FIG. 7 shown attached to a clipper for illustrative purposes, the opposite side being a mirror image of the side shown;

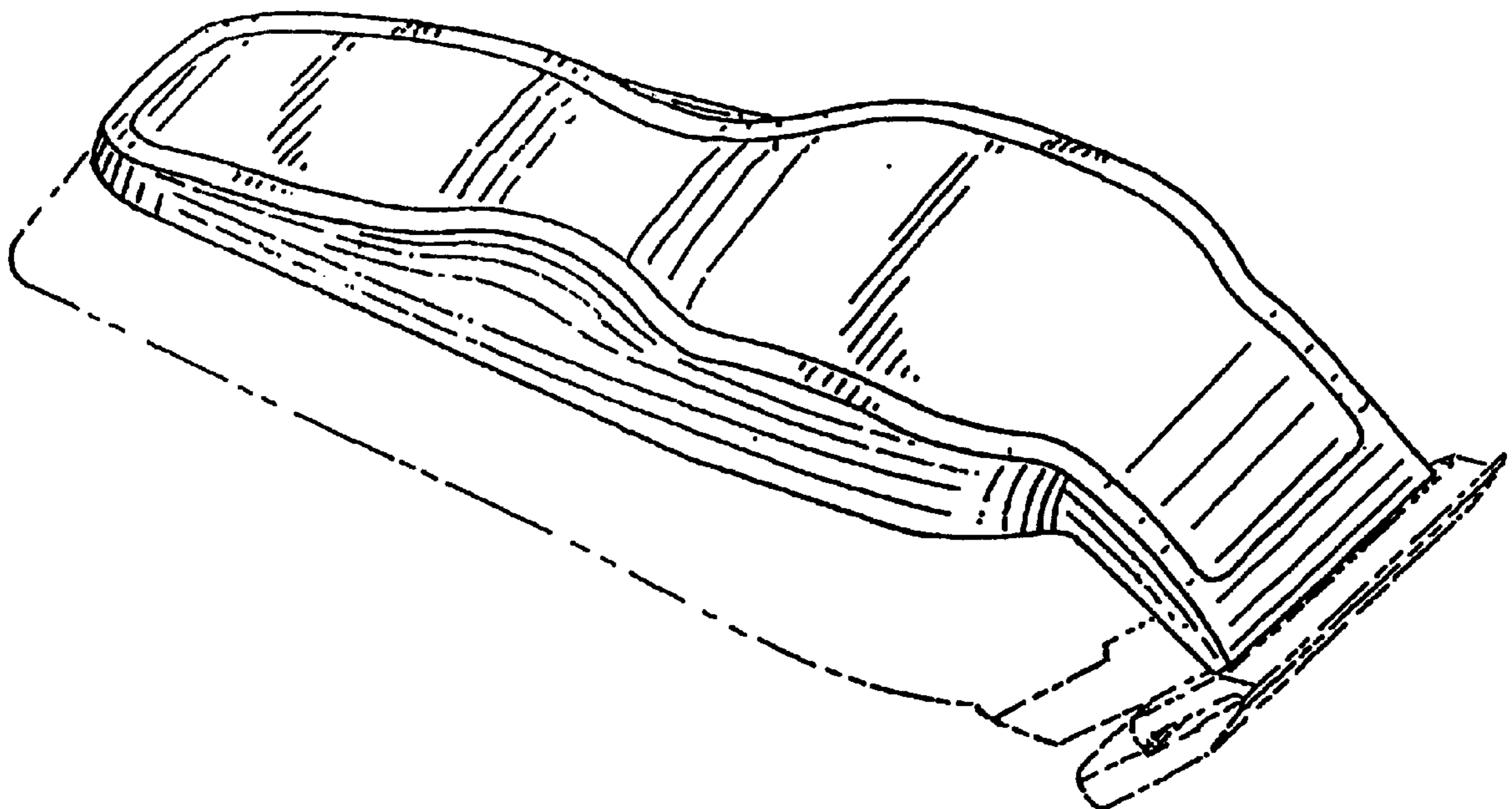
FIG. 10 is a bottom view of FIG. 7;

FIG. 11 is a front view of FIG. 7; and,

FIG. 12 is a rear view thereof.

The broken lines showing the clipper are for illustrative purposes only and form no part of the claimed design.

**1 Claim, 4 Drawing Sheets**



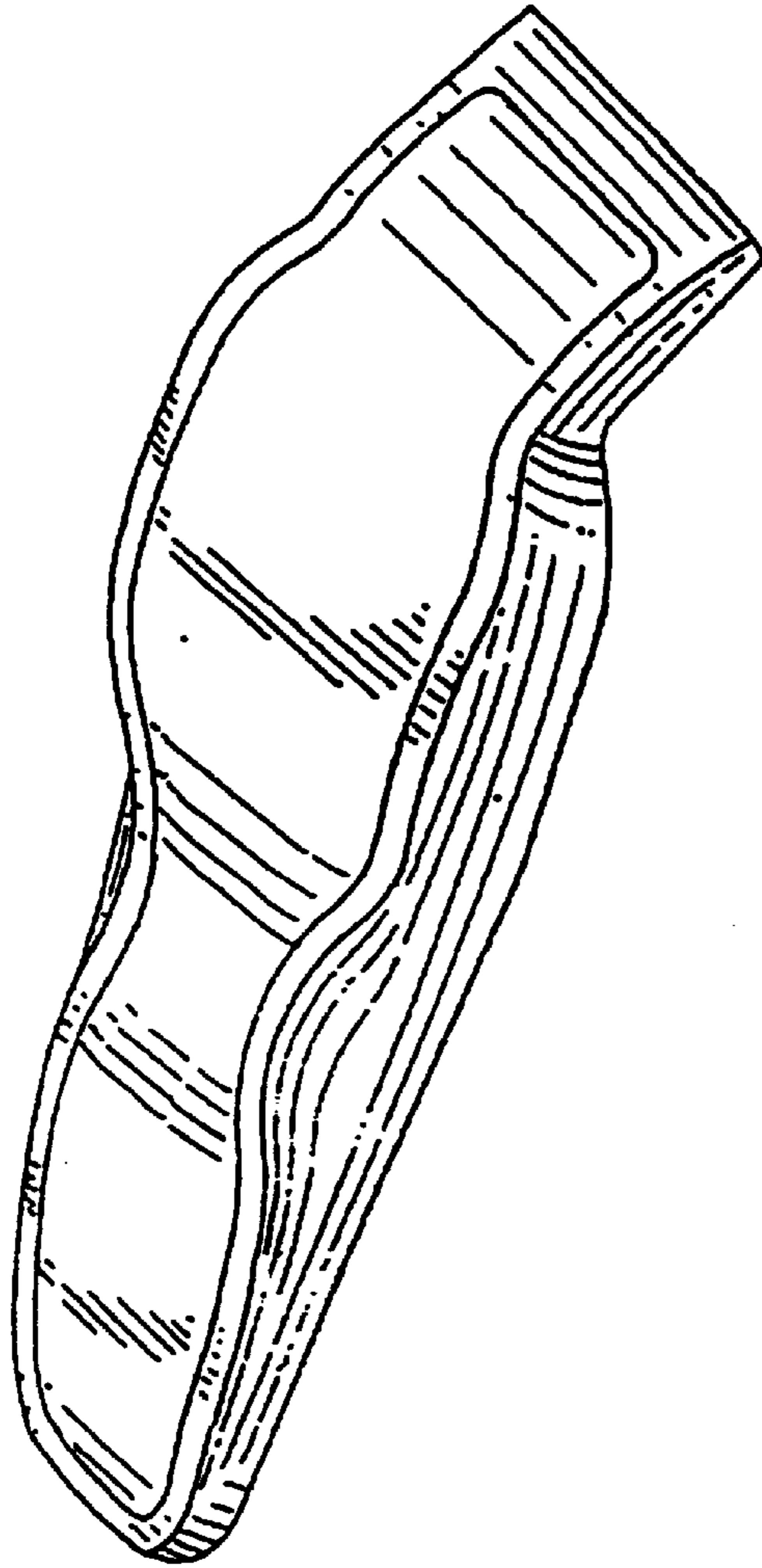


FIG. 1

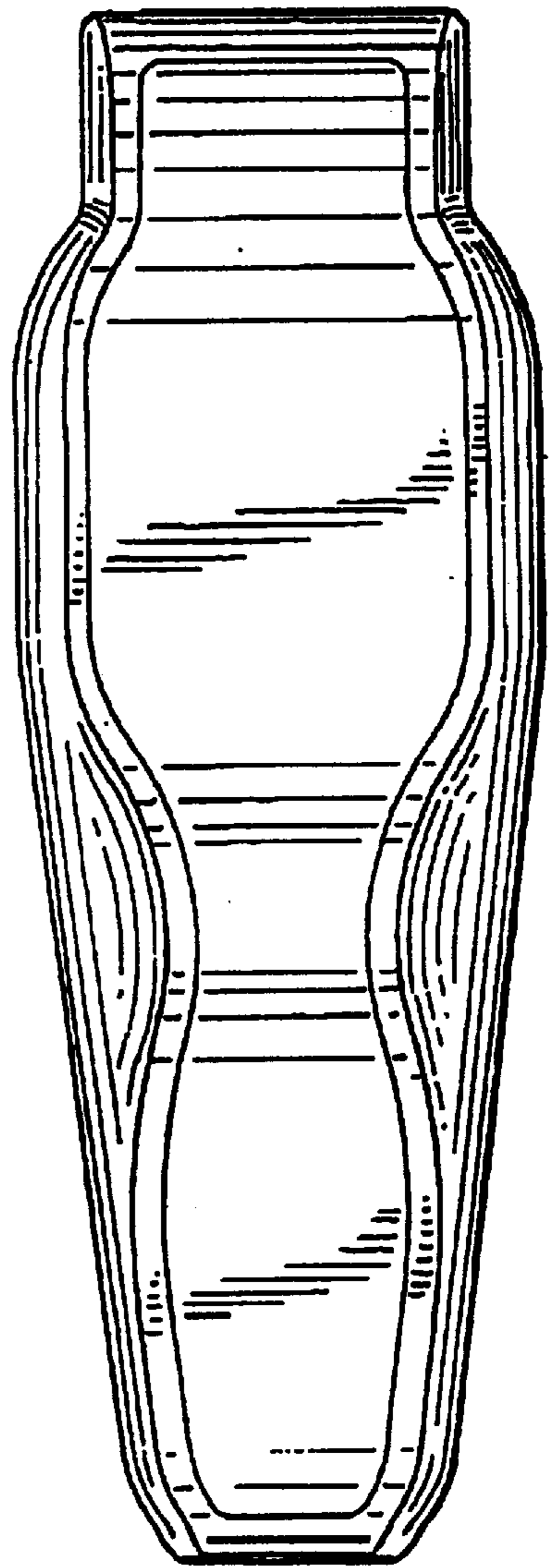


FIG. 2

FIG. 5

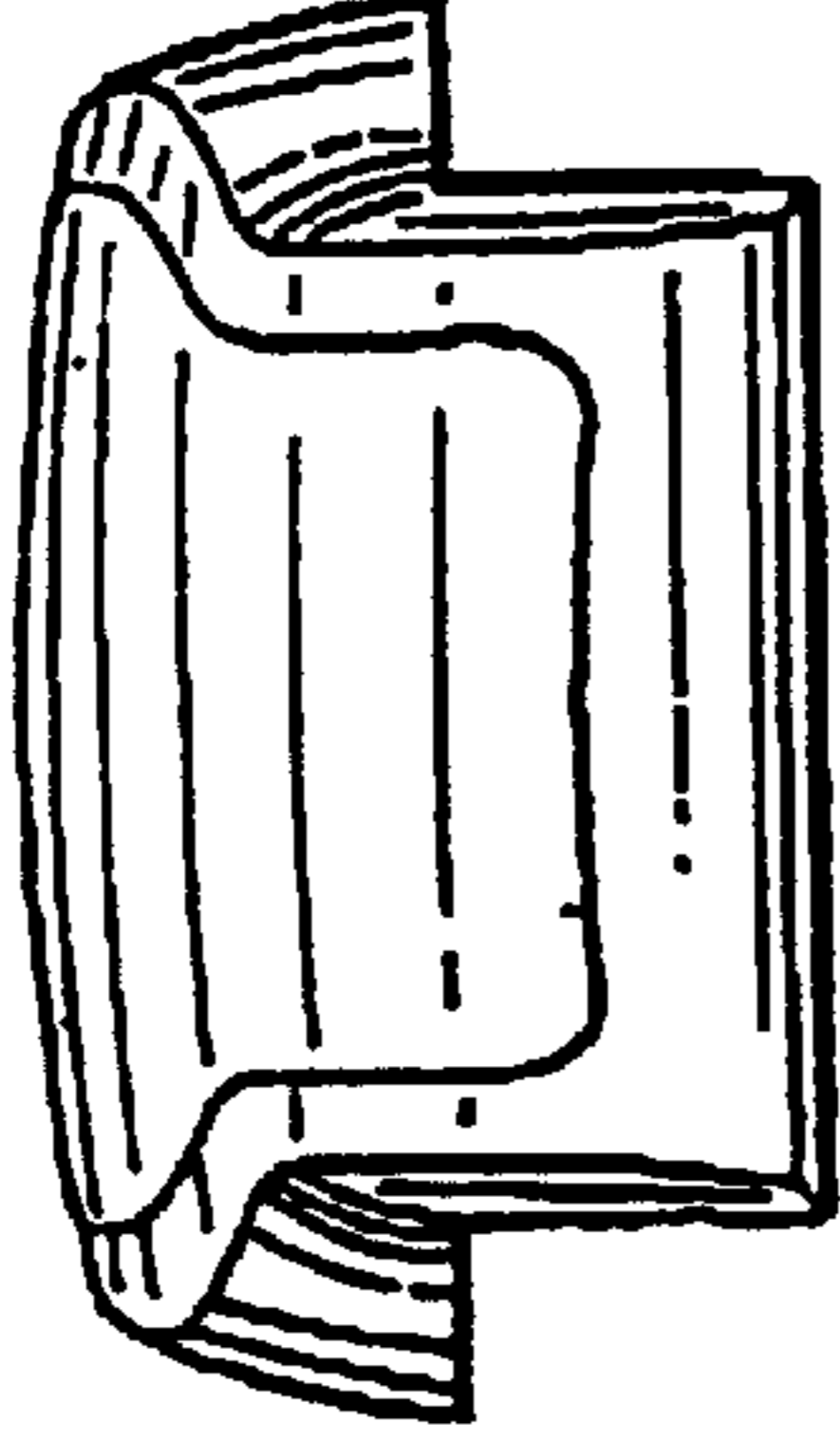


FIG. 6

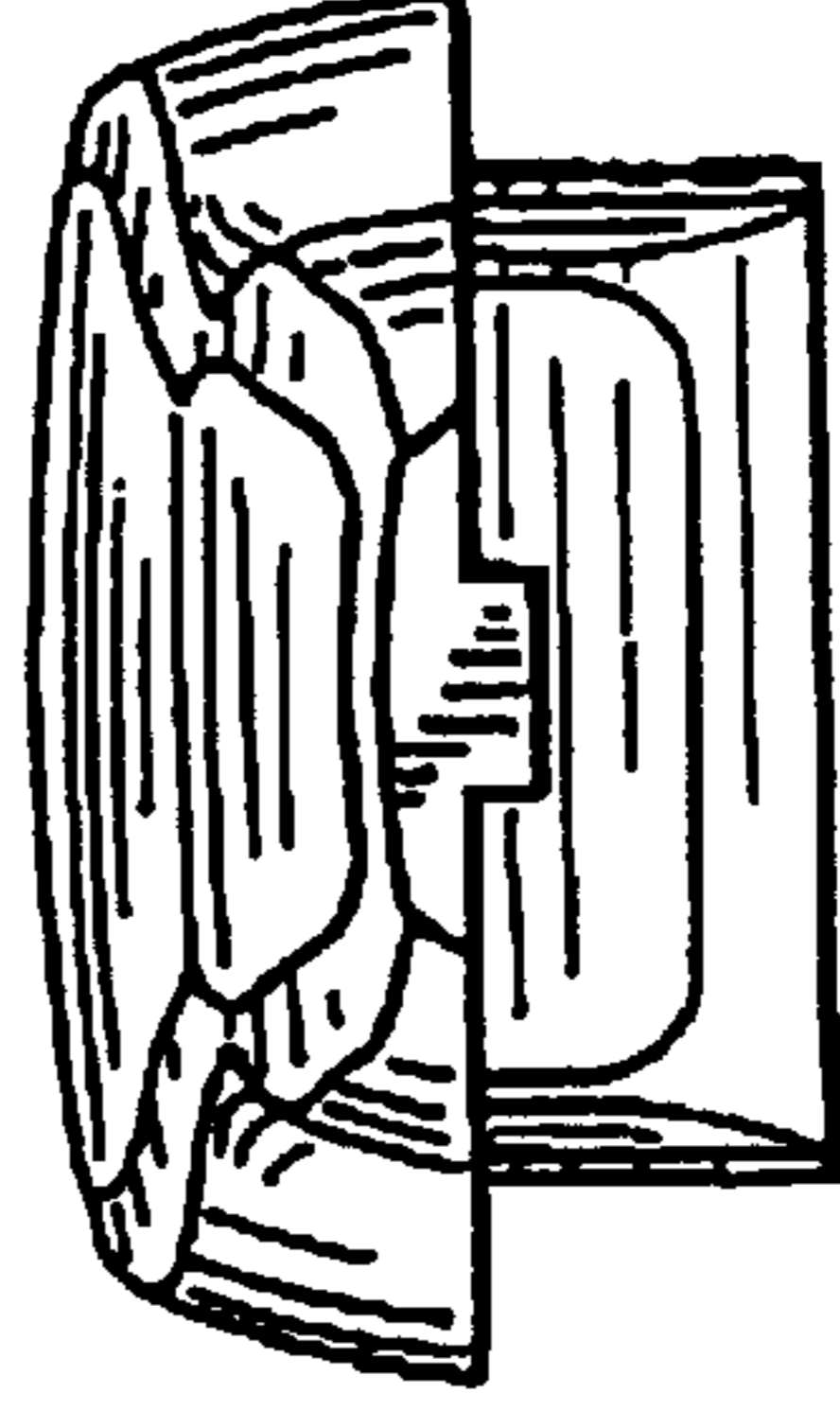
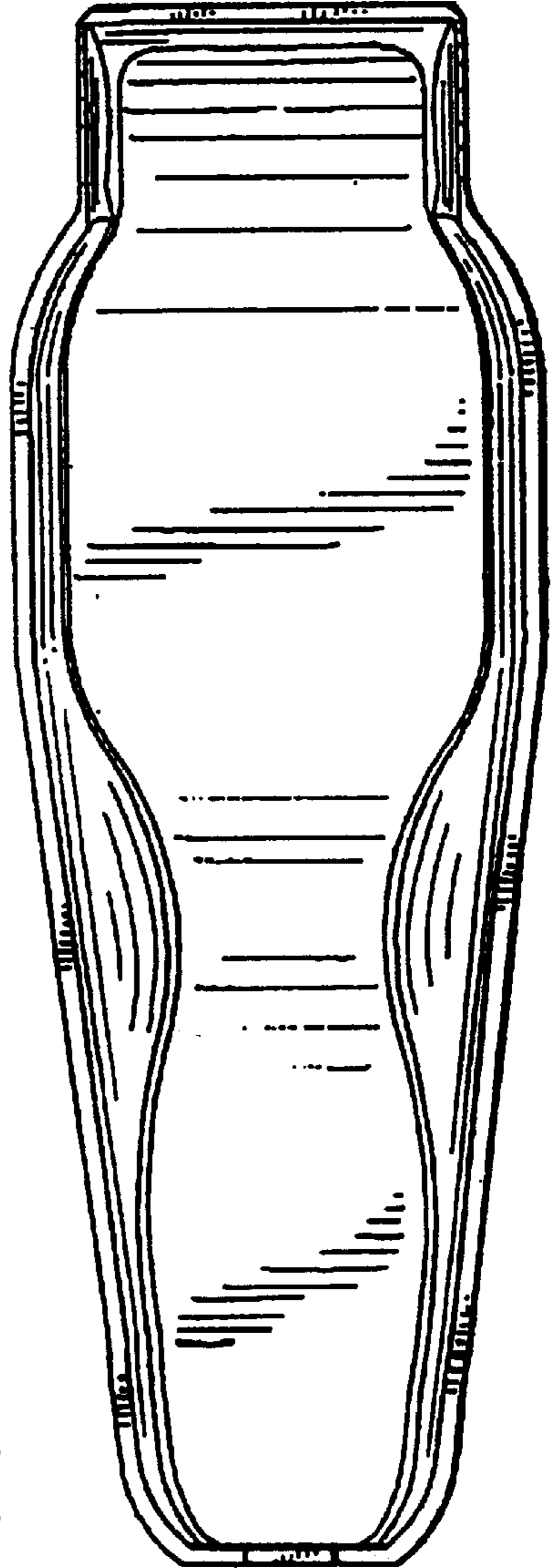


FIG. 3



FIG. 4



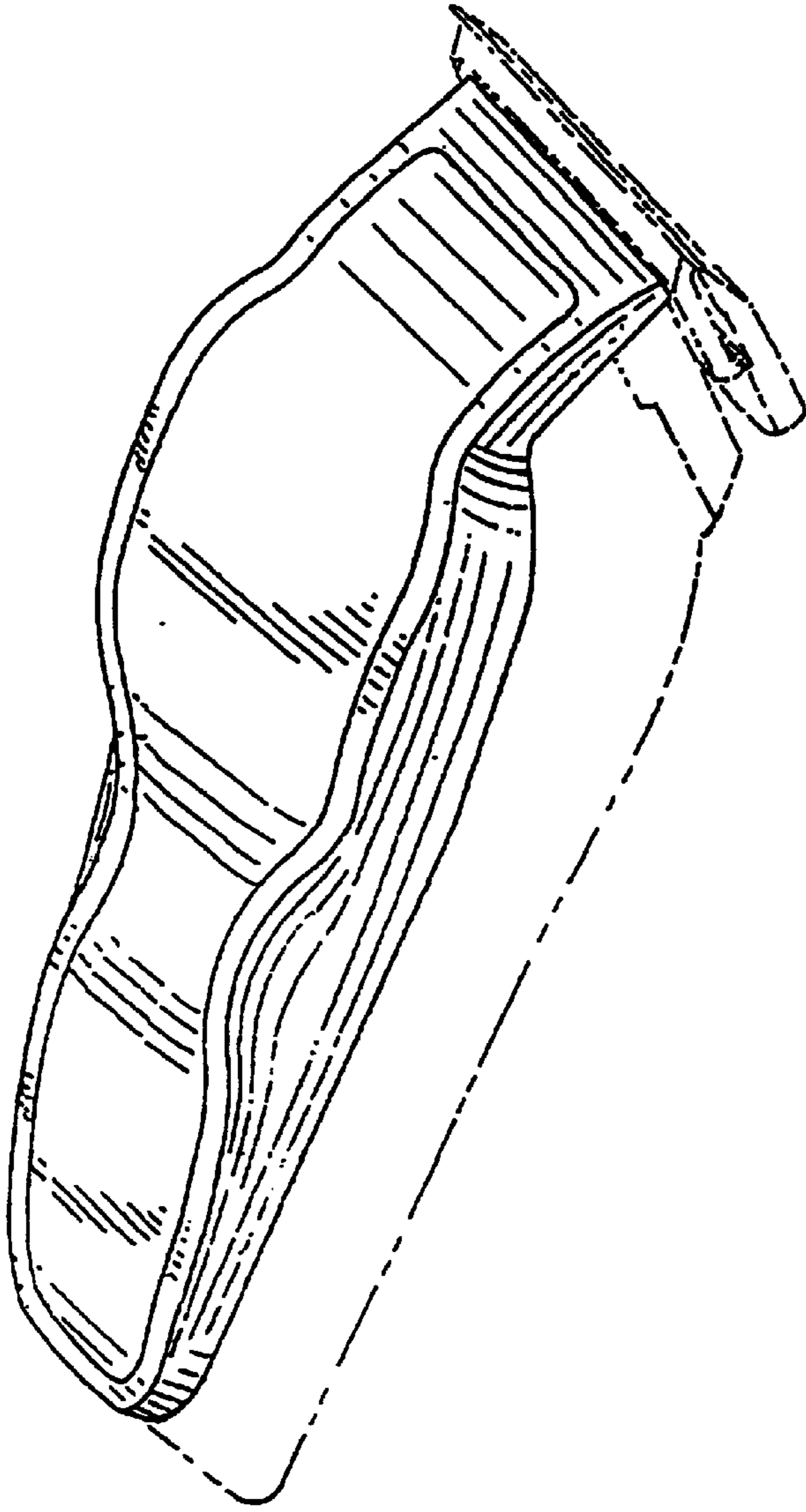


FIG. 7

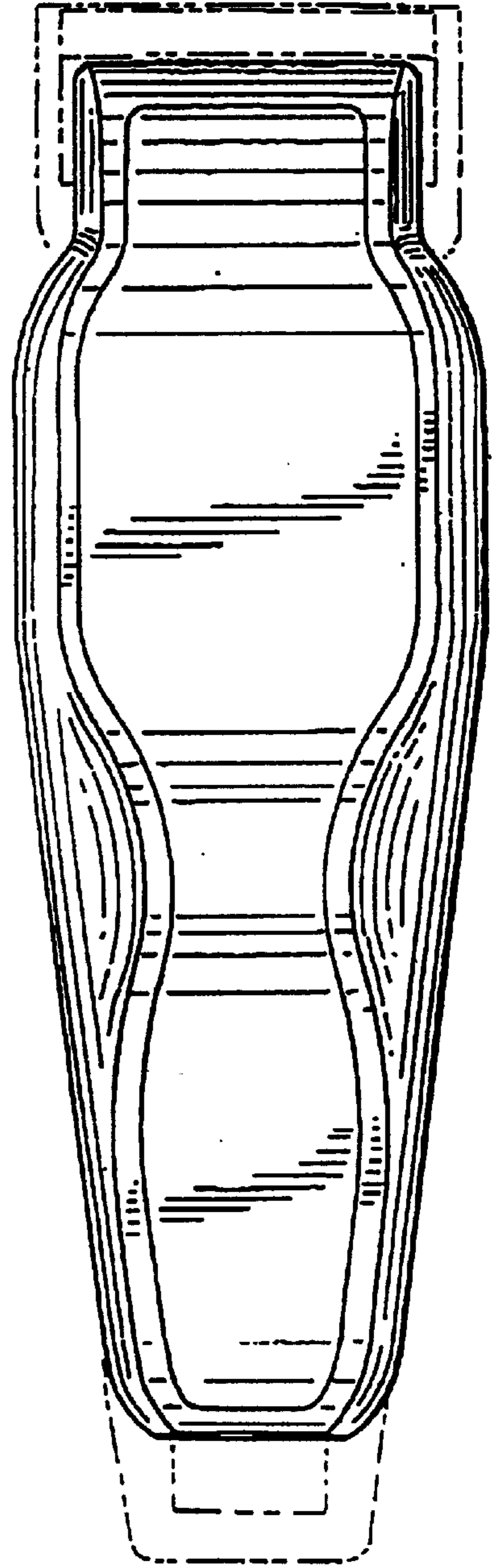


FIG. 8

FIG. 11

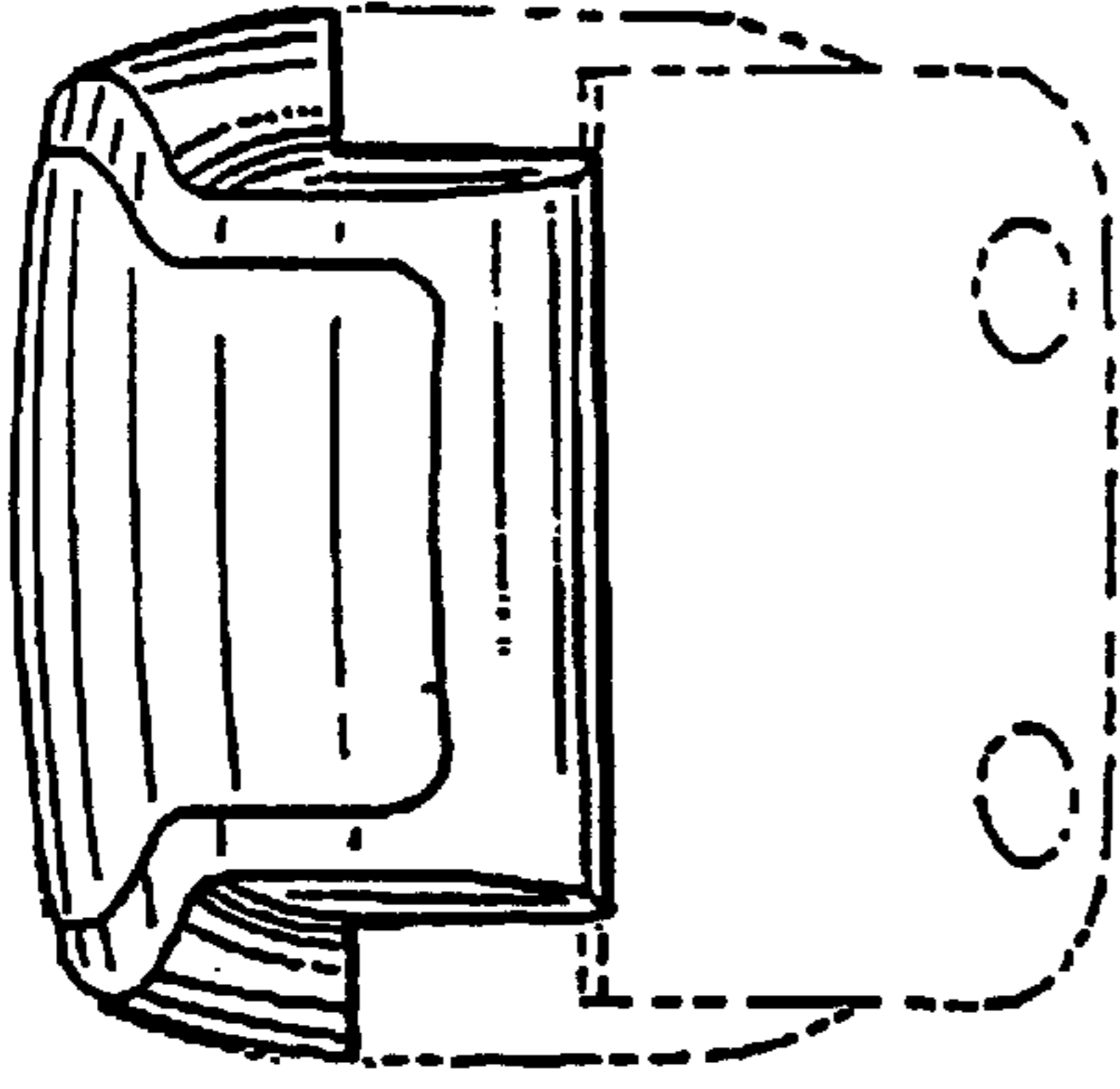


FIG. 12

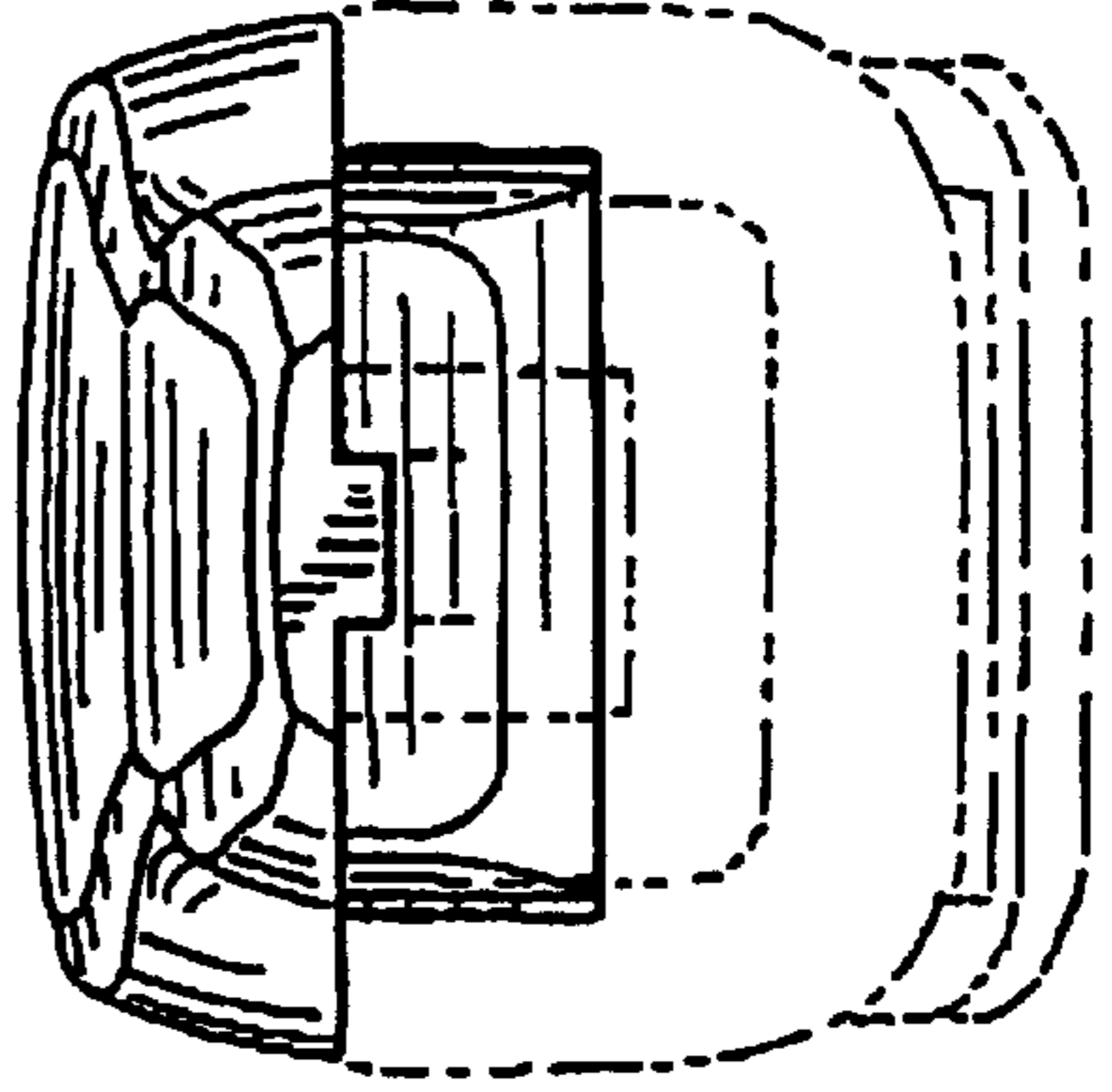


FIG. 9

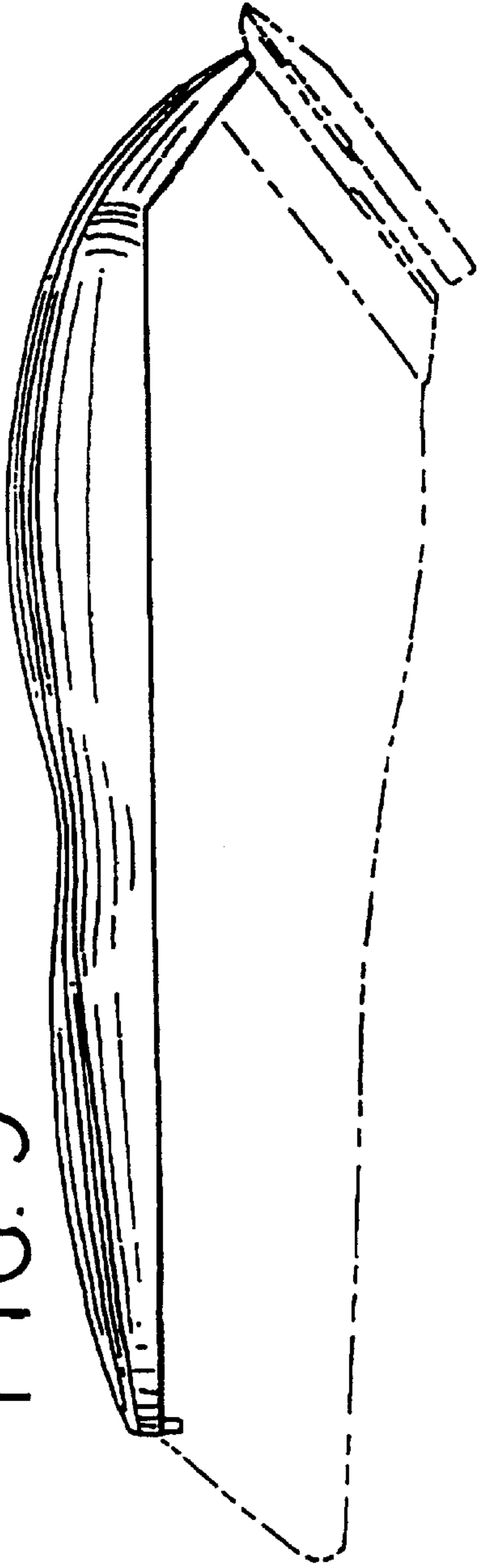


FIG. 10

