



US00D435935S

(12) **United States Design Patent**  
**Nobile et al.**

(10) **Patent No.:** **US D435,935 S**  
(45) **Date of Patent:** **\*\* Jan. 2, 2001**

(54) **RAZOR BLADE HOLDER**

3,751,806 \* 8/1973 Patrick ..... 30/294  
5,509,205 \* 4/1996 Ragland, III ..... 30/335 X  
5,673,711 \* 10/1997 Andrews ..... 30/30 X

(76) Inventors: **John R. Nobile**, 65 Forest Ave.,  
Fairfield, CT (US) 06430; **Russell**  
**Pribanic**, 120 Mountain View Dr., New  
Milford, CT (US) 06776

\* cited by examiner

(\*\*) Term: **14 Years**

*Primary Examiner*—Catherine Tuttle  
(74) *Attorney, Agent, or Firm*—Fattibene & Fattibene;  
Arthur T. Fattibene; Paul A. Fattibene

(21) Appl. No.: **29/123,131**

(57) **CLAIM**

(22) Filed: **May 11, 2000**

The ornamental design for a razor blade holder, as shown  
and described.

(51) **LOC (7) Cl.** ..... **28-03**

**DESCRIPTION**

(52) **U.S. Cl.** ..... **D28/48; D28/54; D8/98**

(58) **Field of Search** ..... D28/44, 45, 46,  
D28/48, 52, 54, 21, 25, 31, 34; D8/98,  
99, 101, 102; D32/40, 46-48, 52; 30/30-32,  
53, 54, 62-64, 68-73, 77-79, 526, 532,  
541, 329, 334, 335, 339; 132/149, 150

FIG. 1 is a perspective view of a razor blade holder showing  
my new design with a blade cover attached;  
FIG. 2 is a perspective view thereof without a blade cover  
attached;  
FIG. 3 is a side elevational view thereof;  
FIG. 4 is a top plan view thereof;  
FIG. 5 is a bottom plan view thereof;  
FIG. 6 is a rear elevational view thereof; and,  
FIG. 7 is a front elevational view thereof.

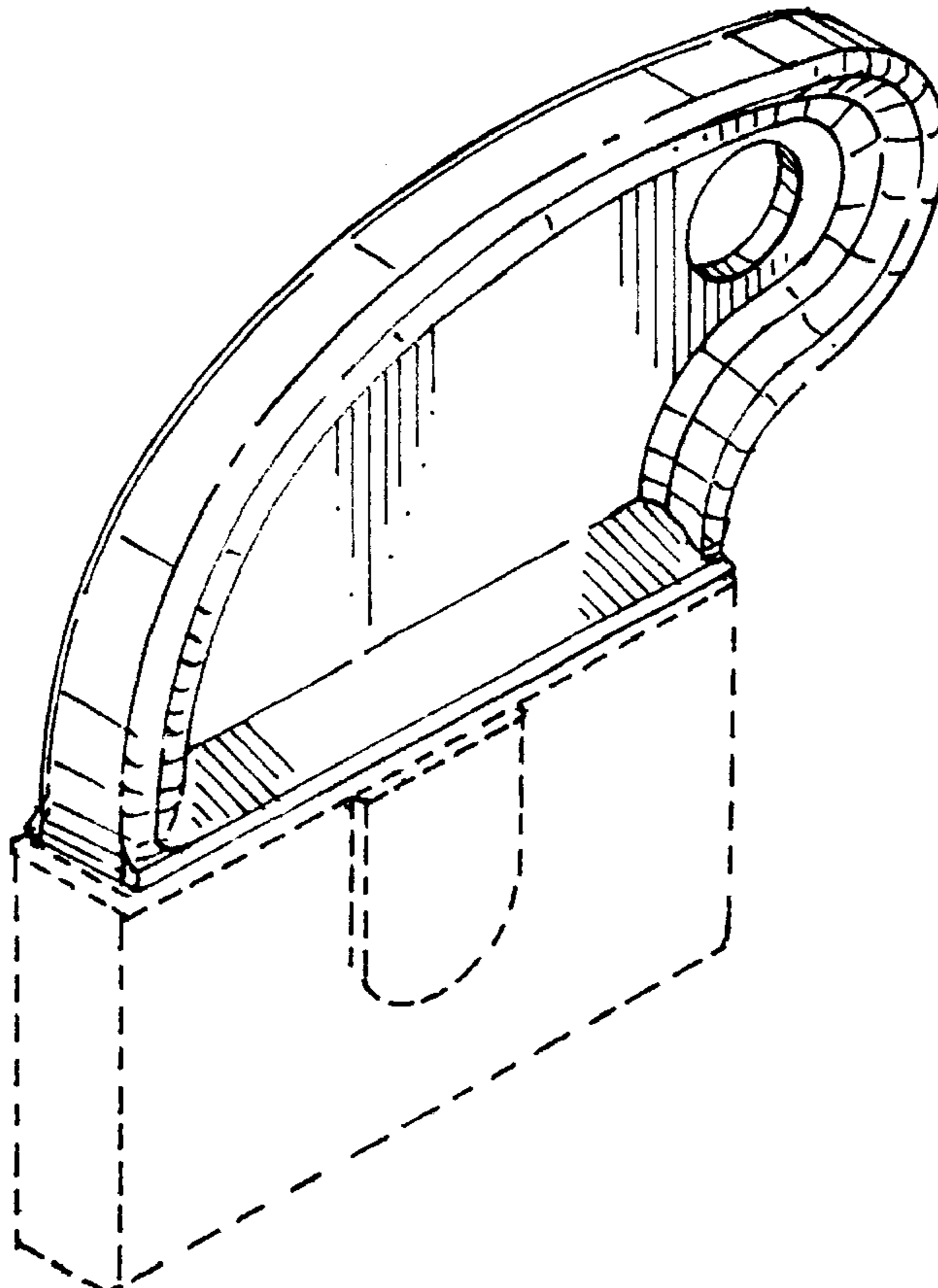
(56) **References Cited**

**U.S. PATENT DOCUMENTS**

D. 57,636 \* 4/1921 Gits ..... D8/99  
D. 230,656 \* 3/1974 Hafler ..... D28/25  
D. 238,519 \* 1/1976 Nagelkerke ..... D28/52  
D. 255,981 \* 7/1980 Carbo ..... D8/98  
D. 269,154 \* 5/1983 Freedman ..... D8/98  
D. 274,658 \* 7/1984 Saferstein ..... D28/34

The broken line showing of the razor blade and blade cover  
is for illustrative purposes only and forms no part of the  
claimed design.

**1 Claim, 1 Drawing Sheet**



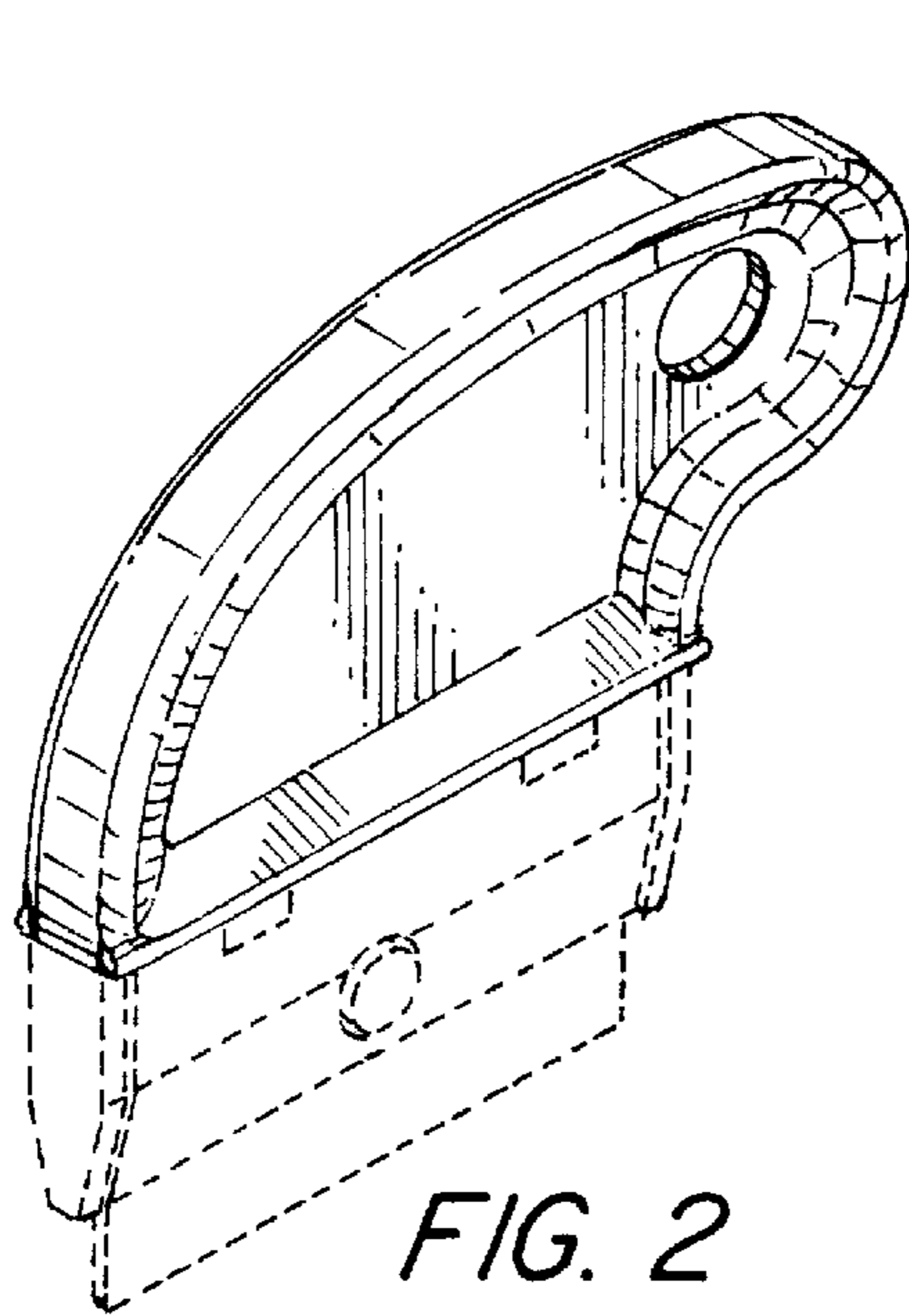


FIG. 2

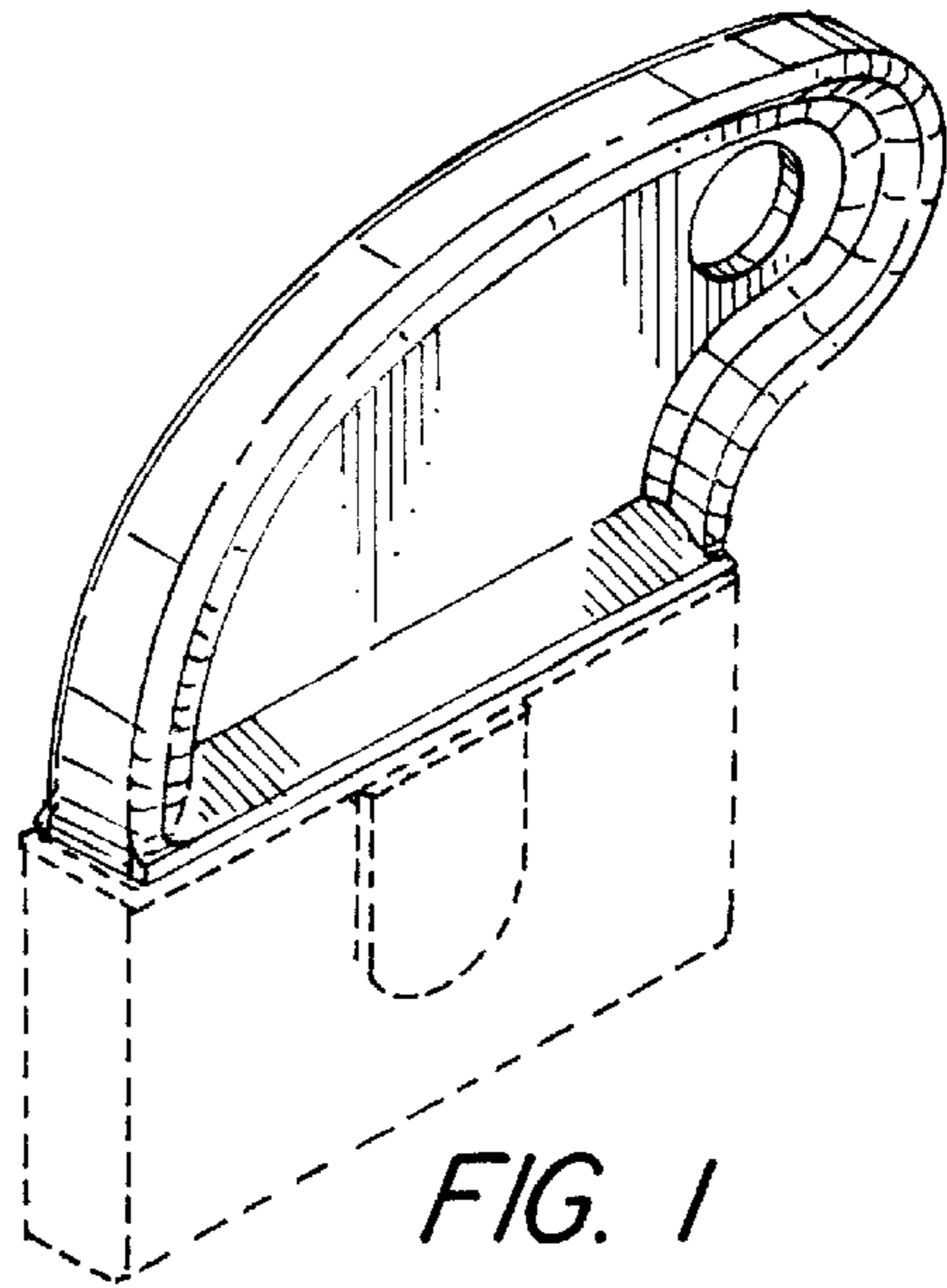


FIG. 1

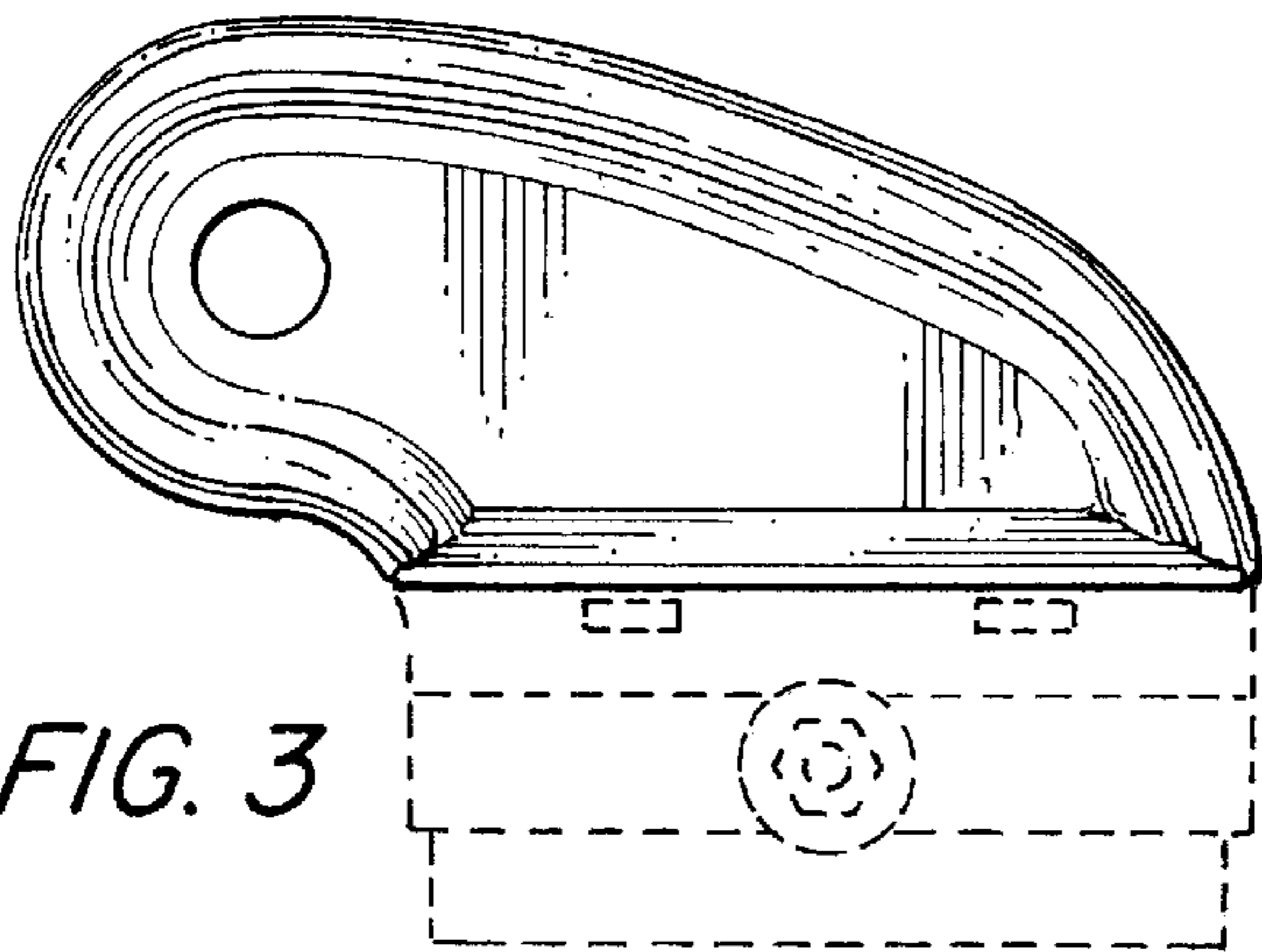


FIG. 3



FIG. 6

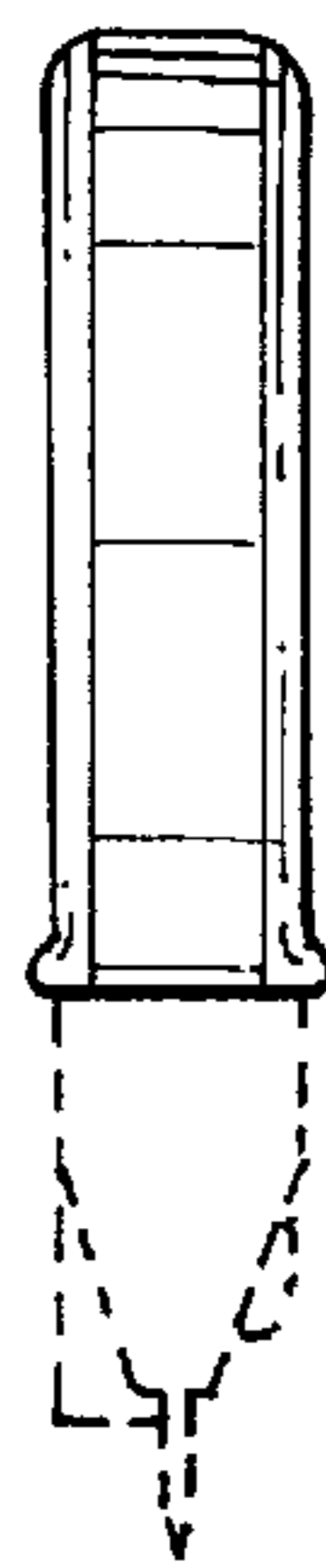


FIG. 7

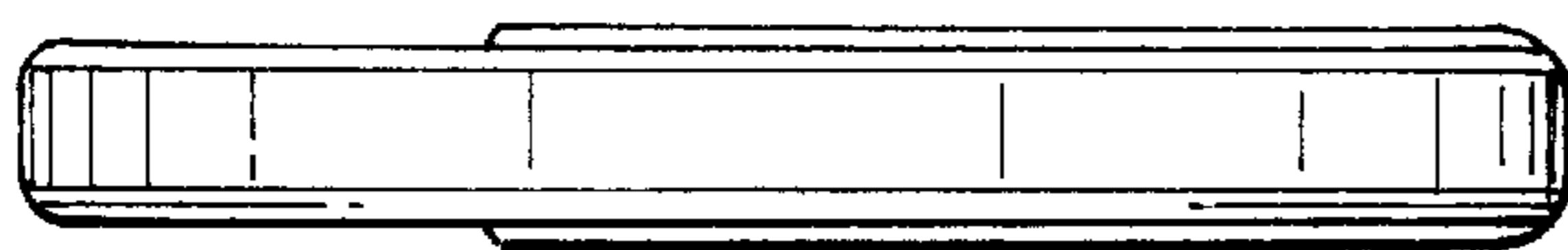


FIG. 4

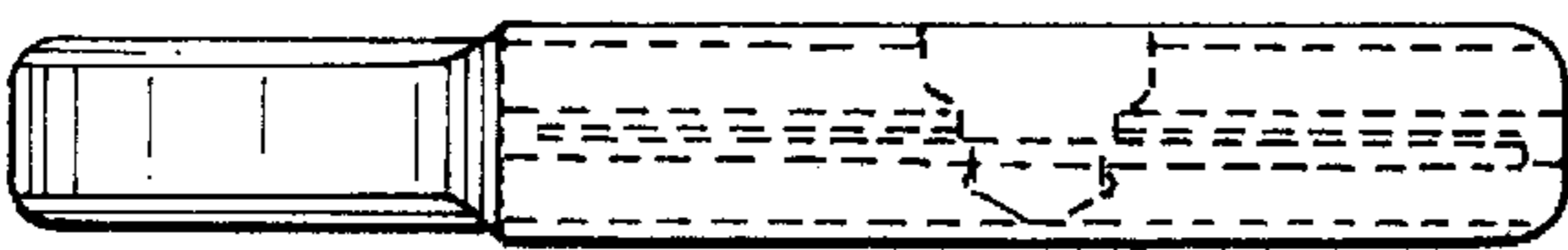


FIG. 5