



US00D435934S

(12) **United States Design Patent**  
**Dare**

(10) **Patent No.:** **US D435,934 S**

(45) **Date of Patent:** **\*\* Jan. 2, 2001**

(54) **HAIR DRESSING CUTTING TOOL**

(76) Inventor: **Paul Anthony Dare**, 272 Unley Road,  
Hyde Park, South Australia (AU)

(\*\*) Term: **14 Years**

(21) Appl. No.: **29/106,136**

(22) Filed: **Jun. 9, 1999**

(30) **Foreign Application Priority Data**

Dec. 8, 1998 (AU) ..... 3886/98

(51) **LOC (7) Cl.** ..... **28-03**

(52) **U.S. Cl.** ..... **D28/44; D28/10; D8/107**

(58) **Field of Search** ..... D28/7, 9, 10, 20,  
D28/99; D8/14, 29.2, 45, 47, 88, 89, 50,  
54, 98, 107, DIG. 7; D32/40, 42, 46-48,  
49, 52; 132/212, 213, 333, 200, 207; 30/30-32,  
51-53, 526, 167-169, 329, 340, 342; 15/236.01

(56) **References Cited**

**U.S. PATENT DOCUMENTS**

- D. 260,188 \* 8/1981 Boykin, Jr. .... D28/10
- D. 279,254 \* 6/1985 Smith et al. .... D8/107
- D. 369,658 \* 5/1996 Holt ..... D24/147

- 404,554 \* 6/1889 Palmer ..... 30/167
- 1,338,507 \* 4/1920 James ..... 30/30
- 2,797,294 \* 6/1957 Cox ..... 30/169 X
- 4,037,322 \* 7/1977 Bresler ..... 30/53
- 4,617,736 \* 10/1986 McCrary ..... 30/169

\* cited by examiner

*Primary Examiner*—Catherine Tuttle

(74) *Attorney, Agent, or Firm*—Brown, Martin, Haller &  
McClain, LLP

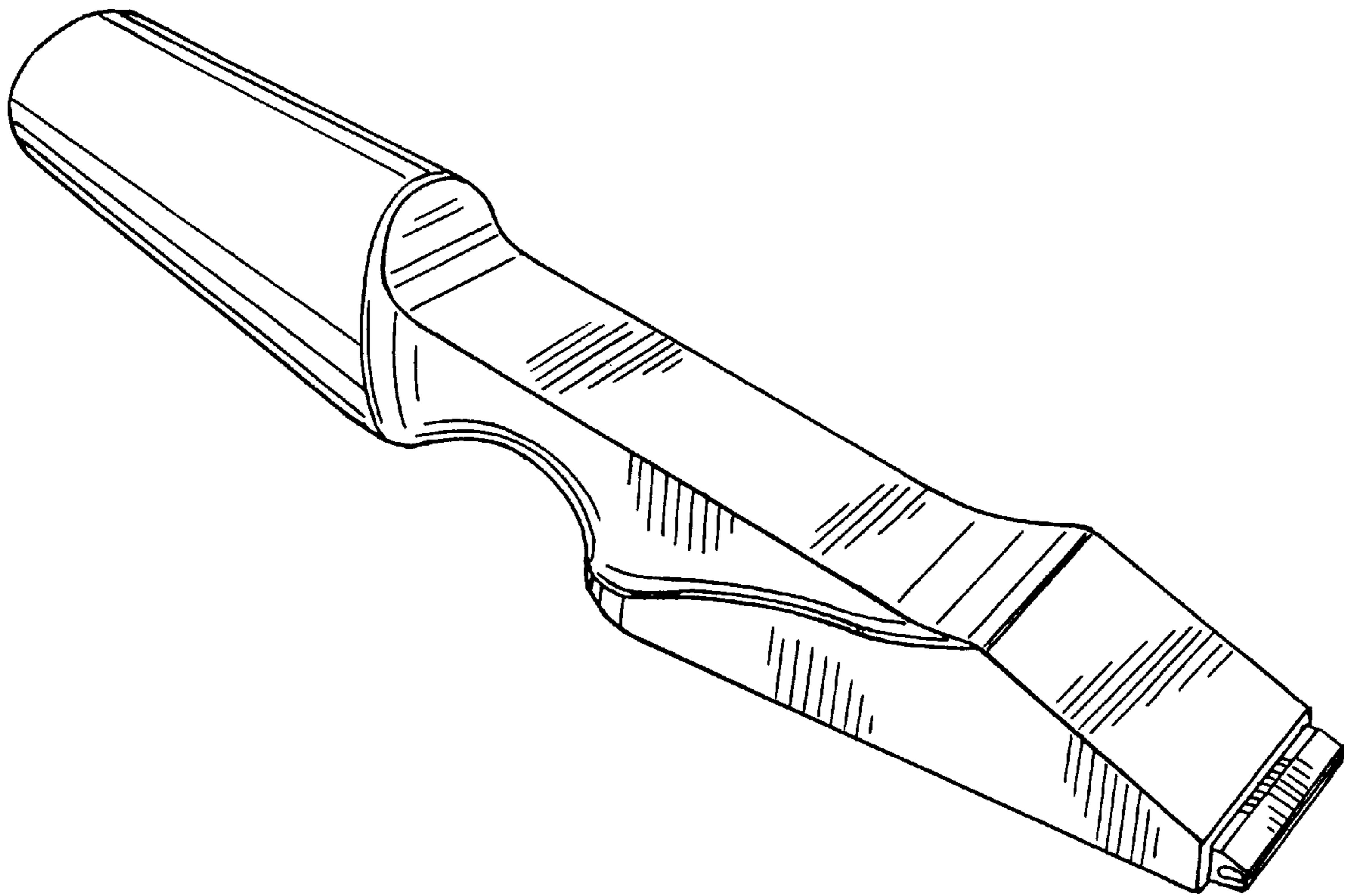
(57) **CLAIM**

The ornamental design for a hair dressing cutting tool,  
substantially as shown and described.

**DESCRIPTION**

FIG. 1 is a top perspective view of a hair dressing cutting tool made according to the present invention;  
 FIG. 2 is an underside perspective view thereof;  
 FIG. 3 is an underside plan view thereof;  
 FIG. 4 is a front end view thereof;  
 FIG. 5 is an inverted side elevational view thereof;  
 FIG. 6 is a top plan view thereof; and,  
 FIG. 7 is a rear end elevational view thereof.

**1 Claim, 2 Drawing Sheets**



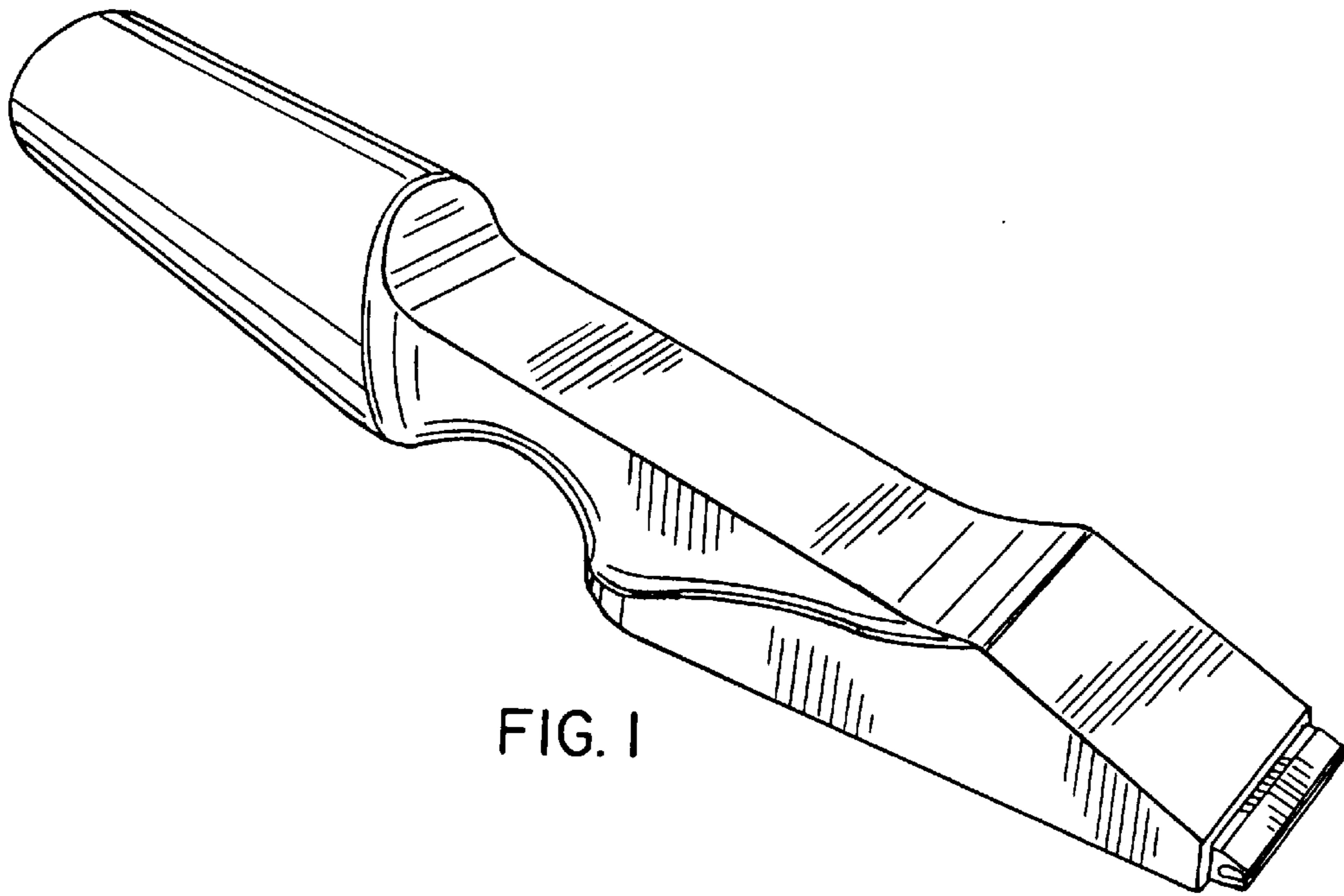


FIG. 1

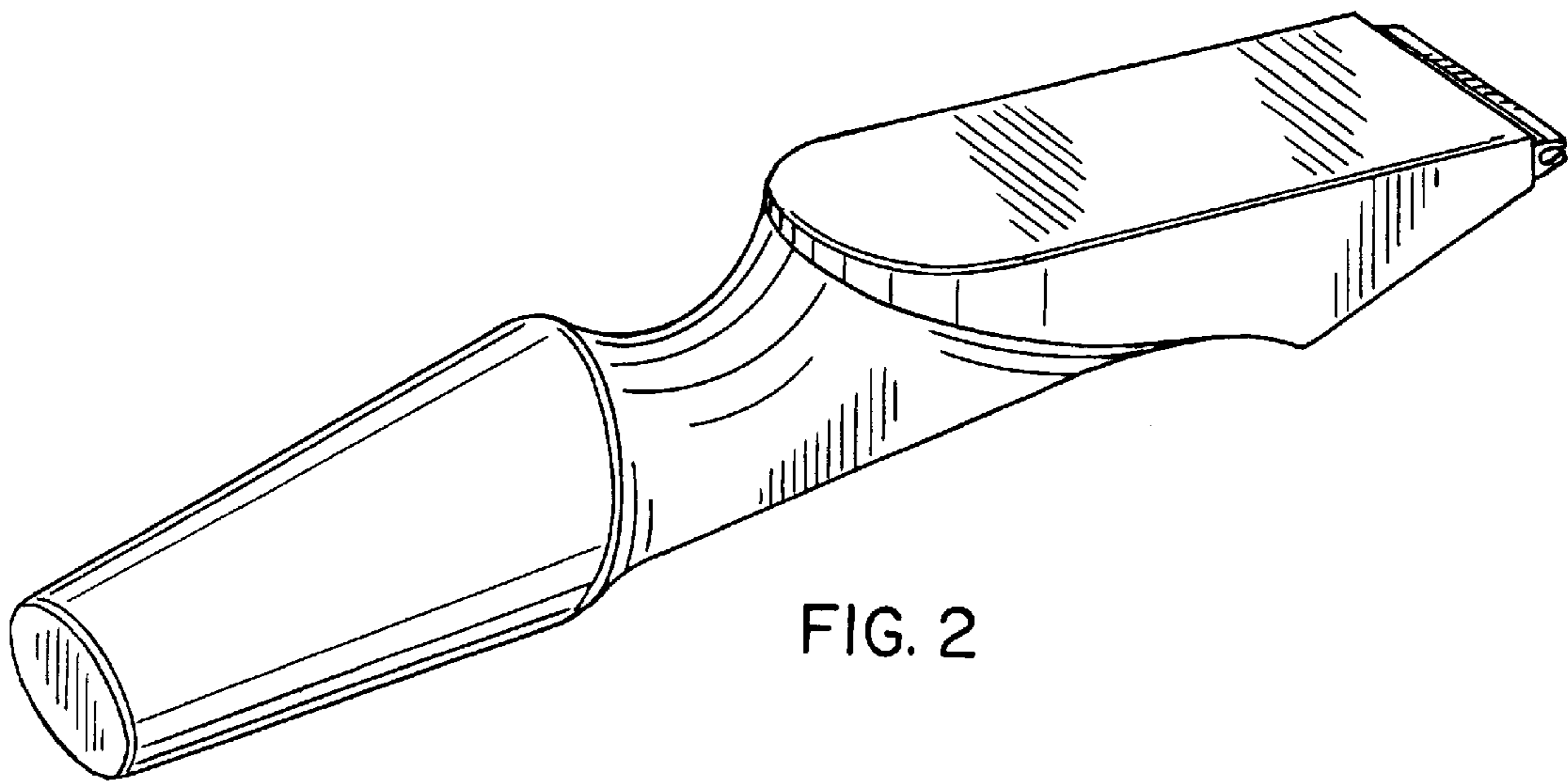


FIG. 2

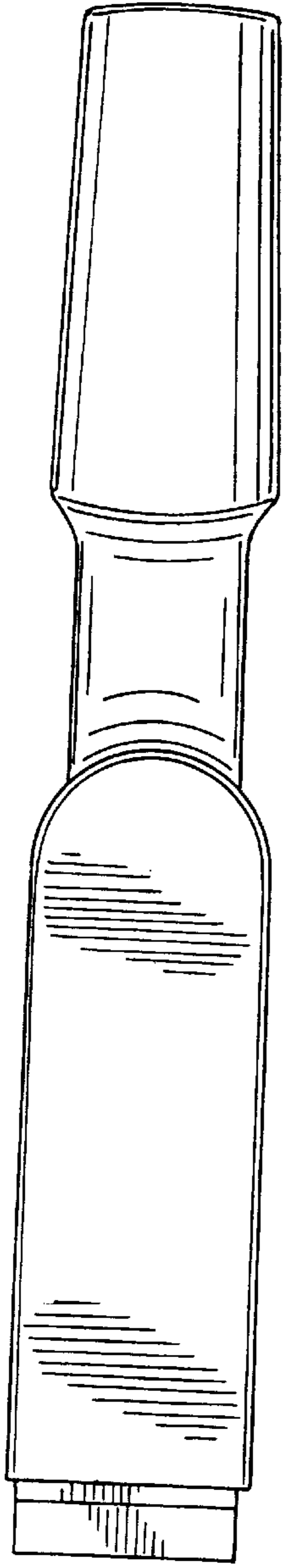


FIG. 3

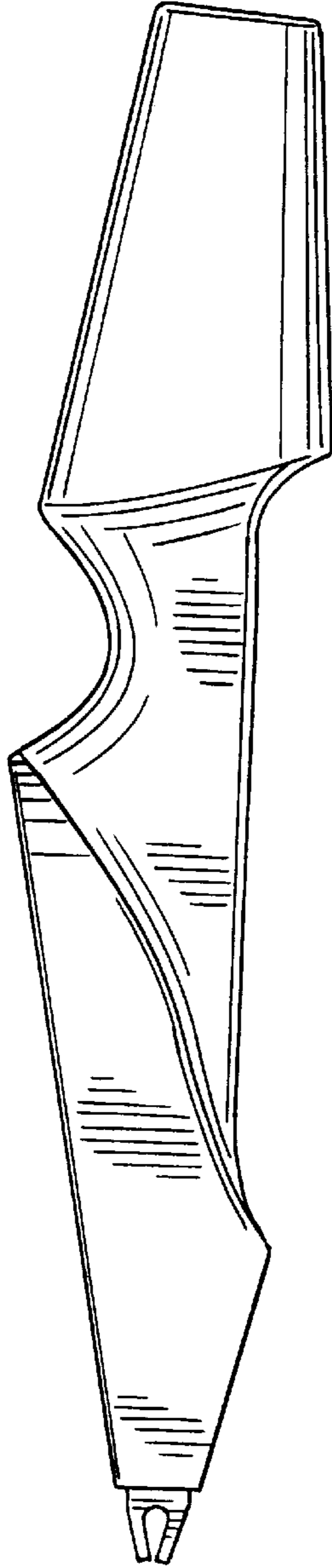


FIG. 4

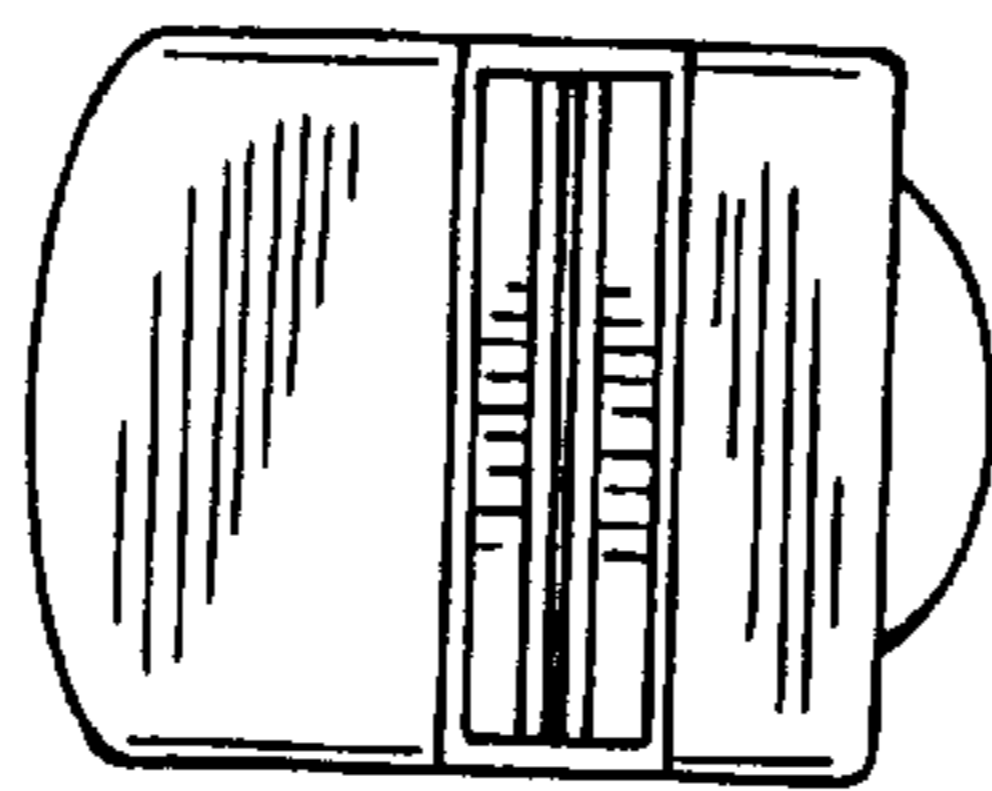


FIG. 5

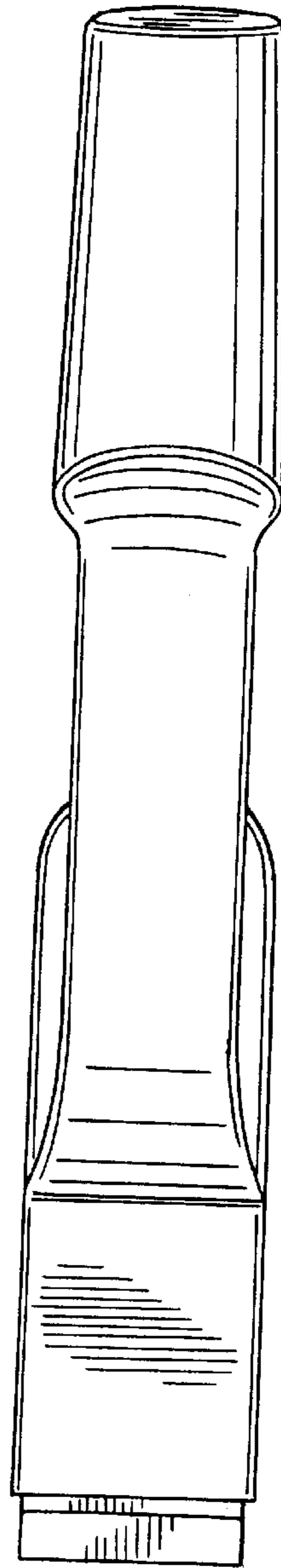


FIG. 6

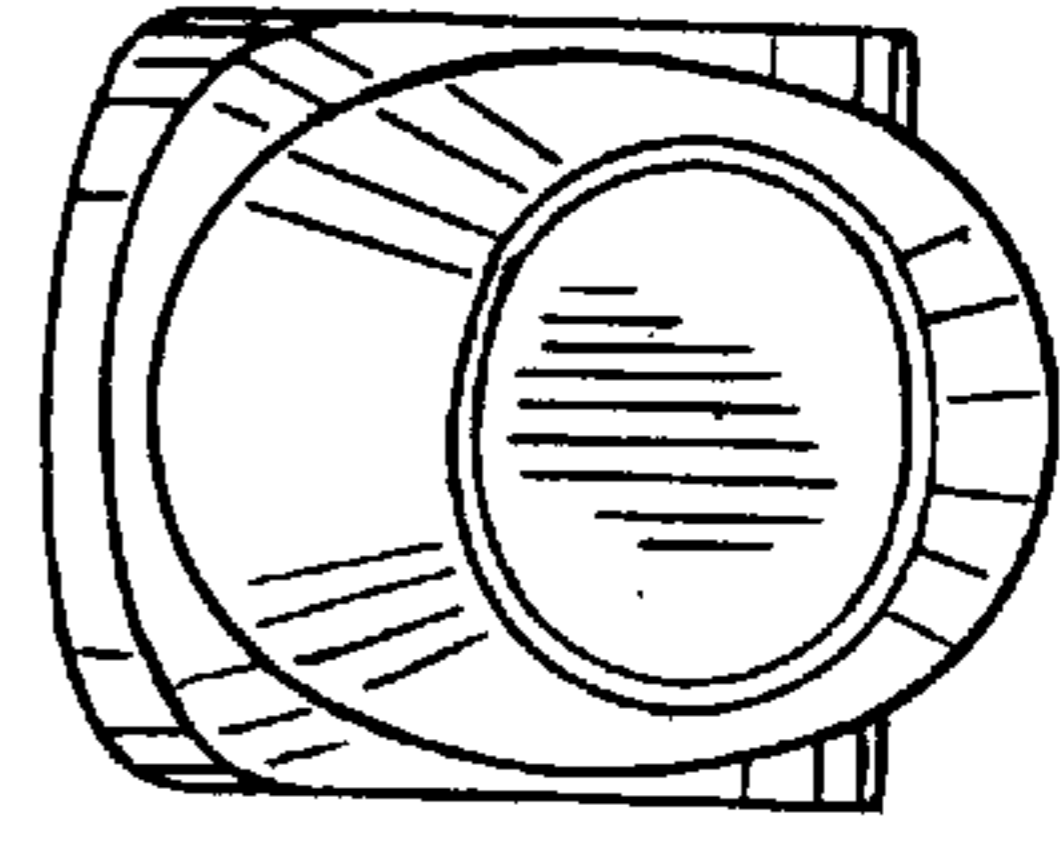


FIG. 7