



US00D435932S

(12) **United States Design Patent**
Hiller et al.

(10) **Patent No.:** **US D435,932 S**

(45) **Date of Patent:** **** Jan. 2, 2001**

(54) **LAMP COVER**

(75) Inventors: **Raymond J. Hiller**, Chapel Hill;
Michael Drake, Stoney Creek, both of
NC (US)

(73) Assignee: **Regent Lighting Corporation**,
Burlington, NC (US)

(**) Term: **14 Years**

(21) Appl. No.: **29/111,601**

(22) Filed: **Sep. 30, 1999**

(51) **LOC (7) Cl.** **26-99**

(52) **U.S. Cl.** **D26/118**

(58) **Field of Search** D26/60-66; 362/269,
362/275, 272, 277, 282, 418, 419, 427

(56) **References Cited**

U.S. PATENT DOCUMENTS

D. 370,075	*	5/1996	Mier-Langner	D26/63
D. 392,406	*	3/1998	Morrow	D26/65
D. 408,570	*	4/1999	Bird	D26/63

OTHER PUBLICATIONS

Taiwan Lighting, Nov. 1997, p. 198, spot light #
Ty-703(S.M.L).*

* cited by examiner

Primary Examiner—Susan J. Lucas

(74) *Attorney, Agent, or Firm*—Niro, Scavone, Haller &
Niro

(57) **CLAIM**

We claim the ornamental design for an lamp cover, as shown
and described.

DESCRIPTION

FIG. 1 is a perspective view taken from the left side of the
new design;

FIG. 2 is a top plan view thereof; and

FIG. 3 is a front view thereof.

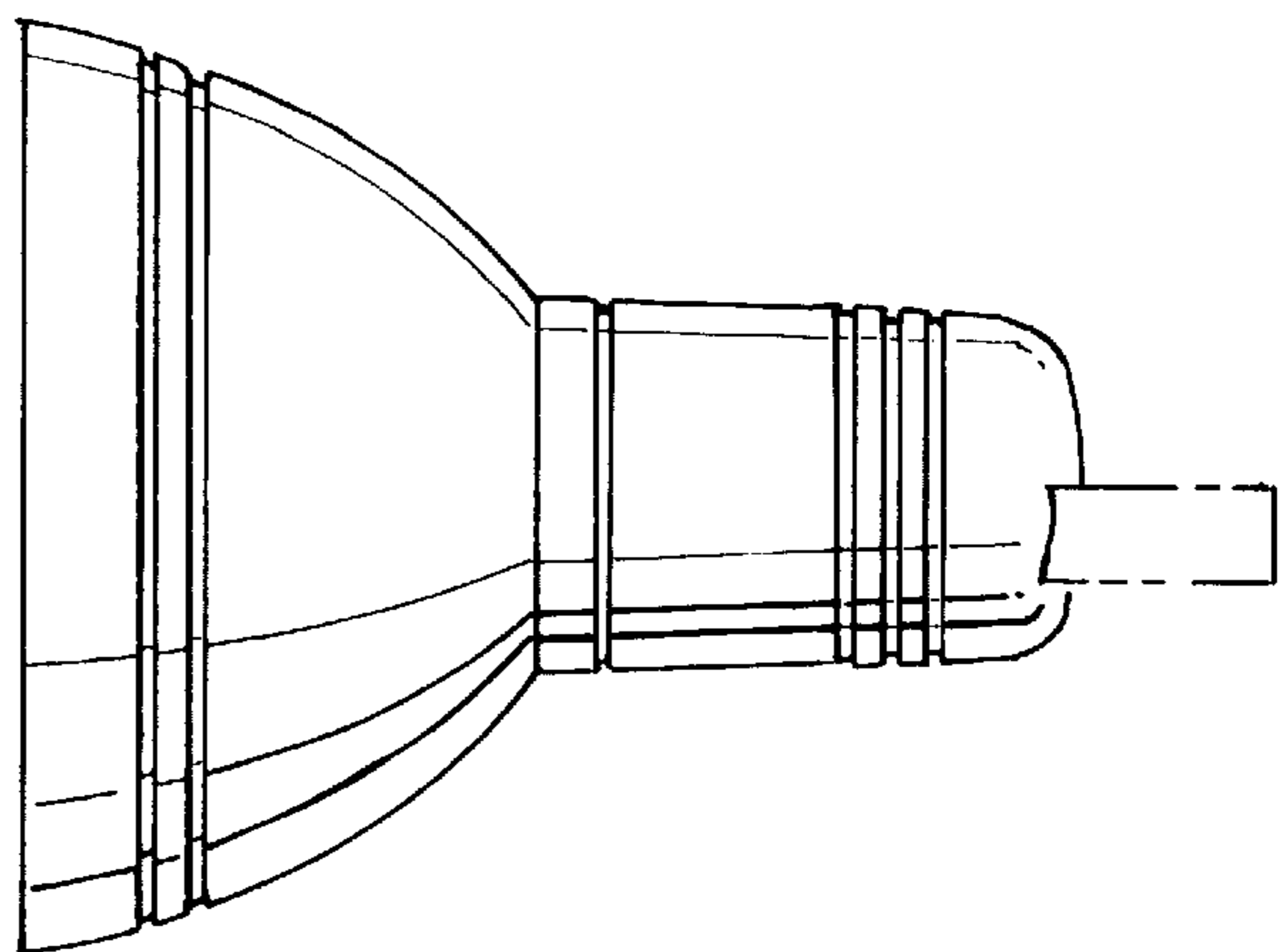
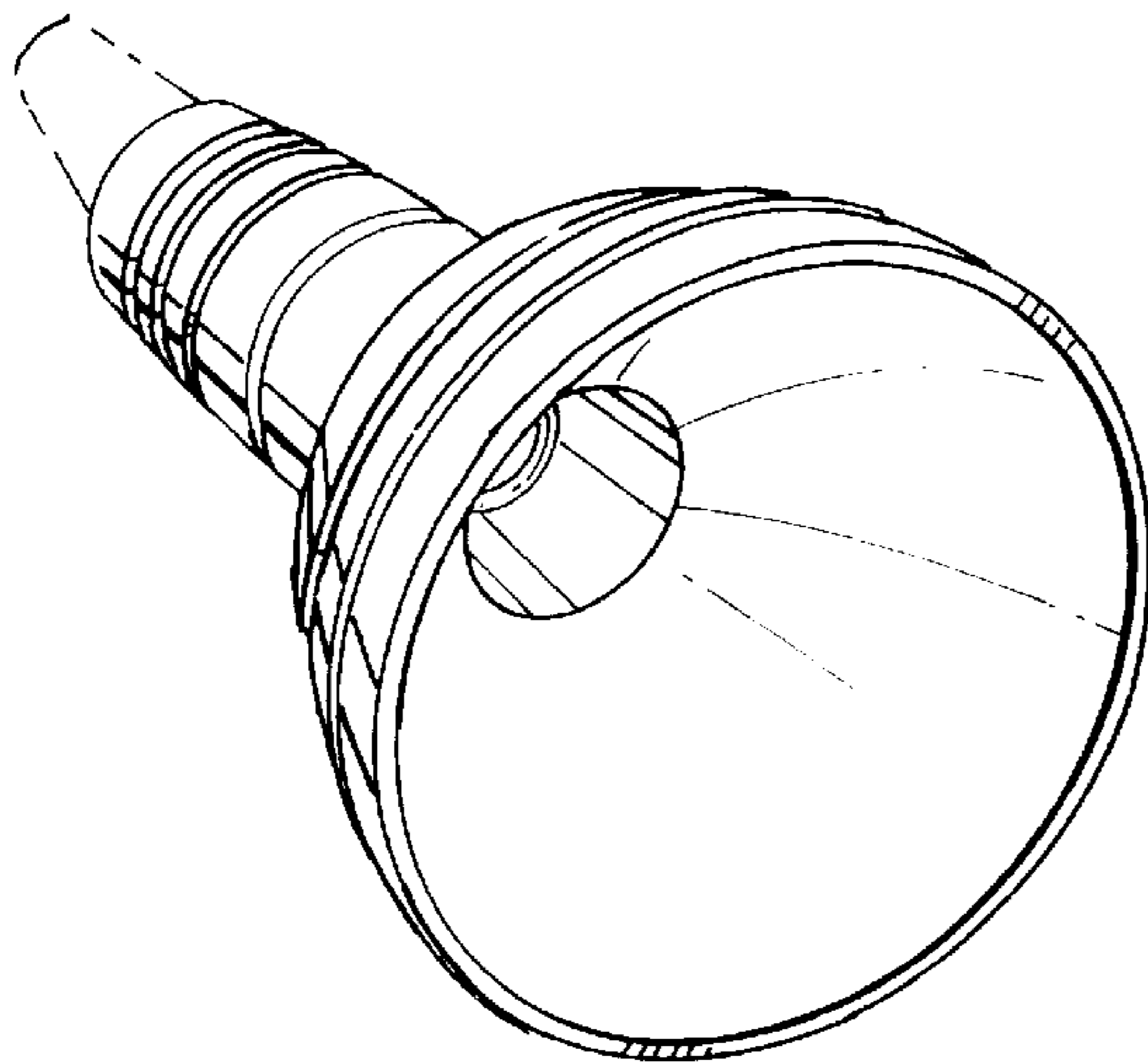
FIG. 4 is a side view thereof;

FIG. 5 is a elevation plan view thereof; and,

FIG. 6 is a bottom plan view thereof.

The broken lines are shown for illustrative purposes only
and form no part of the claimed design.

1 Claim, 1 Drawing Sheet



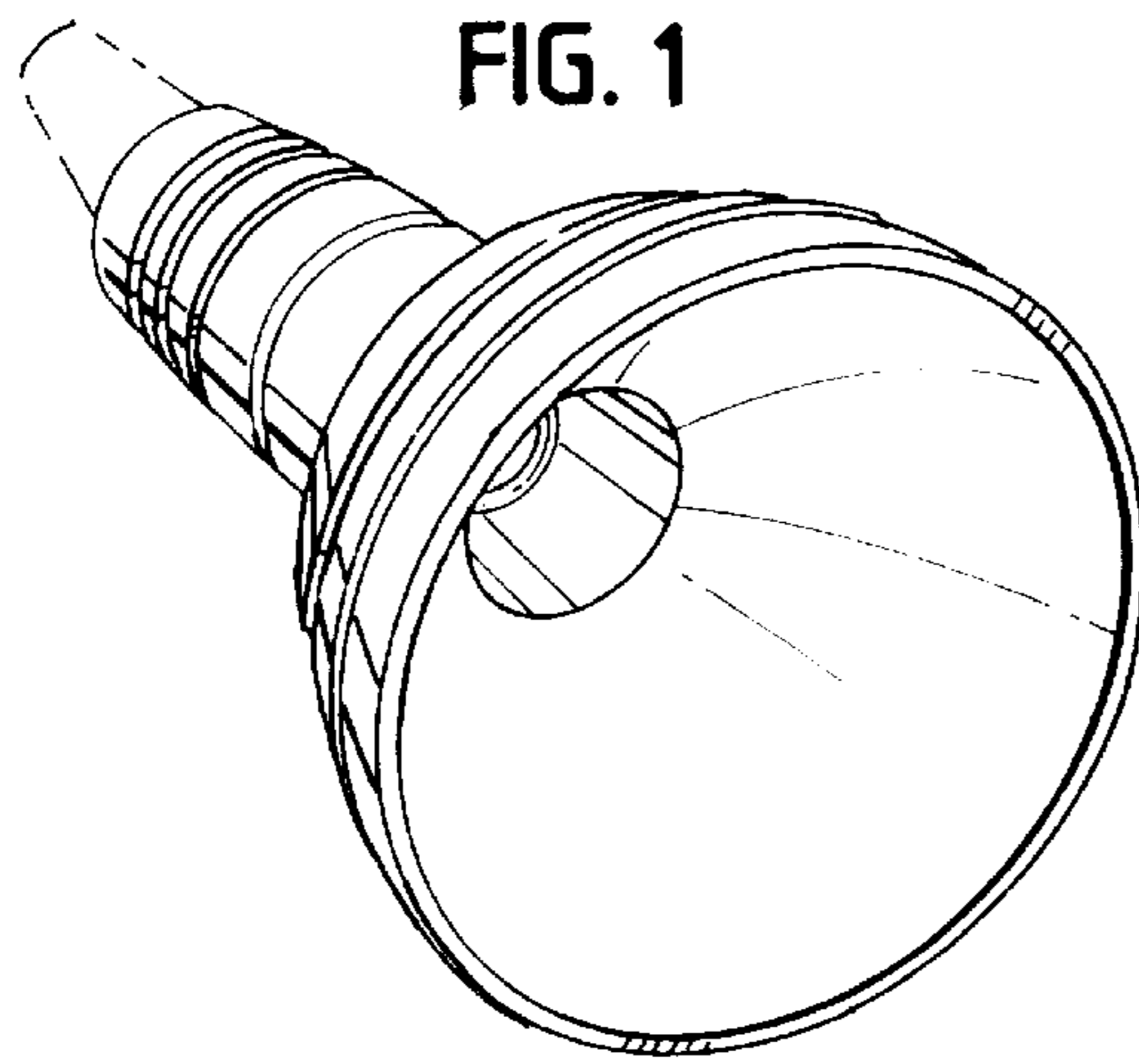


FIG. 1

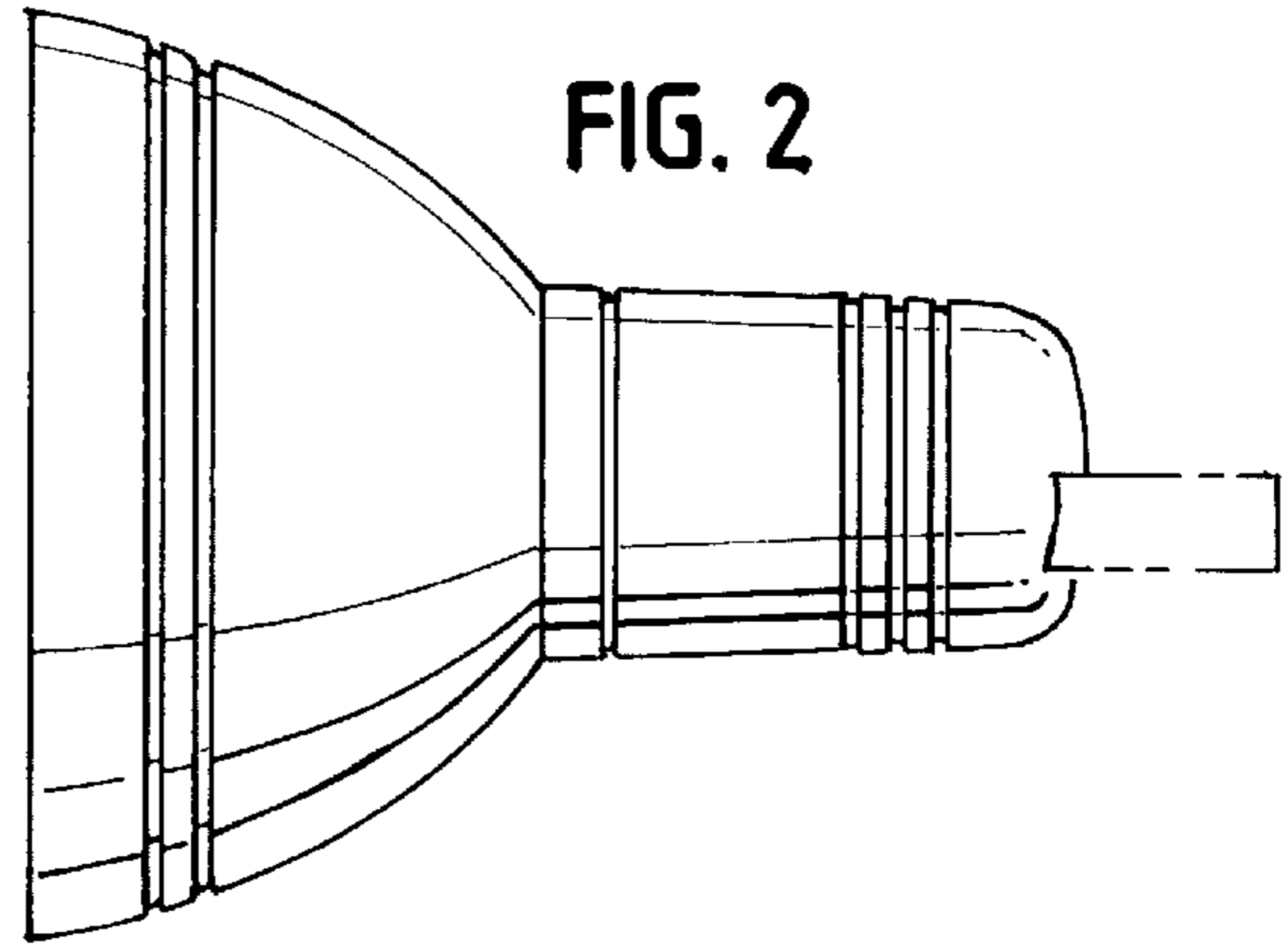


FIG. 2

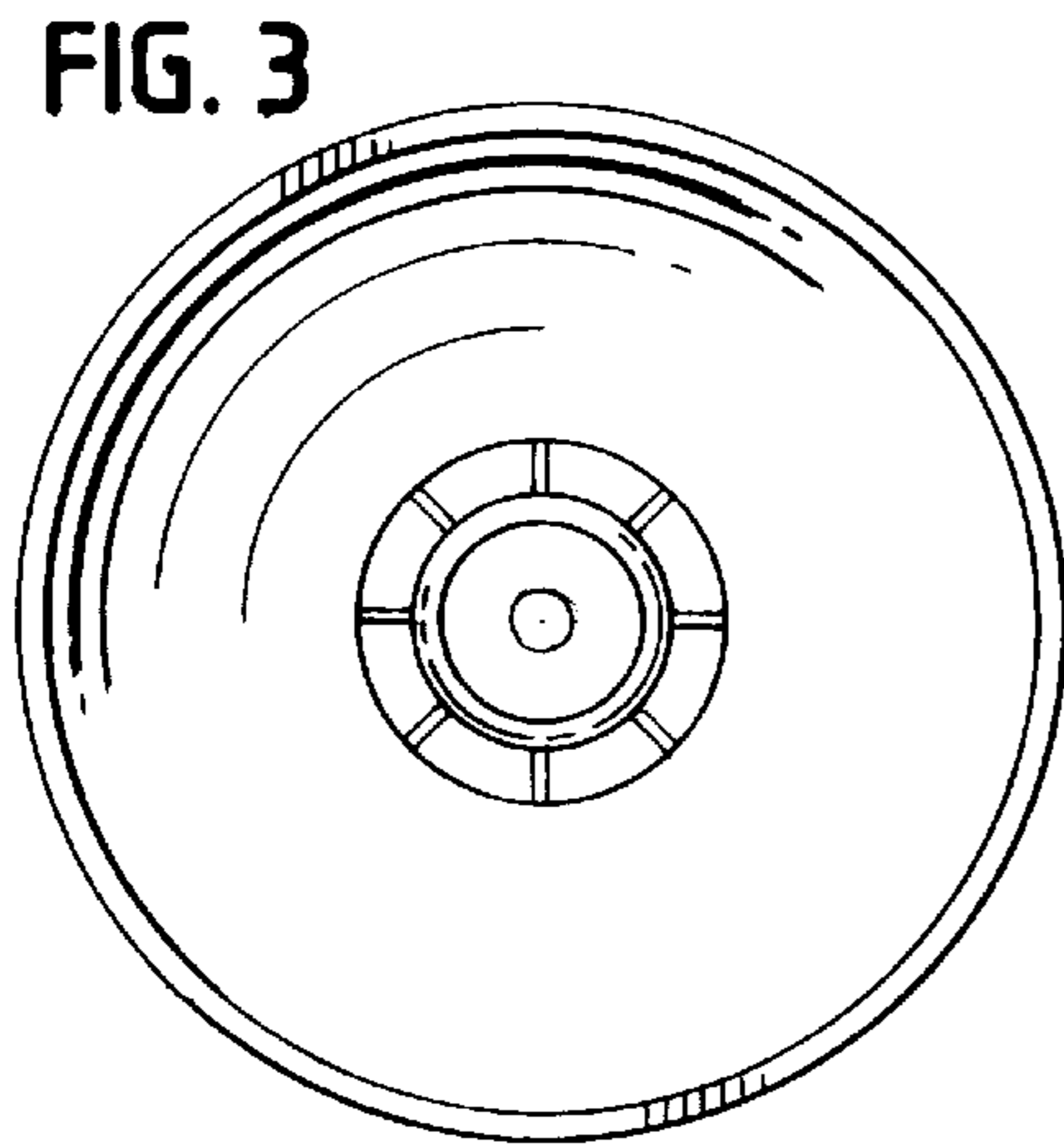


FIG. 3

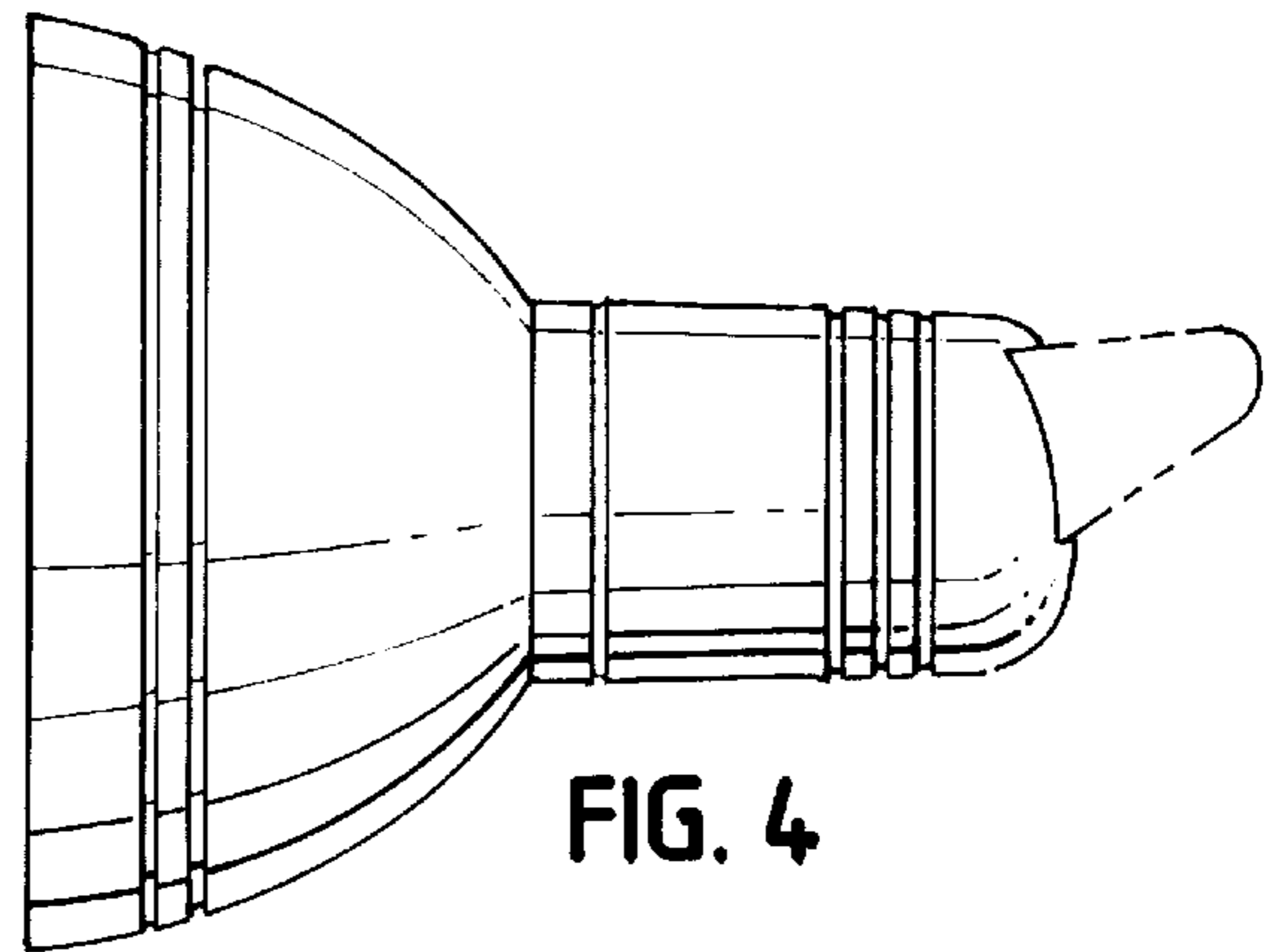


FIG. 4

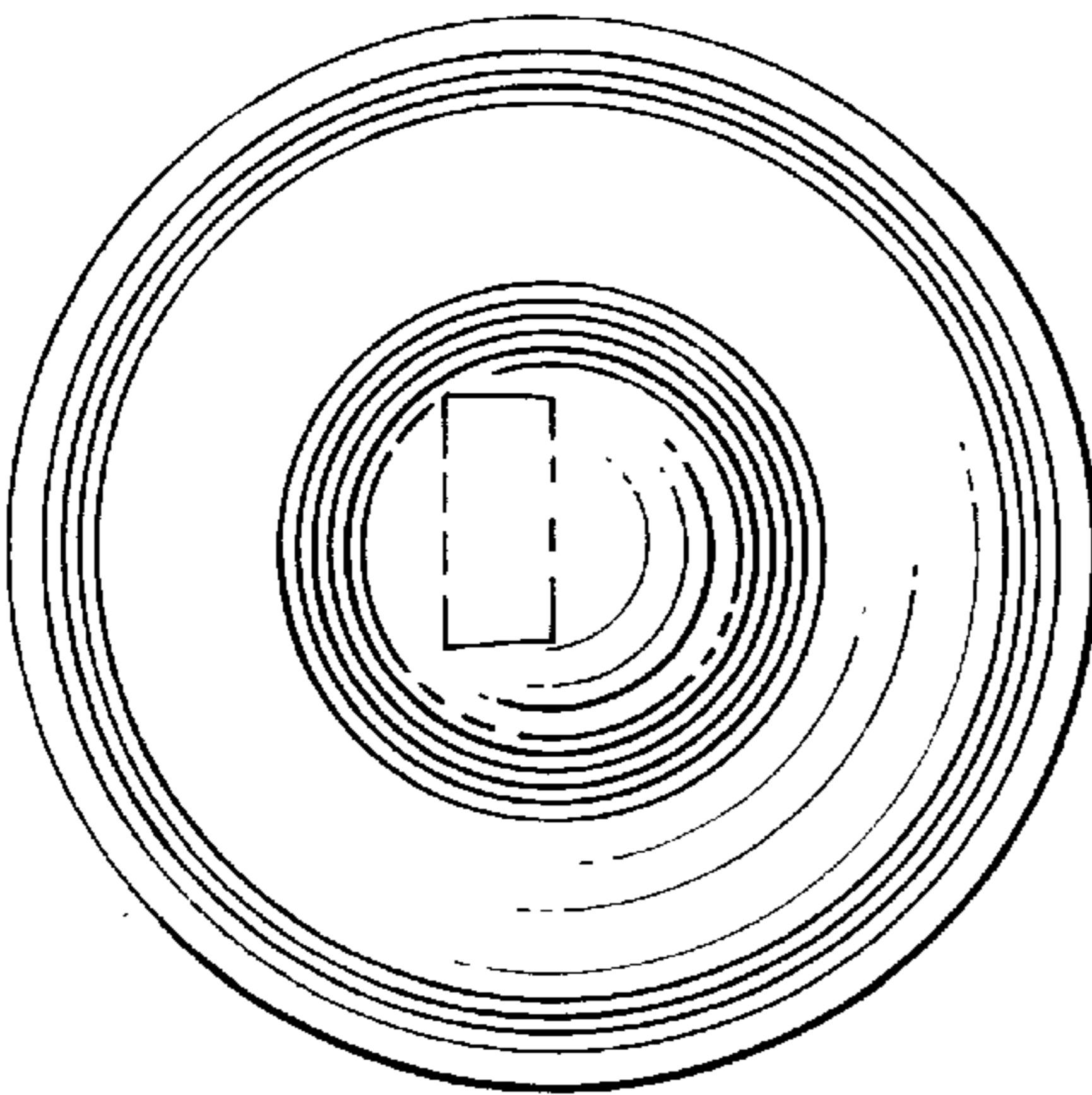


FIG. 5

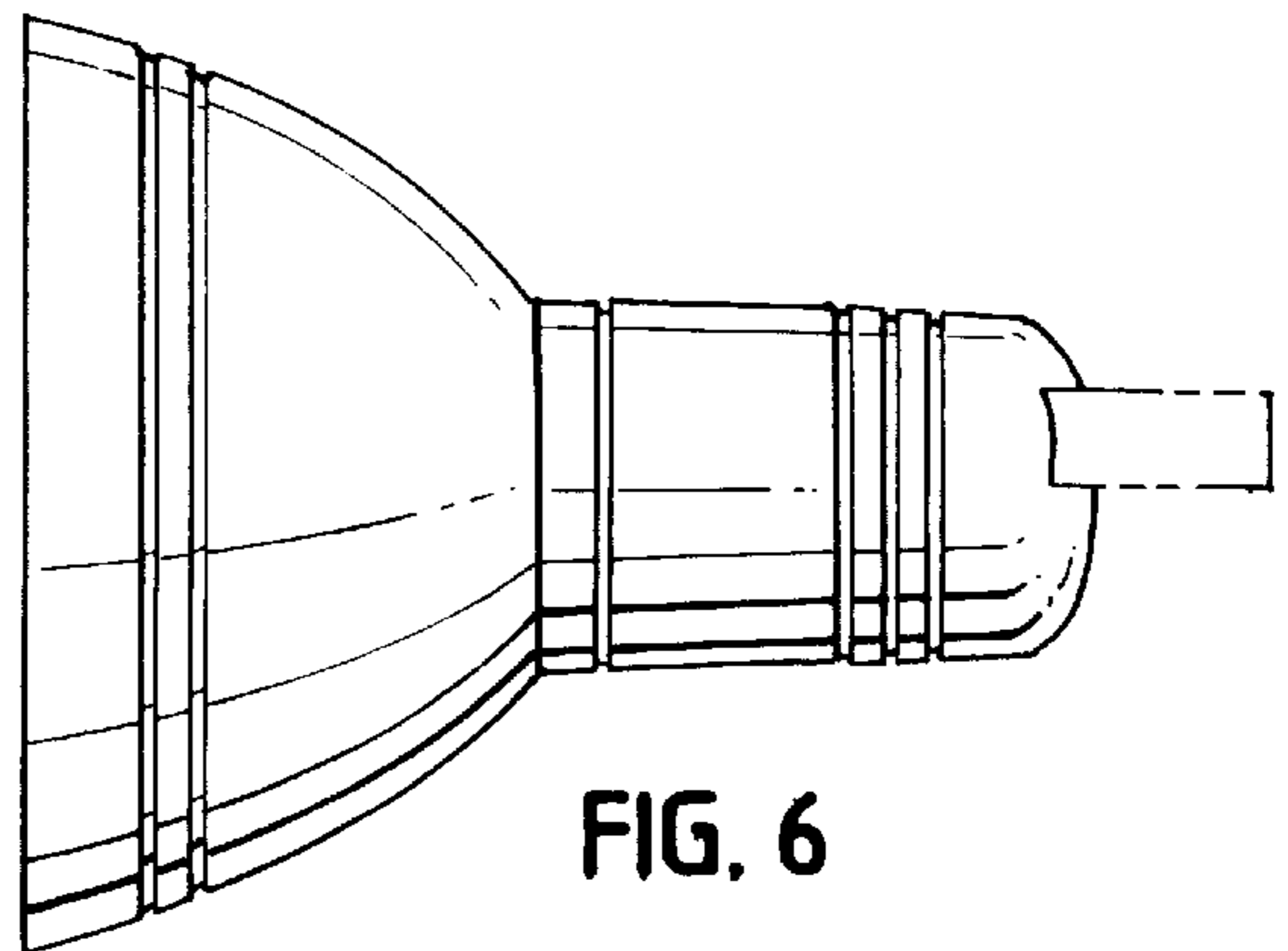


FIG. 6