



US00D435931S

(12) **United States Design Patent** (10) **Patent No.:** **US D435,931 S**
Yeh (45) **Date of Patent:** **** Jan. 2, 2001**

(54) **HALOGEN TORCHIERE FLOOR LAMP**

(76) Inventor: **John Yeh**, c/o American Lighting Industry, Inc., 6505 B Gayhart St., Commerce, CA (US) 90040

(**) Term: **14 Years**

(21) Appl. No.: **29/116,297**

(22) Filed: **Dec. 29, 1999**

(51) **LOC (7) Cl.** **26-03**

(52) **U.S. Cl.** **D26/111**

(58) **Field of Search** D26/93, 105-113, D26/118; 362/376, 410-414

(56) **References Cited**

U.S. PATENT DOCUMENTS

D. 192,381	*	3/1962	Curtin et al.	D26/104
D. 394,729	*	5/1998	Lee	D26/110 X
D. 407,522	*	3/1999	Hsu	D26/108
5,800,052	*	9/1998	Yeh	362/376
5,997,160	*	12/1999	Swanson	362/376

OTHER PUBLICATIONS

Home Lighting & Accessories, lamp at left side of p. 9, Oct. 1997.

* cited by examiner

Primary Examiner—Alan P. Douglas

Assistant Examiner—Linda Brooks

(74) *Attorney, Agent, or Firm*—Intellepharm, Inc.; Manfred E. Wolff

(57) **CLAIM**

I claim the ornamental design for a halogen torchiere floor lamp, as shown and described.

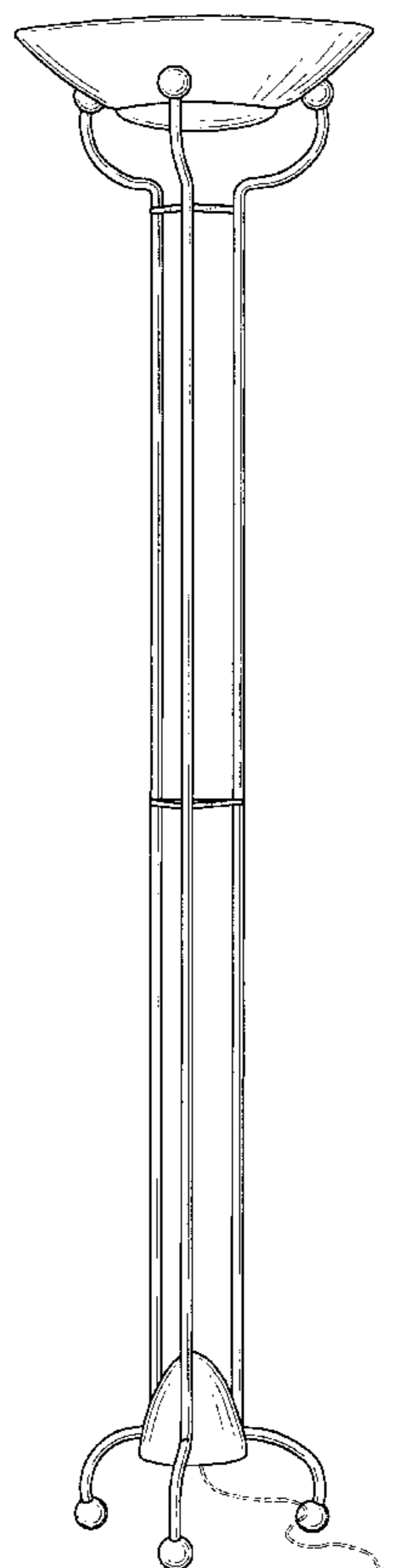
DESCRIPTION

The claimed halogen torchiere floor lamp is used for lighting and could stand on a floor.

FIG. 1 is an elevational view of a first side of a halogen torchiere floor lamp showing my new design, the elevational view of a second side and the elevational view of a third side being identical to said first side elevational view. The broken line illustration of the electrical cord shown on the claimed design forms no part thereof; and,

FIG. 2 is a perspective view thereof. The broken line illustration of the electrical cord shown on the claimed design forms no part thereof.

1 Claim, 1 Drawing Sheet



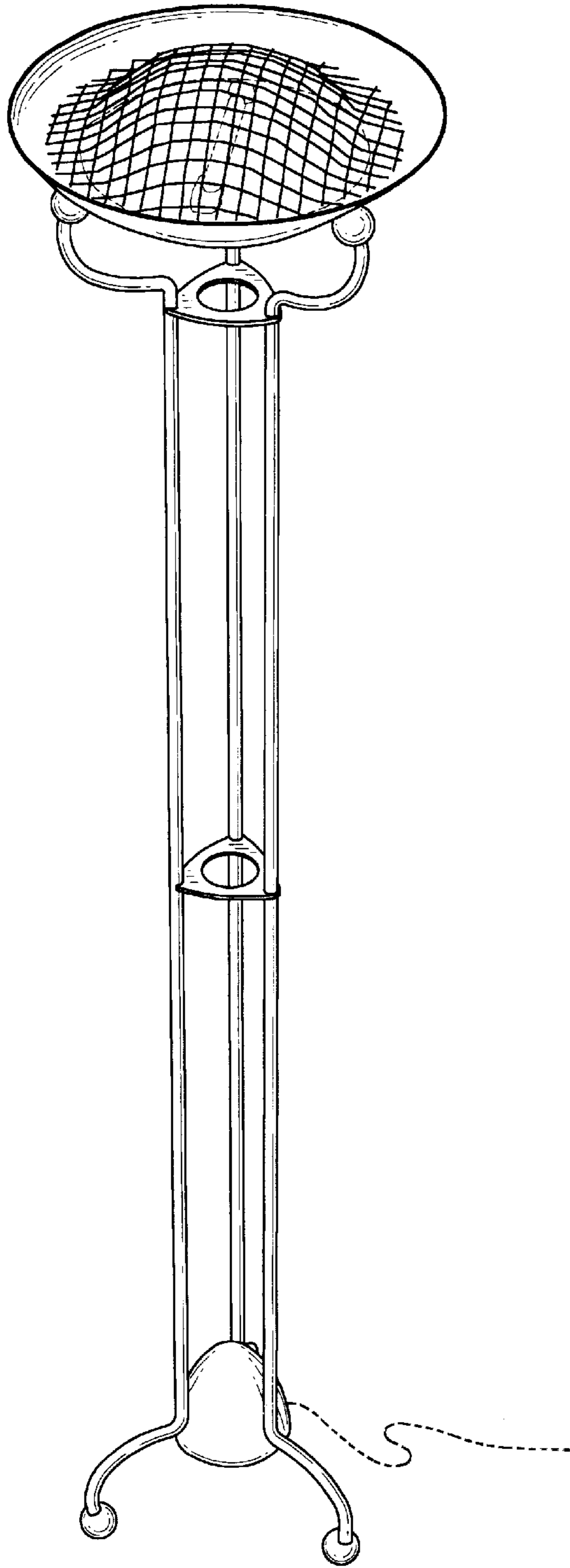


Fig. 2

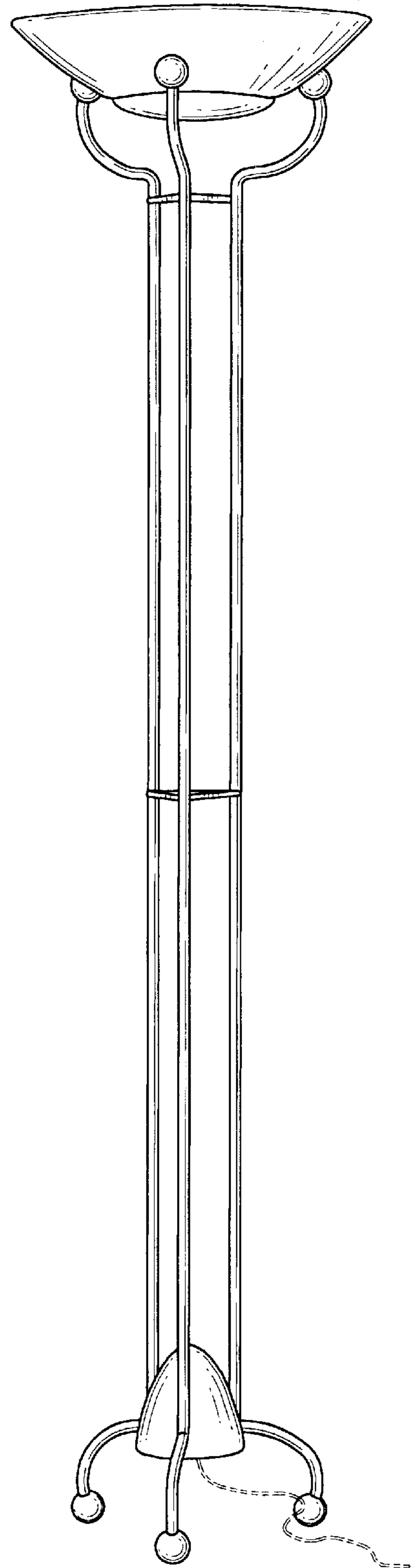


Fig. 1