



US00D435930S

(12) **United States Design Patent**
Mason

(10) **Patent No.:** **US D435,930 S**

(45) **Date of Patent:** **** Jan. 2, 2001**

(54) **LAMP WITH TIMER**

(76) Inventor: **Bobbie Mae Mason**, 848 W. Belle
Plaine-Unit 2W, Chicago, IL (US)
60613

(**) Term: **14 Years**

(21) Appl. No.: **29/119,599**

(22) Filed: **Mar. 6, 2000**

(51) **LOC (7) Cl.** **26-03**

(52) **U.S. Cl.** **D26/106; D26/51**

(58) **Field of Search** D26/51, 52, 54,
D26/58, 93, 94, 102-112; D10/40; 362/234,
253, 295, 410-414, 157, 159, 183, 194,
195

(56) **References Cited**

U.S. PATENT DOCUMENTS

| | | | | | |
|------------|---|---------|---------------|-------|-----------|
| D. 71,664 | * | 12/1926 | De Vilbiss | | D26/104 |
| D. 135,265 | * | 3/1943 | Henken | | D26/54 X |
| D. 337,532 | * | 7/1993 | Wills et al. | | D10/40 |
| 3,609,347 | * | 9/1971 | Kopenhaver | | 362/295 |
| 4,285,028 | * | 8/1981 | Sundin et al. | | 362/253 X |
| 5,406,466 | * | 4/1995 | Stokes | | 362/159 |

* cited by examiner

Primary Examiner—Freda Nunn
Assistant Examiner—Linda Brooks

(57) **CLAIM**

The ornamental design for a lamp with timer, as shown and described.

DESCRIPTION

The nature and intended use of the article being an ornamental design for a portable lamp with rechargeable batteries and timer.

FIG. 1 is a front elevational view of the lamp with timer of the present invention;

FIG. 2 is a rear elevational view of the lamp with timer of FIG. 1;

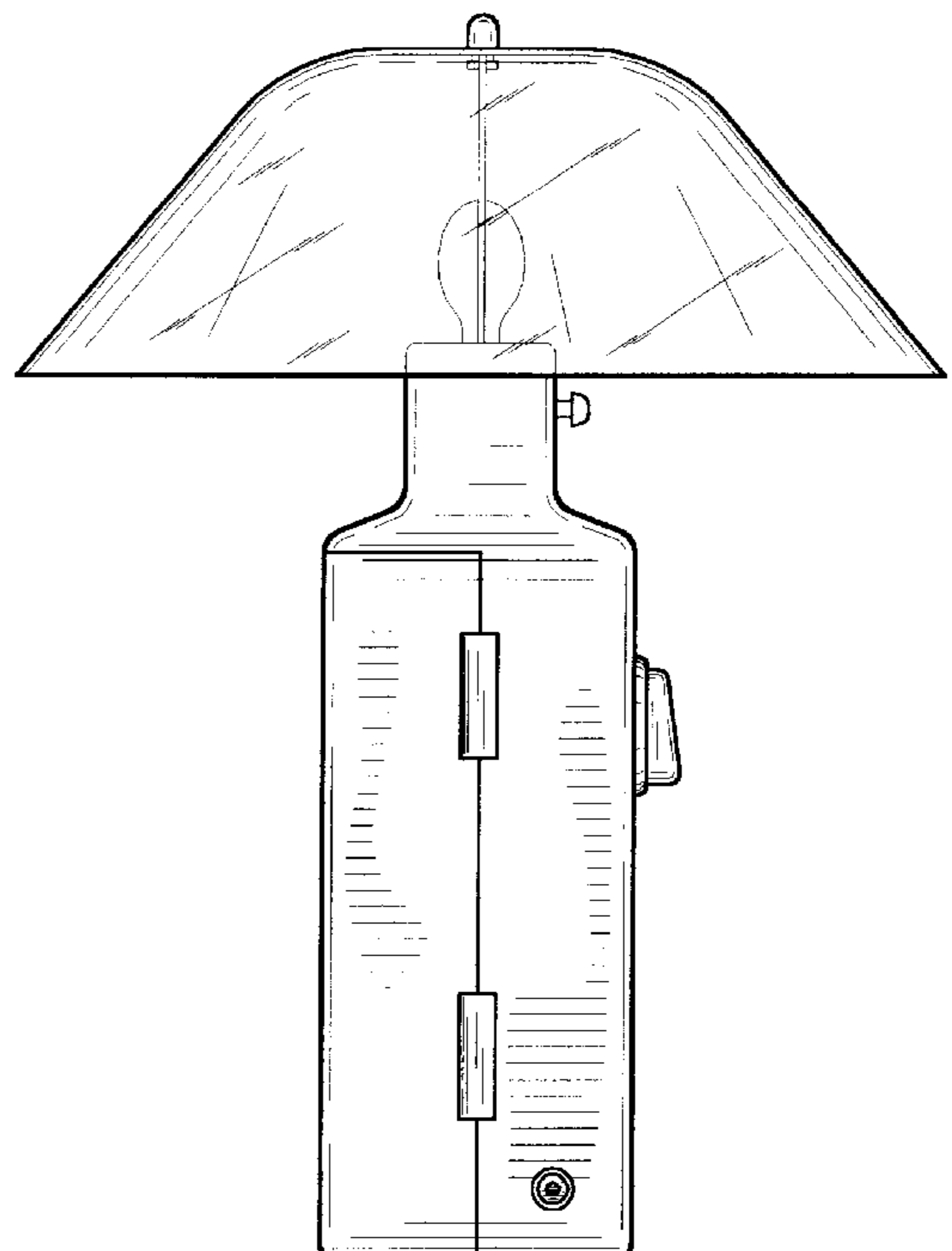
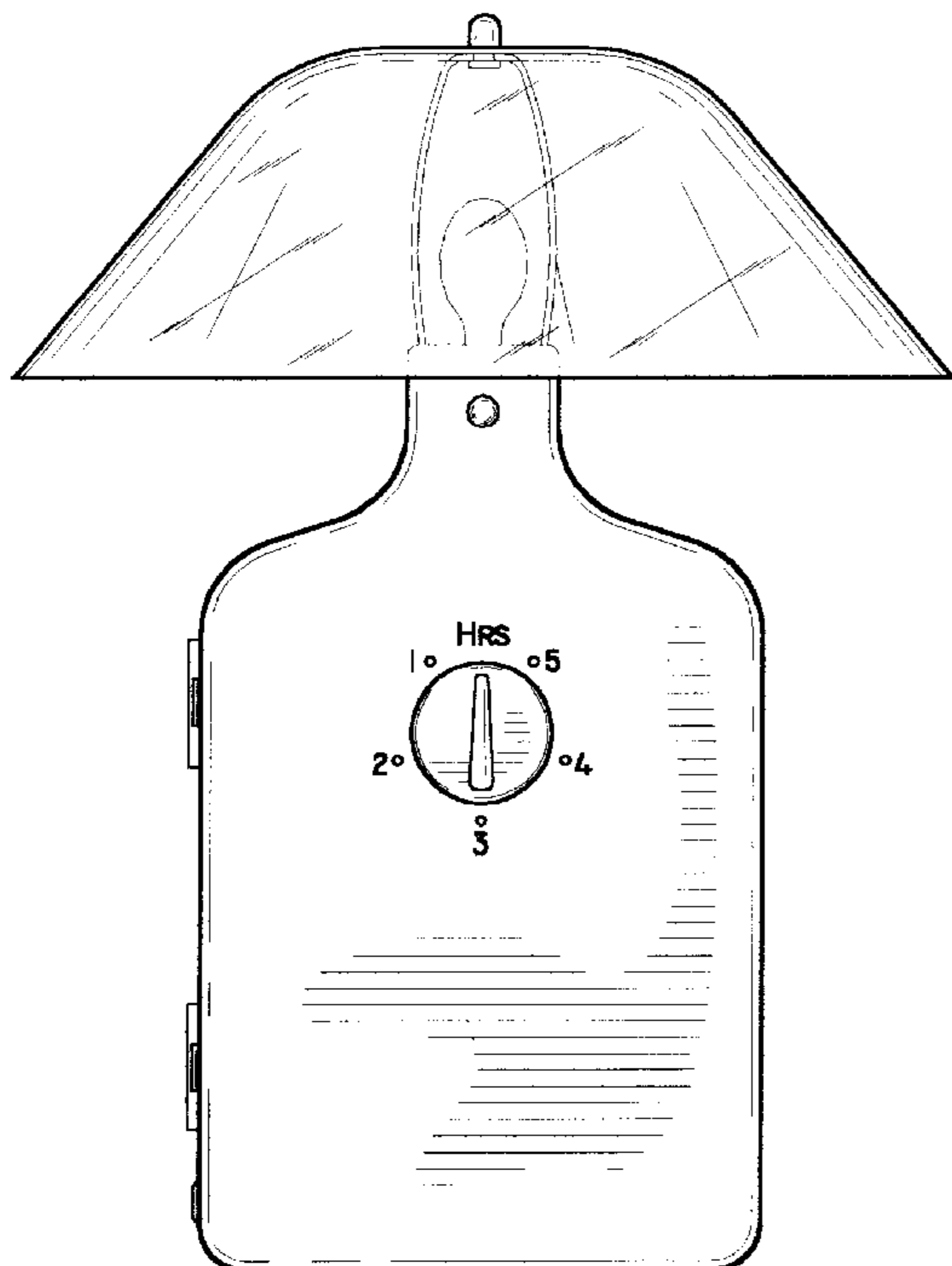
FIG. 3 is a left side elevational view of the lamp with timer of FIG. 1;

FIG. 4 is a right side elevational view of the lamp with timer of FIG. 1;

FIG. 5 is a top plan view of the lamp with timer of FIG. 1; and,

FIG. 6 is a bottom plan view of the lamp with timer of FIG. 1.

1 Claim, 3 Drawing Sheets



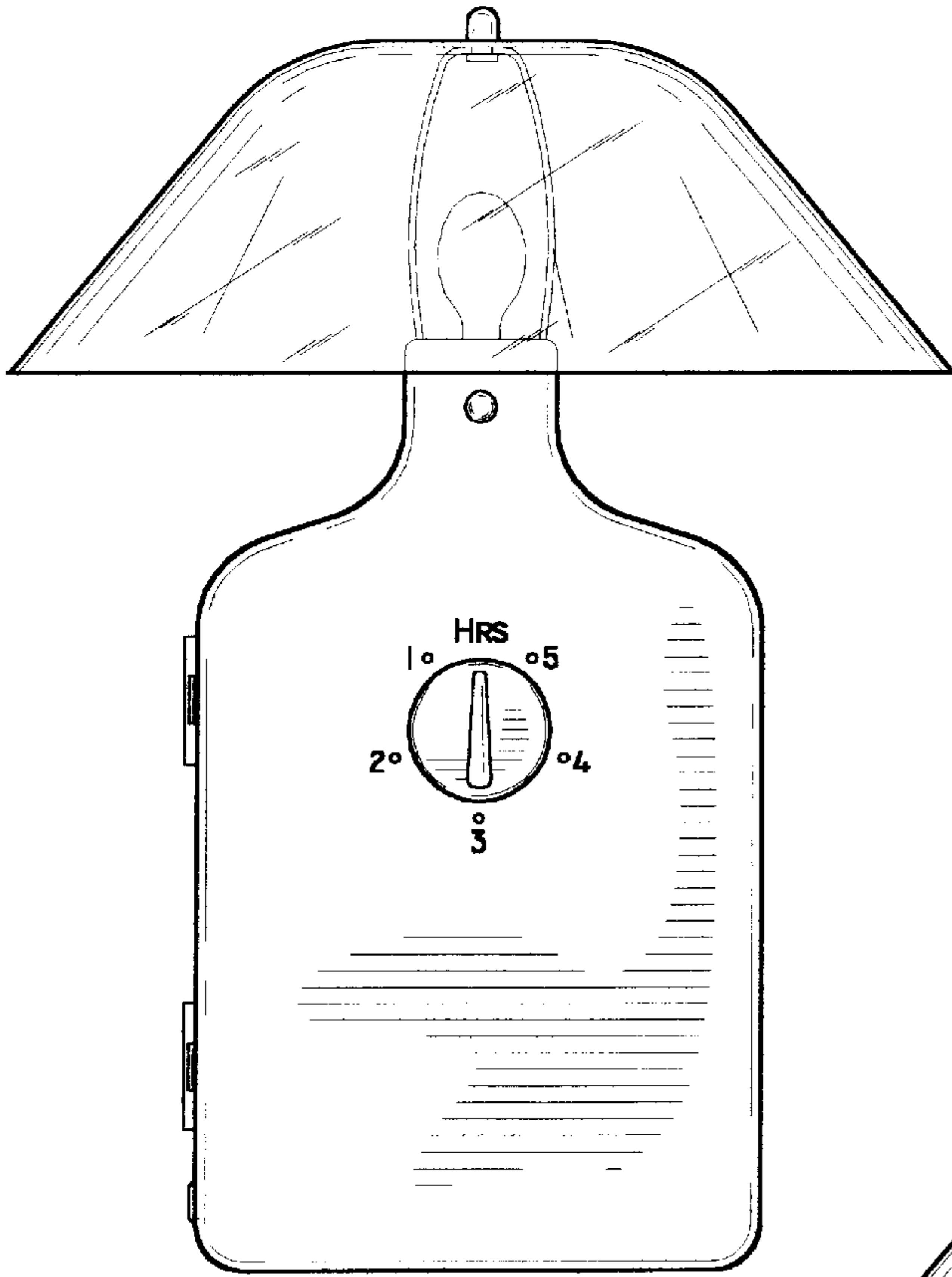


Fig. 1

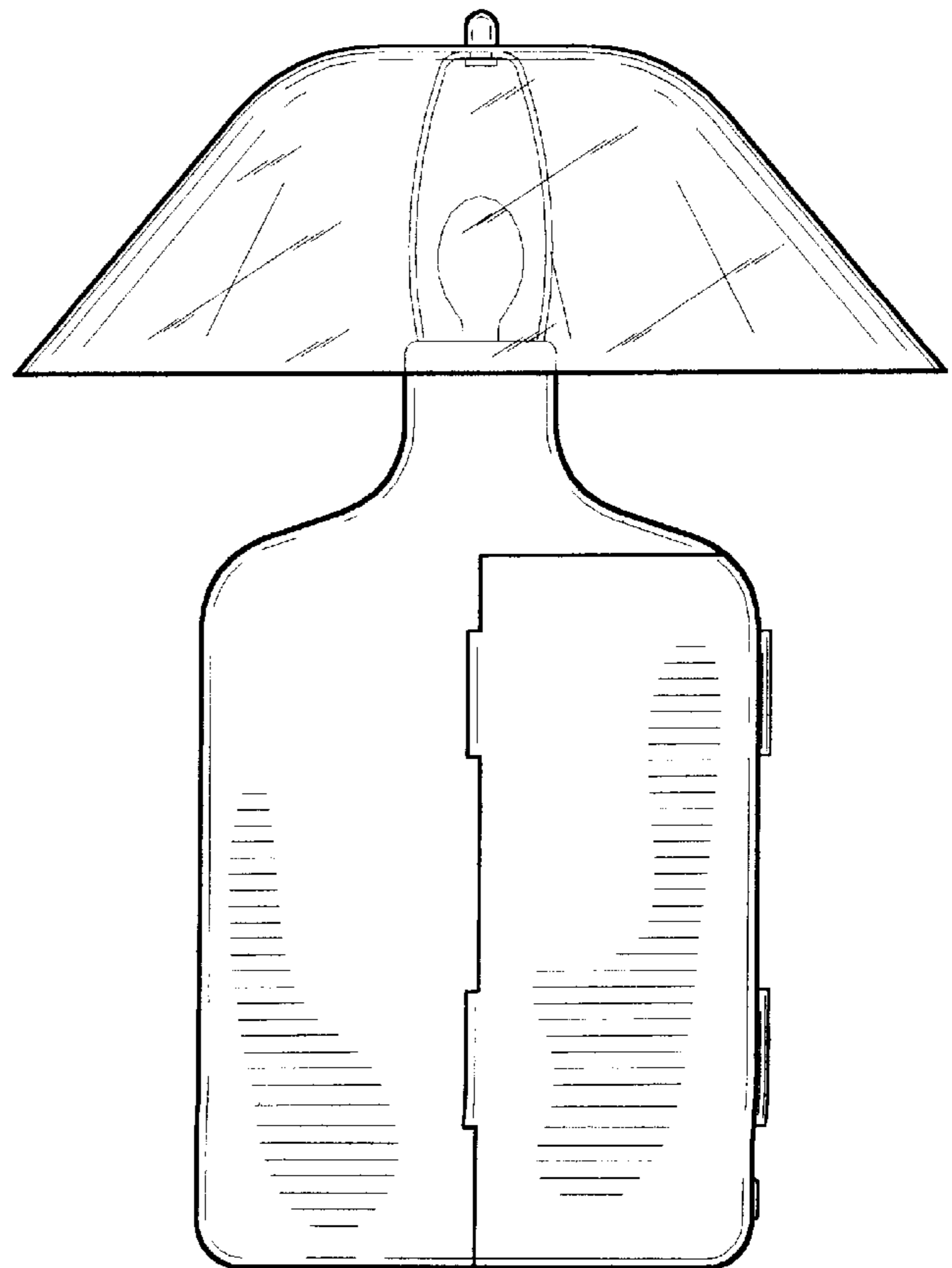


Fig. 2

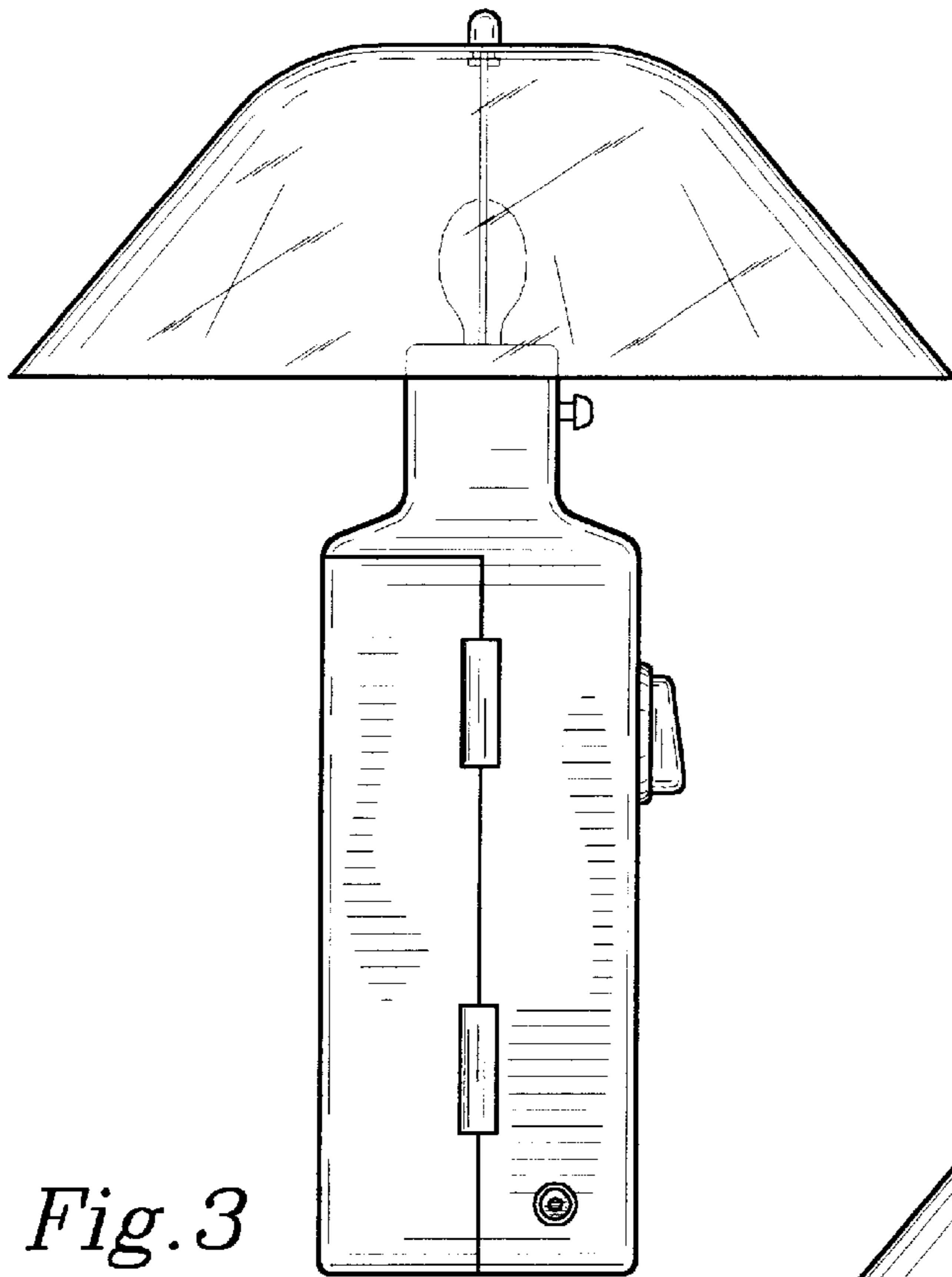


Fig. 3

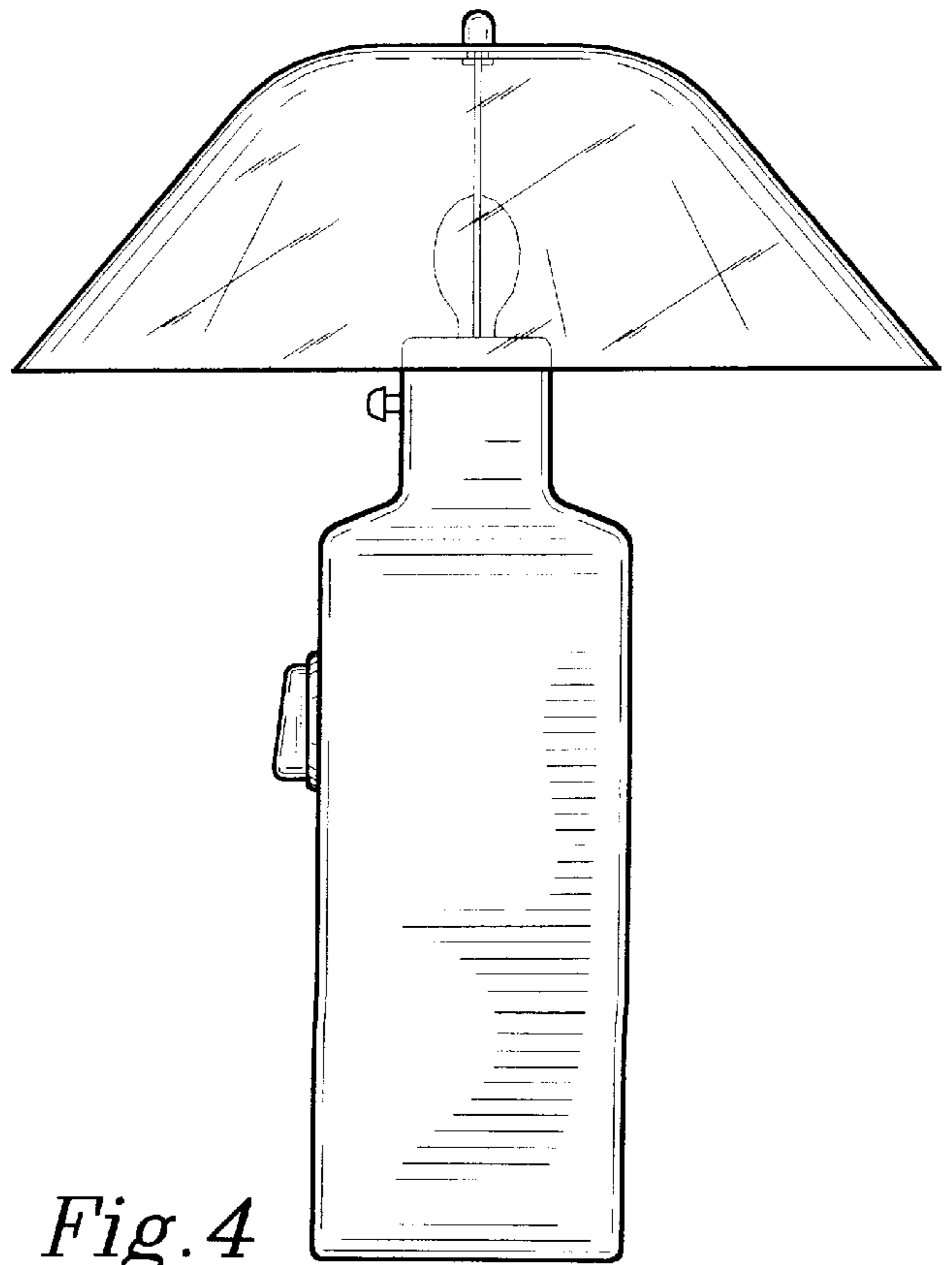


Fig. 4

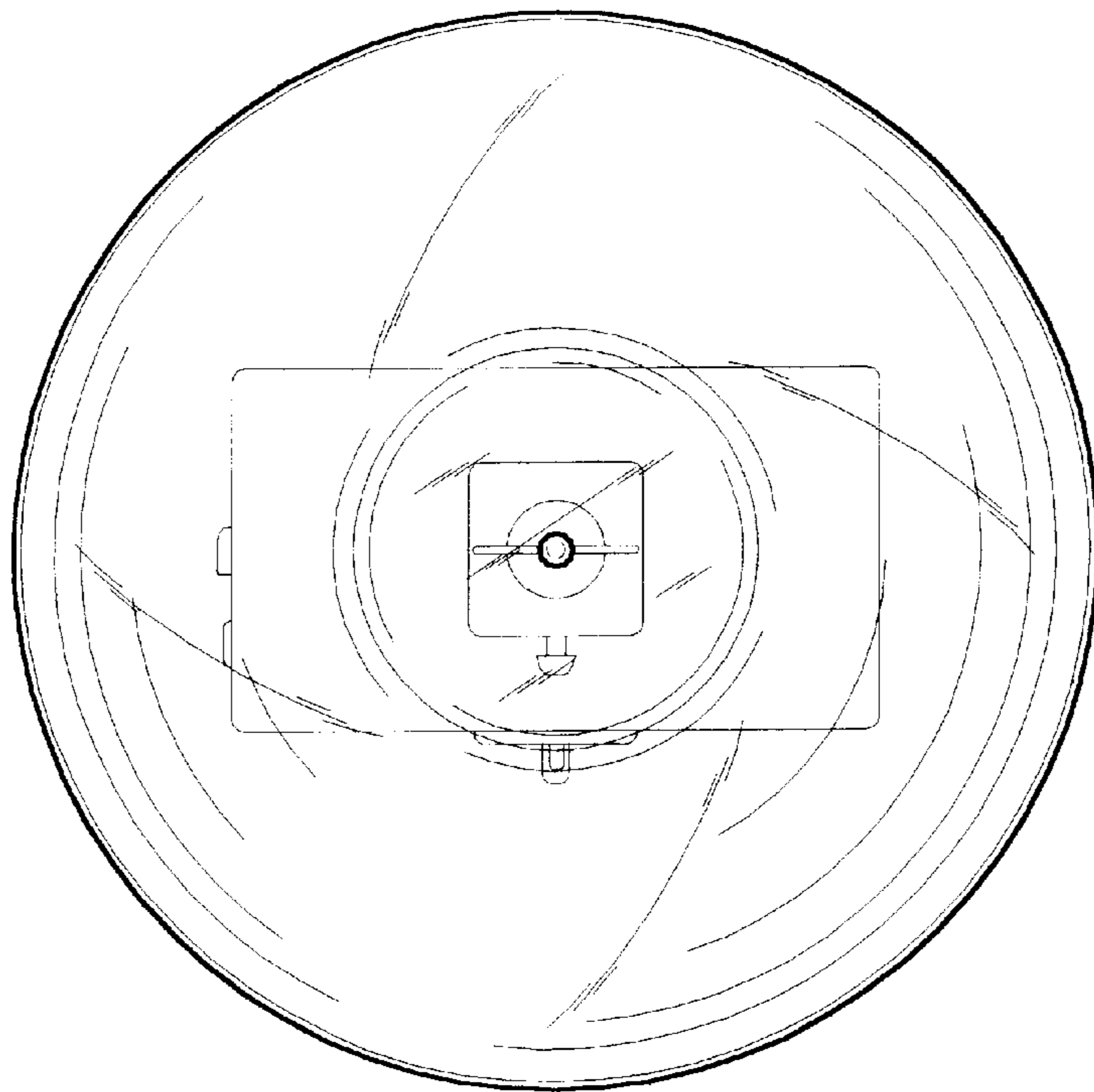


Fig. 5

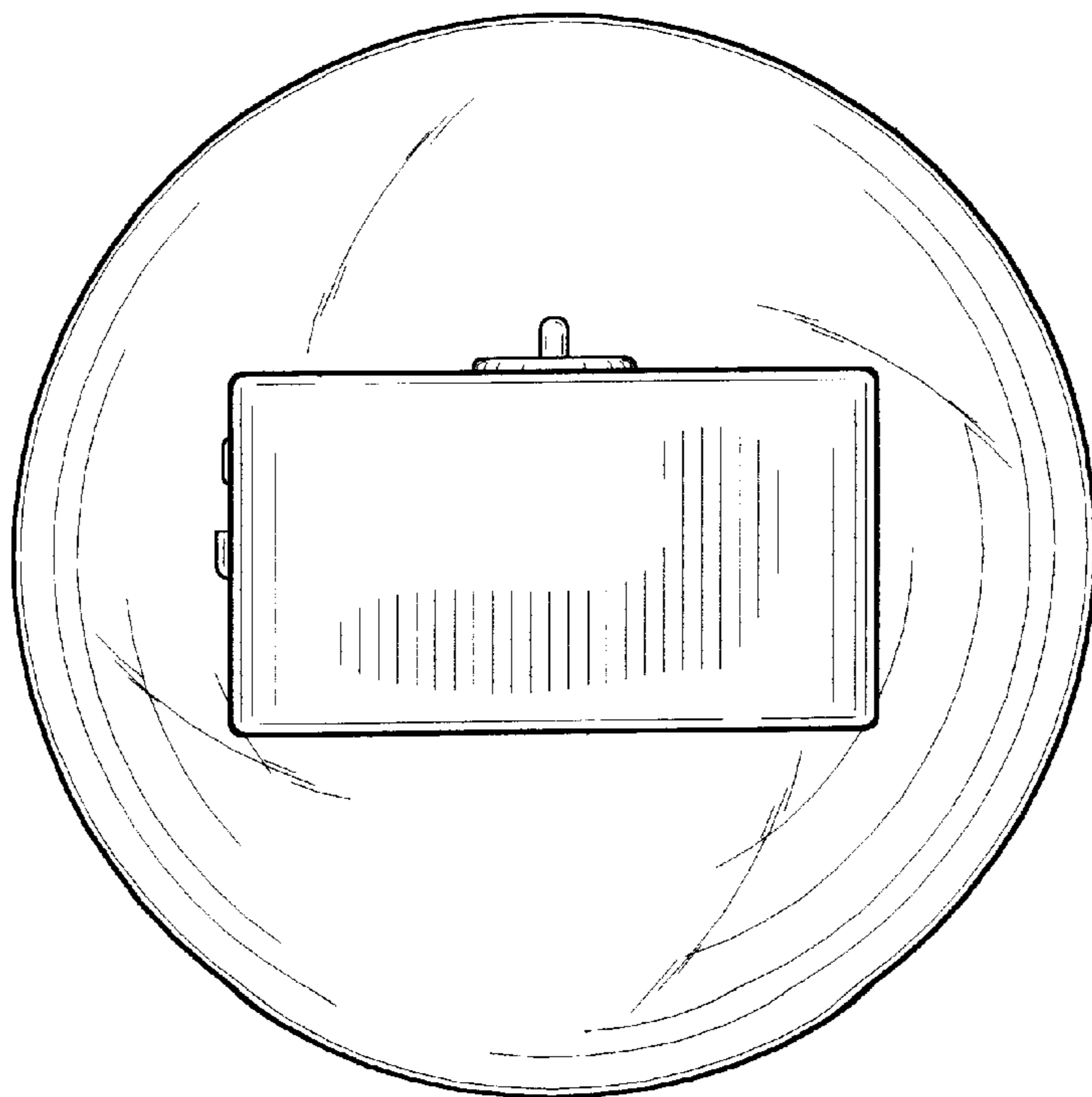


Fig. 6