



US00D435928S

(12) **United States Design Patent**
Towler et al.

(10) **Patent No.:** **US D435,928 S**

(45) **Date of Patent:** **** Jan. 2, 2001**

(54) **STATE-SHAPED LAMP**

5,778,576 7/1998 Kaviani .

(76) Inventors: **Thomas F. Towler; Dan F. Towler,**
both of P.O. Box 36, Warren, AR (US)
71671

* cited by examiner

Primary Examiner—Alan P. Douglas

Assistant Examiner—Linda Brooks

(**) Term: **14 Years**

(74) *Attorney, Agent, or Firm*—William P. Smith

(21) Appl. No.: **29/116,824**

(57) **CLAIM**

(22) Filed: **Jan. 12, 2000**

The ornamental design for a state-shaped lamp, as shown and described.

(51) **LOC (7) Cl.** **26-03**

DESCRIPTION

(52) **U.S. Cl.** **D26/94**

(58) **Field of Search** D26/52, 57, 93,
D26/94; D14/168, 169, 170, 176; 362/253,
127, 133, 134, 410-414, 806; D6/397,
399, 440

FIG. 1 is a perspective view of the state-shaped lamp;
FIG. 2 is another perspective view of the state-shaped lamp;
FIG. 3 is a left side view of the state-shaped lamp;
FIG. 4 is a right side view of the state-shaped lamp;
FIG. 5 is a front view of the state-shaped lamp;
FIG. 6 is a rear view of the state-shaped lamp;
FIG. 7 is a top view of the state-shaped lamp; and,
FIG. 8 is a bottom view of the state-shaped lamp.

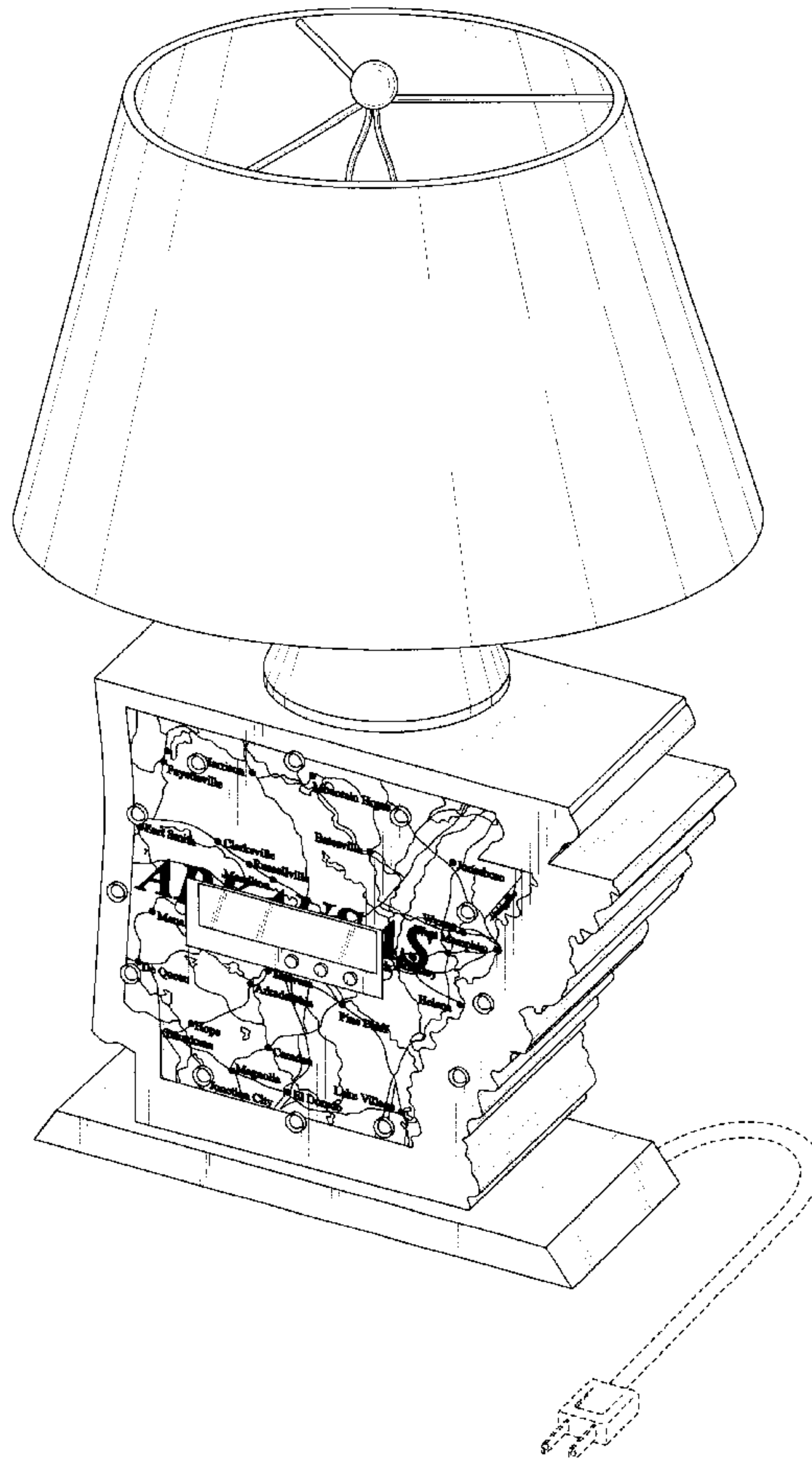
(56) **References Cited**

U.S. PATENT DOCUMENTS

D. 155,284	*	9/1949	Gershun	D26/58 X
D. 159,701	*	8/1950	Viani	D14/170
D. 254,512	*	3/1980	Leathers	D26/51
2,002,313		5/1935	Doane	.	
3,334,222		8/1967	Ziegler et al.	.	
3,775,604		11/1973	Pambello	.	
4,274,129		6/1981	Stevens	.	

In FIG. 1 the perspective view of the state-shaped lamp also shows a dotted line drawing of the cable. It is to be understood that this is not part of the invention but only shown for illustrative purposes only and forms no part of the claimed design.

1 Claim, 6 Drawing Sheets



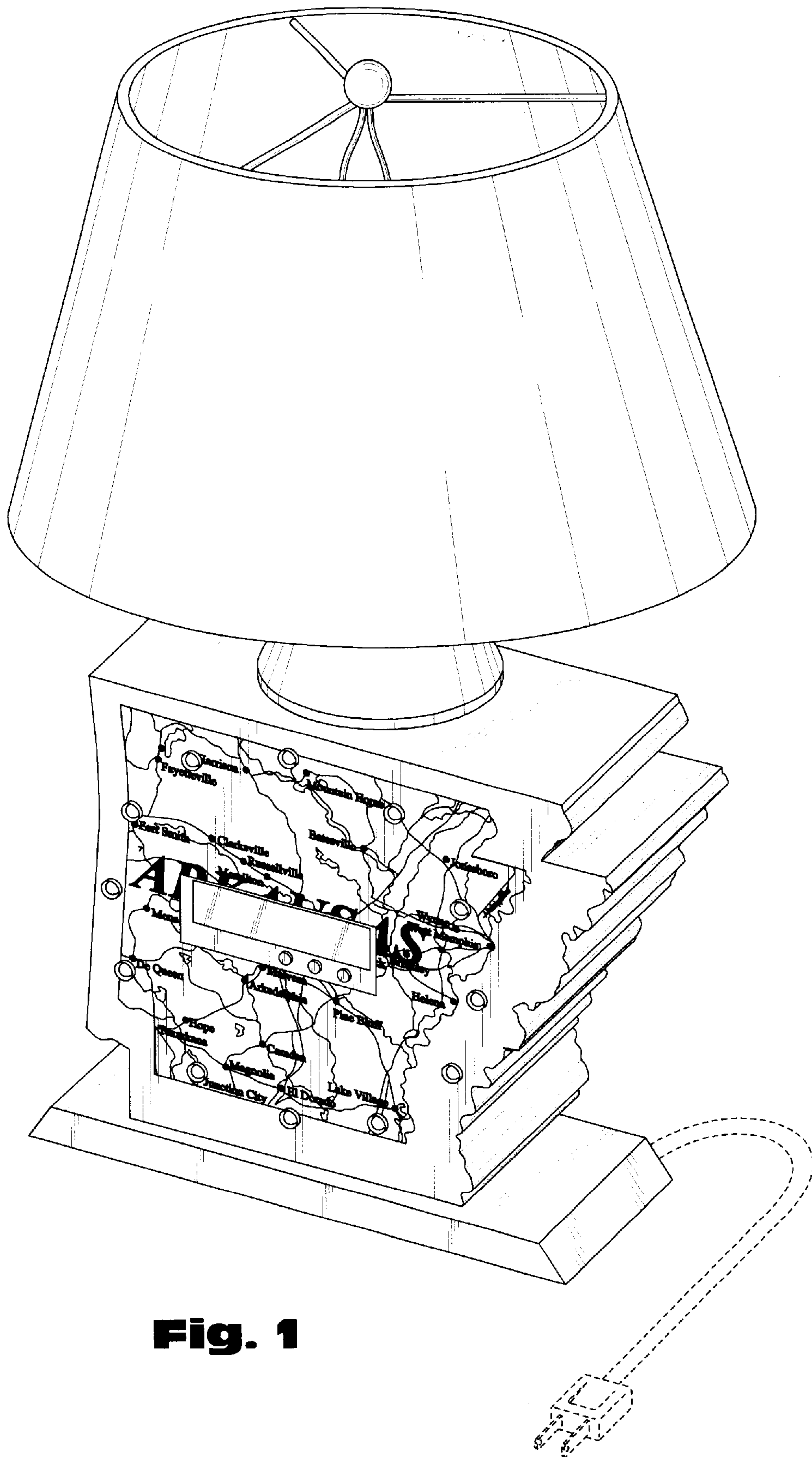


Fig. 1

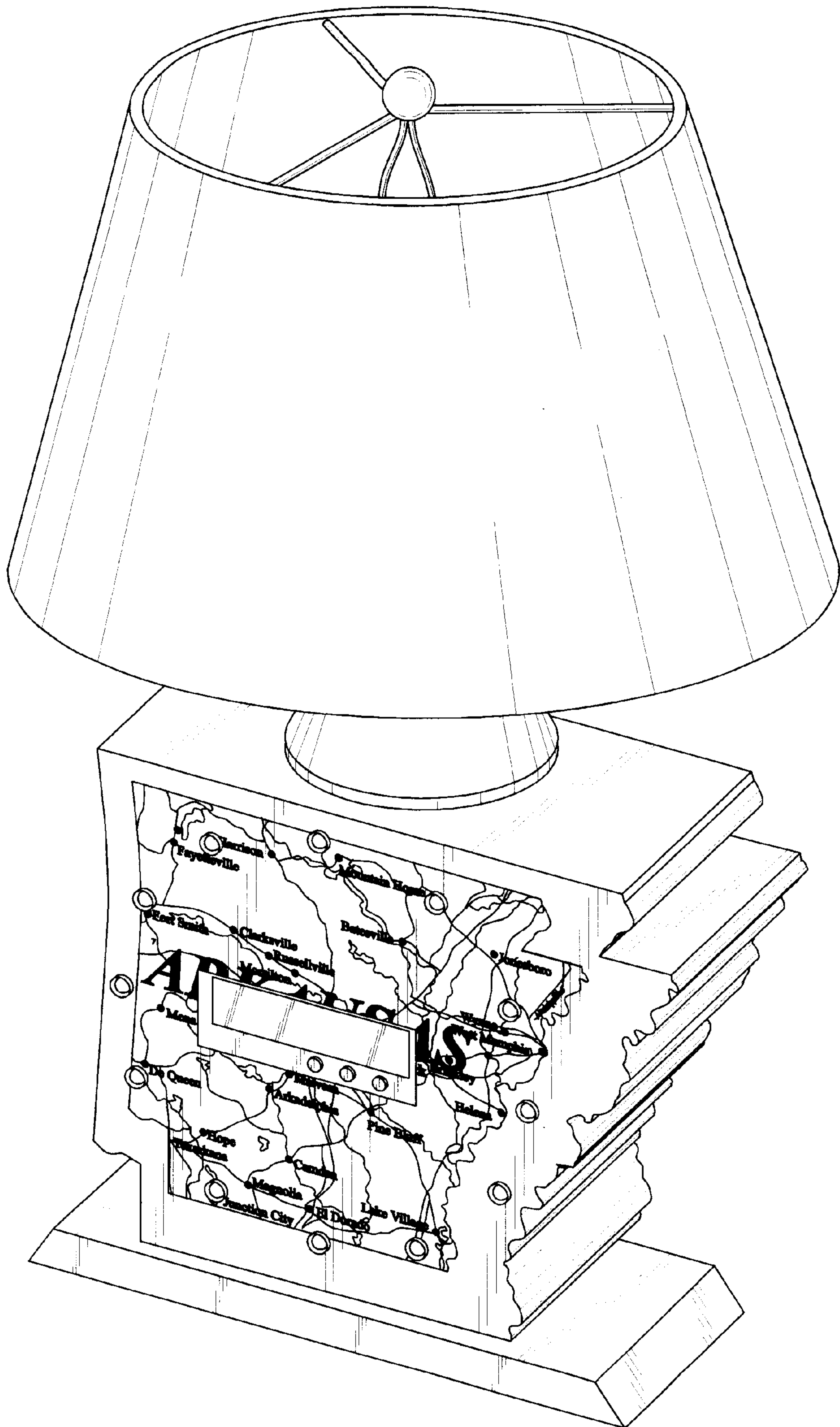


Fig. 2

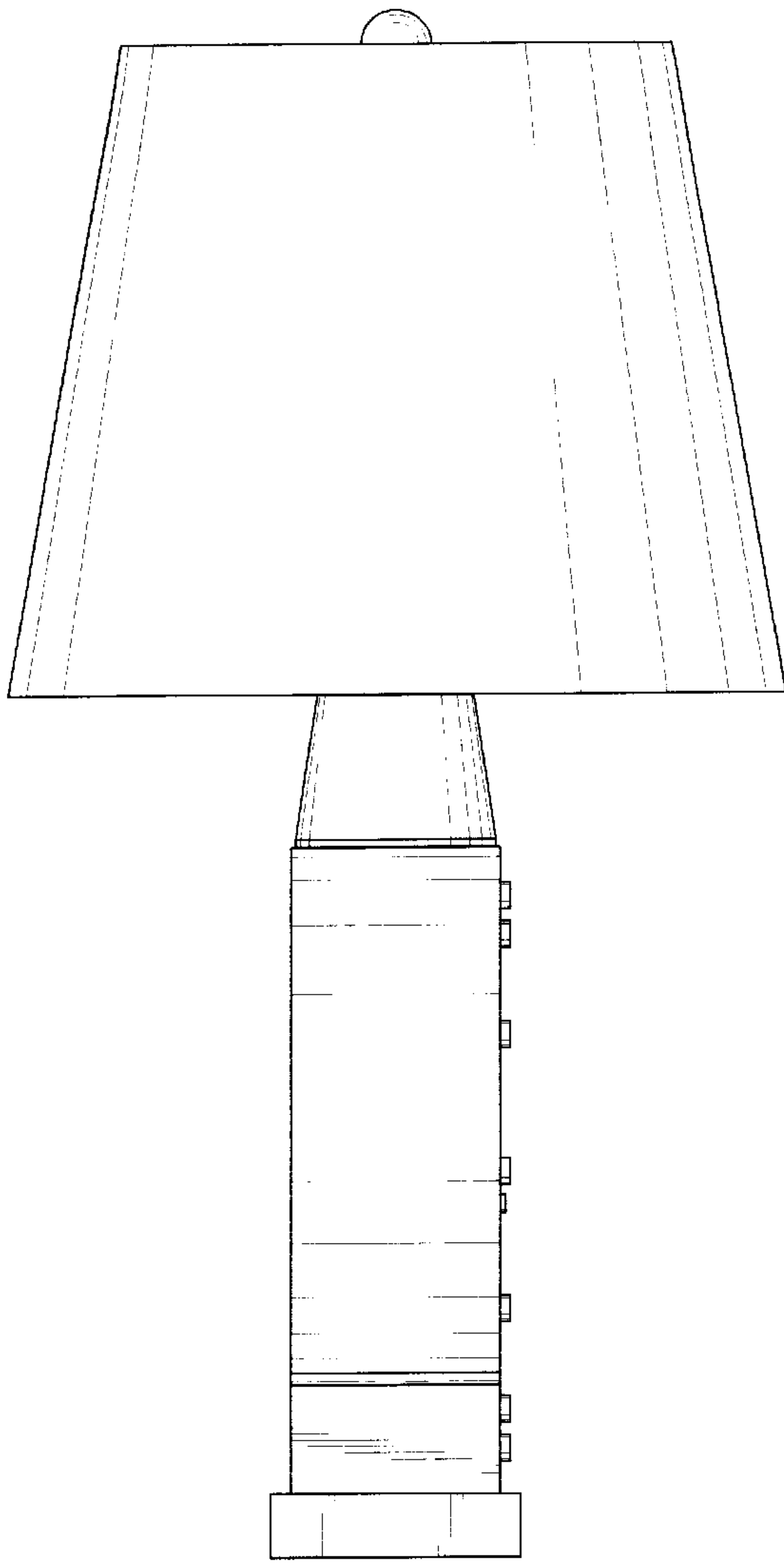


Fig. 3

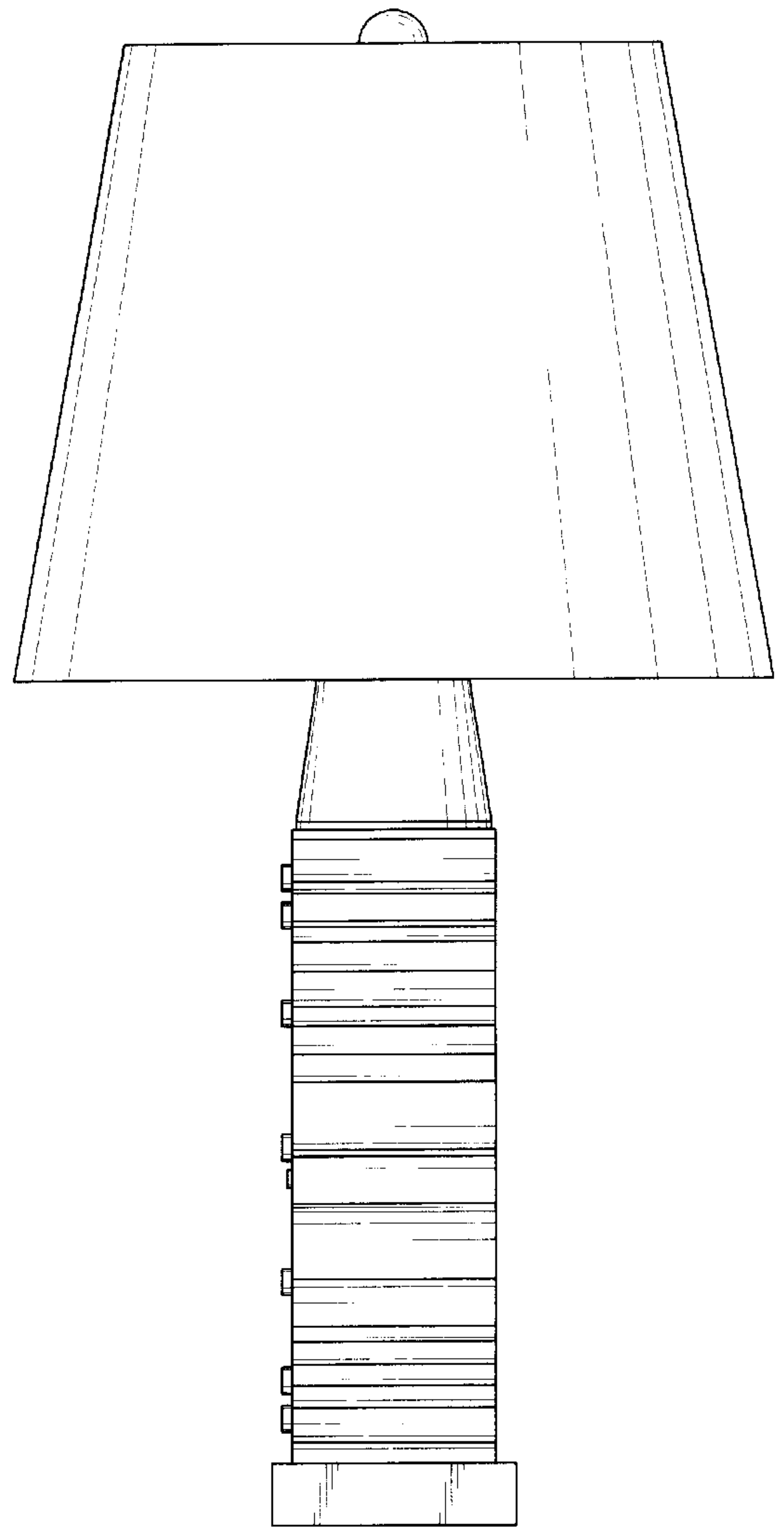


Fig. 4

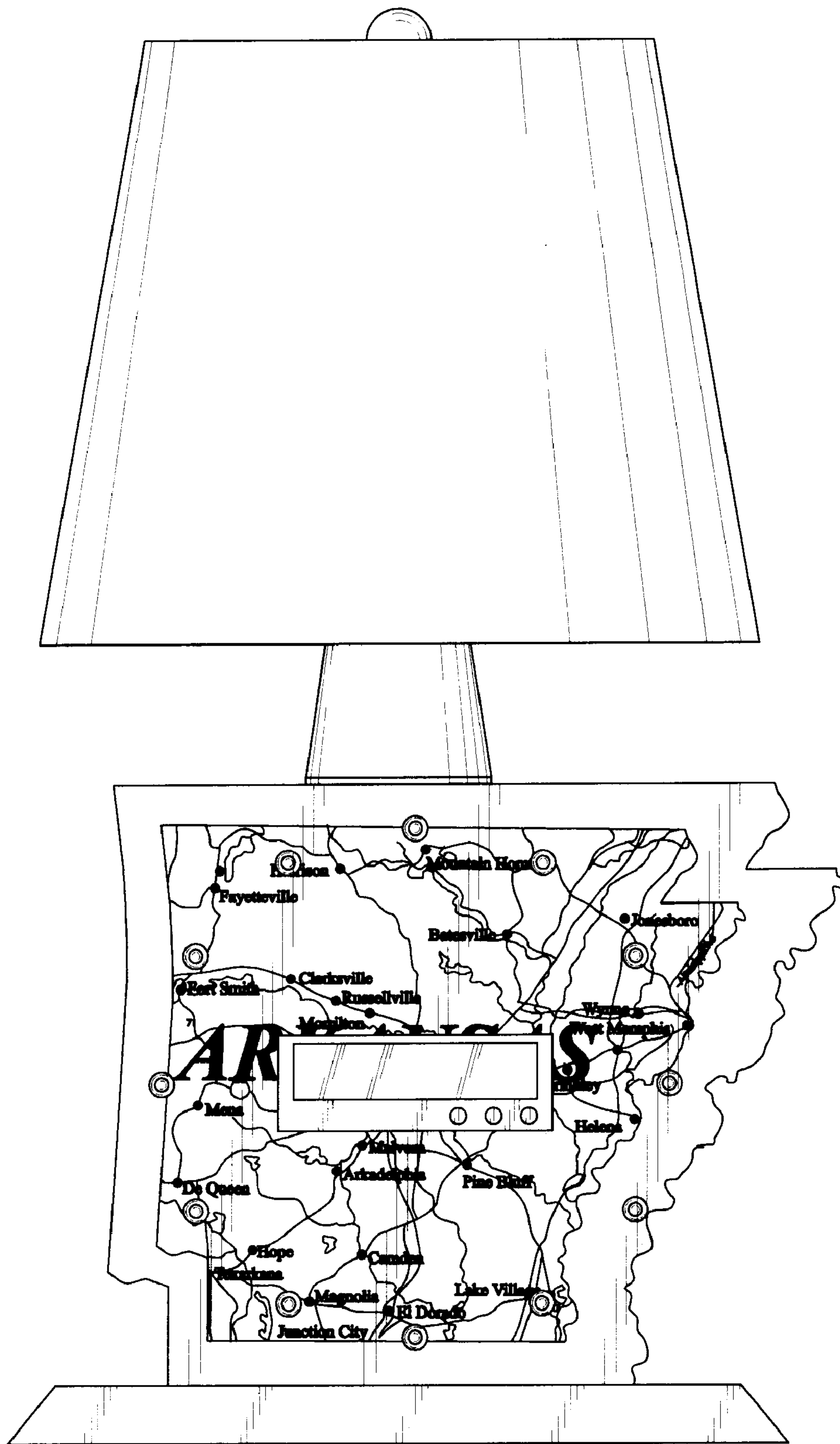


Fig. 5

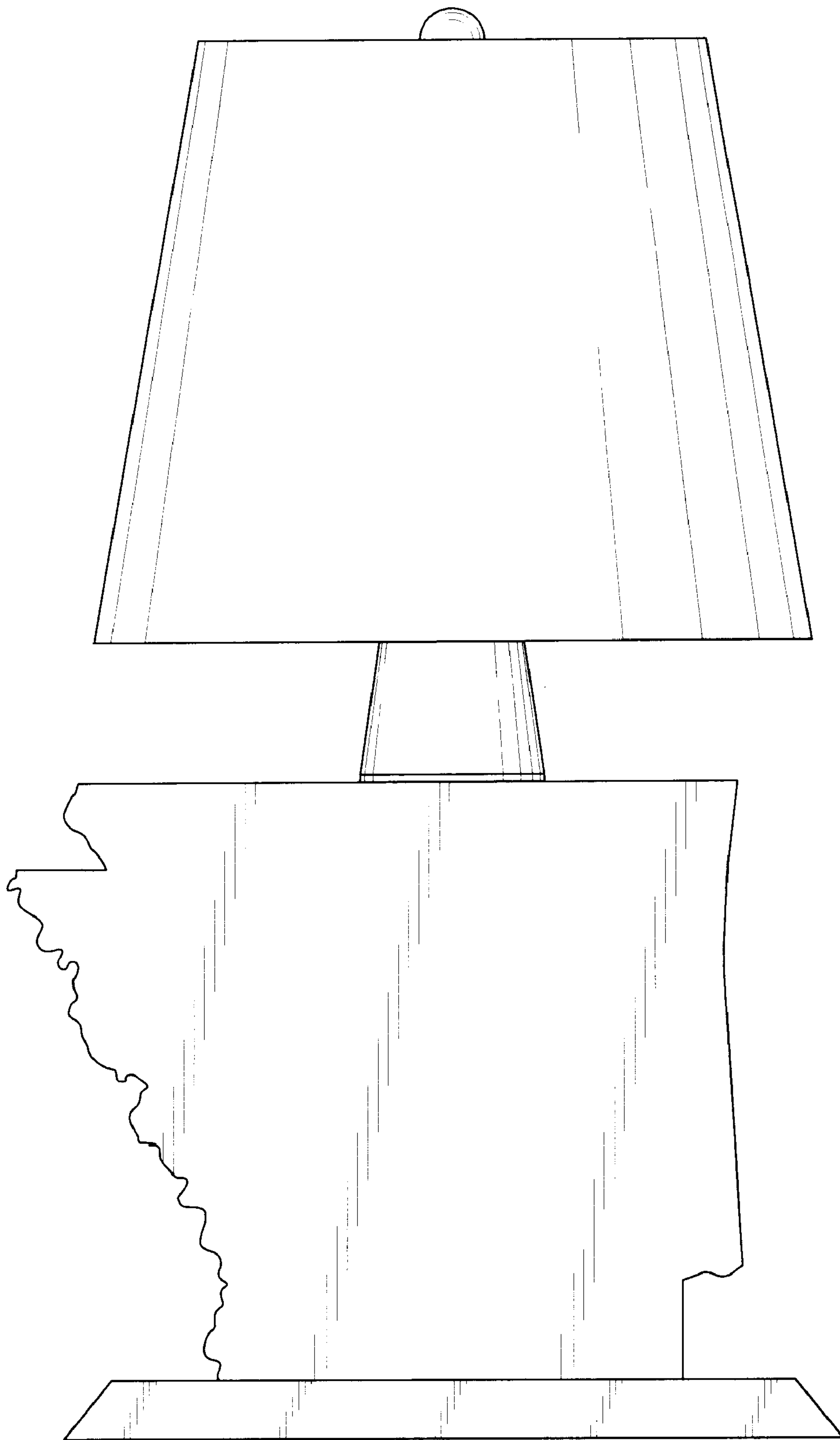


Fig. 6

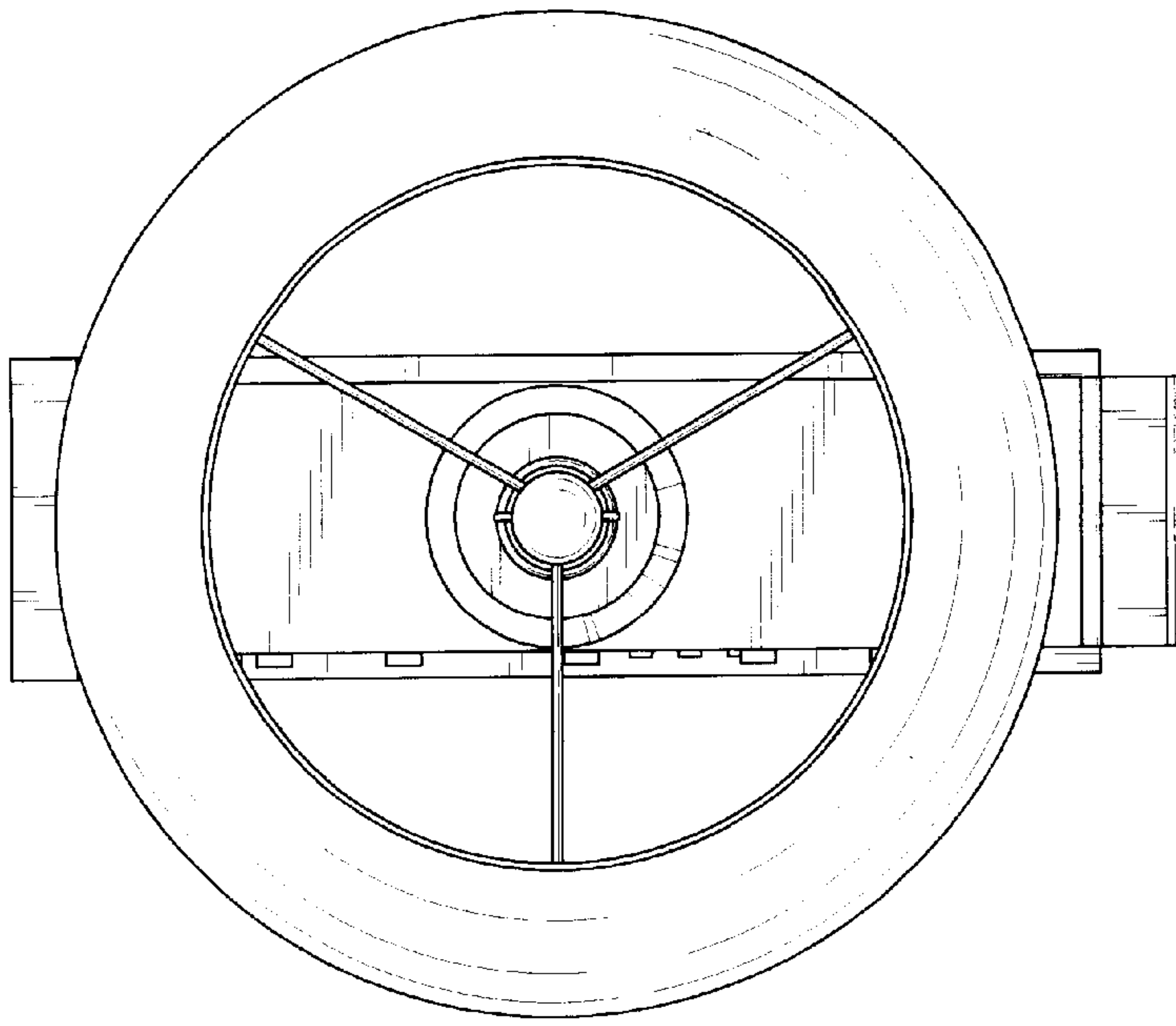


Fig. 7

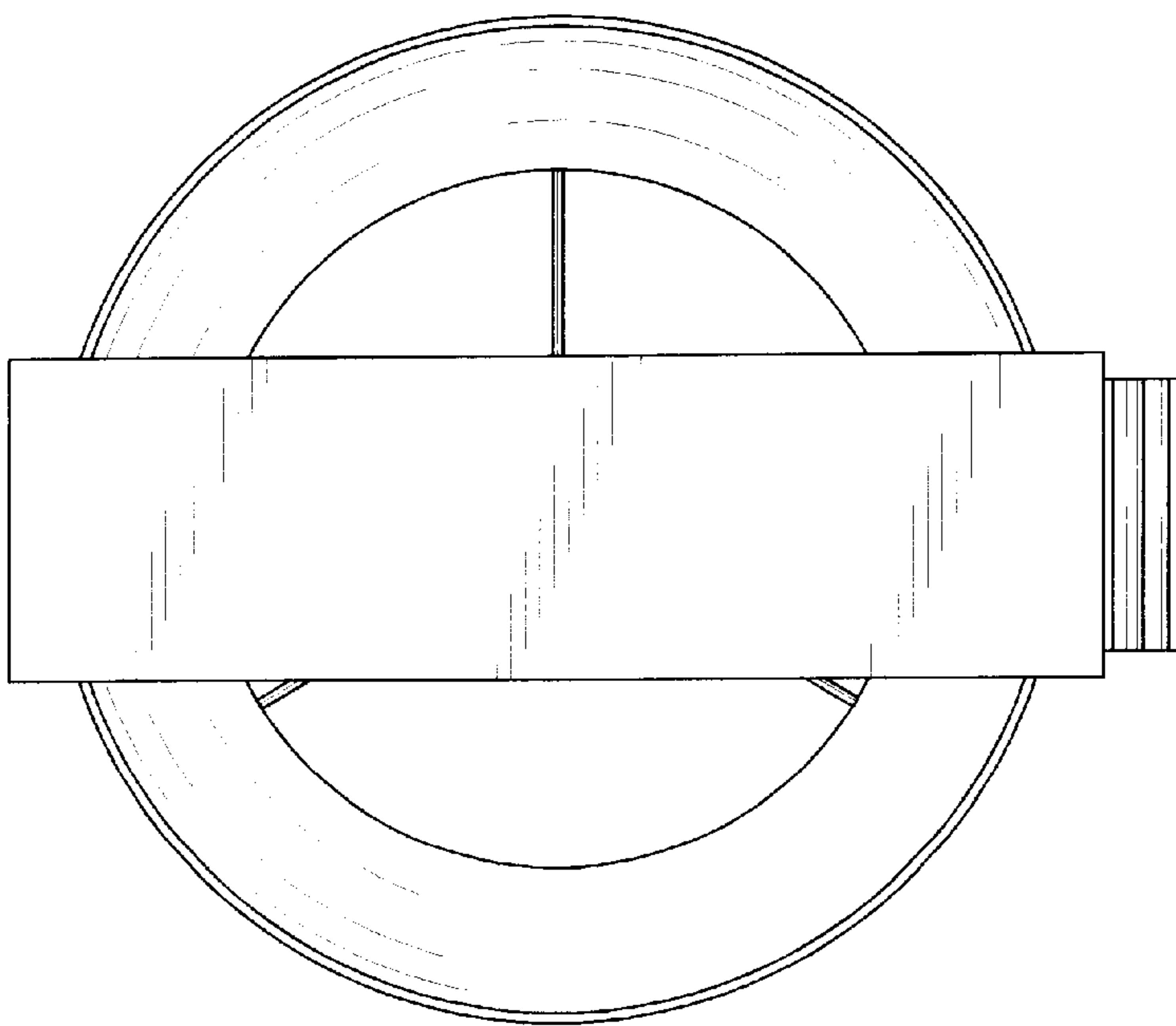


Fig. 8