



US00D435927S

(12) **United States Design Patent**
Sonnenfeldt

(10) **Patent No.:** **US D435,927 S**

(45) **Date of Patent:** **** Jan. 2, 2001**

(54) **SELF-CONTAINED SOLAR POWERED LIGHTING UNIT**

(75) **Inventor:** **Richard W. Sonnenfeldt**, Port Washington, NY (US)

(73) **Assignee:** **Solar Outdoor Lighting, Inc.**, Palm City, FL (US)

(**) **Term:** **14 Years**

(21) **Appl. No.:** **29/103,711**

(22) **Filed:** **Apr. 20, 1999**

(51) **LOC (7) Cl.** **26-05**

(52) **U.S. Cl.** **D26/67**

(58) **Field of Search** D26/24, 67-71;
136/244, 246; 362/153.1, 183, 431, 297,
310, 311, 362; 429/9

(56) **References Cited**

U.S. PATENT DOCUMENTS

- D. 291,926 * 9/1987 Schlepp D26/67
- D. 424,729 * 5/2000 Sonnenfeldt D26/67
- 4,275,525 * 6/1981 Geisler et al. 136/244
- 5,065,291 * 11/1991 Frost et al. 362/431 X

* cited by examiner

Primary Examiner—Alan P. Douglas

Assistant Examiner—Linda Brooks

(74) *Attorney, Agent, or Firm*—Gifford, Krass, Groh, Sprinkle, Anderson & Citkowski, P.C.

(57) **CLAIM**

I claim the ornamental design for a self-contained solar powered lighting unit, as shown and described.

DESCRIPTION

FIG. 1 is a perspective view of the self-contained solar powered lighting unit embodying my new design, it being understood that a portion of the support post being shown therein in phantom outline is not an element of the design;

FIG. 2 is a front elevational view of FIG. 1;

FIG. 3 is a top plan view of FIG. 1;

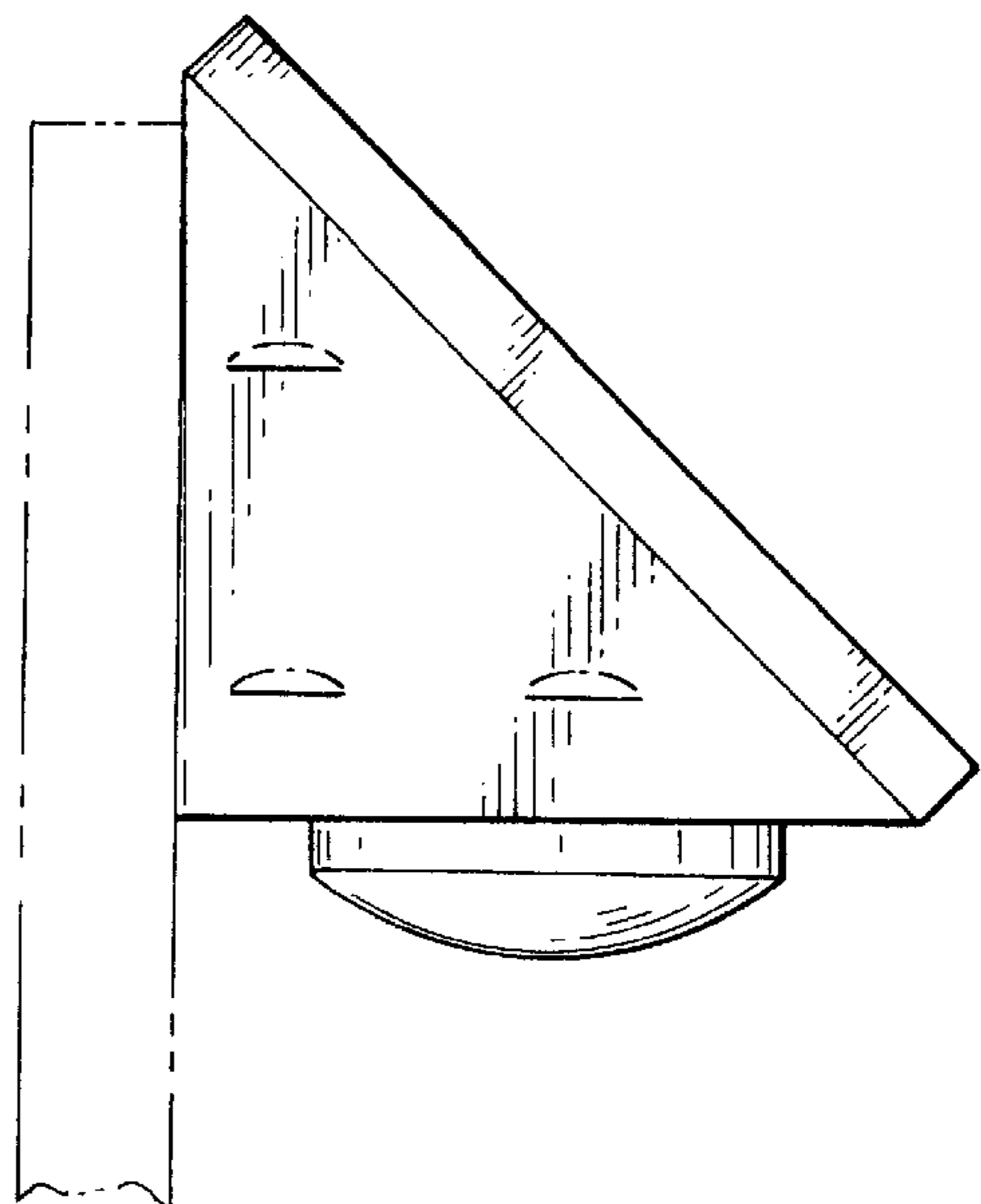
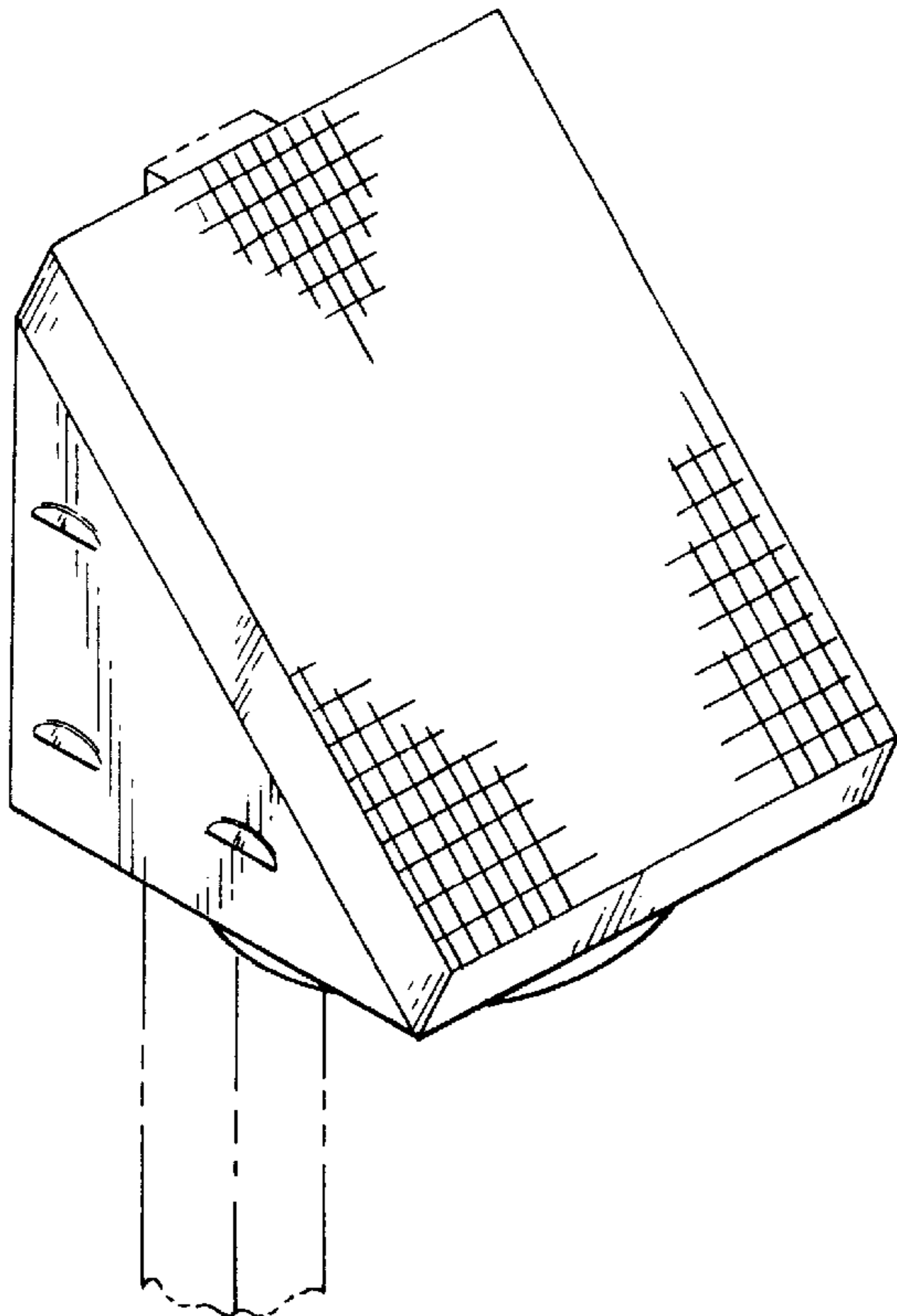
FIG. 4 is a right side elevational view of FIG. 1, it being understood that the left side elevational view is a mirror image;

FIG. 5 is a rear elevational view of FIG. 1; and,

FIG. 6 is a bottom plan view of FIG. 1.

The grid system partially shown in FIGS. 1-3 extends uniformly across the entire surface where shown.

1 Claim, 2 Drawing Sheets



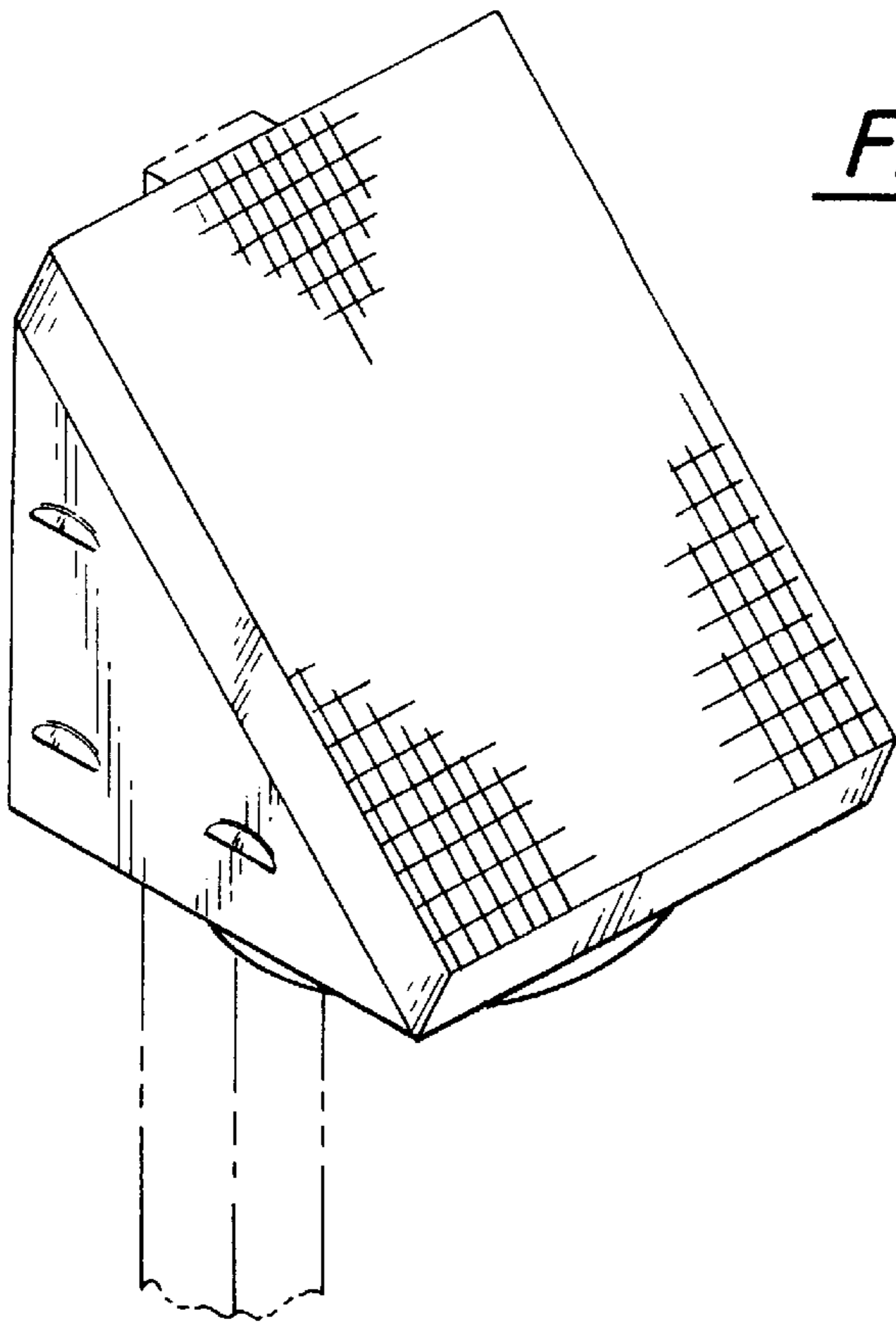


FIG-1

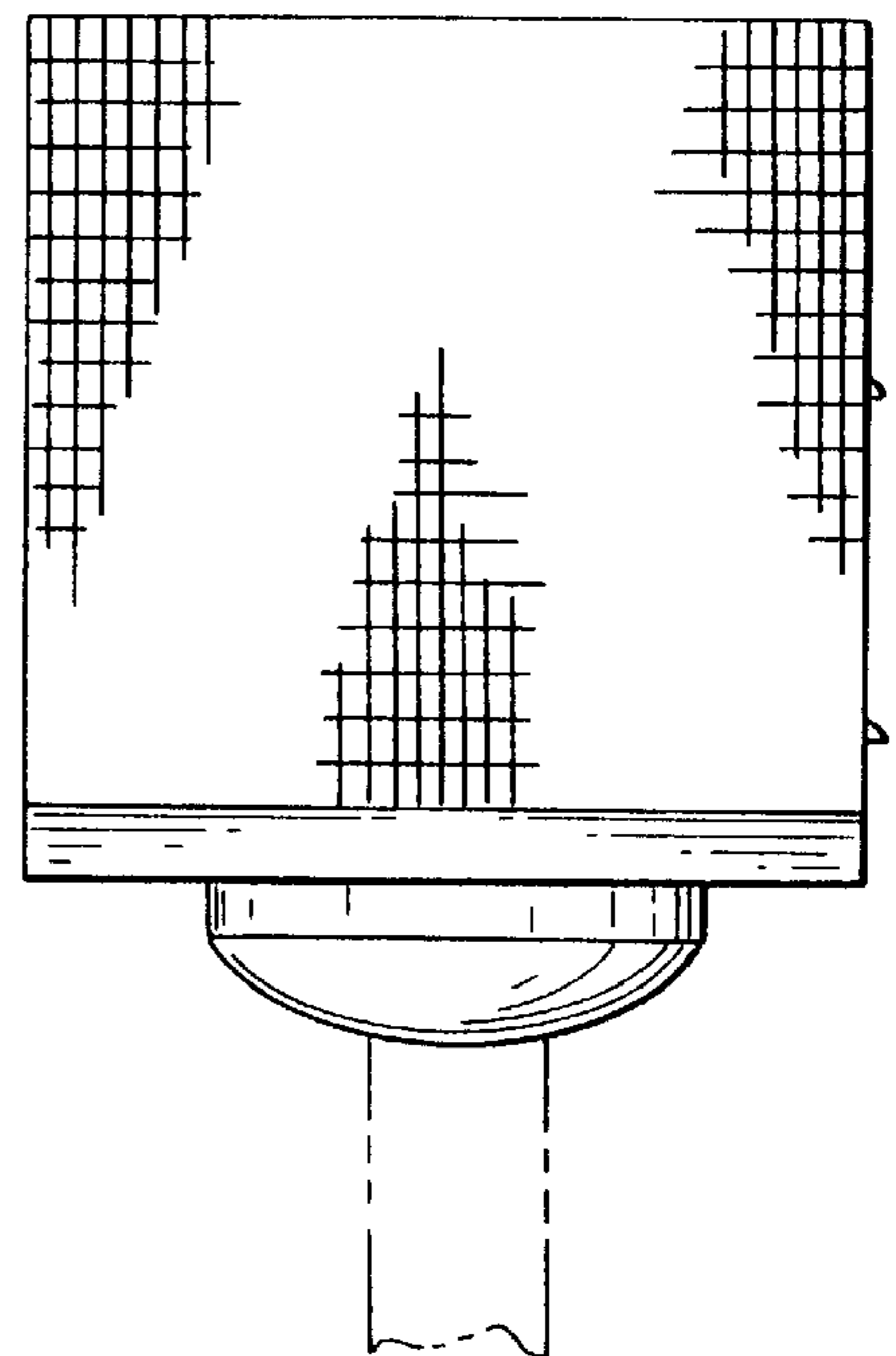


FIG-2

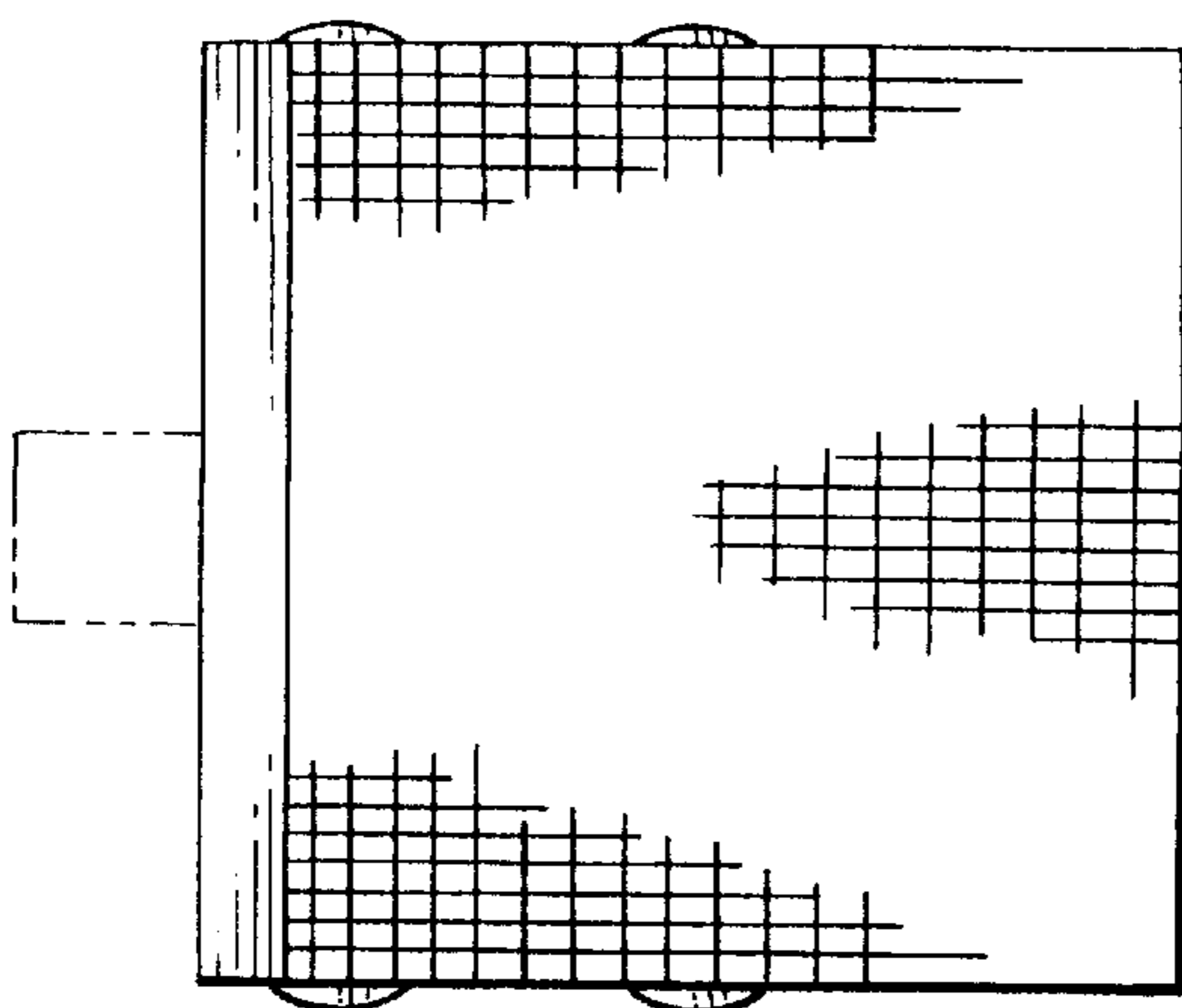


FIG-3

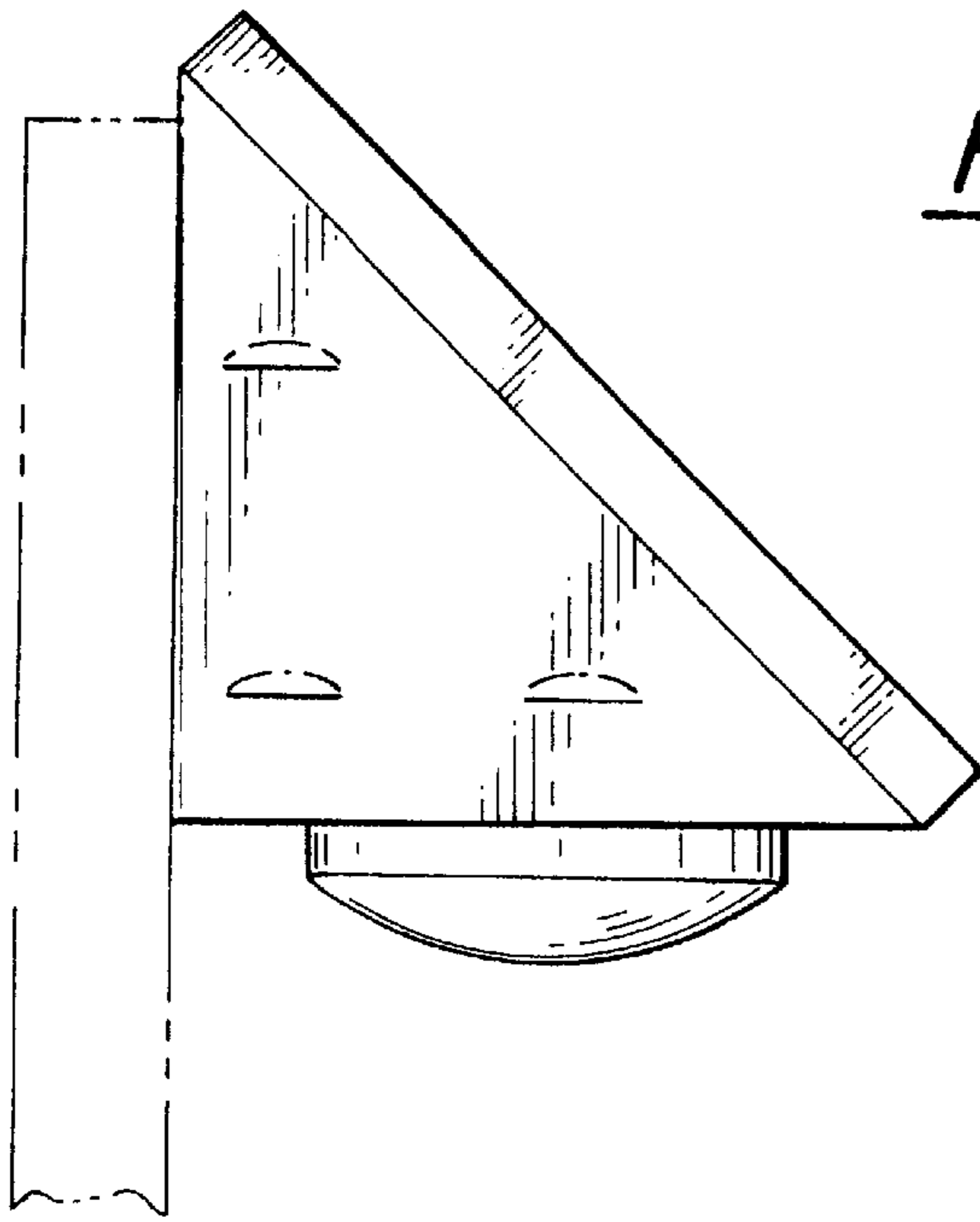


FIG-4

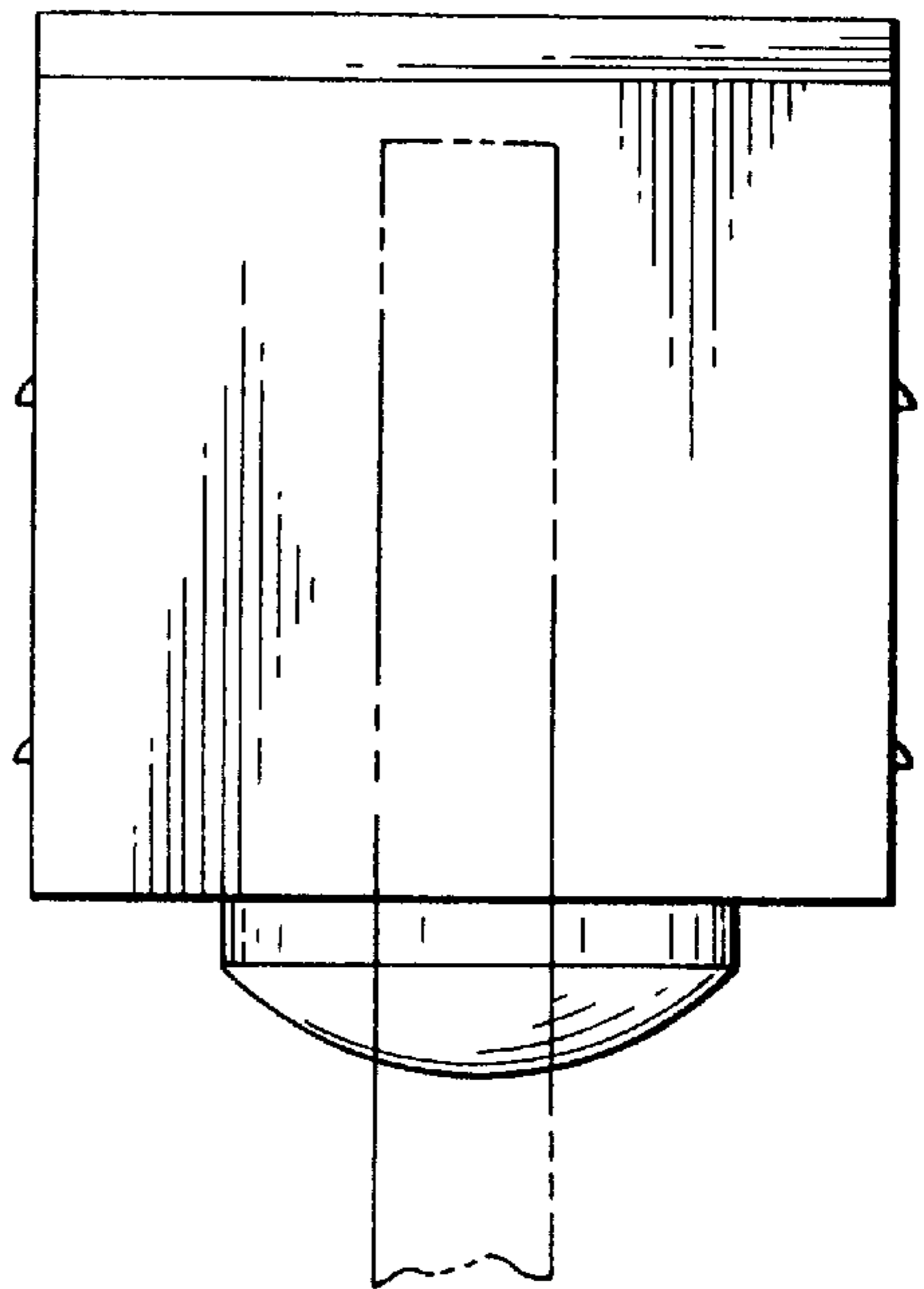


FIG-5

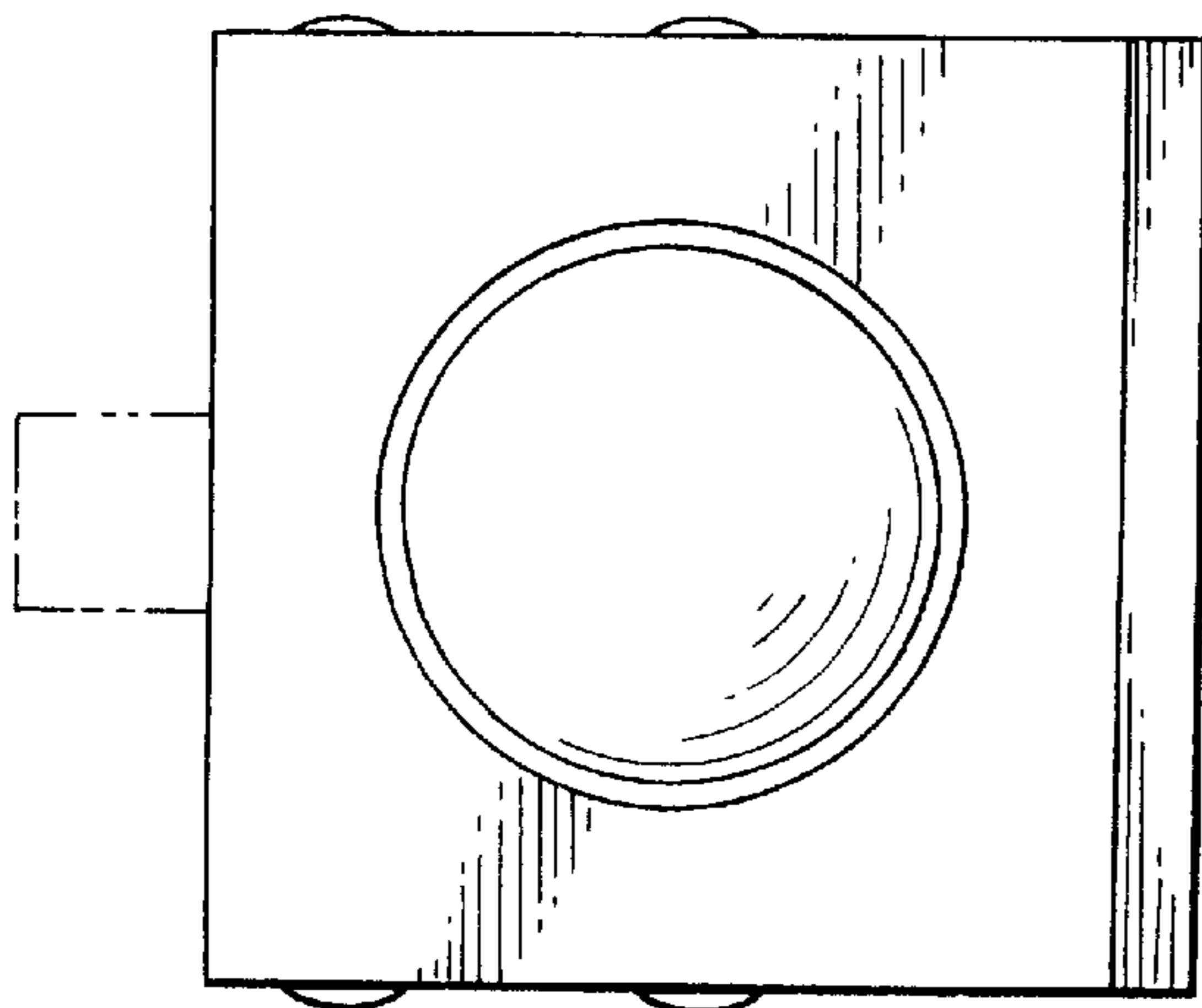


FIG-6